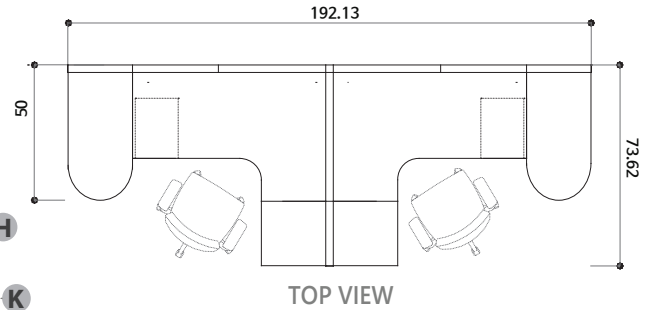


SET MODEL# INSW504

Typical Workstation



3D Layout



*The color code on the image:
 Upper Fabric : D1-005
 Lower Fabric : D1-014
 Frame : silver
 Desk Surface : MAH(Mahogany)
 *The color may differ from the actual color.

Part List

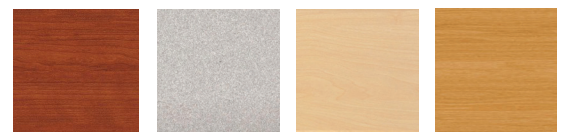
KEY	ITEM#	DESCRIPTION	DESCRIPTION	QTY	UOM
PARTITION SYSTEM					
A	TT0612AC	PARTITION SYSTEM 70T	23.62" x 2.76" x 45.67"	3	EA
B	TT0812AC	PARTITION SYSTEM 70T	31.5" x 2.76" x 45.67"	2	EA
C	TT1012AC	PARTITION SYSTEM 70T	39.37" x 2.76" x 45.67"	2	EA
D	TT1212AC	PARTITION SYSTEM 70T	47.24" x 2.76" x 45.67"	1	EA
E	P12T	T POST BAR	2.76" x 2.76" x 44.88"	1	EA
F	E12	END BAR	0" x 0" x 44.88"	2	EA
FURNITURE					
G	INSR18120608M	L-SHAPED DESK(R)	70.87" x 47.24" x 1.18"	1	EA
H	INSL18120608M	L-SHAPED DESK(L)	70.87" x 47.24" x 1.18"	1	EA
I	BYC02SDEM	STORAGE CABINET	23.62" x 23.62" x 29.13"	2	EA
J	BYD1206PM	PENINSULA DESK	47.24" x 23.62" x 29.13"	2	EA
K	BYB123M	Pencil/Box/File Pedestal	15.94" x 22.05" x 25.98"	2	EA
L	AK02Z	ONE KEY SYSTEM	0" x 0" x 0"	2	EA
BRACKETS					
	H100L	HANGING BRACKET	0" x 0" x 0"	2	EA
	H200R	HANGING BRACKET	0" x 0" x 0"	2	EA
	H500L	HANGING BRACKET	0" x 0" x 0"	1	EA
	H500R	HANGING BRACKET	0" x 0" x 0"	1	EA

*Assembly required

Specification

- SPACE REQUIREMENT : 91 SQUARE FEET
- DIMENSION : 192.13" x 73.62"
- MATERIAL : Frame (Aluminum Steel: 2.76")
 Post/Top/End Bar&Base(Aluminum Steel)
 Work Surface (HPM : High Pressure Melamine)
 Counter Top (HPM : High Pressure Melamine)
- WARRANTY : Limited Lifetime Warranty
- TERMS and CONDITION : Available
- DELIVERY TERM : FOB Origin

HPM COLOR OPTION :



BHY Brown Cherry MGY Mid Gray MAP Maple BCH Beech



MAH Mahogany WAL Walnut VWAL Dark Walnut

*Partition color : Available upon request.



BIF New York Inc.

IGSA Schedule : GS-28F-0041T

Business Size : Small,SBA,SDB,MBE

Unique Entity ID : JW6HL7DTFX75

BPA : N00178-17-A-0008

IT : 201-933-7777

IF : 201-933-6261

FEDERAL TAX ID : 13-4135154

E : info@bifnewyork.com

CAGE CODE : 3A0J5

Website : www.bifnewyork.com

ID&B : 05-530-1951

