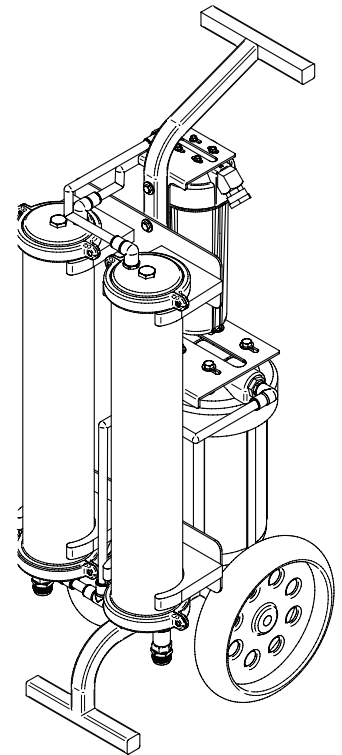
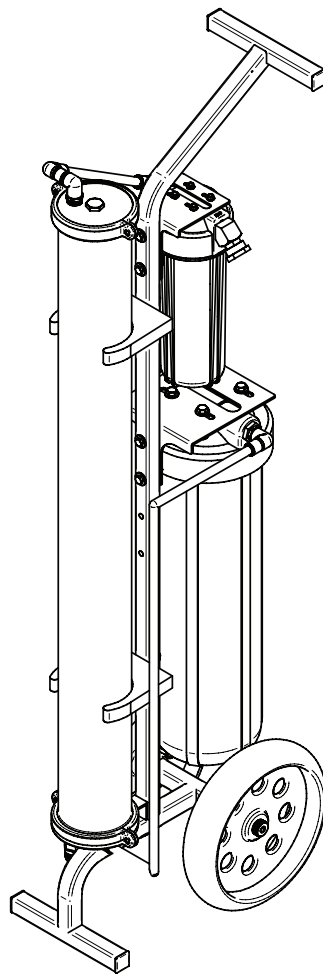
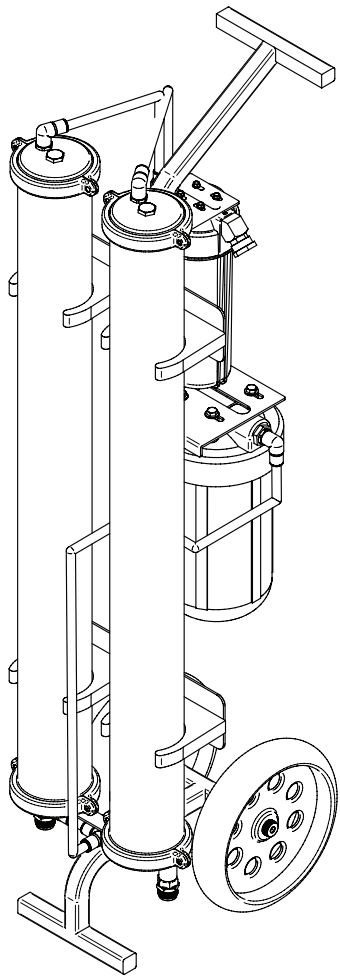




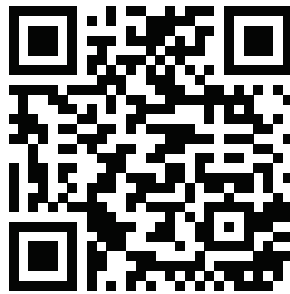
XERO Multi Stage Operations Manual





System Info, Troubleshooting, & Replacement Parts

**SCAN FOR DETAILED INFORMATION ON
OPERATION, MAINTENANCE & REPLACEMENT PARTS**

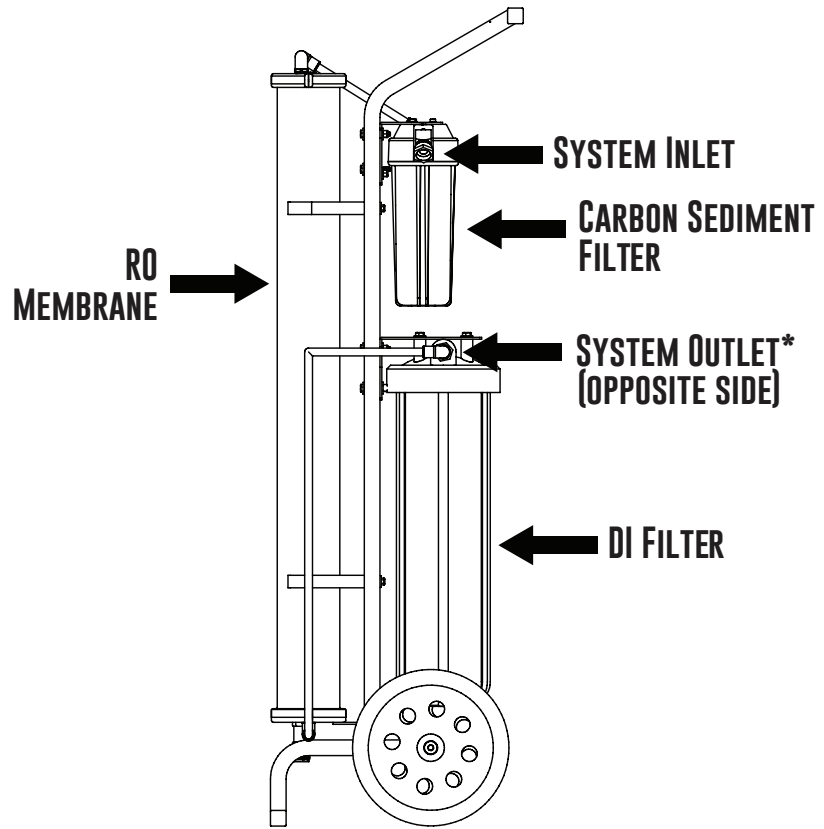


WINDOWCLEANER.COM/XERO-SYSTEMS

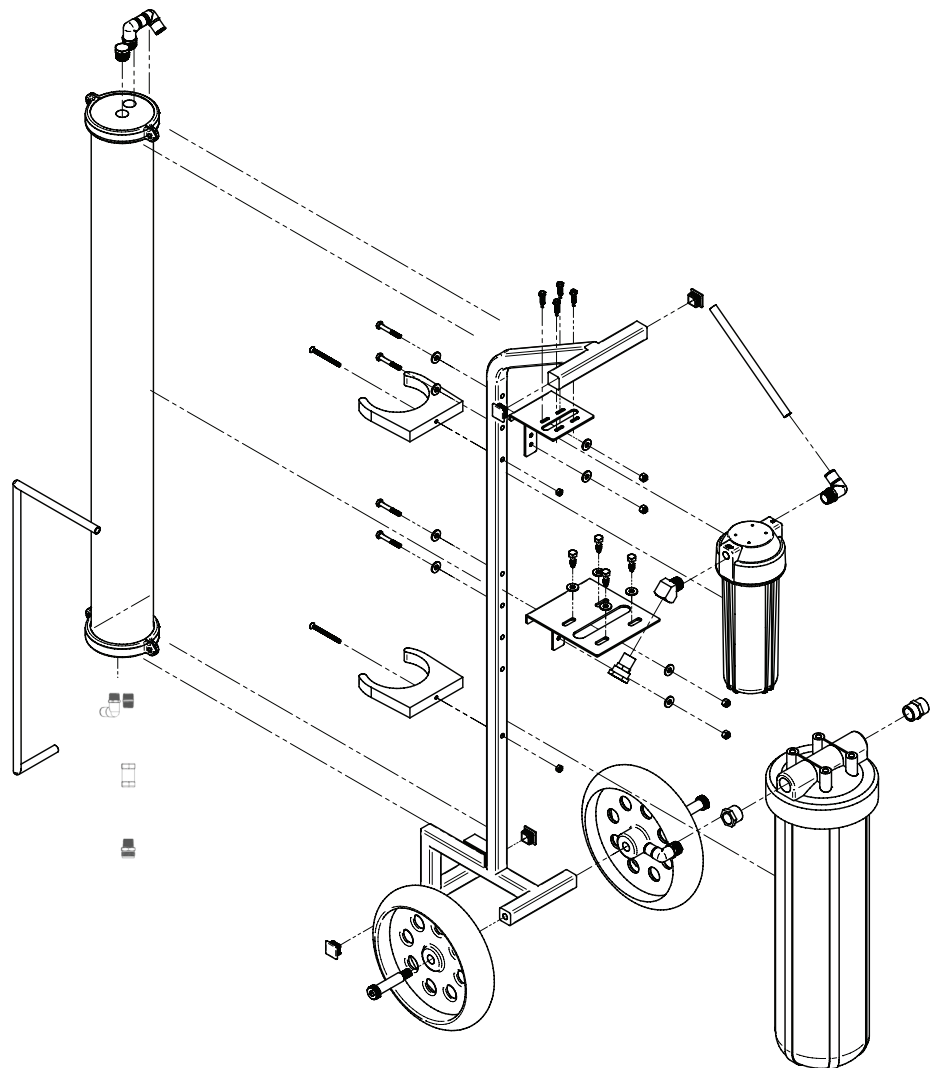
Need Help? Got questions?
Feel free to call!

862.266.0677

System



Exploded View



What's Included:

Extras

- Qty. 1 - Large Filter Wrench
- Qty. 1 - Small Filter Wrench
- Qty. 1 - 26" Waste Water Discharge Hose
- Qty. 1 - Magic Lube-o-ring Lubricant
- Qty. 1 - TDS Meter
- Qty. 1 - RO Guardian (qty 2. with XPR Max)

Production Rates:

XPR: .5 gpm

Max: 1 gpm

Atom: .5 pm

Before Use: *(Important!)*

Membrane Saturation

Run water into the system for 10 minutes and leave water in the system to saturate the RO/RO's. Allow the membrane to saturate for up to 12 hours for the best results.

Getting Hooked Up

Connect a standard garden hose to the inlet of the clear pre-filter (brass female swivel).

Connect garden hose threaded hose, or fitting to the outlet of the 10" DI housing. Then connect to your water fed pole tubing to deliver pure water to the brush head. There are no valves to open or close, in a few moments the system will pressurize and begin creating pure water.

How & When to Change Filters

Carbon Pre-Filter

- When a clog or significant slow of flow is noticeable
- After 5000 gallons or 2 months

DI Resin

- Resin is changed as needed. Use supplied TDS meter to test the water. If a reading over 010 ppm is displayed the resin should be changed, (lubricate o-ring)
- This system uses a refillable cartridge that holds just under 1/8 of a cubic foot. Pack the cartridge tight and to the top, be sure the cartridge is replaced arrow up. (lubricate o-ring)

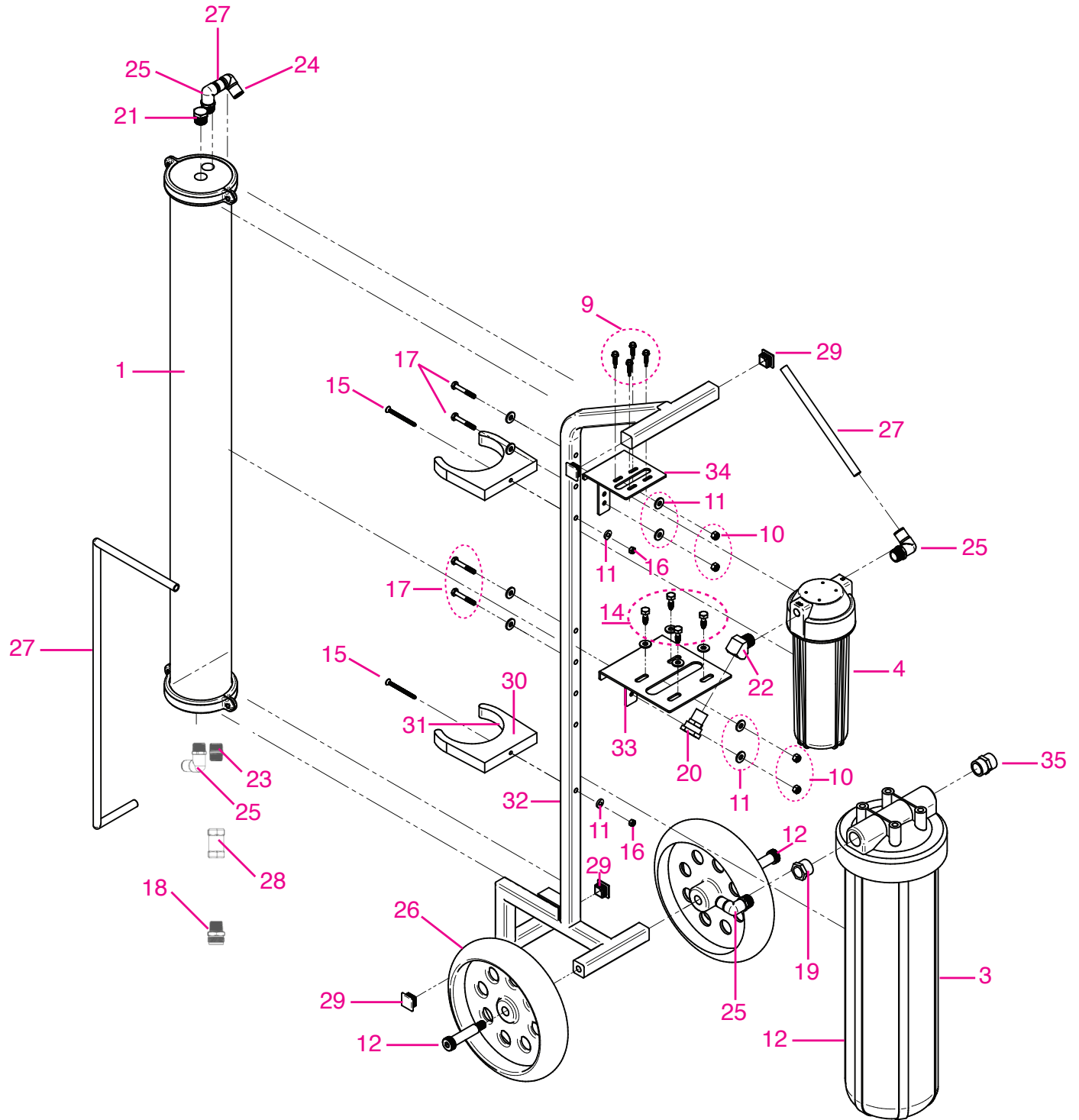
RO Membrane

- Replace when the TDS of the permeate water (pure water) is only 80% of the incoming TDS.
- This means the RO membrane is not performing at peak performance and the DI resin will become exhausted unnecessarily premature costing more money in resin replacement.

Tips

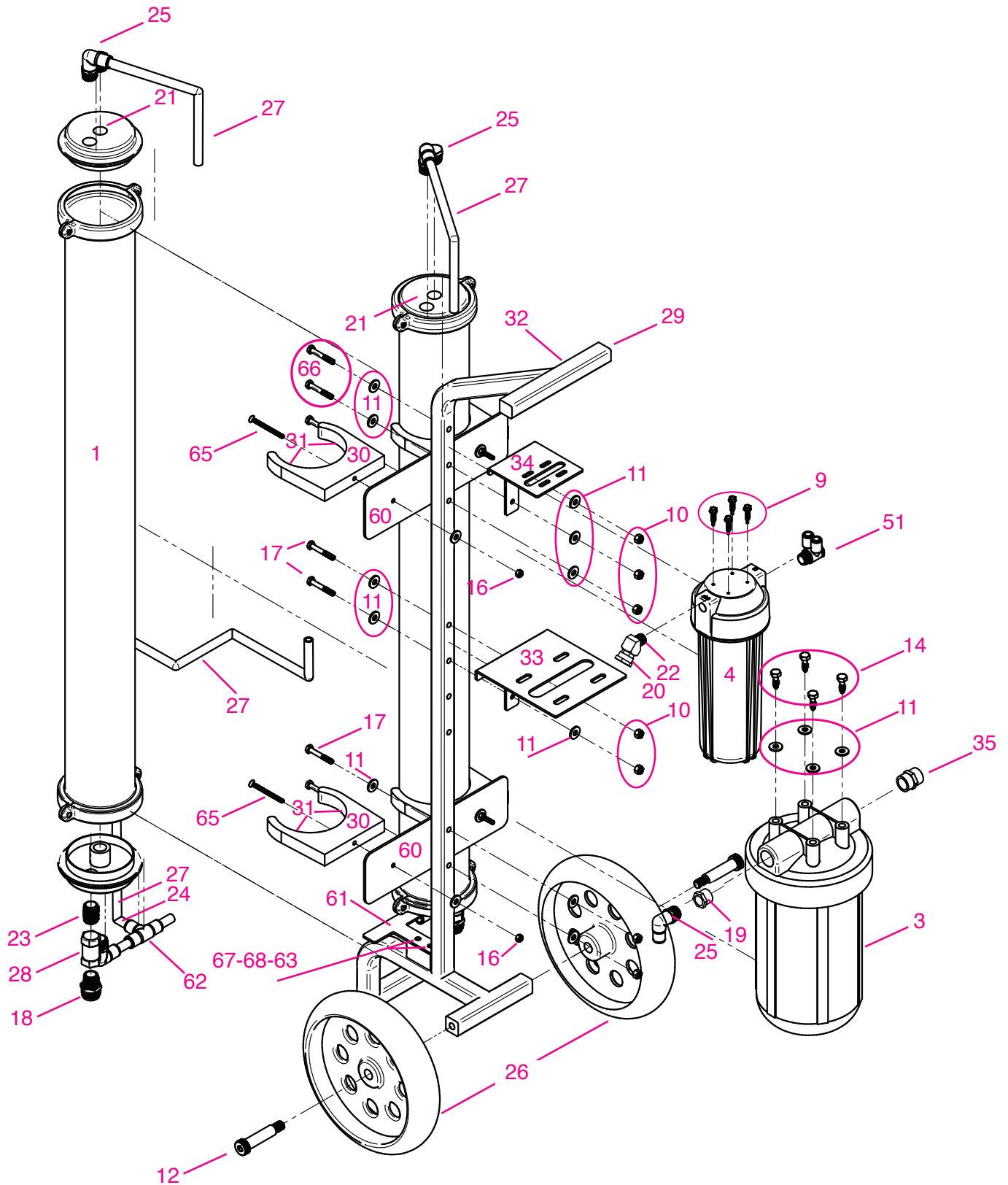
- When possible, transport and operate the system lying down.
- Upright or in the horizontal position the system will perform exactly the same.
- XPR Max should always be operated laying down.
- Using the supplied TDS meter, test the supply water and the pure water at each job.
- **Winterization / Long Term Inactivity**
If your system is out of operation for the winter season or a prolonged period of non use is anticipated, use the supplied RO Guardian to prevent bacterial growth on the RO membrane.

Exploded View (XERO Pure Revolution)



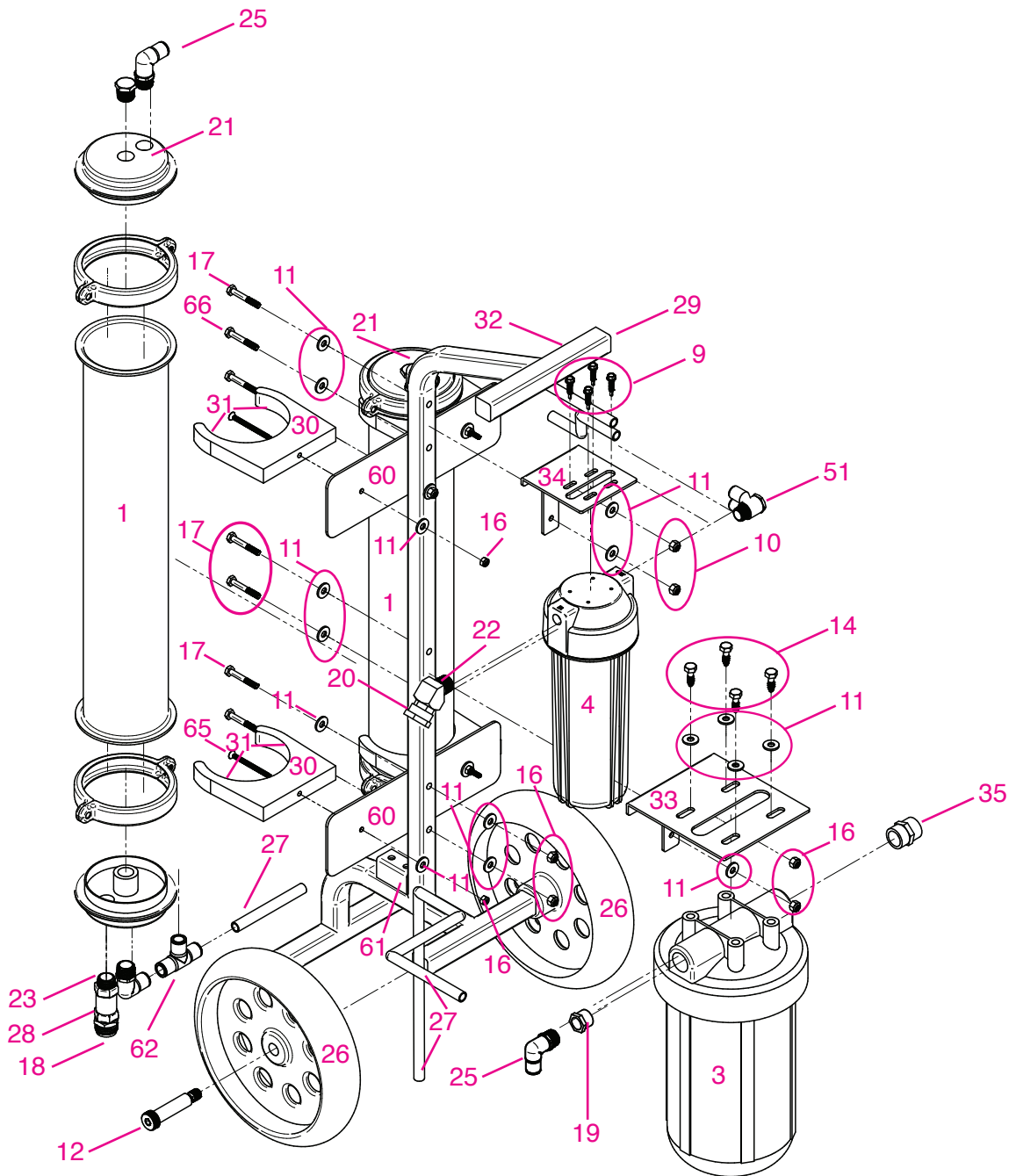
Component #	WCR -SKU	Item Name	Qty/Unit
Filters			
1	227-26-16	Membrane Housing	1
2	005-26-03	DI Cartridge	1
3	227-26-24	DI Filter Housing	1
4	227-26-22	Pre-Filter Housing	1
5	209-26-19	10 Inch Carbon Filter	1
6	227-26-14	Large Filter Wrench	1
7	227-26-13	Small Filter Wrench	1
8	022-26-25	RO Membrane	1
37		Resin	
Hardware			
9	290-24-08	Small Hex Screw	4
10	209-24-338	Nut	4
11	209-24-252	Washer	14
12	290-24-16	Shoulder Screw	2
13	290-24-07	Half Threaded Bolt	4
14	290-24-18	Large Screw	4
15	290-24-27	Phillips Machine Screw	2
16	290-24-26	Nylon Lock Nut - 10-24	2
17	209-24-284	Hex Head Bolt	4
Brass Fittings			
18	209-24-245	Waste Water Outlet	1
19	209-24-140	DI Inlet Brass Fitting	1
20	209-24-327	PreFilter Swivel Inlet	1
21	209-24-133	RO Membrain Top Cap Plug	1
22	209-24-249	PreFilter 45 Brass	1
23	209-24-34	Male Brass Nipple	1
35	290-24-23	GHM x Male NPT	1
41	209-24-333	Waste Water Hose Fitting Male	1
42	209-24-337	Waste Water Hose Fitting Female	1
Push To Fittings			
24	290-24-06	SS Push To Fit Elbow	1
25	209-24-132	SS Push To Fit Elbow 1 Side Thread	4
Frame Components			
26	290-17-01	Wheel	2
27	290-25-01	1/2 Tube	10
28	295-24-01	Waste Water Restrictor	1
29	290-24-09	Black Square Plug	4
30	290-17-02	Clamp	2
31	290-24-28	Foam Tape	1 ft
32	290-24-19	World One Frame	1
33	290-24-21	Frame - Big Filter Bracket	1
34	290-24-22	Frame - Small - Filter Bracket	1
38	209-25-23	Waste Water Hose	2
Added Items			
36	290-26-02	World Enterprises RO Guardian	1
43	161-54-01	Aladdin Magic Lube	1
44	035-24-01	TDS Meter	1

Exploded View (XERO Pure Revolution Max)



Component #	WCR -SKU	Item Name	Qty/Unit
1	227-26-16	SS Membrane Housing	2
2	209-26-26	10" DI Cartridge (not pictured)	1
3	227-26-27	10" BLUE	1
4	227-26-22	10" CLEAR	1
5	209-26-19	10" Carbon Filter (not pictured)	1
6	227-26-14	Large Filter Wrench (not pictured)	1
7	227-26-13	Small Filter Wrench (not pictured)	1
8	022-26-25	Membrane 4040 (not pictured)	2
9	290-24-52	Hex Screw #12 x 1"	4
10	209-24-338	Nut 1/4-20	6
11	209-24-252	Washer	20
12	290-24-16	Shoulder Screw	2
14	290-24-18	Large Screw 5/16 x 1"	4
16	290-24-26	Nylon Lock Nut - 10-24	4
17	209-24-284	Hex Head Bolt 1/4-20 x 1.5"	4
18	209-24-245	Waste Water Outlet 1/2"	2
19	209-24-140	DI Inlet Brass Fitting	1
20	209-24-327	PreFilter Swivel Inlet 1/2"	1
21	209-24-133	RO Membrain Top Cap Plug	2
22	209-24-249	PreFilter 45 Brass	1
23	209-24-33	Hex Nipple - 1/2" Brass	2
24	290-24-06	SS Push To Fit Elbow	1
25	209-24-132	SS Push To Fit Elbow 1 Side Thread	5
26	290-17-03	Wheel	2
27	290-25-01	Tubing	52.5
28	295-24-01	Waste Water Restrictor	2
29	290-24-09	Frame End Plugs	4
30	290-17-02	Membrane Housing Clamp	4
31	290-24-28	Foam tape for Clamps	1.5 ft
32	290-24-19	World 1 Frame	1
33	290-24-21	World 1 Big Bracket	1
34	290-24-22	World 1 Small Bracket	1
35	290-24-23	GH Male X 3/4 NPT Male	1
36	290-26-02	RO Guardian (not pictured)	2
37	290-25-04	Resin (not pictured)	
44	161-54-01	Magic Lube (not pictured)	1
45	035-24-01	TDS Meter (not pictured)	1
49	290-60-07	Manual (your looking at it ☺)	1
51	209-24-127	Push-To-Connect Dual Male Banjo - 1/2"	1
56	209-24-280	Double RO Waste Water Hose (not pictured)	1
60	209-24-373	Dual RO Flat Bracket	2
61	209-24-372	Dual RO T Bracket	1
62	209-24-440	T-Union 1/2" Push to Connect	1
63	209-24-346	Nut for T Bracket Screws - Serrated 5/16-18"	2
65	290-24-54	Phillips Machine Screw 1.5"	4
66	290-24-07	Flat Bracket Hex Head Bolt - 1/4-20 x 1.75	2
67	209-24-257	Hex Head Full Thread Bolt for T Bracket 5/16 x 1"	2
68	209-24-361	Lock Washer for T Bracket Screws 3/8"	4

Exploded View (XERO Atom)



component #	WCR-SKU	Item Name	Qty/Unit
1	227-26-15	SS Membrane Housing	2
3	227-26-26	10" BLACK	1
4	227-26-22	10" CLEAR	1
5	209-26-19	10" carbon filter (not pictured)	1
6	227-26-14	Large Wrench (not pictured)	1
7	227-26-13	Small Wrench (not pictured)	1
8	022-26-27	Membrane 4021 (not pictured)	2
9	290-24-52	Hex Screw #12 x 1"	4
10	209-24-338	Nut 1/4-20	7
11	209-24-252	Washer	18
12	290-24-16	Shoulder Screw	2
14	290-24-18	Large Screw 5/16 x 1"	4
16	290-24-26	Nylon Lock Nut - 10-24	4
17	209-24-284	Hex Head Bolt 1/4-20 x 1.5" (short)	6
18	209-24-245	Waste Water Outlet 1/2"	2
19	209-24-140	DI Inlet Brass Fitting	1
20	209-24-327	PreFilter Swivel Inlet 1/2"	1
21	209-24-133	RO Membrain Top Cap Plug	2
22	209-24-249	Pre-Filter 45 Brass	1
23	209-24-33	Hex Nipple - 1/2" Brass	2
25	209-24-132	SS Push To Fit Elbow 1 Side Thread	5
26	290-17-03	Wheel	2
27	290-25-01	Tubing	38"
28	295-24-01	Waste Water Restrictor	2
29	290-24-09	Frame End Plugs	4
30	290-17-02	Membrane Housing Clamp	4
31	290-24-28	Foam tape for Clamps	1.5
32	209-24-286	JR Frame	1
33	209-24-21	World 1 Big Bracket	1
34	290-24-22	World 1 Small Bracket	1
35	290-24-23	GH Male X 3/4 NPT Male	1
36	290-26-02	RO Guardian (not pictured)	2
44	161-54-01	Magic Lube (not pictured)	1
45	035-24-01	TDS meter (not pictured)	1
49	290-60-07	Manual (your looking at it 😊)	1
51	209-24-127	Push-To-Connect Dual Male Banjo - 1/2"	1
56	209-24-280	Double RO Waste Water Hose (not pictured)	1
60	209-24-373	Dual RO Flat Bracket	2
62	209-24-440	T-Union 1/2" Push to Connect	1
63	209-24-346	Nut for T Bracket Screws - Serrated 5/16-18	2
65	290-24-54	Phillips Machine Screw 1.5"	4
66	290-24-07	Flat Bracket Hex Head Bolt - 1/4-20 x 1.75 (long)	1
67	209-24-257	Hex Head Full Thread Bolt for T Bracket 5/16 x 1"	2
	290-25-04	Resin (not pictured)	1

Warranty Policy

Limited Warranty

Under the WCR Limited Warranty policy, the original purchaser is protected against defects in materials and workmanship that occur under ordinary and normal use, for a period of 2 years from the order date as detailed below.

2 year

All XERO products come with a 2 Year Limited Warranty. Warranty is non-transferable.

WCR will replace any product(s) or part(s) which fail to satisfy this warranty. Replacement shall be at the discretion of WCR. Please see specific warranty information below.

System parts exempt from warranty include filters and RO membranes.

This warranty does not cover damage caused by misuse, negligence or abuse, improper maintenance, damage caused by dropping, tipping over or breakage in transit or anything else beyond our control.

This warranty will only cover defective parts due to normal wear and tear which is assessed at our discretion. Rusted parts caused by chemicals are also not included in the warranty.

If you are located outside of the United States, we can cover parts and send them to you but you must pay for the shipping cost prior to us sending them out.

Warranty claims can be submitted at <https://windowcleaner.com/return>.

Serial Number _____