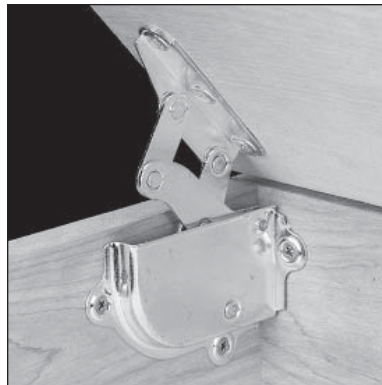




Cedar Chest/Toolbox Hinge

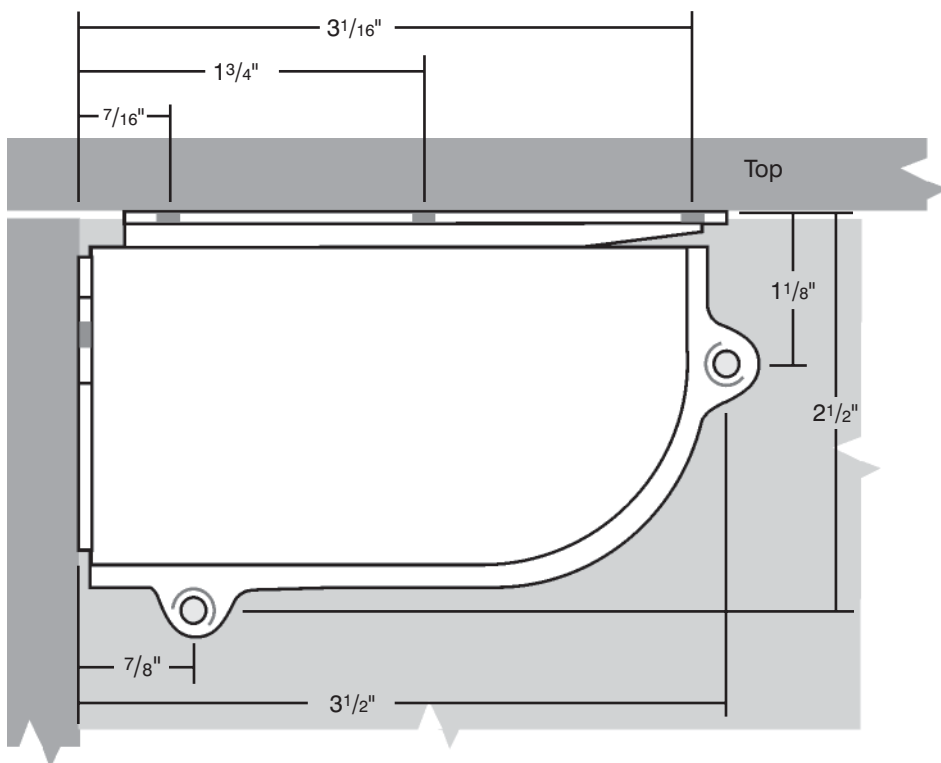
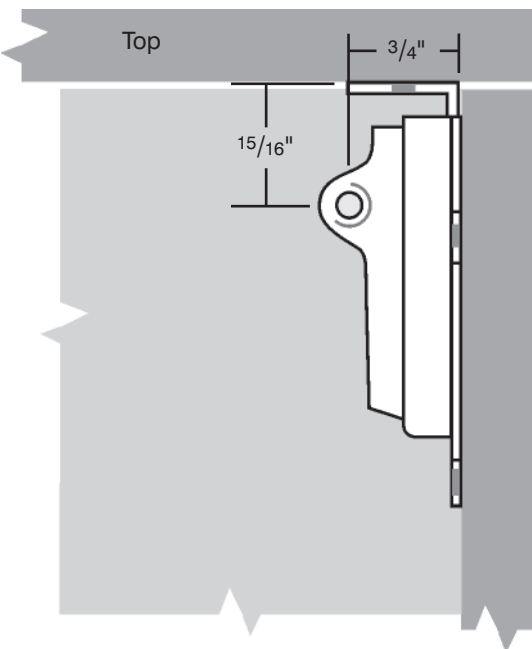
Product #141533, 141564

These hinges are easy to install and very effective as both a hinge and support on cedar chests, toolboxes or trunks. Mounts to the side of the chest and the underside of the top. Brass and antique brass plated steel construction.



Left hinge mount

Typical hinge mount, right hinge mount shown



Not to scale