



MAKSIWA®

CBC.T

Titanium Automatic Edgebander

INSTRUCTION MANUAL



Attention: Read this manual before using the machine.

Greetings,

Congratulations, you just purchased the CBC.T - Maksiwa Automatic Edgebander Titanium, which was developed with the Maksiwa's highest standards of technology and quality. Your Edgebender allows you to have the highest productivity in woodworking. Besides a great finish, the CBC.T ensures that your work pieces come always precise. It should be noted that to use this machine with maximum efficiency, you should read and understand the instructions in this manual. Visit our website to know about our launches and other product lines:

www.maksiwa.com

Index

1. Safety Regulations.....	04
1.1 Workspace.....	04
1.2 Electrical Safety.....	04
1.3 Personal Safety.....	04
1.4 Machine Safety.....	06
2. Description.....	07
2.1 Lifting and Transport.....	07
2.2 Location of Machine.....	07
2.3 Specifications.....	07
2.4 Operators Position.....	08
2.5 Components.....	09
2.6 Noise Levels.....	10
2.7 Standard Equipment.....	10
3. Installation.....	12
3.1 Basic Assembly.....	12
3.2 Assembling Detached Parts.....	13
3.3 Electrical Connections.....	13
3.4 Pneumatic Connection.....	14
3.5 Dust Collection Connection.....	14
4. Control Panel.....	15
5. Operation.....	16
5.1 Adjust in-feed Fence.....	16
5.2 Adjustment to fit the Edge Thickness.....	16
5.3 Edge Feeding.....	17
5.4 Glue Pot Unit.....	18
5.5 Pressure Rollers Unit.....	19
5.6 Front/Rear Trimming.....	20
5.7 Top/Down Trimming Unit.....	21
5.8 Buffing Unit.....	22
5.9 Panel Belt Feeder.....	23
6. Maintenance.....	24
6.1 Cleaning.....	24
6.2 Lubrication.....	24
6.3 Fuses and Overload.....	24
7. Exploded View.....	25
8. Terms of Warranty.....	79

1 Safety Regulations

Read all instructions in this manual. Failure to follow all instructions listed below may result in personal injury and equipment damage. **WARNING:** When using electrical equipment, always follow the safety precautions to reduce risk of fire, electric shock and personal injury. The manufacturer declares that they are not liable for damages to person(s) or object(s) which may be caused by failure to comply with the safety regulations.

1.1 Workspace

- Keep the work surface clean. Disorganized surfaces and areas are an invitation, for accidents in the work place.
- Do not use the saw in hazardous environments. Do not use the machine in places that are damp, wet, exposed to rain, or in the presence of flammable liquids or gases. Keep your work area well lit.
- Visitors must be kept at a safe distance from the workspace. Take the appropriate precaution by using padlocks or following the appropriate lock-out-tag procedures.

1.2 Electrical Safety

- Ensure that your power supply is in accordance with the rating of the machine. A 10% increase or decrease in voltage will cause power loss and overheating. All Maksiwa equipment is factory tested. If this Machine does not operate properly, first check the power supply.
- **CAUTION: WHEN SERVICING OR REPAIRING THE MACHINE, ONLY USE OEM PARTS.**
- The plug used for the machine must be rated for the correct voltage/Amps and compatible with the electrical outlet. Never modify the plug.
- Do not use any adapter plugs. Using the correct plug (without modifications) with the correct outlet will reduce the risk of electrical shock.

1.3 Personal Safety

- Stay alert, pay attention at what you are doing and use common sense when operating the machine. Do not use the machine when you are tired or under the influence of drugs, alcohol, or medication. If distracted, while operating the machine, it may in result in serious personal injury.



ALWAYS USE PROPER PROTECTION WHEN OPERATING THIS EQUIPMENT.

- Always wear safety glasses, face protection, safety anti-slip shoes, and ear protection to reduce personal injury.
- Always wear safety glasses, face protection, safety anti-slip shoes, and ear protection to reduce personal injury.
- Do not wear loose clothing, gloves, chains, rings, bracelets or other accessories. It is also recommended to use hair protection.
- Do not over stretch to reach. Keep balanced and feet firmly planted at all times.
- Disconnect the machine from the power supply before servicing or performing repairs.
- Reduce the risk of unintended starts by making sure that the main power switch is turned off before plugging the cord into the outlet.
- Use recommended accessories. Refer to the instruction manual to check the recommended accessories. Improper use of the accessories may cause personal injury.
- Never stand on the machine. serious accidents can occur if the machine is tilted.
- Your safety is your responsibility. Serious risks are involved when working with machinery.
- Always focus on the job, do not operate machine when tired.
- Never use in dangerous environment such as in damp, wet location, or expose under the rain.
- Never leave machine running without attention.
- Never open the protection cover while the machine is still running.
- The machine operator must not be younger than the minimum age established by legislation and must also be fully qualified to work with this machine.
- Many accidents are caused by appropriate clothing and personal objects (i.e. bracelets, watches, necklaces etc.). Make sure that buttons are securely fastened.
- Do not wear ties and tie back long hair.
- Wear approved footwear and safety glasses for your eyes at all time.
- The machine and working area around it must always be kept clean, keep well lighted and ventilation.
- The use of safety devices is obligatory and must never be removed, modified or damaged. The manufacturer declines all responsibility if safety devices are modified in any way.
- In exceptional working conditions the safety devices provided with the machine may be insufficient. It is your responsibility to make and fit the necessary additional safety devices.
- All work on electrical components must be carried out by a qualified electrician.
- All maintenance work must be carried out with the machine switched off, padlocked, the compressed air tube disconnected from the fast Snap-on fitting.
- Use only cutting tools in good condition. In any case avoid using a hammer. Screws, nuts and bolts must be tightened with a proportional strength, neither too slack nor too tight. Use only the tools given just as they are without altering their strength.

1.4 Machine Safety

- Turn off the machine, unplug the power cord, and wait until the working process stops, before performing any maintenance or adjustments to the machine.
- Do not overload the Machine, it will perform the job better and safer if used as indicated.
- Do not force the machine by performing a job for which it was not intended for.
- Inspect the machine. Keep it in a clean and neat condition for optimal performance.
- Follow the instructions on lubricating and changing accessories.
- Check the alignment of moving parts and for any damaged parts, before continuing to use the machine. A part that is damaged should be carefully examined to determine, if it is functioning properly and if it will affect the machines.
- Do not use the machine if any the switches do not work properly.
- Never leave the machine running unattended.
- Turn off the main power switch when not in use to prevent any accidents.
- Protect the power supply circuit with at least a fuse or circuit breaker. Do not attempt to operate the machine at any voltage other than the designated voltage.
- Do not use abrasives. Excessive heat generated by abrasive particles will damage the components.
- Do not move the workpiece or open the cover until the initiated job has stopped.
- **ATTENTION:** Any powder created by sanding, cutting, grinding, drilling, and other activities contains chemicals that can cause cancer, birth and other reproductive harm. Some examples of these products are: in lead; crystal silica brick, cement and other masonry products; and arsenic and chromium from chemically treated wood.
- **CAUTION:** Do not connect the machine to the power outlet until this manual is read and understood Never perform operations hands-free. Think, “How can I avoid accidents?”.
- Always wear safety goggles. Turn off the power and wait for the machine to stop and cool before starting to service or making adjustments.

2 Description

This Maksiwa Automatic Edgebander Titanium CBC.T is a master piece of engineering, packet with features that will make your job easier giving you a product finish like never before. Super steady and stable, with a stainless-steel mono-block base. All operating units are easy to be accessed through the upper protection hood. The friction-free worktable feed panels with high-precision and rollers moves the panels through effortlessly and smoothly. All stations are adjusted with a mechanical readout for reference and panel processing is fully automatic with all operating units synchronized. The Maksiwa Titanium Automatic Edgebander CBC.T is incredibly versatile, it handles panels up to 45 mm thick, automatic feed and spread glue directly on the workpiece. It will work with edge tape thickness from 0.4 to 3 mm.

2.1 Lifting and Transport

Preferably use a forklift or trans-pallet to handle transport of machine. To avoid any accidents during transport, make sure the machine is firmly secured to the fork lift with ropes or other suitable systems. The machine can be lifted with ropes, belts or slings, adequate to the machine weight, and hooked on.

2.2 Location of Machine

The machine is delivered with a thermal shrined nylon protection for transport, some parts of the machine are detached. Locate the machine in a suitable place, considering the overall dimensions of the machine, space needed for stacking, loading and offloading work-pieces leaving sufficient space for the operator. The machine base must be lay on a solid surface and well leveled. Use a water level (or other good quality level) to check the working table is leveled in both directions. Tolerance +/- 0.25mm in longitudinal direction. It is possible to fix the machine to the floor by screwing the 4 holes made on the bottom of the base.

2.3 Specifications

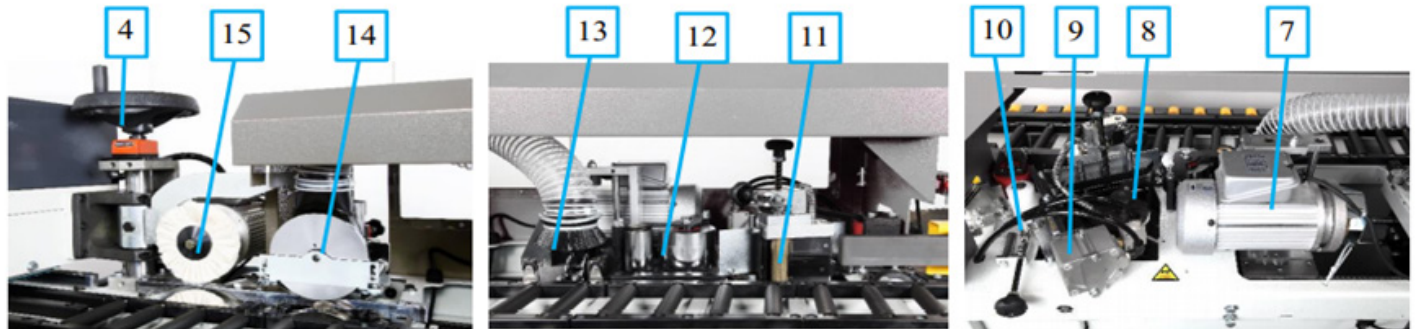
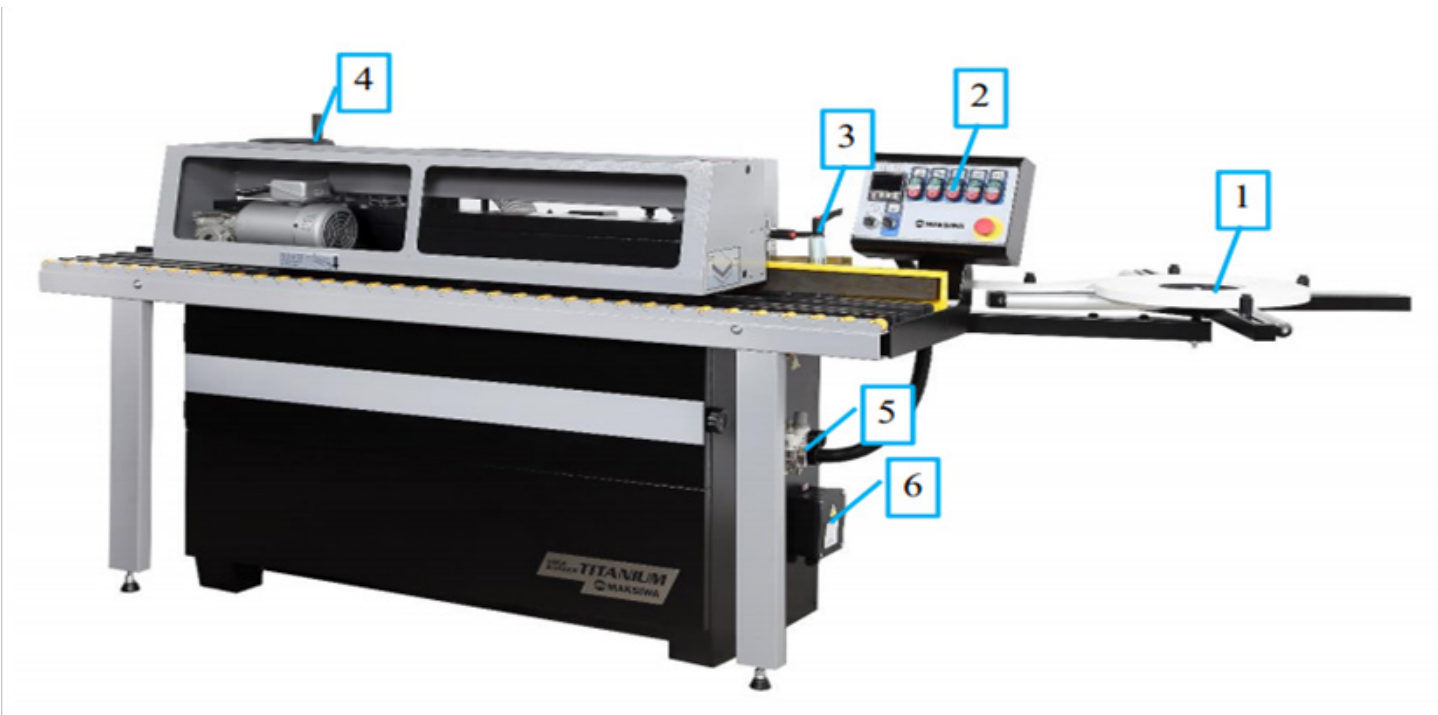
- Working table height: 850 mm
- Extensible support width: 560 mm
- Panel thickness (min/max): 8/45
- Automatic belt feeder speed: 9 mt/1'
- End trimming unit rotation speed: 12,000 RPM
- Flush trimming unit rotation speed: 12,000 RPM
- (T.C.T) cutters: Ø75mm Z4 R=2mm

- Dust collection outlet: Ø 5"
- Glue pot elements: 1,315 W
- Total power installed: 7.7 KW
- Feeding motor: 0.75 KW
- Glue & edge: 0.18 KW
- Heating elements: 5 pcs for 1.315 KW
- Heating in -feed fence: 0.4 KW
- End trimming motor: 0.22 KW
- Flush trimming motor: 0.37 KW*2 PCS
- Buffering: 0.12 x 2 - 1,200 mm - 3000 RPM
- Voltage: 380-440/50-60/3, 220-240/50-60/3
- Machine dimensions: 112" (L) x 47" (W) x 51" (H)

2.4 Operator's Position

The operator's position, can reach all operating and emergency controls with the maximum ease and practicality. The caution area in indicates the space which must be left free around the machine for cleaning purposes, maintenance and normal use.

NOTE: Pictures and illustrations in this manual are ILLUSTRATIVE only and may not be the actual color, contain the same labels or accessories, and are intended only to illustrate the technical part.

2.5 Components


- | | |
|-----------------------------------|-----------------------|
| 1. Tape coil support | 12. Pressure roller |
| 2. Control panel | 13. End trimming |
| 3. Handle for in-feed fence | 14. Top/down trimming |
| 4. Handle wheel for pressure beam | 15. Buffing unit |
| 5. RFL system | |
| 6. Electric box | |
| 7. Motor for end trimming unit | |
| 8. Glue pot | |
| 9. Guillotine cutter | |
| 10. Feeding unit | |
| 11. Glue shaft | |

2.6 Noise Levels

As per ISO3744/94-ISO 7960/95 Annex norms:

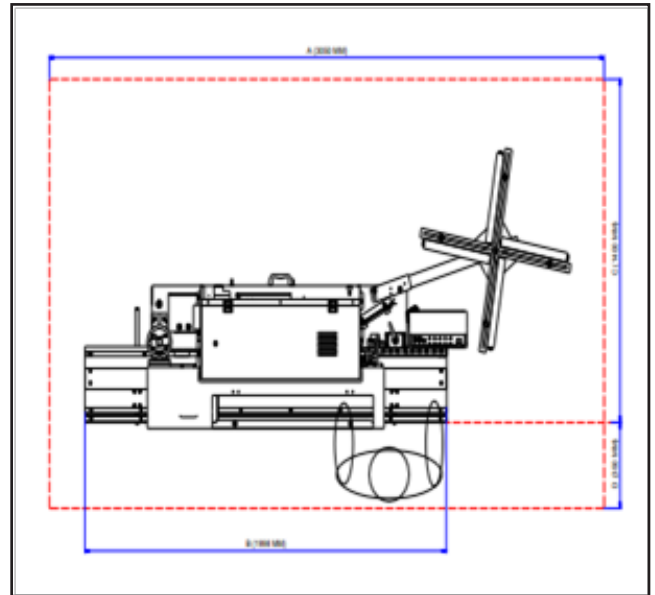
When working with dust tractor
AVG 73.6 (dB (A)), OpE 73.1 (dB (A)) OpU 73.7 (dB(A))

Description of symbols:

AVG: Medium level of acoustic pressure

OpE Level of acoustic pressure of operator's entrance place.

OpU level of acoustic pressure of operator's exit place.



2.7 Standard Equipment

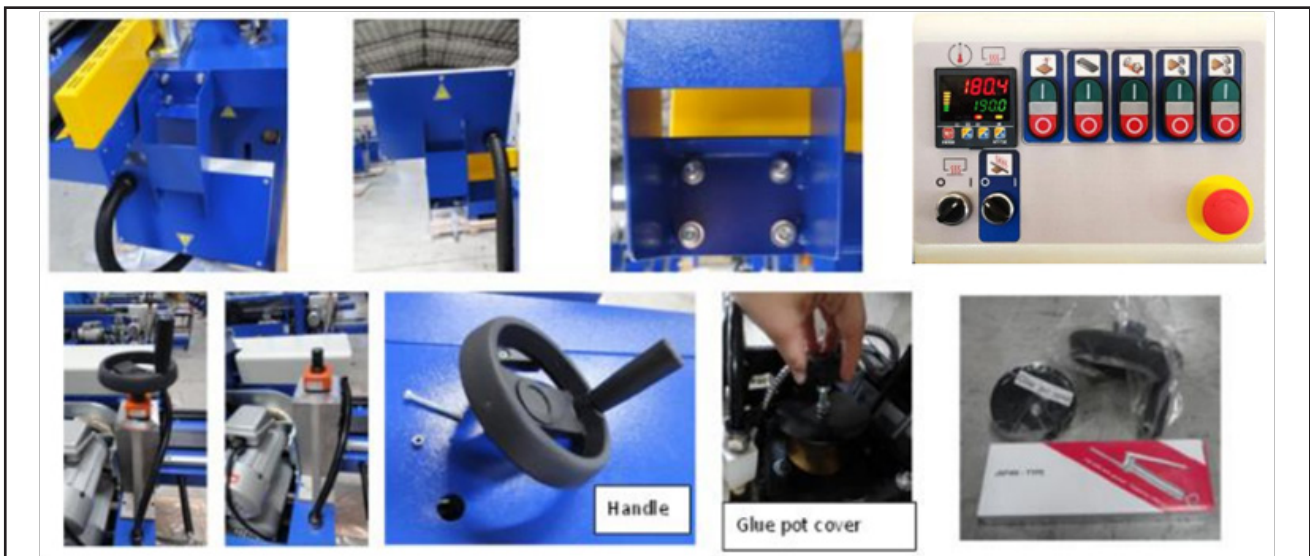
- Application of edge up from 0.4mm to 3mm thickness in coil.
- Automatic panel belt feeder.
- Numerical panel thickness indicator.
- Adjustable in-feed fence (to compensate edge thickness).
- Edge feeding by panel.
- Glue pot, Teflon coated, 5 electric heating elements and motorized glue spreader.
- 2 pressure rollers: 1st floating, large diameter, 2nd chromed.
- Automatic front/rear end trimming with circular saw blades and tracing pads.
- Flush trimming unit with copying pads (top-bottom) cutter-blocks Z4 10000 RPM with disposable cutters combined 12° bevel/radius 2mm and numerical indicators
- Working table height 850MM Extensible support width 560MM Panel thickness (min/max) 8/45 Edge thickness (min/max) 0.4~3mm / Automatic belt feeder speed 9 mt/1'
- End trimming unit rotation speed 12000 RPM.
- Flush trimming unit rotation speed 12000 RPM (T.C.T) cutters Ø75mm Z4 R=2mm
- Dust collection outlet Ø5"
- Glue pot elements 1315W
- Total power installed 7.7KW
- Feeding motor 0.75KW
- Glue & Edge 0.18kw heating elements 5pcs for 1.315kw heating in -feed fence 0.4kw end trimming motor 0.22KW flush.
- Trimming motor 0.37KW*2PCS

- Buffering 0.12x2- 1200mm-3000RPM Voltage 380-440/50-60/3, 220-240/50-60/3.
- Working table with sliding rollers and PE guide.
- Front extensible support for large panels.
- Tape coil roller support Ø800mm.
- Rear closure with centralized dust collector Ø100mm.
- Compressed air regulation unit with filter.
- Service tools (wrenches).
- Heatable in-feed fence.
- Buffing unit Copy roller discs for flush trimming Ø100mm (top-bottom).
- Due to needs of continues improvement; specifications are subject to change without prior notice.

3 Installation

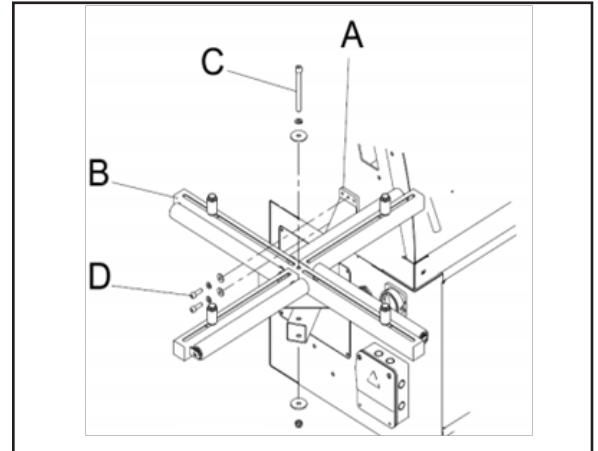
To protect the machine from damage during transportation, we assembled the control panel upside down. Please change the direction positioning it correctly. The handle was also removed and packed separately with the glue pot cover. Fix the handle and glue pot cover on the correct position before using the machine.

3.1 Basic Assembly



3.2 Assembling Detached Parts

1. For transport the tape coil support can be detached from the machine.
2. Fix the plate A to the machine table with the 2 screws D.
3. Place the tape coil support B on plate A placing the nuts in their correct position then tighten the screw C.



3.3 Electrical Connections

WARNING: WORK ON ELECTRICAL FITTINGS MAY ONLY BE CARRIED OUT BY QUALIFIED PERSON. SERIOUS INJURY MAY OCCURRED WHEN LACK OF ATTENTION.

- Check that the voltage and the power frequency available correspond on the machine nameplate on the machine frame.

1. Open the wiring box to connect the cables as shown.
2. Connection 220/1, cable with 3 wires (2-line, 1 earth).
The 1 phase to L1, L2, Earth to PE.
3. Use a cable adequate for the total power installed.
4. Close the wiring box.



- Check the direction of rotation:

1. Turn on the machine, then press "Conveyer" on the control panel.
2. Check whether direction is correct. If the direction is not correct, press emergency stop bottom immediately.
3. Turn off the power and exchange two wires (choose two from L1, L2, L3 to exchange)
4. Repeat step one again and make sure the direction is correct.

Never connect the neutral to the earth and L1, L2, L3.

WARNING: a wrong connection (for instance inverting a phase with the neutral or not connecting the neutral) can caused damages irreparably such as heating elements and motors.

3.4 Pneumatic Connection

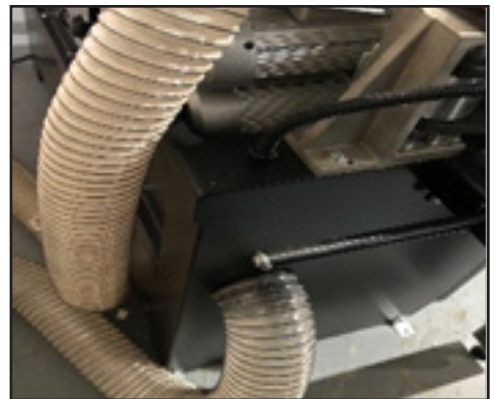
The filter/pressure regulator with outflow of condensation, and the quick fitting are situated on the side of the machine.

- Always connect the machine to the compressed air unit.
- Ensure compressed air is at least 6 kg/cm².
- The machine is equipped with an air pressure switch adjusted at 4 bar.
- When the air pressure is less than 4 bar, the machine is unable to be turned on.
- Free from humidity and suitably filtered.
- Before doing maintenance, turn off the machine, padlock it and disconnect the compressed air system by taking off the fast Snap-on fitting.
- For lubrication, NEVER lubricate the pneumatic plant. Lubrication oils can damage some of the pneumatic components. The condensation out flow is sufficient to push the tap upwards with the filter/regulator under pressure.



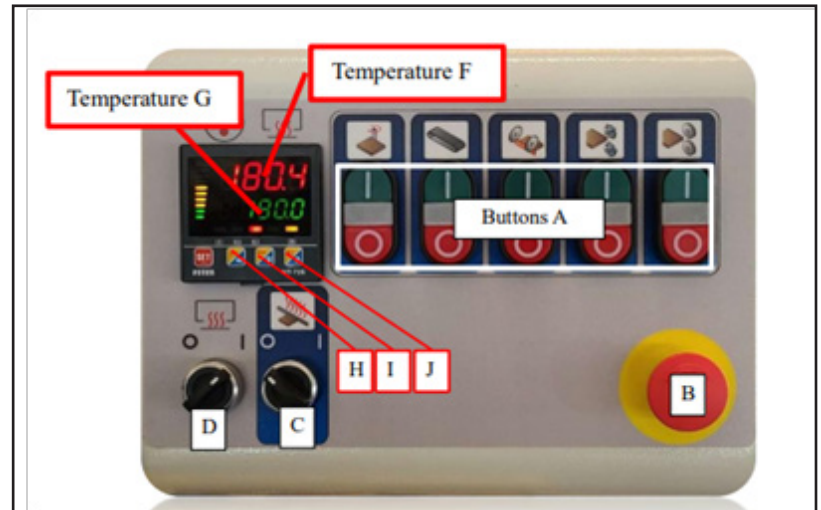
3.5 Dust Collection Connection

The machine can be equipped with centralized dust collector Ø 100 mm situated on the main protection of the machine. For correct functioning it is necessary that the air speed of the dust collection is not below 20 mt/1". When using the machine, it is recommended the dust collection system to use together with the machine.



4 Control Panel

- **Buttons A** can turn on every unit. Green button is turn on; Red button is turn off.
- **Button B** is the emergency stop. When pressing emergency stop, all the actives will stop immediately and all the machine functions are in locked position. Please turn and pull emergency button out to release them.



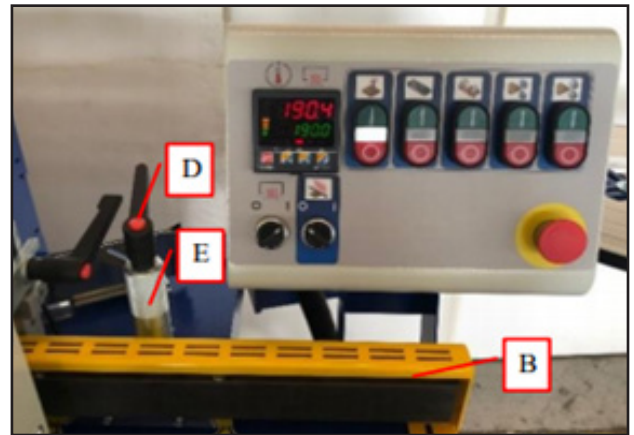
- **Switch C:** pre-heating function.
- **Switch D:** glue pot heating function.
- **Temperature F:** shows the current glue pot temperature;
- **Temperature G:** shows the setting temperature.
- How to change the setting temperature G?
 1. Press SET and use button H to change the digits.
 2. Use button I and J to increase or decrease the number.
 3. Press SET to finish setting.

5 Operation

5.1 Adjust in-feed Fence

To apply the edge on the panel correctly, it is necessary to keep the panel parallel to the “Edging line”. By “Edging line” we mean the alignment of:

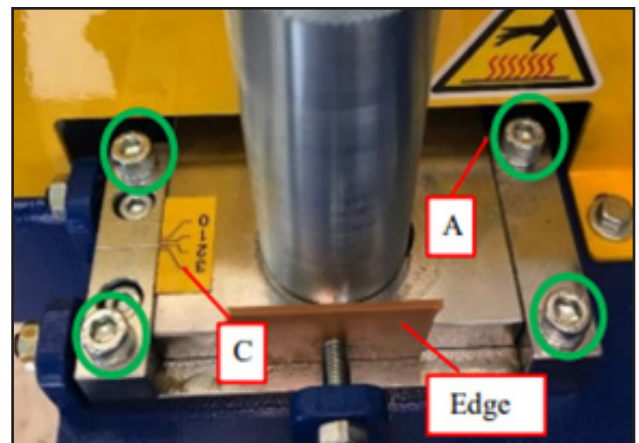
1. In-feed fence B.
 2. Pressure rollers.
 3. Round bar of end trim unit.
 4. Fence of flush trimming unit area.
- Depending on the edge thickness to be applied the thickness adjustment device C must be positioned following the mm thickness indicated C.



5.2 Adjustment to fit the Edge Thickness

1. Check the thickness of edge.
 2. Loose the fixed handle D and turn the handle E to adjust the in-feed fence
 3. Cut an edge which you are going to edge on the fixed plate and lock the fixed handle D.
- The set measurement has to be exactly the same as the thickness of the edge.

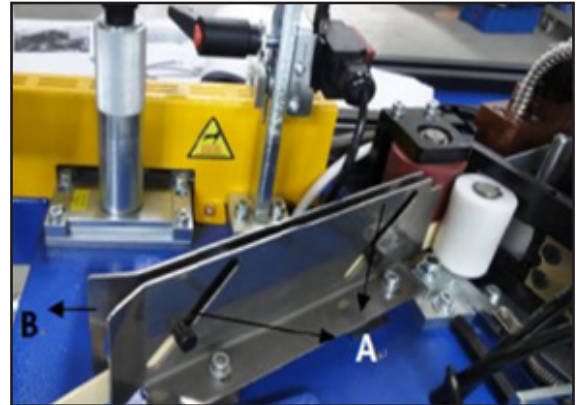
Note: Never Loosen four fixing screws A off from the in-feed fence fixed plate.



5.3 Edge Feeding

Edge Positioning

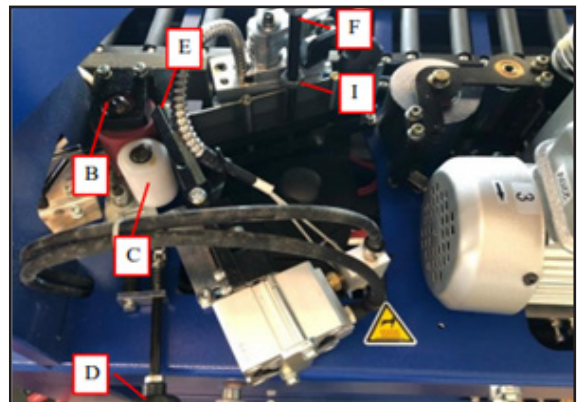
1. Put the edge between the two stainless steel guides B.
2. Keep the vertical position of the edge with the hold down knobs A which is coupled with a screw.
3. Set the knob and the screw 45° slot to achieve the vertical setting of the coil. It is advisable to leave a 0.5 mm vertical play to the coil for smooth sliding.



Guillotine Knife

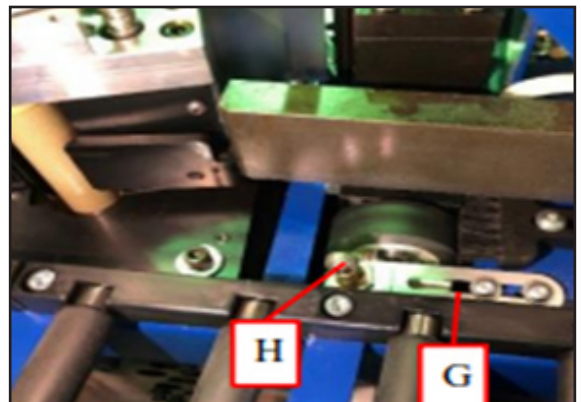
Guillotine knife is used to cut the edge from the coil. The cutting amount has been set in the factory. How to adjust the cutting amount?

1. Free the two screws G.
2. Move the electric switch H toward to the entrance of the work-piece to reduce the extra length.
3. Move backward to increase the extra length.
4. Fix two screws G.



Place Edge

1. Push knob D to the right side to open roller C.
2. Put the end of edge manually passing between the plastic roller C and rubber roller B until reach pressure roller.
3. Free the nut I and adjust knob F to touch the edge and move up about 0.5mm higher than the edge. Lock nut I.
4. Pull the edge back to the guillotine knife point E for standby position.



5.4 Glue pot unit

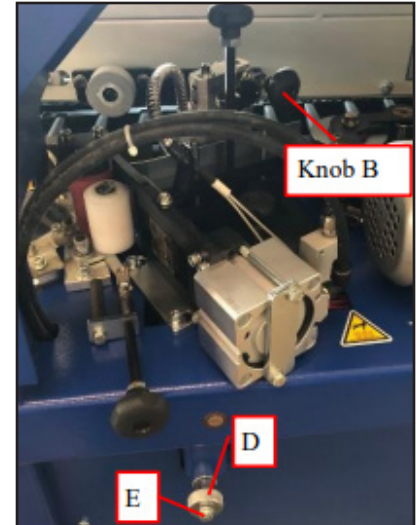
The glue pot unit spreads the hot melting glue on the work-piece to be edged. Thermo adjustment on the PLC checks the heating and functioning of the glue pot. For correct use please follow instructions:

1. Fill the glue pot to approximately 1cm below edge of the pot.
 - Make sure that the type of glue used is compatible with the conditions and the technical characteristics of the machine.

Suggested Glues:

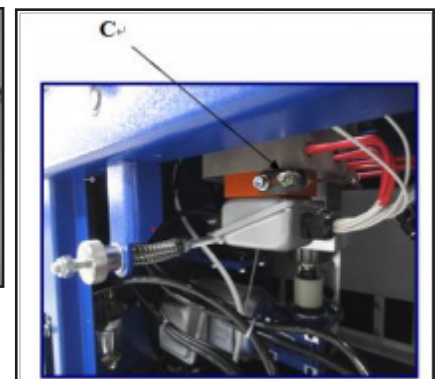
- Kleibert 773.3 200°C
- Jowat JOWAT 280.30 200°C

2. Adjust the electronic thermostat at the temperature corresponding to the one suggested by the manufacturer. (it has been set at 190°C in the factory).
3. The glue spreader starts turning automatically when the temperature reaches 180°C.
4. The quantity of glue spread can be adjusting by turning the knob B. (Turn clockwise to decrease the amount; turn counterclockwise to increase)
5. The knob D is used to move the glue pot forward or backward. It is tightened at factory to avoid damage during transportation. To use the machine, completely slacken the knob till you reach the locking nut E which is adjusted at the factory and its position **MUST NOT** be modified for any reason.



Lubrication of glue spreader

Users should do lubrication with grease gun every 30-working hour by aligning the nozzle into the hole C. The lack of periodic lubrication can create serious damage and you will have to replace the glue pot. To reset the functioning of machine, push the "OFF" button on the control panel for 10 seconds.



Only lubricate with high temperature grease.

How to change glue

1. Turn on machine, and the glue pot should be cold. If the glue pot is hot, please wait till it cools down.
2. When the thermoregulatory shows approx. 80-90°C, turn off the main switch.
3. Use a wooden stick to pull up to clean the glue. DO NOT use metal tools.
4. Wait until the glue pot is completely cold and clean all glue residue.

Attention: risk of being scalded

Attention: do not mix with glue wood shavings or wood dust.

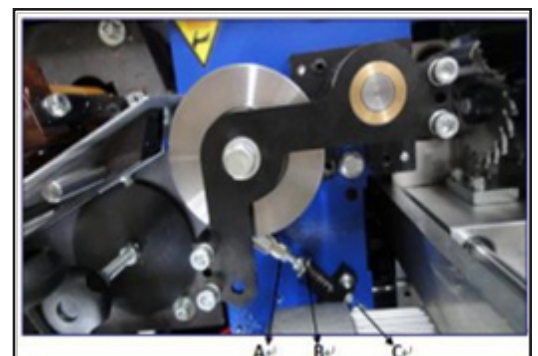
Attention: To avoid the glue deteriorate, check the thermostat and the quantity of the remaining glue.



5.5 Pressure Rollers Unit

Pressure rollers make the edge to accrete on the workpiece better. There are 2 rollers set on to the plate. The first roller is adjustable, while the second is fixed. Please follow the below instructions.

1. Release nut A to adjust screw C, screw in screw C to reduce pressure; screw out to increase the pressure.
2. Fasten nut A when finish adjust.



Do not unscrew or change the position of screw B since this can vary the edge alignment and caused consequent gluing problems. It is advisable to clean regularly and remove glue residue.

5.6 Front/Rear Trimming

This unit is extremely precise, automatically end-trims both froth/rear exceeding edge. Made of solid steel, it guarantees a clean, accurate cut on the leading and tailing edges of the panel being processed. This is done completely automatic and the cut is referenced directly from the panel via micro-switches with no need to adjustments when running different length panels.

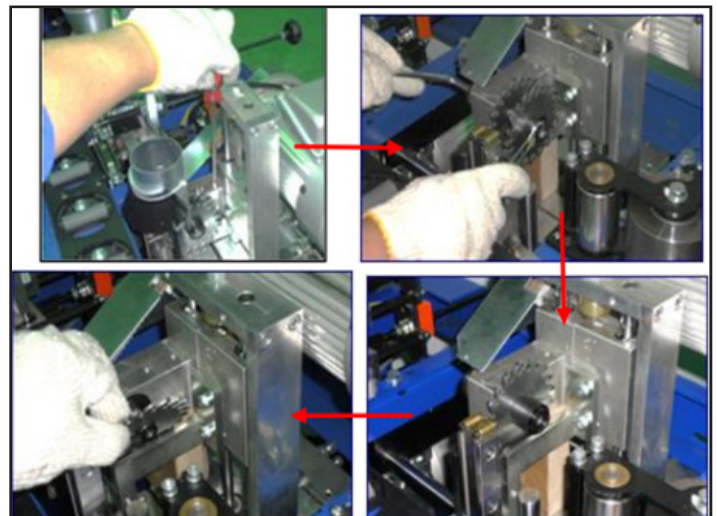
Adjust Tracing Pads

1. Open the feeder to stop all electrical and pneumatic functions. Place the main switch on OFF and detach the hose of compressed air.
2. To check whether the tracking pads are in line with the panel, lay a panel against the front tracing pad, raising and lowering the unit.
3. If not, act on screws A and B which compress the spring washers.
4. Repeat the above steps on the rear tracing pad.
5. Once obtained the perpendicular of the tracing pads on the table, by screwing or unscrewing in the same way and with the same number of turns the two screws A and B you obtain a minor or major length of the cut edge.



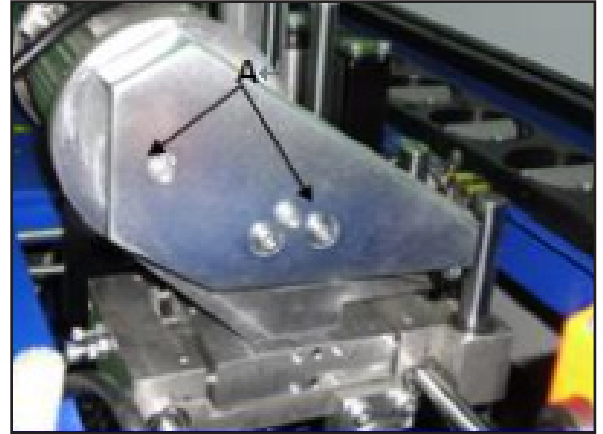
Change Blades

1. Take off the suction hood.
2. Loose the screws of the blade.
3. Take off the washer and the front blade.
4. Take out the spacer
5. Tilt the rear blade and take out from the spindle.
6. Assemble new blade with same direction.



Change the Belt

1. Take off the belt protection closure by loose the screws A.
2. Take off the old belt and replace with the new one.



Check the Belt Tensioning

1. Loose the 4 fixing screws of the motor. The 4 fixing screws can be reached with an Allan screw by turning the toothed pulley until the 2 holes B coincide with the 4 motor screws.
2. Do not loosen the screws too much, pull the motor, follow the arrow to tension the belt.
3. Tighten the 4 motor screws.

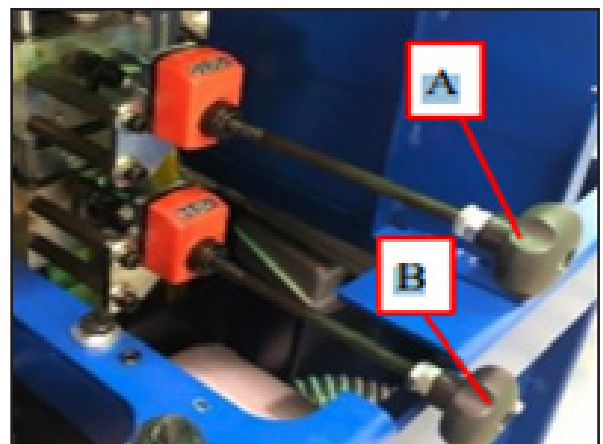


5.7 Top/Down Trimming Unit

The top/bottom trimming units are automatic and manually adjustable. These trimmers consist of high-polish chrome plated copy shoes which ensure a smooth and accurate profile.

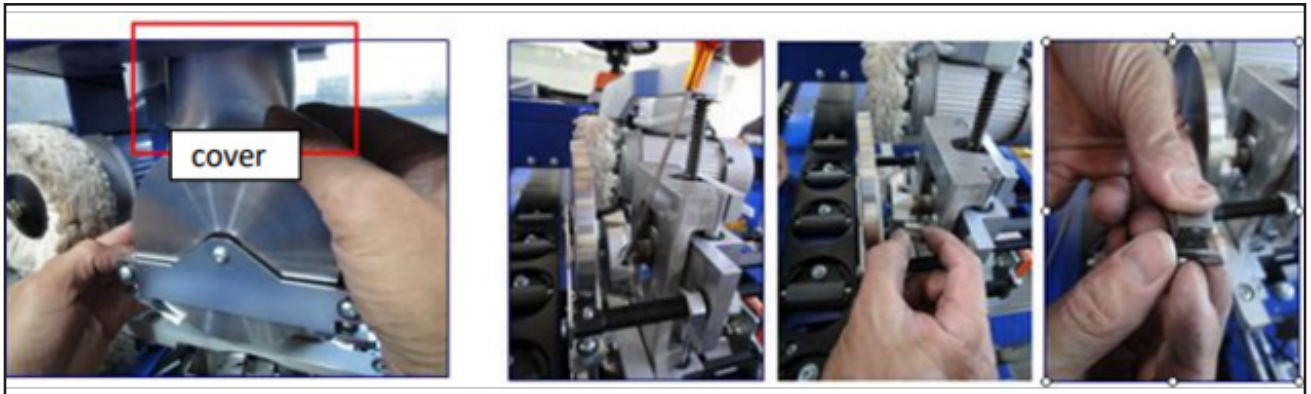
General Setting

Before operating the machine, adjust knob A & B to the amount of edge thickness.



Change Cutters

1. Take off the cover.
2. Use spanner to loosen the grains which lock the gib of the knife. Take out the gib and the knife.
3. Change the knife and put it back on the gib.
4. Clean the cutter head slot and position the gib knife.
5. Put the knife into the position, tighten the fixing grain.
6. Repeat the change all 4 knives to the top cutter head and bottom cutter head.

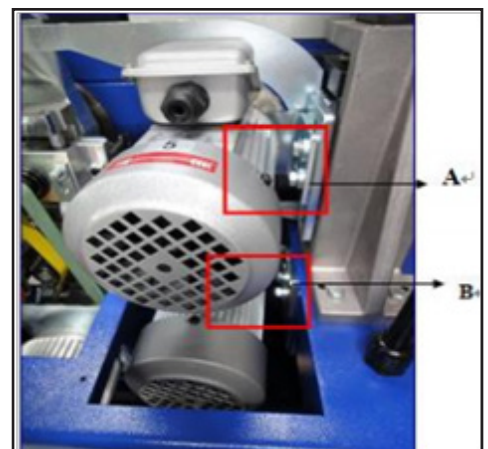


5.8 Buffing Unit

The buffing unit is designed to polish edges and maintain their natural colors. Two independent buffing wheels for cleaning and polishing can be adjusted to a particular angle to maximize its effect for better workpiece finishing and extending buffing wheel service life.

Adjustment Top Buffer

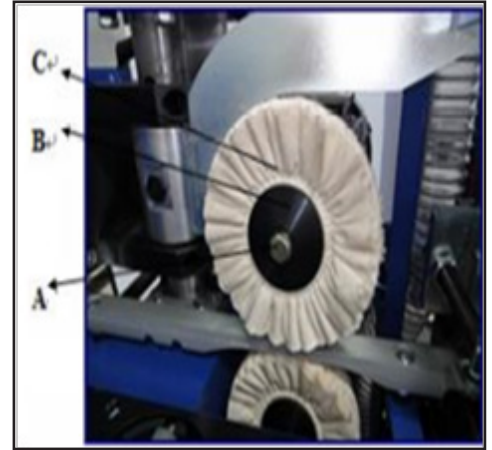
1. Loosen locking screw A.
2. Position and /or tilt the buffer to the desired position.
3. Once reached desired position tighten the screw A (for upper buffer)/ screw B (for lower buffer).



Change Buffers

1. Loosen locking screw A.
2. Pull out the flange B.
3. Pull out the buffers and remount a new set of buffers (2) following mounting scheme in.
4. Assemble them all back.

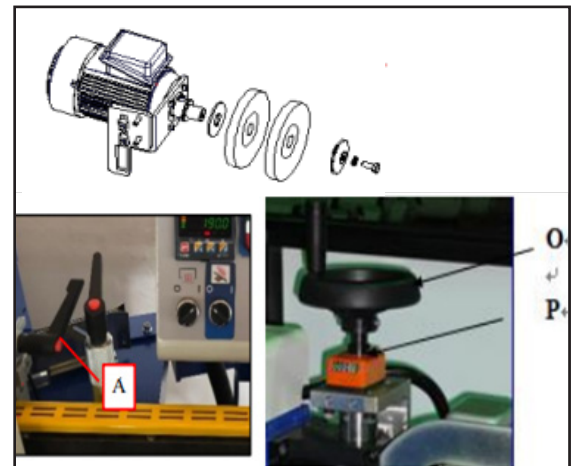
Important! When mount or adjust buffers, adjust the buffer 2/3 forward to touch the work piece, only 1/3 under the fence. This is to avoid rub the fence too much and cause the buffer worming or motor too hot.



5.9 Panel Belt Feeder

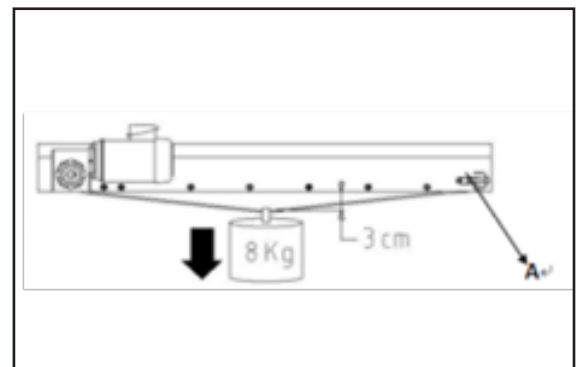
Pressure Beam

1. Unlock handle A.
2. Use handle wheel O to adjust the pressure beam height according to the workpiece thickness which can be read on the numerical indicator P.
3. Lock handle A tightly.



Adjust Belt Tension

1. Open the pressure beam feeder, you will find a sticker which guide you how to adjust the belt tension.
2. Use an 8kg block to pull the belt.
3. The distance between the belt and pressure beam should be less than 3cm.
4. If it is over 3cm, use two screw A to adjust it till the distance is less than 3cm. Note: The number of two screw A rotations should be the same.



Please check the belt tension after working for 30 hours.

6 Maintenance

6.1 Cleaning

Before changing any blades, please press emergency stop and wait till the blades are all stop! Even already turned off the motor, the blades may have inertia and keep running.

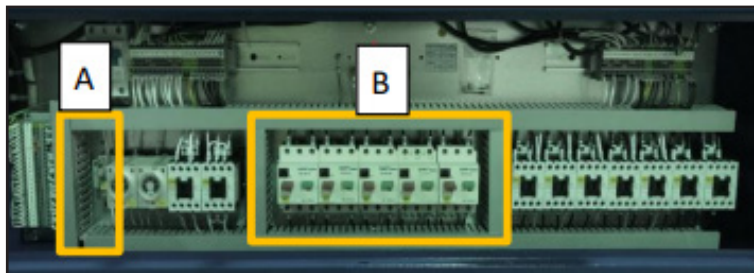
1. Clean the pressure rollers and the small roller on the bed from glue residues. Note: Before touching parts with solvent make sure they have been cool down.
2. Check and clean the top/down trimming unit dust hoods residues. Do not pile the dust up.
3. Clean the sliding rods of the top/down trimming unit and the front cutting -nipper.

6.2 Lubrication

This machine only needs to lubricate glue spreader. Please check cha.5.4.1 for more details. Other parts of the machine do not need any lubrication.

6.3 Fuses and Overload

To substitute the fuses, it is necessary to make access to the electrical box and proceed as follows:

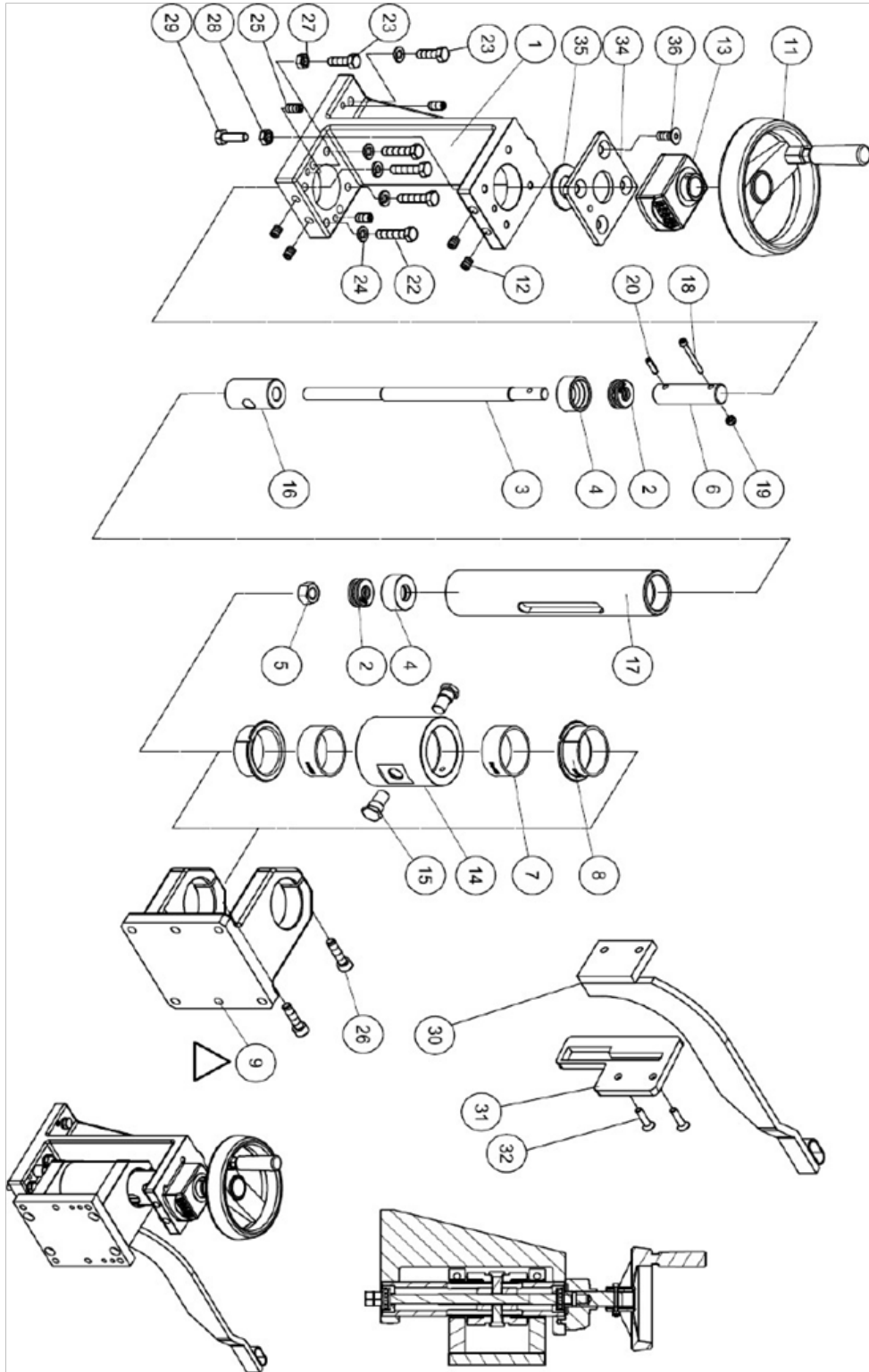


Replacement of fuses

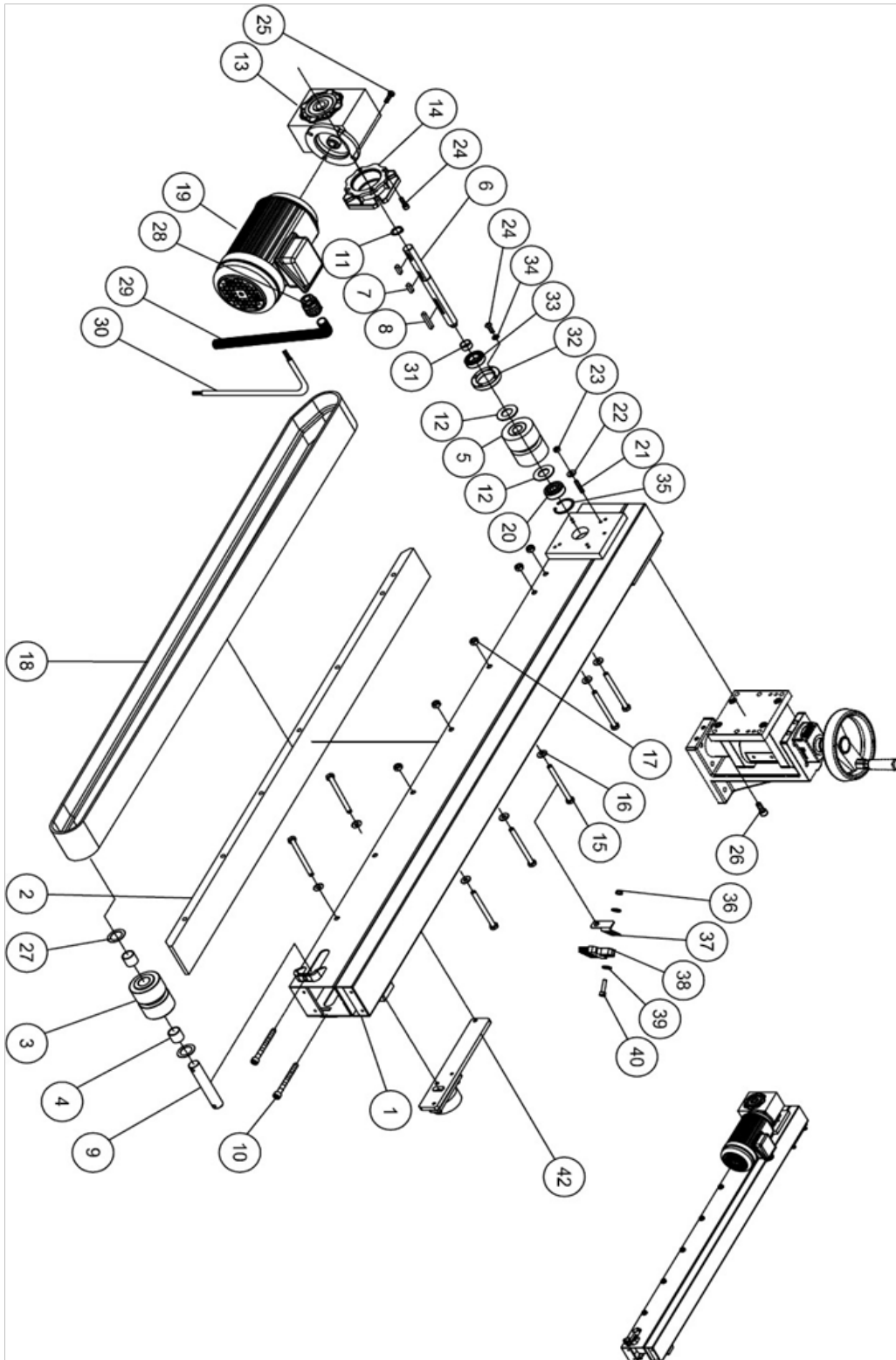
1. Switch off the main power supply and position the main switch on 0/OFF and padlock it. Disconnect the compressed air power supply tube
2. Open the electrical boxes
3. Replacement the burnt fuses A and backward repeat above operations.

Re-set of overload cutout switches

1. Switch off the main power supply
2. Position the main switch on 0/OFF and padlock it
3. Re-set to ON the overload cutout switches B. It is important that a specialized technician check this out.

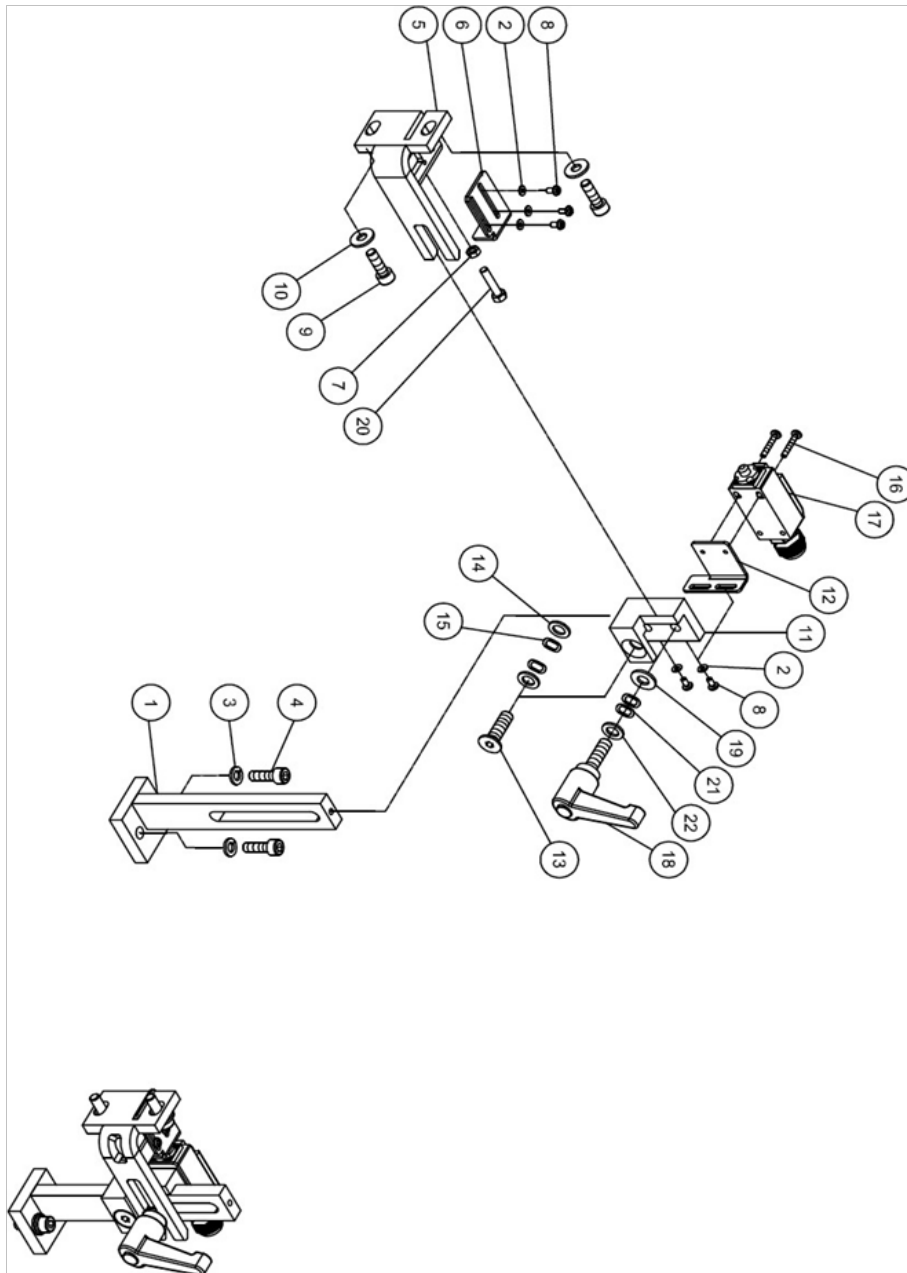


ITEM	PART NO.	PARTS NAME	SIZE	Q`TY	NOTE
1	721010	Pressure Beam Bracket		1	
2	994301	Thrust Bearing	51201	2	
3	721004	Precision Screw Pole	M14*P1.5	1	
4	721013	Bearing Bushing		2	
5	721427	Hex Nut	M12x1.75p	1	
6	721002	Adapter Shaft		1	
7	BD452001	Bushing Bearing	DU4520	2	
8	BD452002	Bushing Bearing	DU4520F	2	
9	721006A	Slider Bracket		1	NOV
	721973A	Slider Bracket		1	V1.1
11	722400	Handle Wheel		1	
12	SS080204	Set screw	M8*10L	4	
13	721001	Position Indicator		1	
14	721009	Slider Ring		1	
15	721007	Locate Bolt	M14*P1.25	2	
16	721005	Screw Ring	M14*P1.5	1	
17	721003	Column		1	
18	SR050903	Cap Screw	M5*45L	1	
19	NL050800	Nylon Nut	M5	1	
20	PS052000	Spring Pin	5*20L	1	
22	SH080800	Hex Head Bolt	M8*40L	4	
23	SH080600	Hex Head Bolt	M8*30L	3	
24	WS080000	Spring Washer	M8	6	
25	SS089400	Set screw	M8*16L	4	
26	SR080600	Cap Screw	M8x30	1	
27	NH081300	Hex Nut	M8x1.25p	1	
28	NH081304	Hex Nut	M8x1.25p*4t	1	
29	SH089300	Hex Head Bolt	M8*12L	1	
30	721057	Support Bracket		1	
31	721323	Fixed Plate		1	
32	SM060500	Pan Head Screws Hexagon	M6*25L	2	
34	721014	Fixed Plate		1	
35	721015	Washer		1	
36	SM089200	Pan Head Screws Hexagon	M8*12L	4	

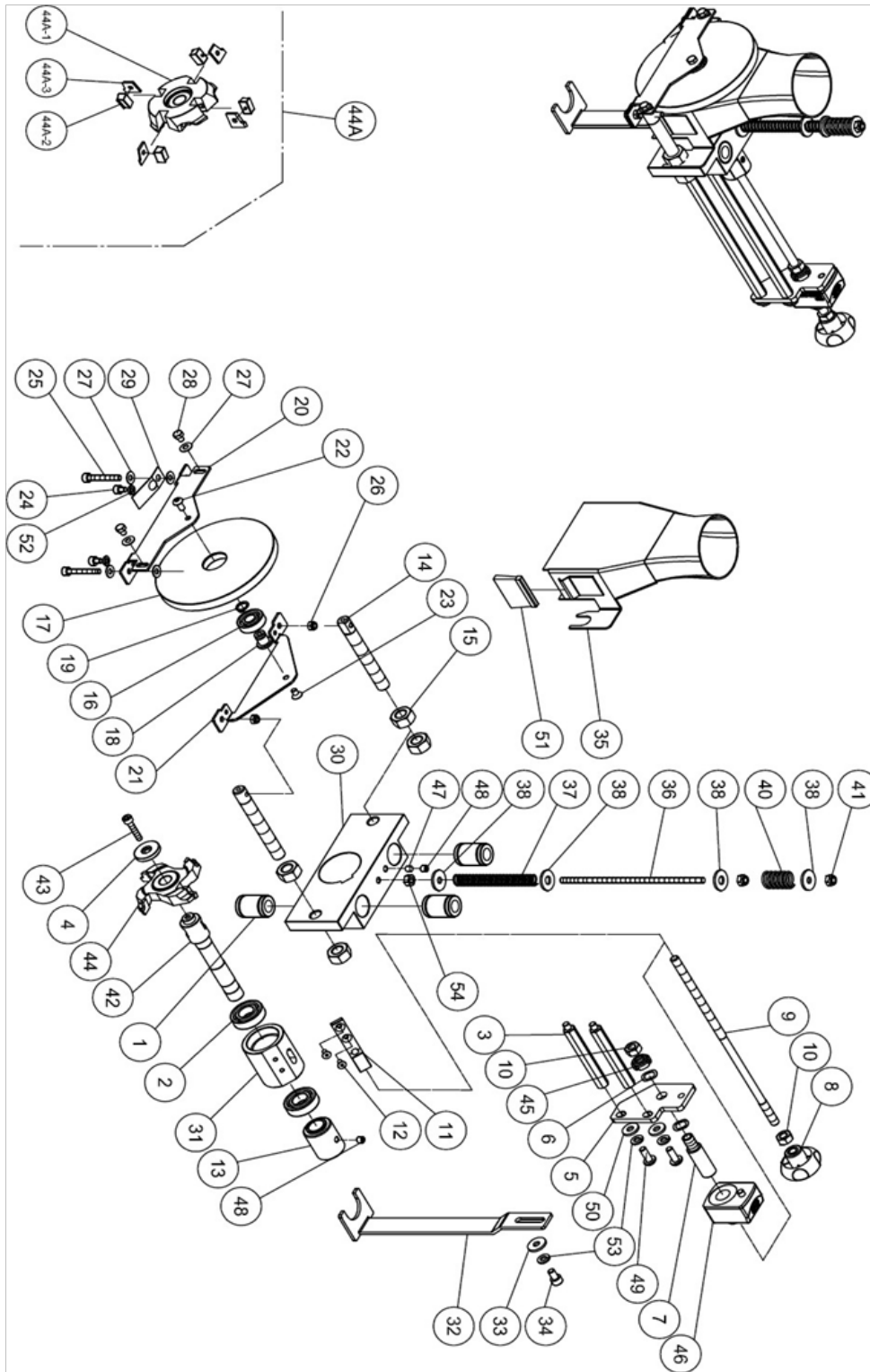


ITEM	PART NO.	PARTS NAME	SIZE	Q`TY	NOTE
1	721028	Conveyer Seat		1	R
2	721020	Conveyer By The Board		1	
3	721018	Roll Wheel		1	
4	994353	Bushing Bearing	DU2020	2	
5	721023	Roll Wheel		1	
6	721022	Transmission Shaft		1	
7	KD060620	Flat Key	6*6*20	2	
8	KD060640	Flat Key	6*6*40	1	
9	721019	Shaft		1	
10	SR081600	Cap Screw	M8*80	2	
11	RS180000	C-Type Retaining Ring	S18	1	
12	721025	Gasket		2	
13	721026	Reducer	NMRV040(1/50)	1	50Hz
14	721027	Reducer Flange	NMRV040	1	
15	SH081803	Hex Head Bolt	M8*90L	7	
16	WF081820	Washer	8*18*2T	7	
17	NF081300	Flange Hex Nut	M8	5	
18	721017A	Conveyer	72*5*2440(10*6)	1	
19	MA721021	Motor	1/2HP(0.37KW) 4P	1	220/380V 3~
	MA721021B	Motor	3/4HP(0.55KW) 4P	1	220V 1~
20	BB630103	Ball Bearing	6301 LLU	1	
21	SS060640	Set screw	M6*30L	4	
22	WF062330	Washer	6*23*3T	4	
23	NH061000	Hex Nut	M6	4	
24	SJ060400	d Socket Head Cap	M6*20L	8	
25	SH060400	Hex Head Bolt	M6*20L	4	
26	SR080403	Cap Screw	M8*20L	6	
27	991706	Washer	20*30*0.5T	2	
28	203481	Nylon Box Connector	N-MGN16-15B-ST	1	
29	203475	Wave Tube	NGN-12B-50	0.7	700mm
30	IM721002	Motor Cord	0.5mm x 4C	1	380V 3~ CE
	IM721032	Motor Cord	0.75mm x 3C	1	220V 1~ CE
31	721029	Bushing		1	
32	721030	Bearing Fixed		1	
33	BB690404	Ball Bearing	6904LLB	1	
34	WS060000	Spring Washer	M6	4	
35	RR370000	Retaining Ring (for bores)	R37	1	

ITEM	PART NO.	PARTS NAME	SIZE	Q`TY	NOTE
36	NL061000	Hex Nut	M6	1	
37	721526	plank		1	
38	135051-A	hairbrush		1	
39	WF061620	Washer		2	
40	SR060500	Cap Screw	M6X25L	1	
42	AB721024	Transmission pressure wheel group		1	

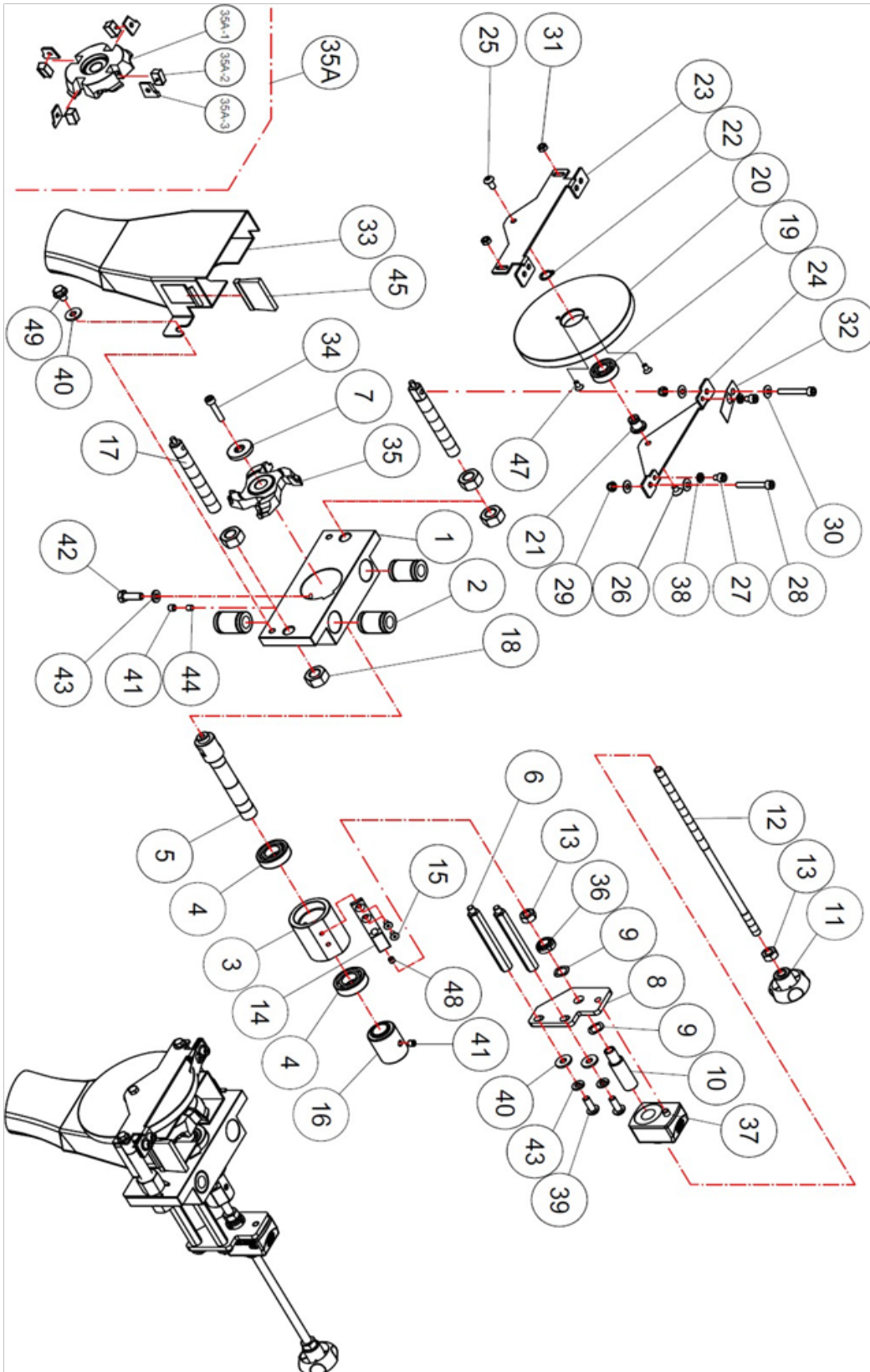


ITEM	PART NO.	PARTS NAME	SIZE	QTY	NOTE
1	721032	Adjustment Column		1	
2	WF040810	Washer	4*8*1T	5	
3	WS080000	Spring Washer	M8	2	
4	SR080400	Cap Screw	M8*20L	2	
5	721036C	Locate Plug		1	
6	721035	Plug Fixed Plate		1	
7	NH061000	Hex Nut	M6	1	
8	SP049200	Pan Head Screw	M4*8L	5	
9	SJ080404	Round Socket Head Cap Screw	M8*20L	2	
10	WF081820	Washer	8*18*2T	2	
11	721033	Adjustment Bracket		1	
12	721034	Limits Fixed Plate		1	
13	SM100700	Countersunk Head Cap Screw	M10*35L	1	
14	WF102020	Washer	10*20*2T	2	
15	WW101503	Wave-Type Washer	10*15	3	
16	SP040600	Pan Head Screw	M4*30L	2	
17	AB721037-N	Door Safety Switch ASM.		1	
18	721031	Quick Release Handle		1	
19	WF102730	Washer	10*27*3T	1	
20	SH060600	Hex Head Bolt	M6*30L	1	
21	204263		10*20	2	
22	WF101610	Washer	10*16*1T	1	



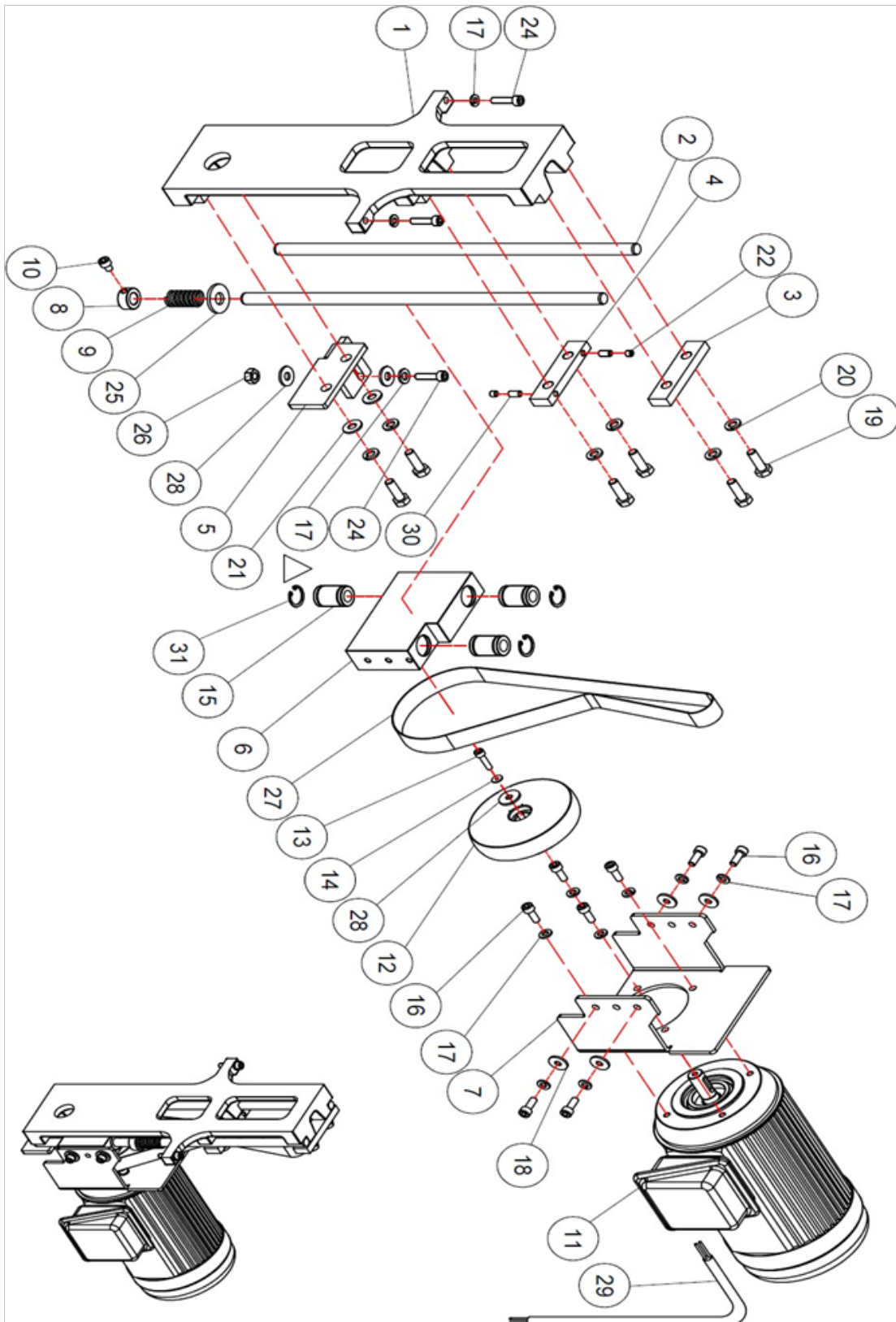
ITEM	PART NO.	PARTS NAME	SIZE	Q`TY	NOTE
1	BL210402	Linear Bearing	LM12	3	
2	BB600204	Ball Bearing	6002 LLB	2	
3	721182	Six Hexagonal Column		2	
4	721043	Spindle Cover		1	
5	721061	Fixer Plate		1	
6	WW101503	Wave-Type Gasket	10*15	2	
7	721060	Adapter Shaft		1	
8	721056	Plum Nut	M8	1	
9	721055	Adjustment Screw Pole	M8*P1.25	1	
10	NH081300	Hex Nut	M8	2	
11	721063	Connection Plate		1	
12	SM049200	Pan Head Screws Hexagon	M4*8L	2	
13	721046	Flat Pulley		1	
14	721042	Support Screw Pole	M12*P1.75	2	
15	NH121900	Hex Nut	M12*1.75	4	
16	BB600004	Ball Bearing	6000 LLB	1	
17	721069	Profiling Wheel		1	
18	721070	Wheel Spindle		1	
19	RS100000	C-Type Ring	S10	1	
20	721066	Pressure Wheel Fixed Plate		1	
21	721067	Pressure Wheel Fixed Plate		1	
22	SJ059200	Round Socket Head Cap Screw	M5*8L	1	
23	SM059200	Countersunk Head Cap Screw	M5*8L	1	
24	SR050200	Cap Screw	M5*10L	2	
25	SR050600	Cap Screw	M5*30L	2	
26	NL050800	Nylon Nut	M5	2	
27	721232	Disc Washers	5.2*12*0.6t	4	
28	NH050800	Hex Nut	M5	2	
29	721068	Spring Scratch Plate		1	
30	721047	Upside Sliding Bracket		1	
31	721045	Upside Shaft		1	
32	721081	Locate Adjustment Plate		1	
33	WF061920	Washer	6*19*2.0T	1	
34	SR0693003	Cap Screw	M6*12L	1	
35	721041	Dust Cover		1	
36	721054A	Screw Ploe	M6*P1	1	
37	721058	Spring		1	

ITEM	PART NO.	PARTS NAME	SIZE	Q`TY	NOTE
38	WF062330	Washer	6*23*3T	4	
40	721059	Spring		1	
41	NL061000	Nylon Nut	M6	2	
42	721044	Upside Spindle		1	
43	SR059400	Cap Screw	M5*16L	1	
44	721049	Upside Tool		1	S
44A	AB721049A	Low side Tool Set.		1	A
44A-1	721049A-1			1	
44A-2	721049A-2			4	
44A-3	721049A-3			4	
45	721071	Lock Nut	M10*P0.75	1	
46	721064	Position Indicator	DA0406-12/5-1-E-0	1	
47	721072	ABS Strips	4*5L	0.01	
48	SS069150	Set Screw	M6*6L	2	
49	SR0694003	Cap Screw	M6*16L	2	
50	WF061620	Washer	6*16*2.0T	2	
51	721073	Hairbrush	2000mm/50pcs=40mm	0.02	
52	WS050000	Spring Washer	M5	2	
53	WS060000	Spring Washer	M6	3	
54	NH061000	Hex Nut	M6	2	

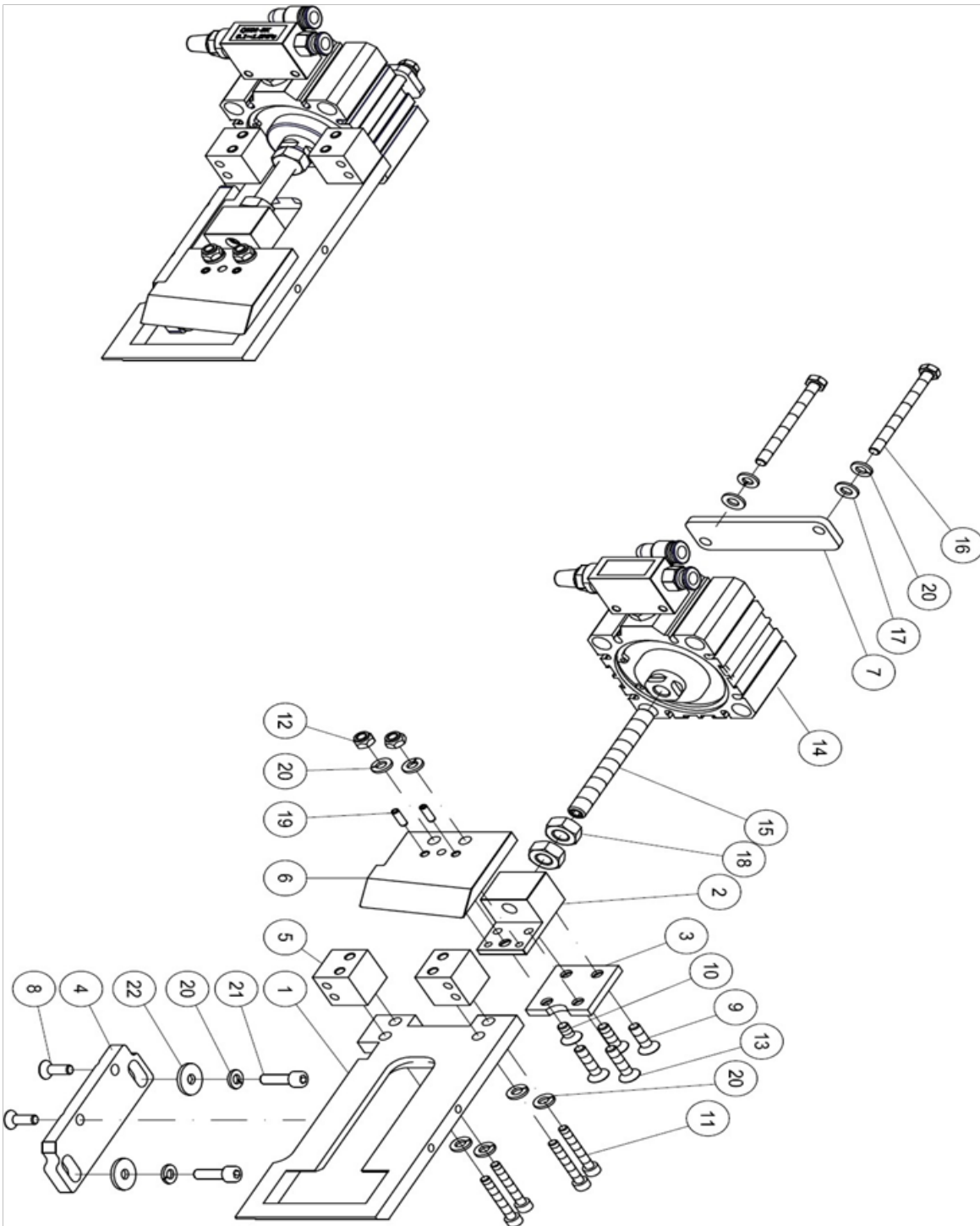


ITEM	PART NO.	PART NAME	SIZE	Q`TY	NOTE
1	721048	Low side Sliding Bracket		1	
2	BL210402	Linear Bearing	LM12	3	
3	721052	Low side Shaft		1	
4	BB600204	Ball Bearing	6002 LLB	2	
5	721051	Low side Spindle		1	
6	721182	Six Hexagonal Column		2	
7	721043	Spindle Cover		1	
8	721061	Fixer Plate		1	
9	WW101503	Wave-Type Gasket	Ø10*Ø15	2	
10	721060	Adapter Shaft		1	
11	721056	Plum Nut	M8	1	
12	721055	Adjustment Screw Pole		1	
13	NH081300	Hex Nut	M8	2	
14	721063	Connection Plate		1	
15	SM049200	Countersunk Head Cap Screw	M4*8L	2	
16	721046	Flat Pulley		1	
17	721042	Support Screw Pole		2	
18	NH121900	Hex Nut	M12	4	
19	BB600004	Ball Bearing	6000 LLB	1	
20	721069	Profiling Wheel		1	
21	721070	Wheel Spindle		1	
22	RS100000	S-Type Ring	S10	1	
23	721066	Pressure Wheel Fixed Plate		1	
24	721067	Pressure Wheel Fixed Plate		1	
25	SJ059200	Round Socket Head Cap Screw	M5*8L	1	
26	SM059200	Countersunk Head Cap Screw	M5*8L	1	
27	SR050200	Cap Screw	M5*10L	2	
28	SR050600	Cap Screw	M5*30L	2	
29	NL050800	Hex Nut	M5	2	
30	721232	Disc Washers	Ø5.2*Ø12*0.6t	4	
31	NH050800	Hex Nut	M5	2	
32	721068	Spring Scratch Plate		1	
33	721050	Dust Cover		1	
34	SR059402	Cap Screw	M5*16L	1	
35	721053	Low side Tool		1	S
35A	AB721053A	Low side Tool Set.		1SET	A
35A-1	721053A-1			1	

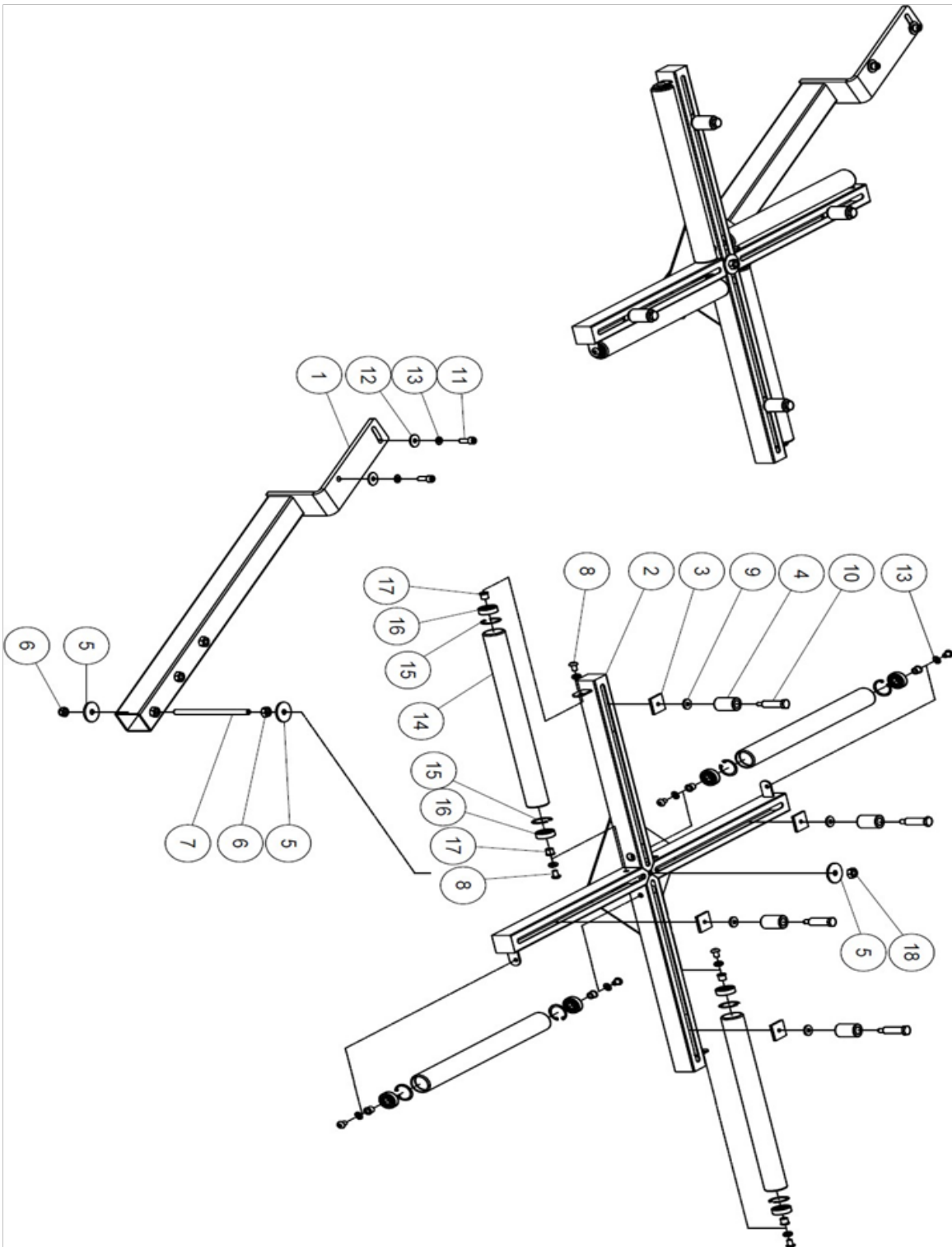
ITEM	PART NO.	PART NAME	SIZE	Q`TY	NOTE
35A-2	721053A-2			4	
35A-3	721053A-3			4	
36	721071	Lock Nut	M10*P0.75	1	
37	721064	Position Indicator	DA0406-12/5-1-E-0	1	
38	WS050000	Spring Washer	M5	2	
39	SR0694003	Cap Screw	M6*16L	2	
40	WF061620	Washer	M6*16*2.0	3	
41	SS069150	Set Screw	M6*6L	2	
42	SR060400	Cap Screw	M6*20L	1	
43	WS060000	Spring Washer	M6	3	
44	721072	ABS Strips	Ø4*5L	0.01	1PC
45	721073	Hairbrush	2000mm/50pcs=40mm	0.02	
47	SM049200	Countersunk Head Cap Screw	M4*8L	2	
48	SS059250	Set Screw	M5*8L	1	
49	SH069300	Hex Head Bolt	M6*1.75*20	2	



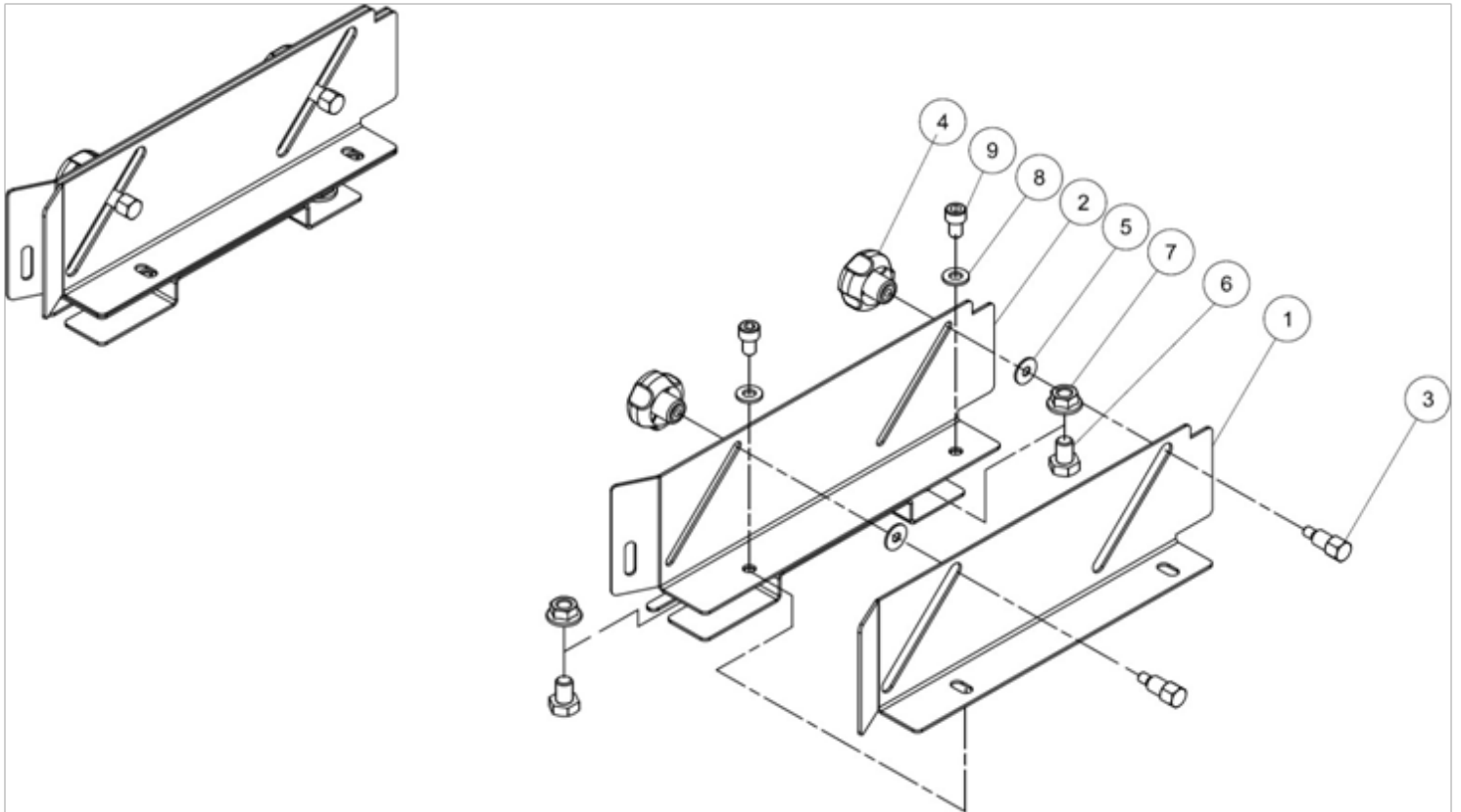
ITEM	PART NO.	PART NAME	SIZE	Q`TY	NOTE
1	721076	Rail Seat		1	
2	721077	Chrome Rod Park		2	
3	721079	Platen		1	
4	721080	Platen		1	
5	721087	Fuselage Connecting Plate		1	
6	721086	Motor Movements Block		1	
7	721084	Motor Fixed Plate		1	
8	721089	Positioning Ring		1	
9	721088	Compression Spring		1	
10	SR0602003	Cap Screw	M6*10L	1	
11	MA721083	Motor	3/4HP(0.55KW) 2P	1	220/380V 3~
	MA721083A	Motor	3/4HP(0.55KW) 2P	1	220V 1~
12	721085	Flat Pulley		1	
13	SR059400	Cap Screw	M5*16L	1	
14	WF051210	Washer	Ø5*Ø12*1t	1	
15	BL210402	Linear Bearing	LM12UU	3	
16	SR069400	Cap Screw	M6*16L	8	
17	WS060000	Spring Washer	M6	11	
18	WF061620	Washer	Ø6*Ø16*2t	4	
19	SH080500	Hex Head Bolt	M8*25L	6	
20	WS080000	Spring Washer	M8	6	
21	WF081820	Washer	Ø8*Ø18*2t	2	
22	SS069150	Set Screw	M6*6L	2	
24	SR060500	Cap Screw	M6*25L	3	
25	WF132225	Washer	Ø13*Ø22*2.5t	1	
26	NH061000	Hex Nut	M6	1	
27	LF290020	Plat Belts	20*730L	1	
28	WF061920	Washer	Ø6*Ø19*2t	3	
29	IM721003	Motor Cord	0.5mm x 4C	1	380V 3~
	IM721033	Motor Cord	0.75mm x 3C	1	220V 1~
30	SS060400	Set Screw	M6*20L	2	
31	RR210000	Retaining Ring (for bores)	R21	3	



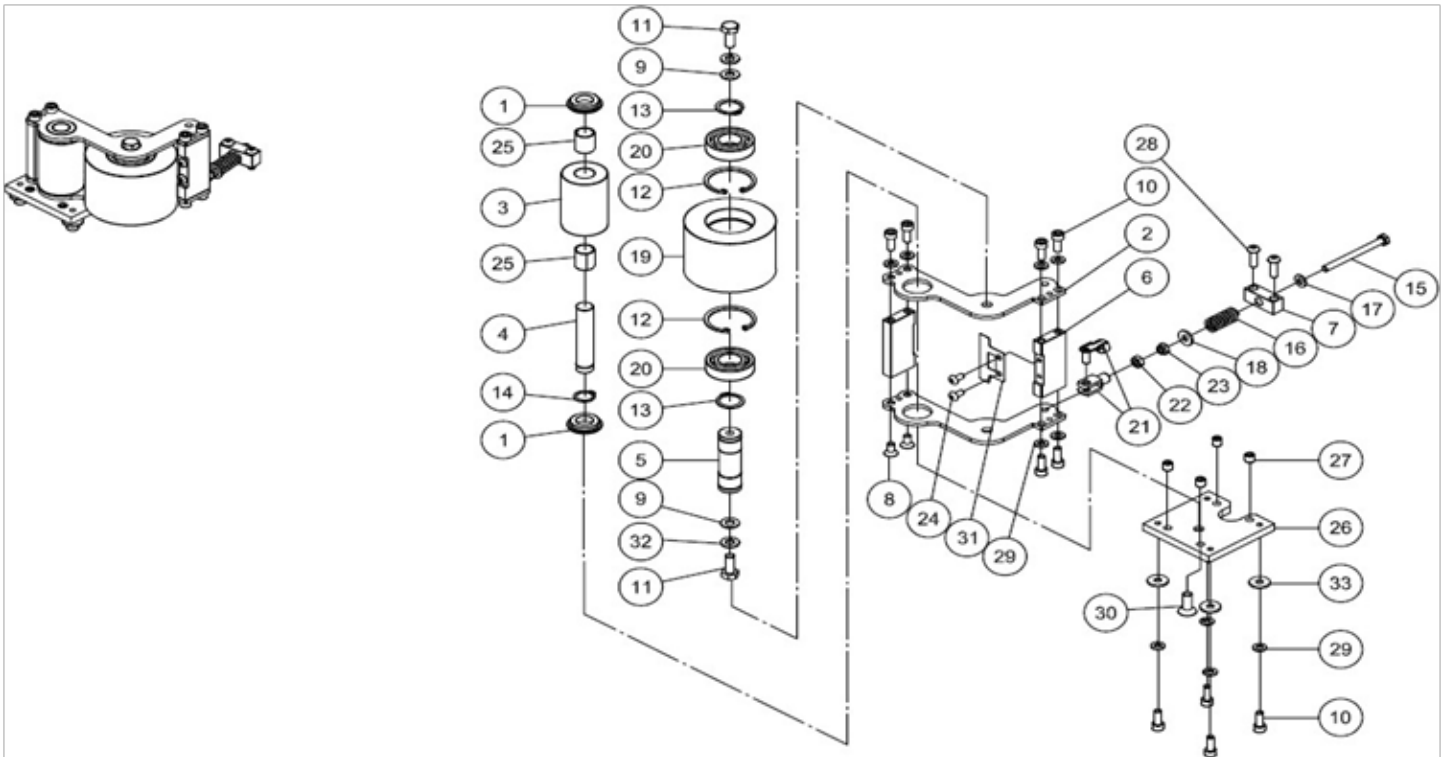
ITEM	PART NO	PARTS NAME	SIZE	Q`TY	NOTE
1	721093	Cutter Plate		1	
2	721103	Tool Fixed Block		1	
3	721094	Guides		1	
4	721102	Locate Plate		1	
5	721092	Locate Block		2	
6	721101	Cutter		1	
7	721091	Locate Plate		1	
8	SM069400	Countersunk Head Cap Screw	M6*16L	2	
9	SM060400	Countersunk Head Cap Screw	M6*20L	2	
10	SM069300	Countersunk Head Cap Screw	M6*12L	1	
11	SR060700	Cap Screw	M6*35L	4	
12	NL061000	Nylon Nut	M6	2	
13	SM060500	Countersunk Head Cap Screw	M6*25L	2	
14	AB721100	Cylinders ASM.	Ø63*20ST	1	
15	SS101800	Set Screw	M10*90L	1	
16	SH061403	Hex Head Bolt	M6*70L	2	
17	WF061310	Washer	M6*13*1T	2	
18	NH101700	Hex Nut	M10	2	
19	PS041200	Spring Pin	Ø4*12L	2	
20	WS060000	Spring Washer	M6	10	
21	SR060400	Cap Screw	M6*20L	2	
22	WF061920	Washer	Ø6*Ø19*2T	2	



ITEM	PART NO.	PART NAME	SIZE	Q`TY	NOTE
1	721106	Support Rib		1	VE
2	721109	Edge with a Bracket		1	VE
3	721107	Four Corners of the Nut		4	
4	721108	Wheel		4	
5	WF104030	Washer	Ø10*Ø40*3t	3	
6	NH101700	Nut	M10	2	
7	721105	Screw Pole	M10*150L	1	
8	SJ089400	Round Socket Head Cap Screw	M8*16L	8	
9	WF081820	Washer	Ø8*Ø18*2t	4	
10	721111	Class Screw		4	
11	SR080400	Cap Screw	M8*20L	2	
12	WF082520	Washer	M8	2	
13	WS080000	Spring Washer	M8	10	
14	721110	Wheel		4	
15	RR320000	C-Type Ring	R32	8	
16	BB620102	Ball Bearing	6201 ZZ	8	
17	017058	Self-Lubricating Bearing		8	
18	NL101700	Nylon Hex Nut	M10	1	

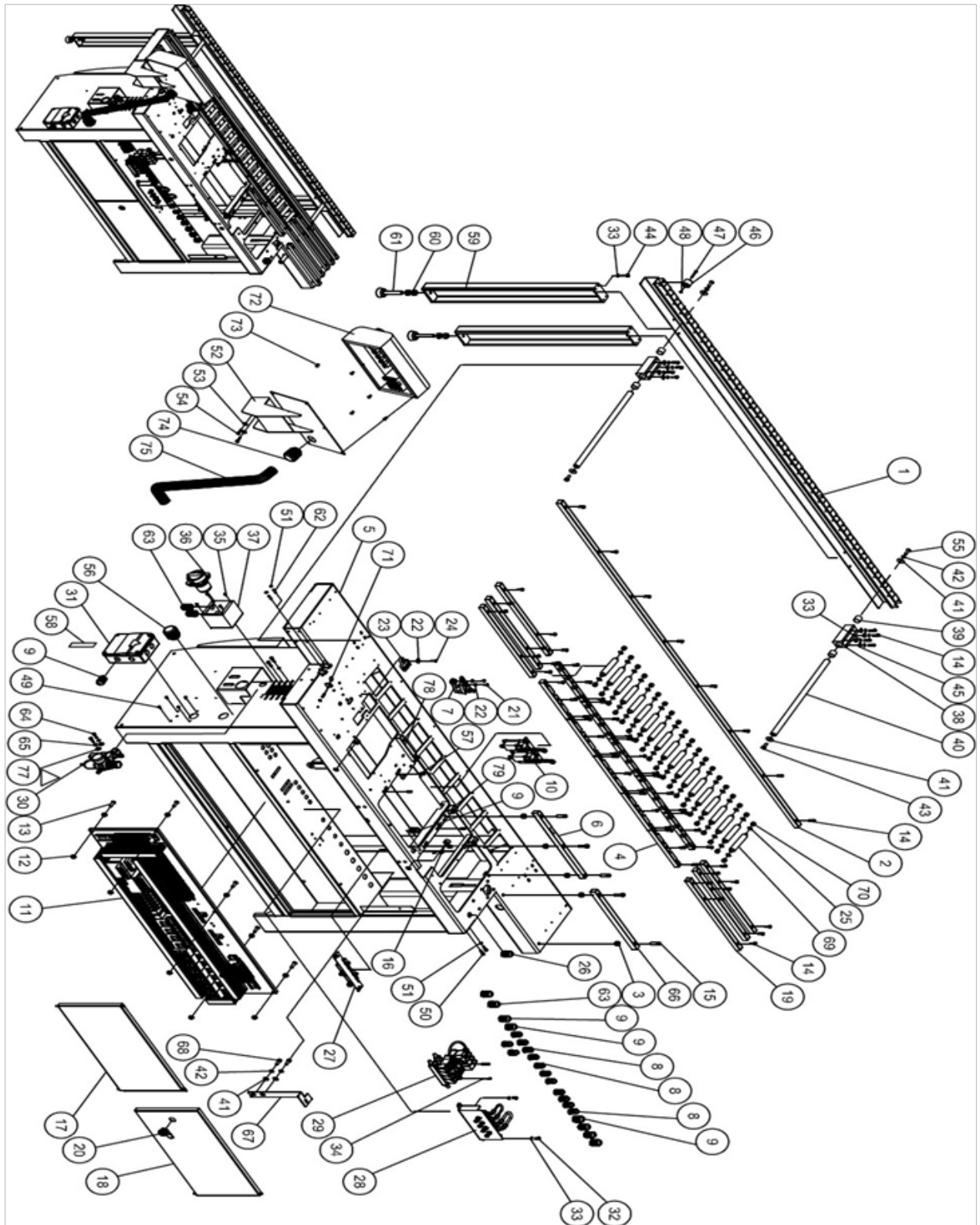


ITEM	PART NO	PARTS NAME	SIZE	Q`TY	NOTE
1	721113	Left Guides		1	
2	721112	Right Guides		1	
3	721114	Stage Screw	M5	2	
4	721115	Plum Nut	M5	2	
5	WF051210	Washer	Ø5*Ø12*1t	2	
6	SH089300	Hex Head Screw	M8*12L	2	
7	NF081300	Flange Hex Nut	M8	2	
8	WF061310	Washer	Ø6*Ø13*1t	2	
9	SR060200	Cap Screw	M6*10L	2	



ITEM	PART NO.	PART NAME	SIZE	Q`TY	NOTE
1	721117	Every Ring		2	
2	721118	Fixed Plate		2	
3	721119	Wheel		1	
4	721120	Wheel Spindle		1	
5	721122	Wheel Spindle		1	
6	721124	Support Block		2	
7	721128	Fixed Block		1	
8	SM069300	Countersunk Head Cap Screw	M6*12L	2	
9	WF081820	Washer	Ø8*Ø18*2t	2	
10	SR069400	Cap Screw	M6*16L	10	
11	SH080400	Hex Head Bolt	M8*20L	2	
12	RR420000	C-Type Ring	R42	2	
13	RS200000	C-Type Ring	S20	2	
14	RS150000	C-Type Ring	S15	1	
15	SH061300	Hex Head Bolt	M6*65L	1	
16	721127	Spring		1	
17	WF061310	Washer	Ø6*Ø13*1t	1	
18	WF061620	Washer	Ø6*Ø16*2t	5	

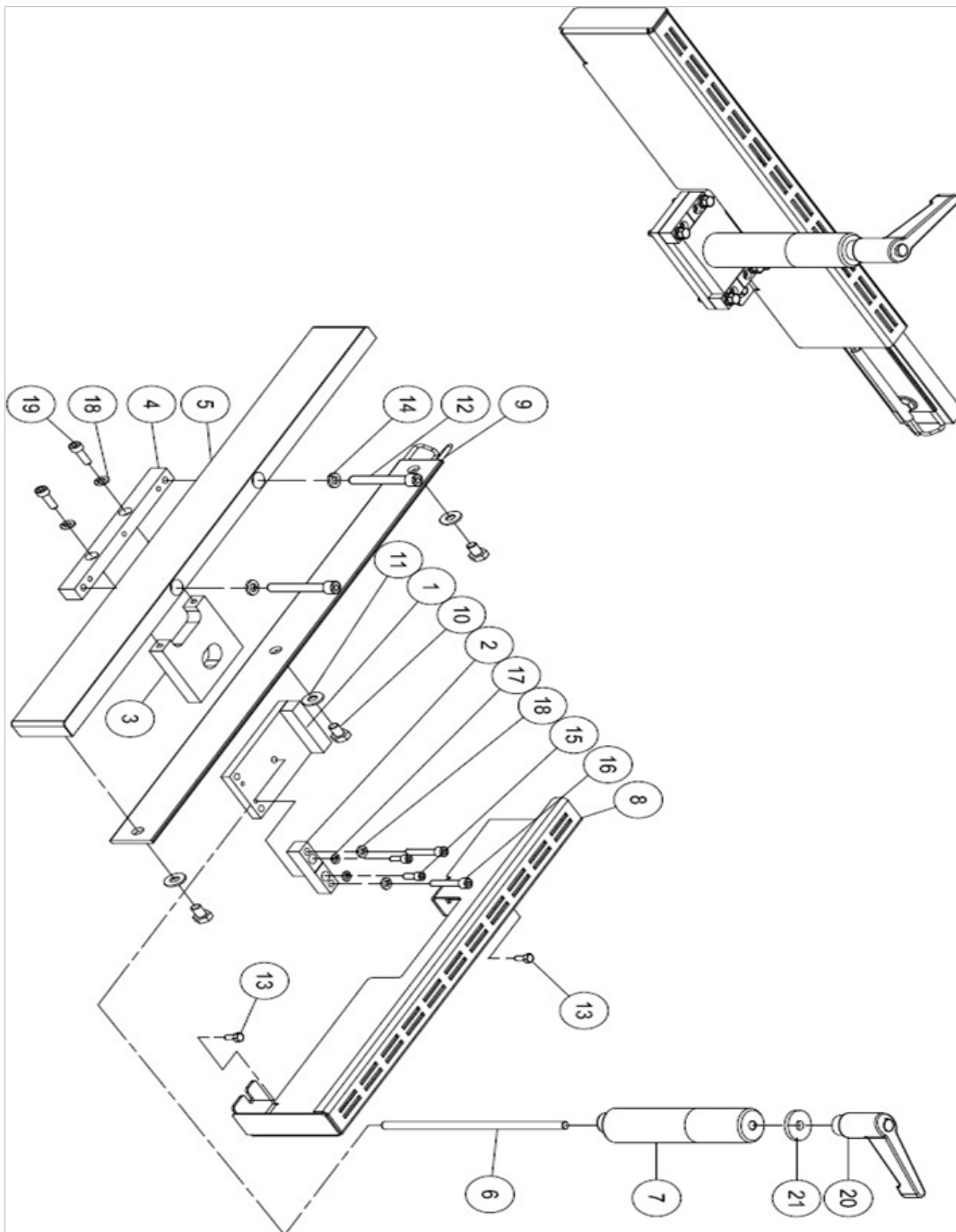
ITEM	PART NO.	PART NAME	SIZE	Q`TY	NOTE
19	721123	Wheel		1	
20	BB600403A	Ball Bearing	6004LLU	2	
21	721125	Y-type Connector		1	
22	NH061000	Hex Nut	M6	1	
23	NL061000	Nylon Nut	M6	1	
24	SJ059200	Round Socket Head Cap Screw	M5*8L	2	
25	BD152001	Dry Bearing	DU1520	2	
26	721116	Fixed Base		1	
27	SS089200	Set Screw	M8*8L	4	
28	SJ060400	Round Socket Head Cap Screw	M6*20L	2	
29	WS060000	Spring Washer	M6	10	
30	SM0804003	Countersunk Head Cap Screw	M8*20L	1	
31	721129	Scraped plate		1	
32	WS080000	Spring Washer	M8	2	
33	WF061820	Washer	Ø6*Ø18*2t	1	



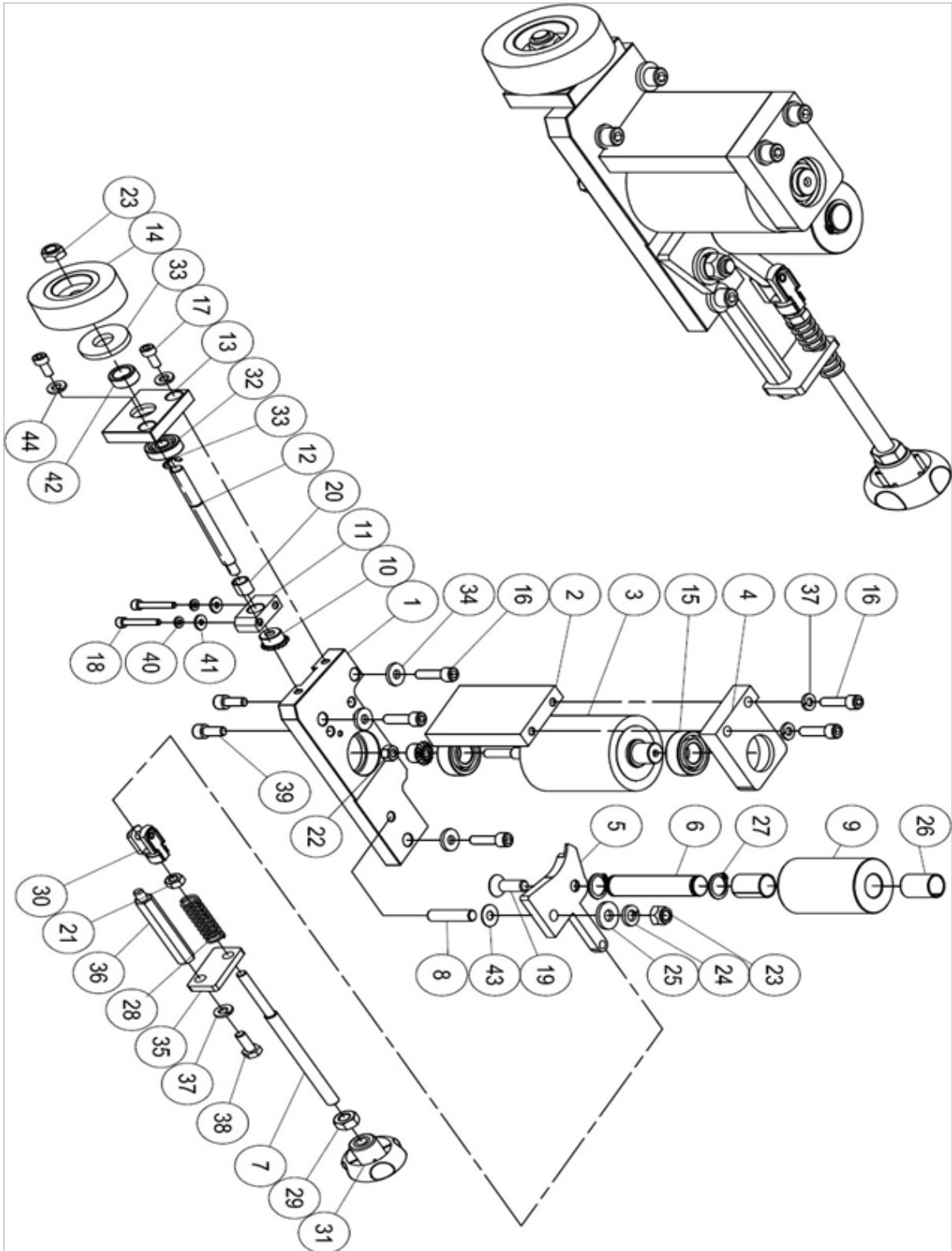
ITEM	PART NO.	PARTS NAME	SIZE	Q`TY	NOTE
1	721417	Extension Bracket		1	VE
2	721132	Pad		1	
3	721137	Gasket		5	
4	721536	Wheel Platform		10	
5	721131A	Body		1	VE
6	721138-3	By the Board		1	
7	AB205397A-N	Limits Switch (Asm.)		1	
8	709409	Outlet Beads	PG9	14	
9	136013	Outlet Beads	PG13.5	8	
10	AB721136	Limits Switch (Asm.)		1	
11	AB721339-N	Distribution Bottom Plate	3~ 380V	1	NOV
	AB721339A-N	Distribution Bottom Plate	1~ 220V	1	NOV
12	NF081300	Hex Flange Nut	M8	10	
13	SJ080500	Round Socket Head Cap Screw	M8*25L	5	
14	SR069400	Cap Screw	M6*16L	64	
15	SR080600	Cap Screw	M8*30L	5	
16	203249	Powerful magnet group		2	
17	721338	Distribution Box door		1	VE
18	721340	Distribution Box door		1	VE
19	721540	Platform		6	
20	721342	Mechanical Locks		1	
21	SJ050200	Round Socket Head Cap Screw	M5*10L	2	
22	WF051210	Washer	Ø5*Ø12*1.0T	3	
23	135051	Brush		1	
24	SJ050400	Round Socket Head Cap Screw	M5*20L	1	
25	WF101605	Washer	Ø10*Ø16*0.5T	40	
26	203481	Nylon Box Connector	N-MGN16-15B-ST	1	
27	AB721140	Micro Switch (Asm.)		1	
28	AB721403	Pressure Adjustment Group		1	
29	AB721350N	Solenoid Valve	AC220V	1	NOV
30	AB721367	Three-Point Combination Group		1	
31	201105	Power Box		1	
32	SR069300	Cap Screw	M6*12L	4	
33	WS060000	Spring Washer	M6	14	
34	SP040600	Pan Head Screw	M4*30L	2	
35	SP040300	Pan Head Screw	M4*15L	4	
	AB994809	Power switch group	1-220-240V 50Hz,CE	1	S,A

ITEM	PART NO.	PARTS NAME	SIZE	Q`TY	NOTE
36	AB994809A	Power switch group	3-380-415V 50Hz,CE	1	S,A
	AB994809-2	Power switch group	1-220-240V 60Hz,CSA	1	S,A
	AB994809-1	Power switch group	3-220-240V 60Hz,CSA	1	S,A
	721145	Switch Box		1	
37	721143	Extension of the supper Block		2	
38	994353	Bushing Bearing		4	
39	721144A	Extension rod		2	
40	WF082320	Washer	Ø8*Ø23*2.0T	6	
41	WS080000	Spring Washer	M8	4	
42	SH089300	Hex Head Bolt	M8*12L	2	
43	SR060400	Cap Screw	M6*20L	4	
44	WF061620	Washer	Ø6*Ø16*2.0T	8	
45	721424	Roller		35	
46	SP050800	Pan Head Screw	M5*40L	35	
47	NL050800	Nylon Hex Nut	M5	35	
48	SP069300	Pan Head Screw	M6*12L	4	
49	SR060500	Cap Screw	M6*25L	4	
50	NH061000	Hex Nut	M6	5	
51	721405	Control Box Stand		1	
52	WF081820	Washer	Ø8*Ø18*2.0T	2	
53	SR089300	Cap Screw	M8*12L	2	
54	SJ089400	Round Socket Head Cap Screw	M8*16L	2	
55	998808	Wave Tube	N-MGQ32-34B	1	
56	SS089200	Set Screw	M8*8L	4	
57	721336	Grounded Steel Plate		1	
58	721418	Support Tube		2	
59	NH121900	Hex Nut	M12	4	
60	201544	Adjust Foot	M12x75mm	2	
61	SS069400	Set Screw	M6*16L	2	
62	709421	Outlet Beads	PG20	4	
63	SR069300	Cap Screw	M6*12L	2	
64	WS060000	Spring Washer	M6	2	
65	721138-4	By the Board		1	
66	721159			1	
67	SR080400	Cap Screw	M8*1.25*20	2	
68	721537			20	
69	994208	needle bearing		40	
70	SH060500	Hex Head Bolt	M6*25L	1	
71	AB721404	Control Box ASM.		1	
72	SF050200	Pan Head Screw	M5*10L	5	

ITEM	PART NO.	PARTS NAME	SIZE	Q`TY	NOTE
73	998808	Wave Tube	N-MGQ32-34B	1	
74	204197	Wave Tube	NGN-28B	0.7	

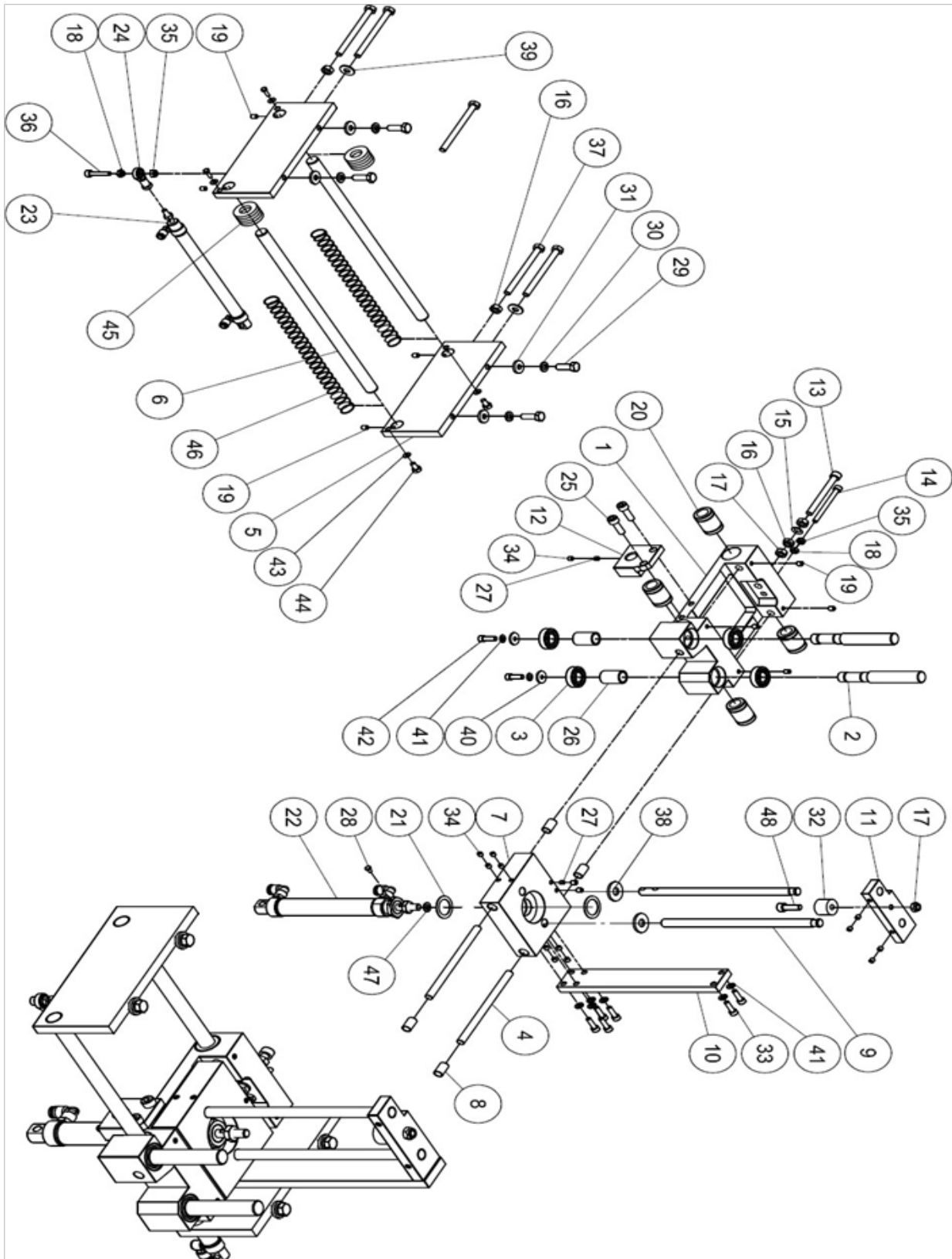


ITEM	PART NO.	PARTS NAME	SIZE	Q`TY	NOTE
1	721151	Base Bracket		1	
2	721152	Limit Block		1	
3	721147	Slider		1	
4	721146	Fixed Block		1	
5	721153	Board Plate		1	
6	721149	Screw Pole		1	
7	721148	Adjustment Screw Pole		1	
8	721155	Heater Plate Cover		1	Y
9	722377	Heater	220V 400W	1	V1.1
10	SH089300	Hex Head Bolt	M8*12	3	
11	WF081820	Washer	Ø8*Ø18*2T	3	
12	SR081100	Cap Screw	M8*55L	2	
13	SG050200	Hex Head Bolt (W/Flange)	M5*10L	2	
14	WS080000	Spring Washer	M8	2	
15	SR059300	Cap Screw	M5*12L	2	
16	SR060700	Hex Head Bolt	M6*35L	2	
17	WS050000	Spring Washer	M5	2	
18	WS060000	Spring Washer	M6	4	
19	SR060400	Cap Screw	M6*20L	2	
20	721150	Quick Release Handle		1	
21	WF083030	Washer	Ø8*Ø30*3T	1	



ITEM	PART NO	PARTS NAME	SIZE	Q`TY	NOTE
1	721161	Fixed Plate		1	
2	721162	Booster Plate		1	
3	721163	Wheel		1	
4	721164	Bearing Fixed Plate		1	
5	721165	Clutch Plate		1	
6	721173	Wheel Shaft		1	
7	721169	Rod		1	
8	721166	Shaft		1	
9	721175	Wheel		1	
10	721176	Gear		2	
11	721177	Fixed Bracket		1	
12	721179	Transmission Shaft		1	
13	721180	Bearing Fixed Plate		1	
14	721181	Wheel		1	
15	BB600203A	Ball Bearing	6002LLU	2	
16	SR060400	Cap Screw	M6*20L	5	
17	SR059300	Cap Screw	M5*12L	2	
18	SR040500	Cap Screw	M4*25L	2	
19	SM080400	Pan Head Screws Hexagon	M8*20L	1	
20	BD081001	Bushing Bearing	DU0810	1	
21	NH061000	Hex Nut	M6	1	
22	NL061000	Nylon Hex Nut	M6	1	
23	NL081300	Nylon Nut	M8	2	
24	WS080000	Spring Washer	M8	1	
25	WF081820	Washer	M8*18*2	1	
26	BD152001	Bushing Bearing	DU1520	2	
27	RS150000	C-Type Ring	S15	2	
28	721167	Spring		1	
29	NH081300	Hex Nut	M8	1	
30	721125	Y-Type Connector	M6	1	
31	721056	Plum Nut	M8	1	
32	BB608002A	Ball Bearing	608 ZZ	1	
33	RS070000	S-Type Ring	Ø7	1	
34	WF061620	Washer	Ø6*Ø16*2T	3	
35	721168	Connector Plate		1	
36	721182	Six Hex Pole		1	
37	WS060000	Spring Washer	M6	3	

ITEM	PART NO	PARTS NAME	SIZE	Q`TY	NOTE
38	SH069400	Hex Head Bolt	M6*16L	1	
39	SR069300	Cap Screw	M6*12L	2	
40	WS040000	Spring Washer	M4	1	
41	WF040810	Washer	Ø4*Ø8*1t	1	
42	200964	Shaft		1	
43	992607	Washer	Ø10*Ø20*0.2T	1	
44	WS050000	Spring Washer	M5	2	

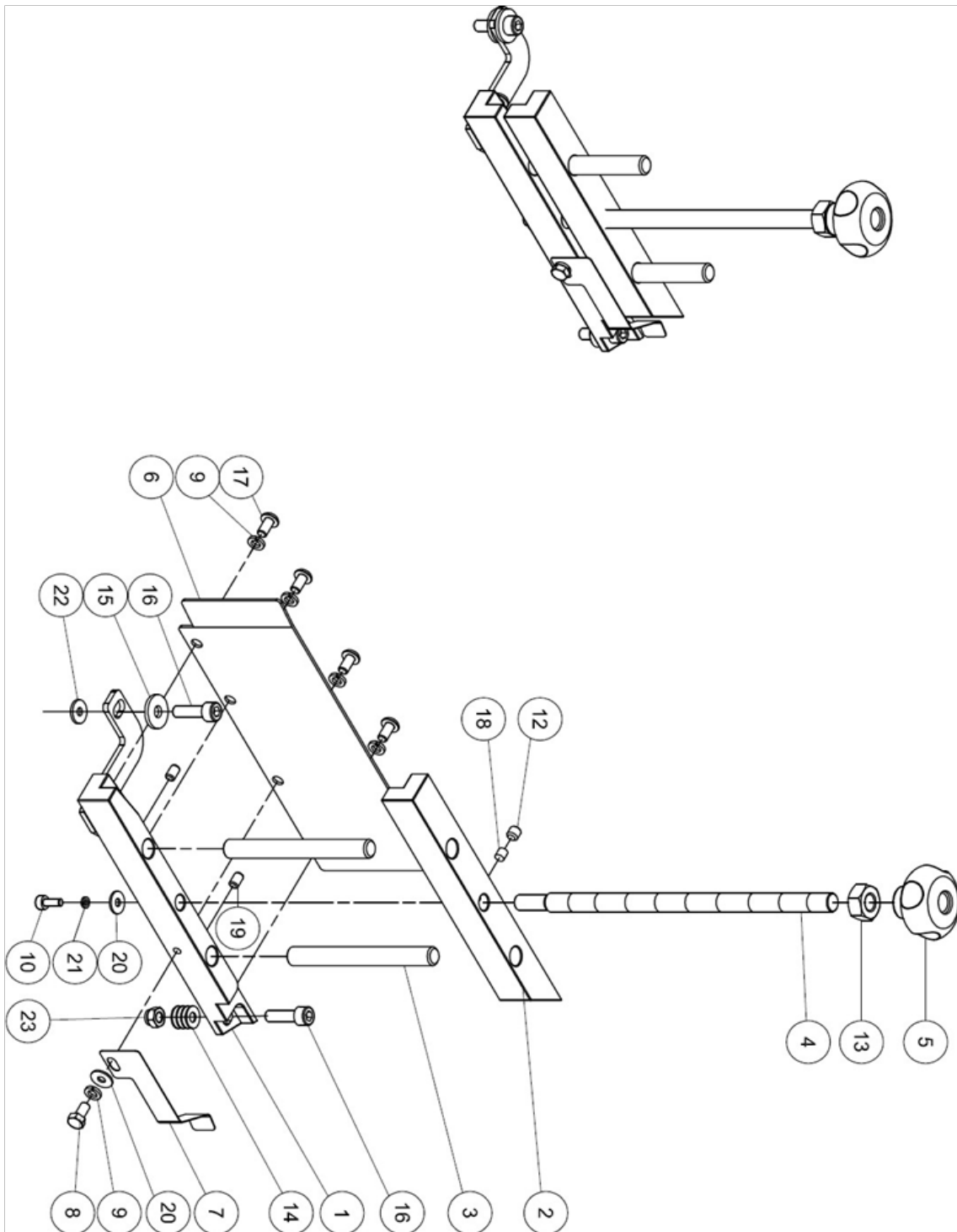


ITEM	PART NO	PARTS NAME	SIZE	Q`TY	NOTE
1	721186	Translation Base		1	
2	721191	Chrome Rod Park	Ø18*128L	2	
3	BB600203A	Ball Bearing	6002 LLU	4	
4	721206	Chrome Rod Park	Ø10*155L	2	
5	721188	Fixed Plate		2	
6	721187	Chrome Rod Park	Ø16*350L	2	
7	721194	Lifting Block		1	
8	BD102001	Dry Bearing	DU1020	4	
9	721197	Chrome Rod Park	Ø12*246.5L	2	
10	721198	Fixed Plate		1	
11	721199	On the Fixed Plate		1	
12	721202	Cylinder Fixed Block		1	
13	SR081600	Cap Screw	M8*80L	1	
14	SR061400	Cap Screw	M6*70L	1	
15	721205	Disc Washer	Ø15*Ø8*0.5T*1.7T	1	
16	NH081300	Hex Nut	M8	4	
17	NL081300	Nylon Nut	M8	2	
18	NL061000	Nylon Nut	M6	2	
19	SS069250	Set Screw	M6*8L	10	
20	BL280502	Linear Bearing	LME16	4	
21	WF253510	Washer	Ø25*Ø35*1T	2	
22	AB721192A	Pneumatic Cylinder ASM.	Ø25*100ST	1	
23	AB721203A	Pneumatic Cylinder ASM.	Ø16*150ST	1	
24	721201	The Rod-end Bearing	M6	1	
25	SR080400	Cap Screw	M8*20L	2	
26	721189	Interval Sets	Ø20*30L	2	
27	721072	ABS Strips	Ø4*5L	0.01	2
28	SH049100	Hex Head Bolt	M4*6L	1	
29	SH0805403	Hex Head Bolt	M8*25L	4	
30	WS080000	Spring Washer	M8	6	
31	WF082030	Washer	M8*Ø20*3T	4	
32	721200	Buffer Blocks	Ø25*19L	1	
33	SR060400	Cap Screw	M6*20L	6	
34	SS069150	Set Screw	M6*6L	13	
35	NH061000	Hex Nut	M6	2	
36	SR060600	Cap Screw	M6*30L	1	
37	SH081600	Hex Head Bolt	M8*80L	4	

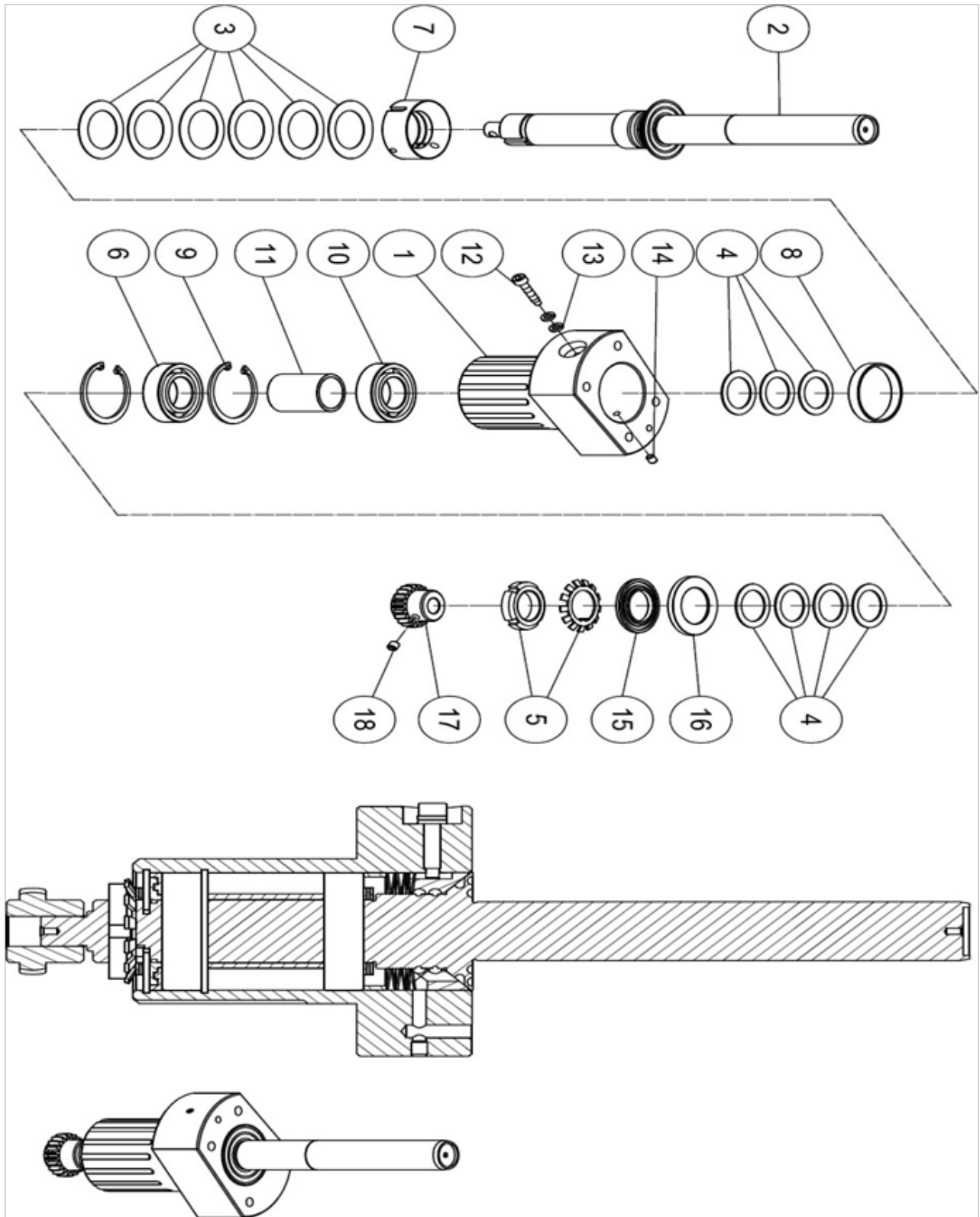
ITEM	PART NO	PARTS NAME	SIZE	Q`TY	NOTE
38	721204	Buffer Blocks		2	
39	WF082030	Washer	M8*Ø20*3.0T	4	
40	WF061920	Washer	M6*Ø19*2.0T	2	
41	WS060000	Spring Washer	M6	8	
42	SR069400	Cap Screw	M6*16L	2	
43	WF051210	Washer	M5*Ø12*1T	4	
44	SH050200	Hex Head Bolt	M5*10L	4	
45	721185	Buffer Blocks		8	
46	721207	Spring		2	
47	WS100000	Spring Washer	M10	1	
48	SJ080500	Round Socket Head Cap Screw	M8*25L	1	

ITEM	PART NO.	PART NAME	SIZE	Q`TY	NOTE
1	MA721216	MOTOR	1/4HP(0.18KW) 2P	1	220/380V 3~
	MA721216A	MOTOR	1/4HP(0.18KW) 2P	1	220V 1~
2	721215	Motor Fixed Bracket		1	
3	721221	Support By the Board		1	
4	721227A	plank		1	
5	BB692002	Ball Bearing	692ZZ	4	
6	SM059400	shallow Cap Screw	M5x16	4	
7	SS0399003	Set Screw	M3*3	2	
8	722642	pin		2	
9	721232	Disc Washers	Ø12*Ø5*0.6T	24	
10	BB620204	Ball Bearing	6202LLB	2	
11	721222	Shaft		1	
12	RR350000	C-Type Ring	R35	1	
13	721224	Repair Spindle		1	
14	721220	Pully Washer		1	
15	721229	Stop Flakes		1	
16	SR080400	Cap Screw	M8*20L	1	
17	721223	Flange		1	
18	721218	Cutter		2	
19	721219	Spacer Ring		1	
20	721217	Flange		1	
21	721214A	Gear Type Pulley		1	
22	721225	Pad		1	
23	721212	Belt Adjust Block		1	
24	721211A	Cover		1	
25	721230	Dust Cover		1	
26	721231	Brush	2240mm/pc	0.05	112mm
27	SH069402	Hex Head Bolt	M6*16L	1	
28	BL210402	Linear Bearing	LM12UU	4	
29	721213	Toothed Belt	T5-500L-10W	1	
30	BB690404	Ball Bearing	6904LLB	1	
31	SR060400	Cap Screw	M6*20L	2	
32	WS060000	Spring Washer	M6	2	
33	SR059300	Cap Screw	M5*12L	2	
34	WF051210	Washer	Ø5*Ø12*1T	6	
35	SR060800	Cap Screw	M6*40L	2	

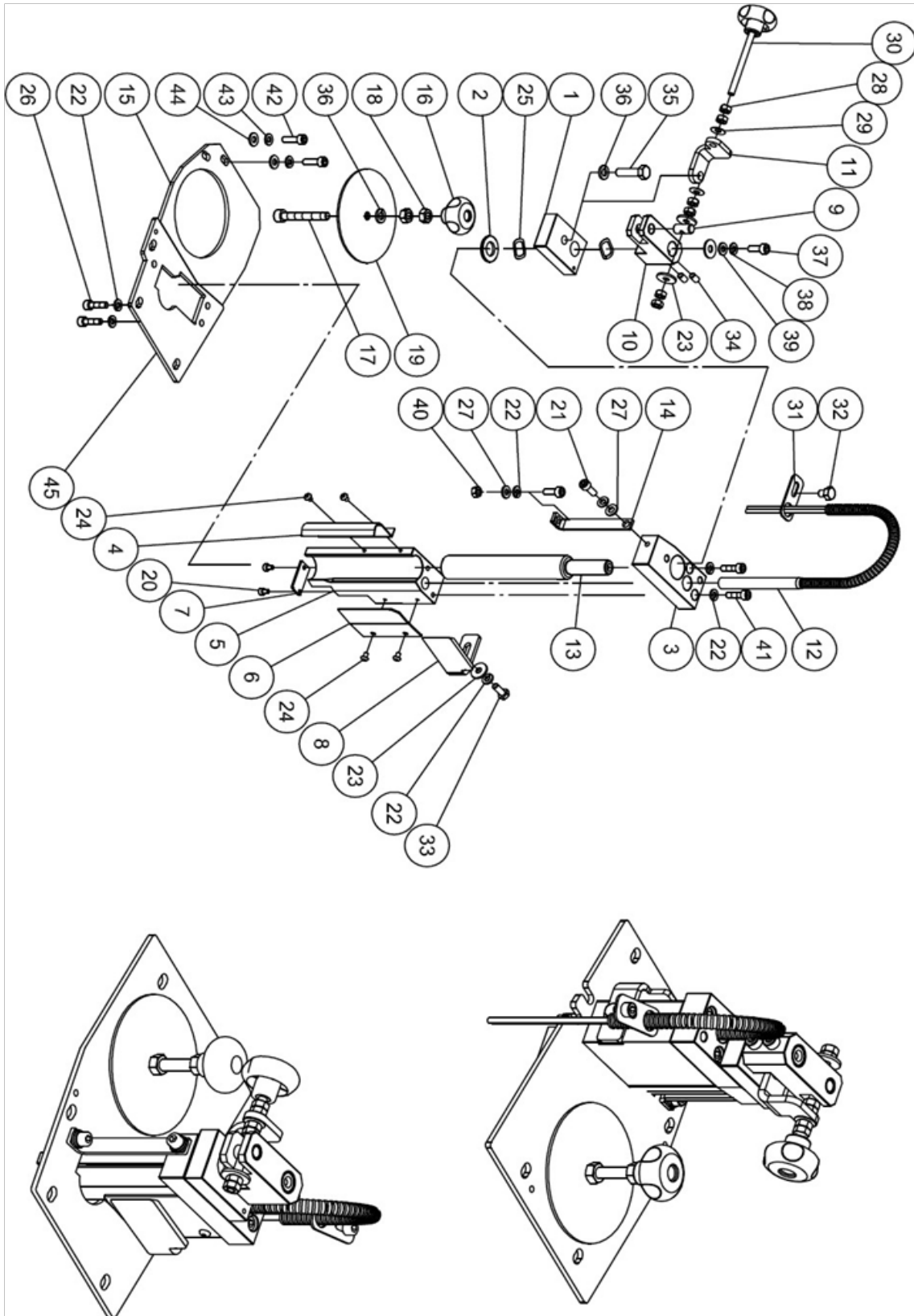
ITEM	PART NO.	PART NAME	SIZE	Q`TY	NOTE
36	WF061920	Washer	M6	2	
37	SR059400	Cap Screw	M5*16L	4	
38	721227B	plank		1	V1.1
39	WS050000	Spring Washer	M5	2	
40	SR059400	Cap Screw	M5*16L	2	
41	IM721001	Motor Cord	0.5mm x 4C	1	380V 3-CE(V1.1)
	IM721031	Motor Cord	0.75mm x 3C	1	220V 1-CE(V1.1)
42	992622	Washer	Ø15.2*Ø22*0.2T	1	
43	WF551010	Washer	Ø3/16*Ø10*1T	8	
44	SS0501503	Stop screw	M5*0.8*5	3	V1.1
45	SS0501503	Stop screw	M5*0.8*5		



ITEM	PART NO	PARTS NAME	SIZE	Q`TY	NOTE
1	721236	Low side Pressure Plate		1	
2	721237	Upside Pressure Plate		1	
3	721238	Chrome Rod Park	Ø10*90L	2	
4	721239	Adjustment Screw	M10*P1.5	1	
5	721240	Plum Nut	M10	1	
6	721242	Protection Plate		1	
7	721244	Spring Flakes		1	
8	SH050200	Hex head Bolt	M5*10L	1	
9	WS050000	Spring Washer	M5	5	
10	SJ040200	Round Socket Head Cap Screw	M4*10L	1	
12	SS069100	Set Screw	M6*6L	1	
13	NH101700	Hex Nut	M10	1	
14	206395	Disc Washers	Ø6.2*Ø15*0.5t	8	
15	WF061820	Washer	Ø6*Ø18*2T	2	
16	SR060400	Cap Screw	M6*20L	2	
17	SJ050200	Round Socket Head Cap Screw	M5*10L	4	
18	721072	ABS Strips	Ø4*5L	0.01	1
19	SS059200	Set Screw	M5*8L	2	
20	WF051210	Washer	Ø5*Ø12*1T	2	
21	WS040000	Spring Washer	M4	1	
22	WF061310	Washer	Ø6*Ø13*1T	1	
23	NL061000	Nylon Nut	M6	1	

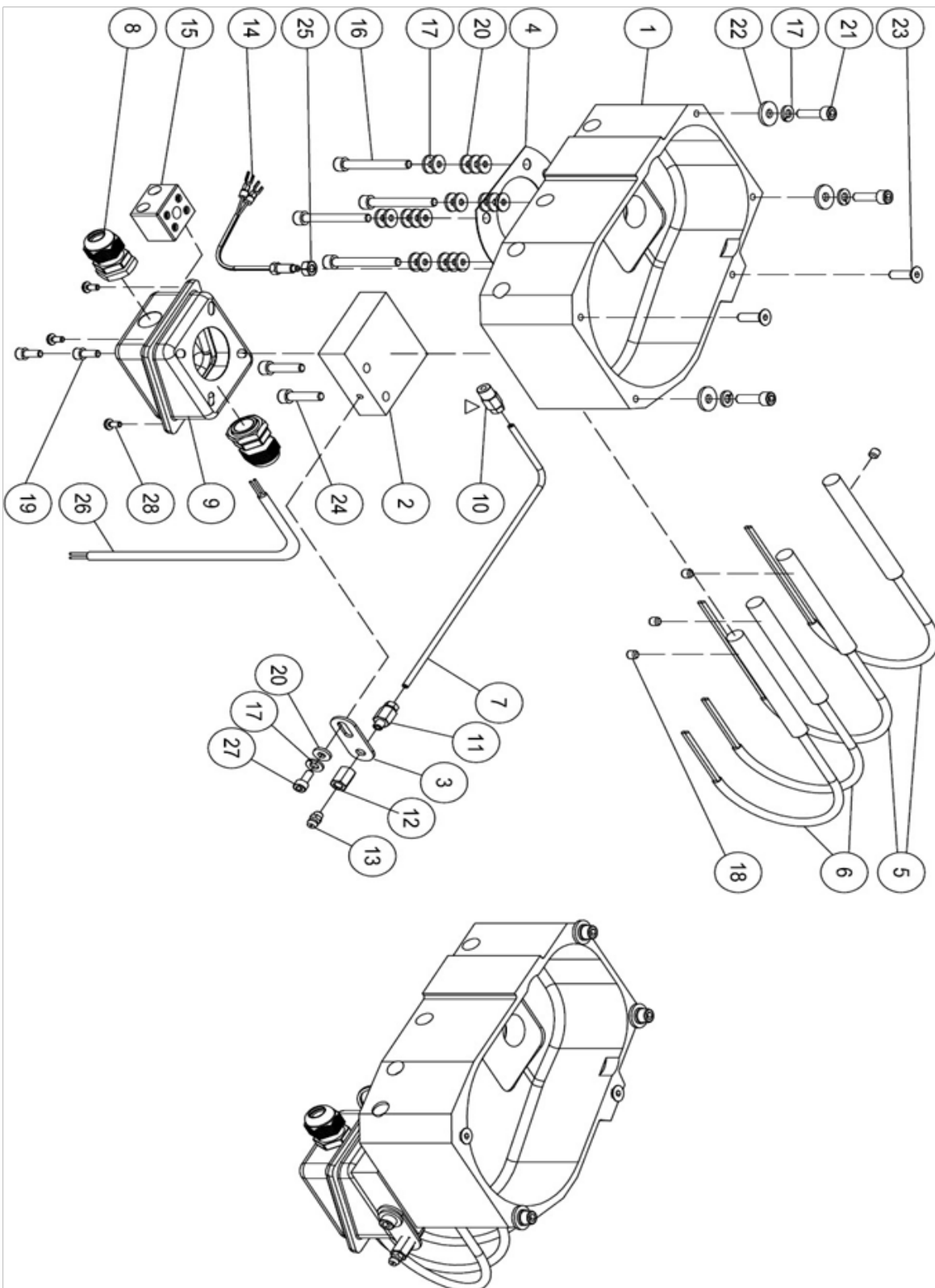


ITEM	PART NO	PARTS NAME	SIZE	Q`TY	NOTE
1	721253	SPREAD GLUE BASE		1	
2	721255	SPREAD GLUE SHAFT		1	
3	721247	DISC WASHER		6	
4	WF253510	Flat Washer	Ø25*Ø35*1T	7	
5	721252	LOCKING NUT(& STAR WASHER)		1	
6	BB600502A	BALL BEARUNG	6005ZZ	1	
7	721246	BUSHING		1	
8	721248	BUSHING		1	
9	RR470000	RETAINING RING	R47	2	
10	BB600500A	BALL BEARUNG	6005	1	
11	721250	BUSHING		1	
12	721251	STEP BOLT		1	
13	WS050000	Spring Washer	M5	2	
14	SS059100	SET SCREW	M5x6	1	
15	721257	PREVENT DUST INSIDE RING		1	
16	721256	PREVENT DUST OUTSIDE RING		1	
17	721308	SHAFT JOIN GEAR		1	
18	SS069200	SET SCREW	M6x8L	1	

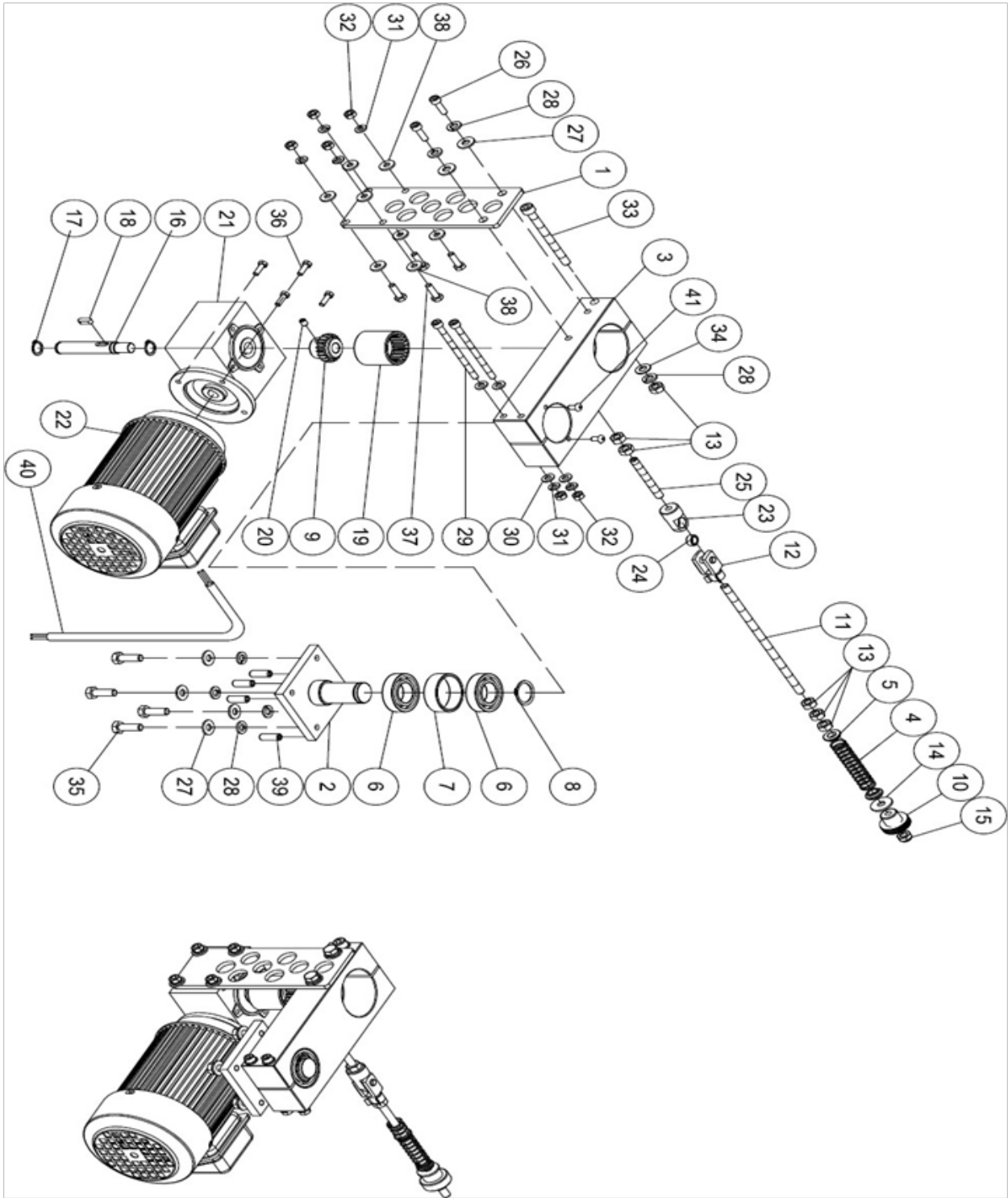


ITEM	PART NO.	PARTS NAME	SIZE	Q`TY	NOTE
1	721261	LOCATE BLOCK		1	
2	721262	SPACER		1	
3	721264	LOCATE BLOCK		1	
4	721266	COVER PLATE		1	
5	721267	ADJUST BSAE		1	
6	721268	COVER PLATE		1	
7	721269	COVER PLATE		1	
8	721270	GUIDE PLATE		1	
9	721272	SHAFT		1	
10	721273	ADJUST BLOCK		1	
11	721274	LOCATE PLATE		1	
12	721275	HEATER	315W 220V	1	
13	721265	ADJUST ROTATE TUBE		1	
14	721263	SUPPORT PLATE		1	
15	721548	GLUE BARREL UPPER COVER		1	
16	721056	KNOB	M8	1	
17	SR081100	HEX SOCKET BOLT	M8x55	1	
18	NH081300	NUT	M8	2	
19	721278A	GLUE BARREL COVER		1	
20	SR049100	HEX SOCKET BOLT	M4x6	2	
21	SR069400	HEX SOCKET BOLT	M6x16	2	
22	WS060000	SPRING WASHER	M6	7	
23	WF061920	FLAT WASHER	Ø6xØ19x2t	3	
24	SJ049100	HEX SOCKET BUTTON HEAD SCREW	M4x6	4	
25	WW152203	WAVE WASHER	Ø15xØ22	2	
26	SR0693403	HEX SOCKET BOLT	M6x12L	2	
27	WF061310	FLAT WASHER	Ø6xØ13x1t	2	
28	NH061000	NUT	M6	6	
29	206395	DISC WASHER	M6	2	
30	721276	KNOB SCREW	M6	1	
31	721277A	LOCATE PLATE		1	
32	SG069200	Hex Head Bolt (W/Flange)	M6x8	1	
33	SH0694403	HEX HEAD BOLT	M6x16	1	
34	SS069200	SET SCREW	M6x8	2	
35	SH0806403	HEX HEAD BOLT	M8x30	1	
36	WS080000	SPRING WASHER	M8	2	

ITEM	PART NO.	PARTS NAME	SIZE	Q`TY	NOTE
37	SR0594403	HEX SOCKET BOLT	M5x16L	1	
38	WS050000	SPRING WASHER	M5	1	
39	WF051210	FLAT WASHER	Ø5xØ12x1t	1	
40	NF061000	FLANGE NUT	M6	1	
41	SR0604403	HEX SOCKET BOLT	M6x20L	2	
42	SR060400	Cap Screw	M6*1*20	2	
43	WS060000	SPRING WASHER	M6	2	
44	WF061320	FLAT WASHER	M6*Ø13	2	
45	721549	GLUE BARREL UPPER COVER		1	

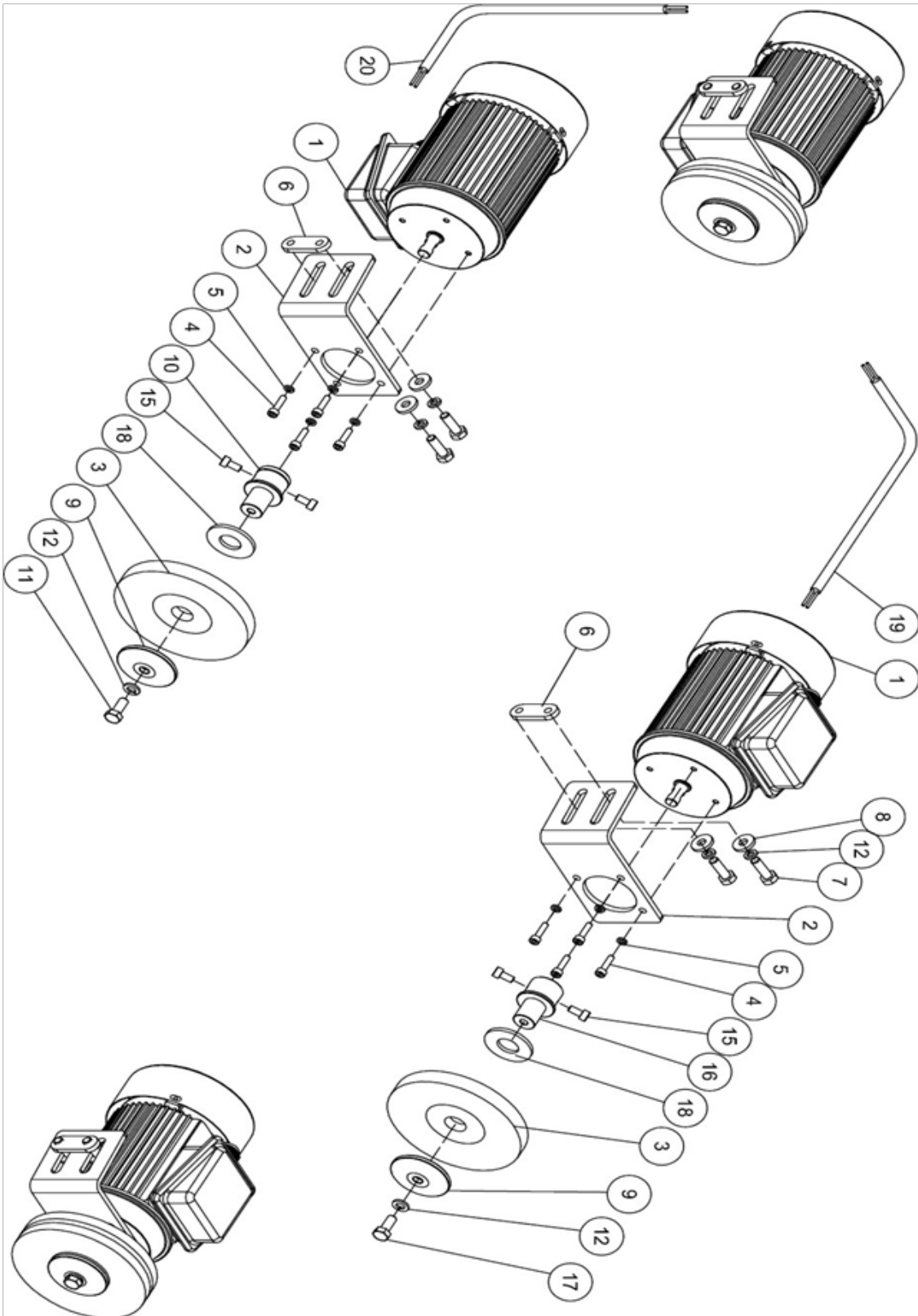


ITEM	PART NO.	PARTS NAME	SIZE	Q`TY	NOTE
1	721281	Cones		1	
2	721286	Electricity Boards		1	
3	721283	Fixed Plate		1	
4	721293	Non-Asbestos Gasket		1	
5	721284	Heater	220V 160W	2	
6	721285	Heater	220V 250W	2	
7	721282	Brass		0.3	300mm
8	709411	Outlet Beads	PG 11	2	
9	721287	Connector Box		1	
10	721291	Lubrication Of Joints		1	
11	721289	Lubrication Of Joints		1	
12	721290	Adapter		1	
13	203198	Butter Mouth	M6*P1.0	1	
14	721288	Temperature Line		1	
15	721280	Ceramic Terminal Block		1	
16	SR061003	Cap Screw	M6*50L	4	
17	WF061310	Washer	Ø6*Ø13*1T	8	
18	SS069100	Set Screw	M6*6L	4	
19	SR059300	Cap Screw	M5*12L	2	
20	206395	Disc-shaped washer		12	V1.1
21	SR0604403	Cap Screw	M6*20L	3	
22	WF061620	Washer	Ø6*Ø16*2T	3	
23	SM0604403	Pan Head Screws Hexagon	M6*20L	2	
24	SR060500	Cap Screw	M6*25L	2	
25	NH561000	Nut	1/4"-20UNC	1	
26	IC721012	Power Cord	2.0mm ² x2C	1	
27	SR069300	Cap Screw	M6*12L	1	
28	SP049200	Pan Head Screw	M4*8L	4	



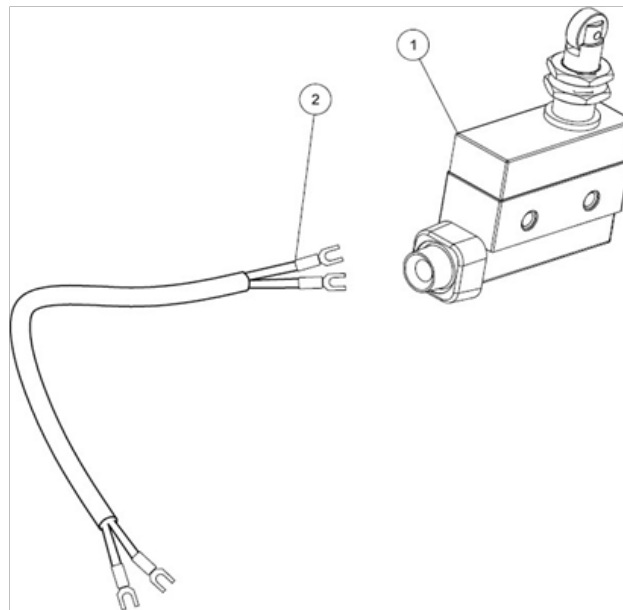
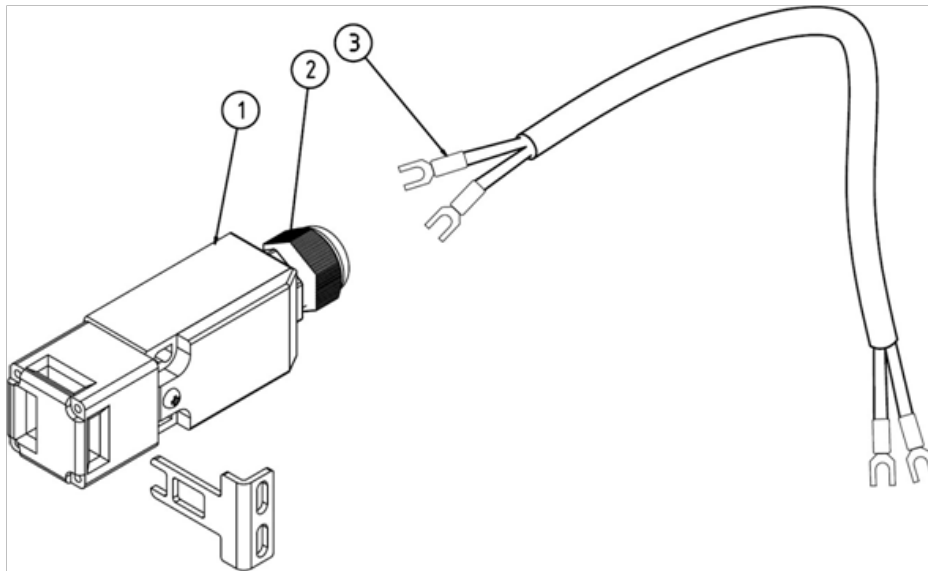
ITEM	PART NO.	PARTS NAME	SIZE	Q`TY	NOTE
1	721312	Motor Fixed Plate		1	V1.1
2	721297	Spindle Bracket		1	
3	721299A	Fixed Bracket		1	
4	721304	Spring		1	
5	721305	Gasket		2	
6	BB600502A	Ball Bearing	6005ZZ	2	
7	721313	Ring		1	
8	RS250000	C-Type Ring	S25	1	
9	721308	Spindle Connector Gear		1	
10	721306	Plum Nut	M8	1	
11	721303	Screw Plot	M8	1	
12	721301	Y-type Connector	M8	1	
13	NH081300	Hex Nut	M8	6	
14	WF082320	Washer	Ø8*Ø23*2T	1	
15	NL081300	Nylon Nut	M8	1	
16	721309	Transmission Shaft		1	
17	RS140000	C-Type Ring	S14	2	
18	KD050515	Key	5*5*15L	1	
19	721307	Spindle Connector Ring		1	
20	SS069200	Set Screw	M6*8L	1	
21	721310	Reducer	NMRV030-1/20-63B14	1	50Hz
	721310A	Reducer	NMRV030-1/25-63B14	1	60Hz
22	MA721311	Motor	1/3HP(0.25KW) 4P	1	220/380V 3~(V1.1)
	MA721311A	Motor	1/3HP(0.25KW) 4P	1	220V 1~(V1.1)
23	721300a	Connector		1	
24	200964	Shaft		1	
25	SS081300	Set Screw	M8*65L	1	
26	SR080400	Cap Screw	M8*20L	2	
27	WF081818	Washer	Ø8*Ø18*1.8t	6	
28	WS080000	Spring Washer	M8	7	
29	SR061803	Cap Screw	M6*90L	2	
30	WF061310	Washer	Ø6*Ø13*1t	4	
31	WS060000	Spring Washer	M6	6	
32	NH061000	Hex Nut	M6	6	
33	SR081803	Cap Screw	M8*90L	1	
34	WF081820	Washer	Ø8*Ø18*2t	1	

ITEM	PART NO.	PARTS NAME	SIZE	Q`TY	NOTE
35	SH080600	Hex Head Bolt	M8*30L	4	
36	SH059300	Hex Head Bolt	M5*12L	4	
37	SH060401	Hex Head Bolt	M6*20L	4	
38	WF061620	Washer	Ø6*Ø16*2t	8	
39	SH0894403	Hex Head Bolt	M8*16L	4	
40	IM721004	Motor Cord	0.5mm x 4C	1	380V 3~ CE
	IM721034	Motor Cord	0.75mm x 3C	1	220V 1~ CE
41	SJ069200	Round Socket Head Cap Screw	M6*8L	2	

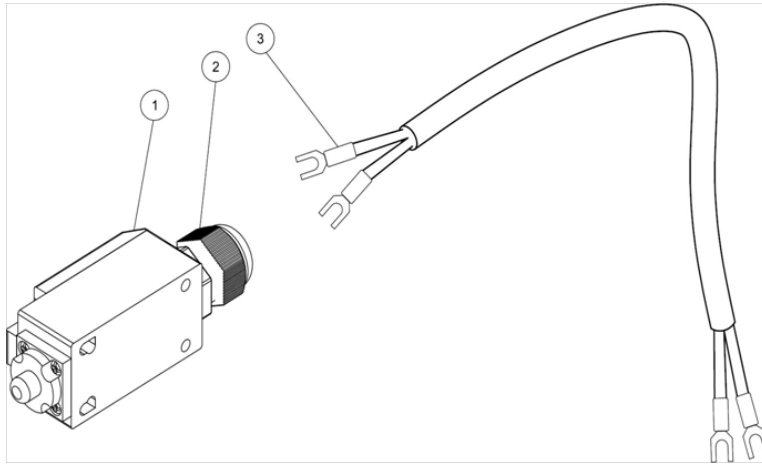


ITEM	PART NO.	PARTS NAME	SIZE	Q`TY	NOTE
	MA721321A	Motor	1/4HP(0.18KW) 2P	1	S/220V 1~
1	MA721321B	Motor	1/4HP(0.18KW) 2P	1	S/220V 1~
	MA721321	Motor	1/6HP(0.12KW) 2P	2	S/220/380V 3~
	721319	Motor Fixed Plate		2	
2	721317	Wheel	5"	2	
3	SR059400	Cap Screw	M5*16L	8	
4	WS050000	Spring Washer	M5	8	
5	721324	Fixed Plate	M8	2	
6	SH080500	Hex Head Bolt	M8*25L	4	
7	WF082030	Washer	Ø8*Ø20*3t	4	
8	721316	Flange Flakes		2	
9	721322	Wheel Spindle		1	
10	SH080400	Hex Head Bolt	M8*20L	1	
11	WS080000	Spring Washer	M8	6	
12	SR069300	Cap Screw	M6*12L	4	
15	721318	Wheel Spindle		1	
16	SH080402	Hex Head Bolt	M8*20L	1	
17	721320	Washer	Ø22*Ø55*3t	2	
18	IM721006	Motor Cord	0.5mm x 4C	1	
19	IM721005	Motor Cord	0.5mm x 4C	1	

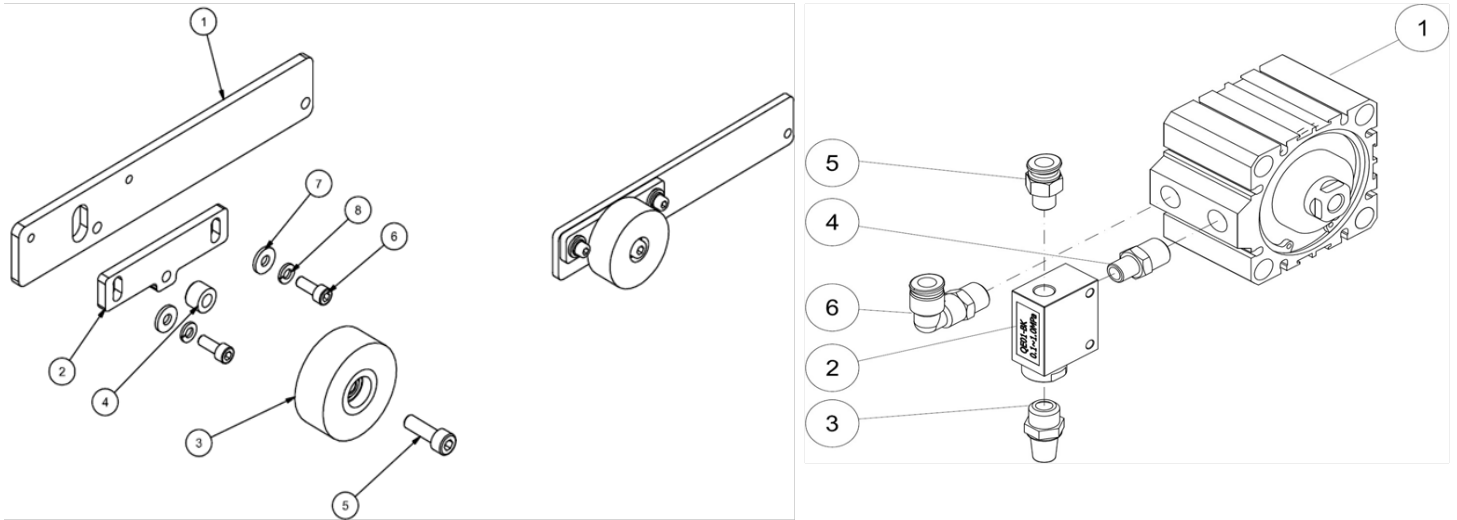
ITEM	PART NO	PARTS NAME	SIZE	Q`TY	NOTE
1	721402	Back Cover		1	R
2	721546	Front Cover		1	R
3	612030	Living leaf		2	
4	BR000043	Pop Rivet	4-3 Ø3.2 x 8.9	18	
5	721333	Transparent Cover		1	
6	201624	Handle		1	
7	136826	Hinge	LY-4050	2	
8	721550	plank		1	R
9	SR059300	Cap Screw	M5*12L	8	
10	135041	Knob		1	
11	721335	Cover		1	FG
12	721545A	Front Cover		1	R
13	WF051210	Washer	Ø5*Ø12*1.0T	8	
14	721422A	Transparent Cover		1	
15	721421A	Cover		1	RP
16	721329	Cover		1	FG
17	NF081300	Flange Nut	M8	2	
18	SR089400	Cap Screw	M8*16L	2	
19	SJ059200	Round Socket Head Cap Screw	M5*8L	8	
20	WF061920	Washer	Ø6*Ø19*2.0T	4	
21	LM721012	indicate paste paper		1	
22	SR069300	Cap Screw	M6*12L	5	
23	SG069200	Hex Head Bolt (W/Flange)	M6*8L	8	
24	SP040200	Pan Head Screw	M4*10L	10	
25	WF040810	Washer	Ø4*Ø8*1.0T	10	
26	NH040700	Hex Nut	M4	10	
27	721345	Hose	Ø2.5"*25	1	
28	721346	Hose	Ø2.5"*36	1	
29	721411	Hose	Ø2.5"*46	1	
30	SR060400	Cap Screw	M6*20L	1	
31	NL061000	Nylon Hex Nut	M6	2	
32	SG059200	Hex Head Bolt (W/Flange)	M5*8L	4	
33	L1500000000000000		15CM	6	
34	WS060000	Spring Washer	M6	4	
35	721409	Fixed Plate		2	



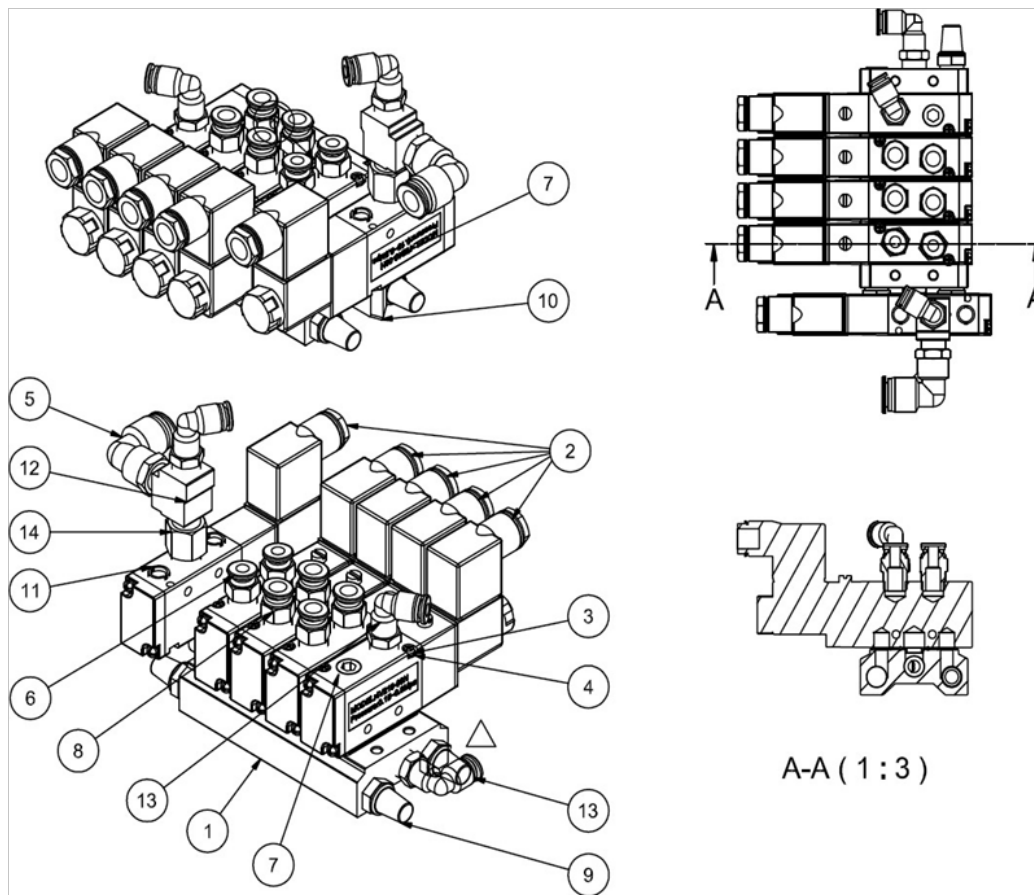
ITEM	PART NO	PARTS NAME	SIZE	Q`TY	NOTE
1	205397A	Limits Switch		1	
2	IC721007	SWITCH CORD	0.5mm ² x2C	1	



ITEM	PART NO	PARTS NAME	SIZE	Q`TY	NOTE
1	721037	Door Safety Switch	AZD-1001T	1	
2	709411	Outlet Beads	PG11	1	
3	IC721041	SWITCH CORD	0.5mm ² x2C	1	



ITEM	PART NO	PARTS NAME	SIZE	Q`TY	NOTE
1	721100	Cylinders	Ø63*20ST	1	
2	721097	Rapid Exhaust Valve	QE01-BK	1	
3	721373	Valve Silencer	PT1/4"	1	
4	721099	Adapter	PT1/8"-PT1/4"	1	
5	721096	Threaded Through	EPC8-01	1	
6	721095	L-Type Joints	EPL8-2	1	



ITEM	PART	PARTS NAME	SIZE	Q`TY	NOTE
1	721350	Aluminum Base		1	
2	721351	Solenoid Valve	4V210-08H	5	
3	SP030800	Pan Head Screw	M3*40L	8	
4	WS030000	Spring Washer	M3	8	
5	721357	L-Type	EPL10-2	1	
6	721358	Threaded Through	EPC6-2	2	
7	721359	Plug	PT1/4"	2	
8	721365	Threaded Through	EPC8-2	4	
9	721373	Valve Silencer	PT1/4"	4	
10	721527	L-copper	PT1/4"	1	
11	721374	Silencer	PT1/8"	2	
12	721355	Joints	PT1/4"	1	
13	721366	L-Type	EPC6-2	3	
14	721356	Adapter	PT1/4"xPT1/4"	1	

8 Terms of Warranty

MAKSIWA assures the owner that their equipment, identified by the Serial number issued on the Warranty Terms.

The equipment under warranty, for two (2) years, is as followed:

1. The warranty period begins on the date of the Warranty Terms below.
2. Within the warranty period, the manual labor and the components replaced by manufacturing defect will be provided for free if duly proved by Maksiwa Service.
3. Third-party manufacturing equipment that makes up the MAKSIWA equipment (such as motors, electrical equipment, belts etc.) are subject to the terms and conditions of warranty of their respective manufacturers.
4. In case an exchange of machine is needed, please return the defective part or machine to MAKSIWA.
5. All workplace adaptations for the equipment are under the responsibility of the machine owner.
6. If you notice any defect or malfunction when receiving the equipment, get in touch immediately with the manufacturer or Dealer. Do not turn it on.
7. Not included in this warranty is any technical visits aimed at cleaning or adjustments caused by wear, resulting from normal use of the equipment.
8. The warranty does not cover problems caused by mistreatment, carelessness, misuse or inappropriate use of the functions designed for this equipment in this manual, as well as poorly executed operations by untrained operators to operate it.
9. MAKSIWA is not responsible for lost productivity, direct or indirect damages caused to the owner of the equipment or to third parties, or any other expense, including lost profits.
10. This equipment requires the use of a dust collection system with a minimum of 2 hp.
11. Even under warranty, you may lose its validity as follows:
 - a) Application of non-original components;
 - b) Alteration of its original features;
 - c) Lack of proper maintenance;
 - d) Improper use of the equipment;
 - e) Change in equipment or electronic connections;
 - f) Damage caused by mechanical shock or exposure to unsuitable conditions (humidity, salt spray, corrosive agents, etc.);
 - g) Damage caused by bad weather (floods, flooding, lightning, power outages etc.);
 - h) Maksiwa is not responsible for damages to electrical components cause by power variation in your area.
 - i) Removable of safety equipment will void your warranty. (Riving Blade, Blade Cover, etc.).

For your safety, trust the repairs, maintenance and adjustments (including inspection and replacement) for technical assistance recommended by MAKSIWA, always use genuine spare parts and accessories, reassembling to its original machine the same way.

MODEL:

SERIAL NUMBER:

DATE:

LOT NUMBER:

Imported by:

Maksiwa International Inc.

4100 N Powerline Rd, Suite D3

Pompano Beach, Florida

ZIP Code: 33073

Telephone: +1 (754) 205-6717 | Call us free: +1 (844) 319-6594

E-mail: customer.service@maksiwa.com

www.maksiwa.com