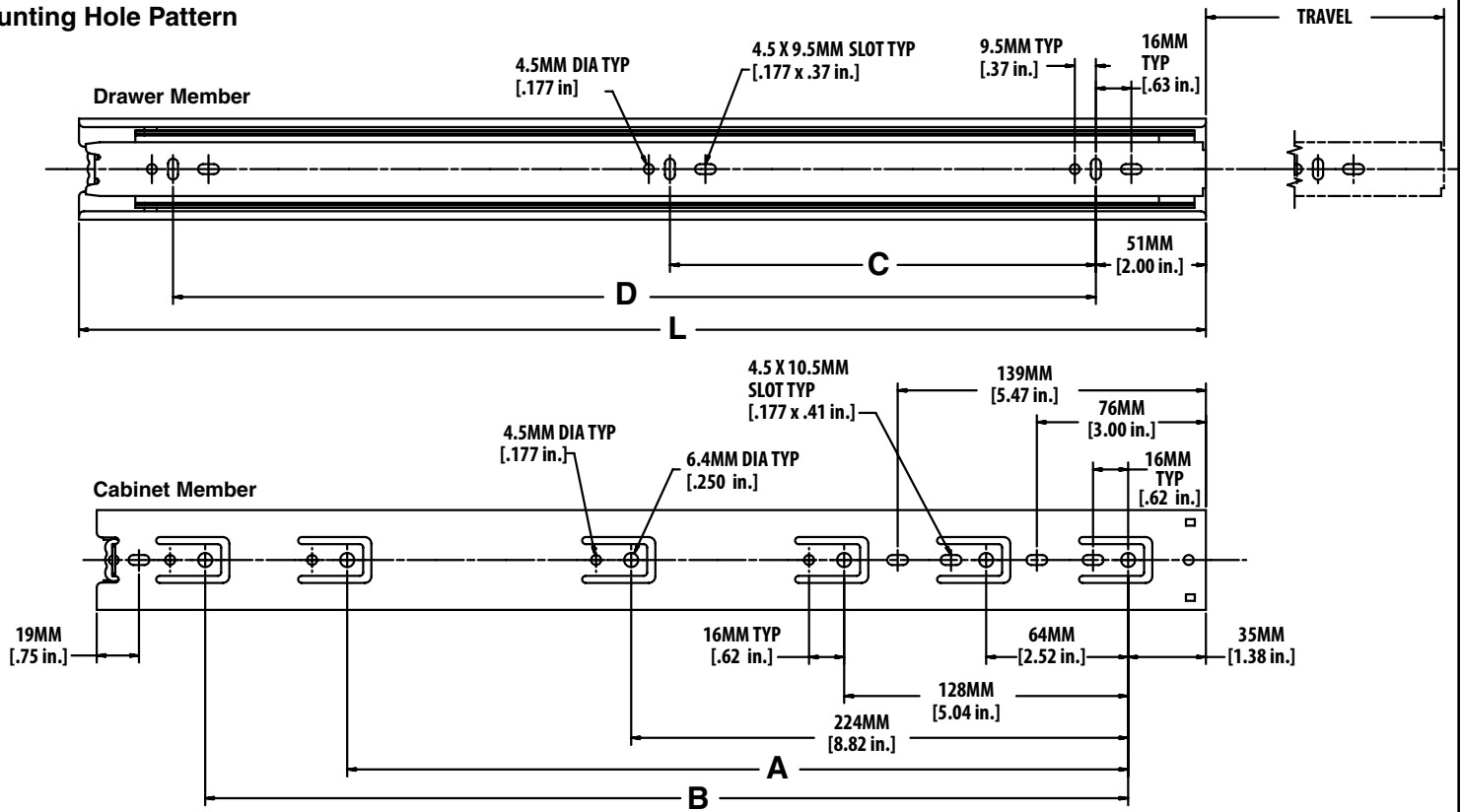
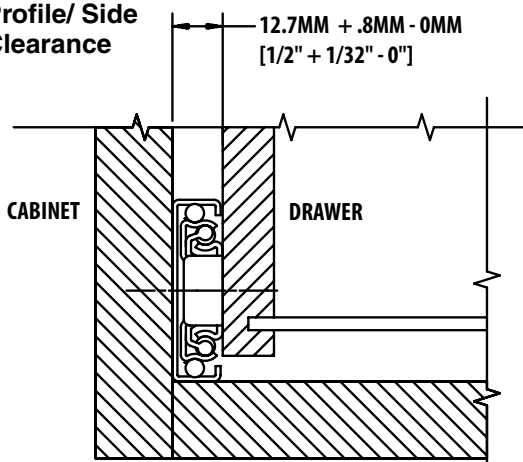


Mounting Hole Pattern

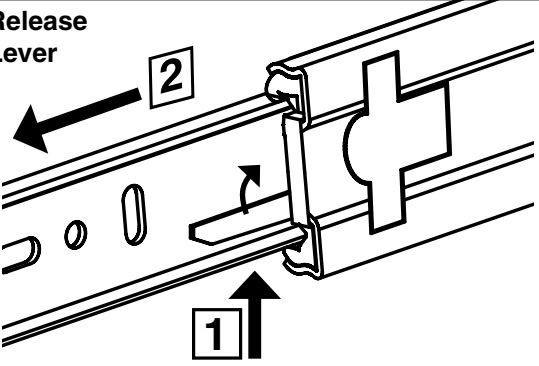


Slide Size	L	Travel	A	B	C	D
350MM	350MM [13.78]	350MM [13.78]	—	—	128MM [5.04]	256MM [10.08]
400MM	400MM [15.75]	400MM [15.75]	288MM [11.34]	—	160MM [6.30]	320MM [12.60]
450MM	450MM [17.72]	450MM [17.72]	352MM [13.86]	—	160MM [6.30]	352MM [13.86]
500MM	500MM [19.69]	500MM [19.69]	352MM [13.86]	416MM [16.38]	192MM [7.56]	416MM [16.38]
550MM	550MM [21.65]	550MM [21.65]	352MM [13.86]	416MM [16.38]	224MM [8.82]	448MM [17.64]

Profile/ Side Clearance



Release Lever



Product Information

- Available in the following lengths: 350MM, 400MM, 450MM, 500MM, 550MM
- Bulk Packaging: 10 Sets per Carton
- Load Rating: 100 Pounds
- Finish: Zinc
- Lever Release
- Traditional and 32mm Mounting Hole Pattern
- 1 Year Limited Warranty

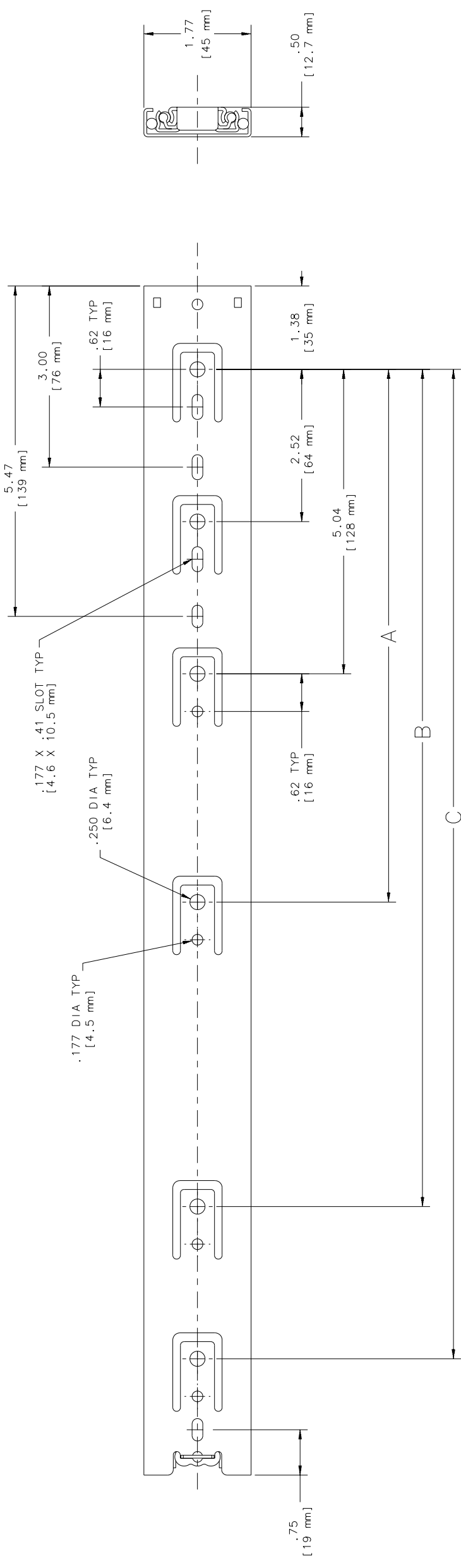
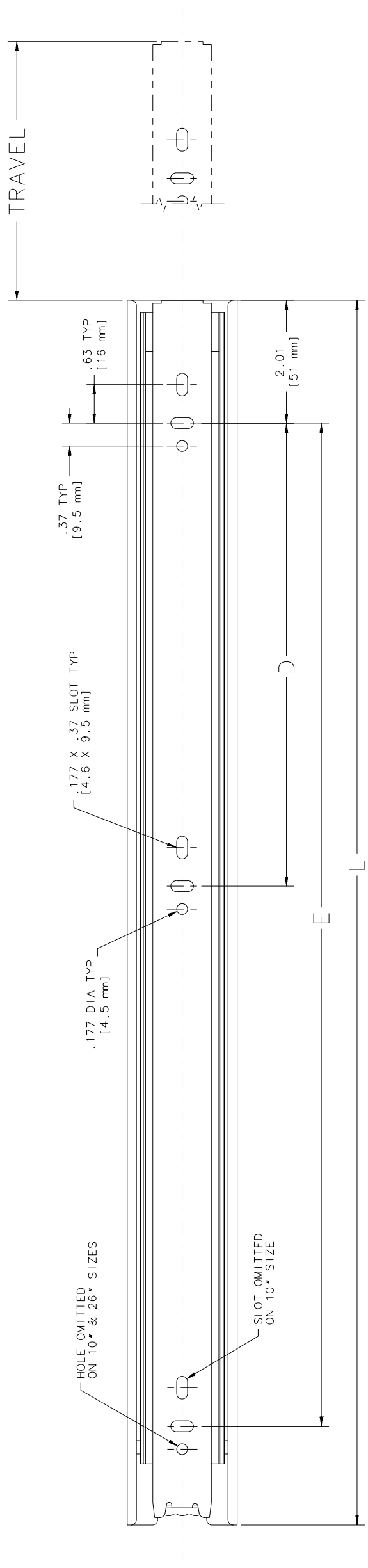
Warranty Information

Tru-Trac offers a One Year Limited Warranty to the initial purchaser of this product. This warranty covers defects in materials and workmanship, which occur during normal use, and the remedy is limited to only repair or replacement of the defective product, at Tru-Trac's option. This warranty does not apply to defects resulting from misuse, damage or abuse, normal wear and tear, accident, modification, improper installation or maintenance, third party materials or damage during shipping.

For warranty service, please contact Tru-Trac, PO Box 150047, Grand Rapids, Michigan 49515-0047. Any defective product must be returned postage or freight prepaid to Tru-Trac and must include a claimed defect and date of purchase.

THIS ONE YEAR LIMITED WARRANTY CONSTITUTES THE ONLY WARRANTY AND SOLE REMEDY FOR THE PRODUCTS AND ALL OTHER WARRANTIES OR REPRESENTATIONS ARE HEREBY EXPRESSLY DISCLAIMED.

Copyright 2007 Tru-Trac, all rights reserved.



SLIDE SIZE	L	TRAVEL	A	B	C	D	E
10*	9.84 [250]	9.84 [250]	-	-	-	6.93 [176]	-
12*	11.81 [300]	11.81 [300]	8.82 [224]	-	-	3.78 [96]	8.82 [224]
14*	13.78 [350]	13.78 [350]	8.82 [224]	-	-	5.04 [128]	10.08 [256]
16*	15.75 [400]	15.75 [400]	8.82 [224]	11.34 [288]	-	6.30 [160]	12.60 [320]
18*	17.72 [450]	17.72 [450]	8.82 [224]	13.86 [352]	-	6.30 [160]	13.86 [352]
20*	19.69 [500]	19.69 [500]	8.82 [224]	13.86 [352]	16.38 [416]	7.56 [192]	16.38 [416]
22*	21.65 [550]	21.65 [550]	8.82 [224]	13.86 [352]	16.38 [416]	8.82 [224]	17.64 [448]
24*	23.62 [600]	23.62 [600]	8.82 [224]	13.86 [352]	18.90 [480]	10.08 [256]	20.16 [512]
26*	25.59 [650]	25.59 [650]	8.82 [224]	13.86 [352]	21.42 [544]	11.34 [288]	22.68 [576]
28*	27.56 [700]	27.56 [700]	8.82 [224]	13.86 [352]	21.42 [544]	11.34 [288]	22.68 [576]

20605	A	3/19/08	10, 12, 24, 26, & 28	JT	MJH
20242	REL	11/16/07	RELEASE	TVG	MJH
ECA	REV.	DATE	DESCRIPTION	AUTH.	

FINISH: -
 MATERIAL SPEC: -
 PRODUCT ENGINEERING CRITICAL DIMENSION
 MANUFACTURING PROCESS CRITICAL DIMENSION

THIS DRAWING AND THE INFORMATION AND DATA CONTAINED ON IT ARE THE PROPERTY AND USE OF KNAPE & VOGT. NO PART OF THIS INFORMATION AND DATA IS TO BE REPRODUCED OR TRANSMITTED IN ANY FORM OR BY ANY MEANS, ELECTRONIC OR MECHANICAL, INCLUDING PHOTOCOPYING, RECORDING, OR BY ANY INFORMATION STORAGE AND RETRIEVAL SYSTEM, WITHOUT THE EXPRESS WRITTEN PERMISSION OF KNAPE & VOGT. THIS DOCUMENT IS NOT TO BE USED SOLELY FOR THE PURPOSE FOR WHICH IT WAS LOANED, AND IT IS TO BE RETURNED UPON REQUEST.
 DATE: 10/17/07
 SCALE: FULL
 DRAWN BY: J. TYLER
 CHECKED BY: T. CULL
 HOLE PATTERN REFERENCE: T1100REF