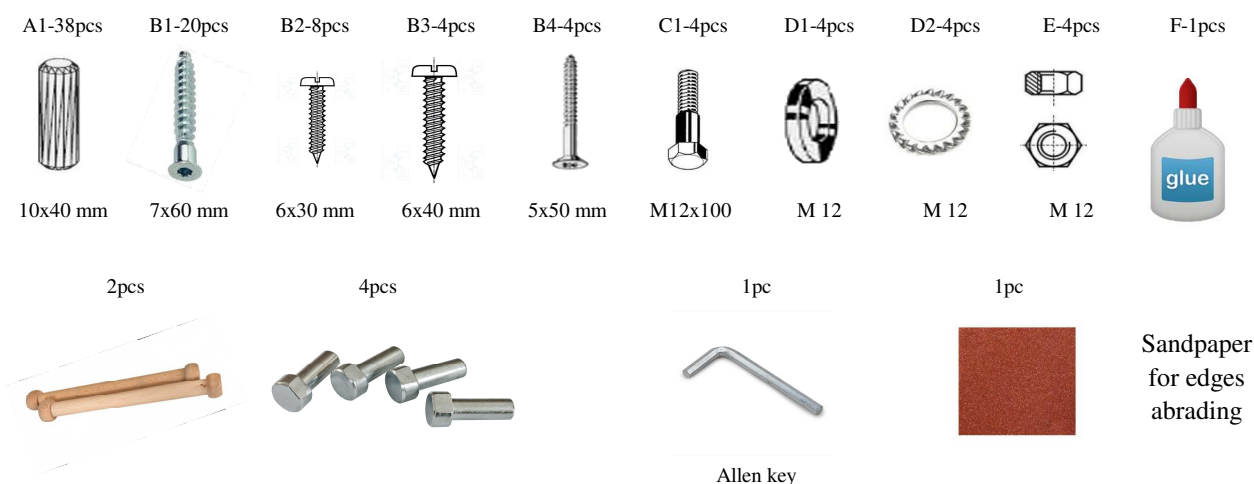


Assembly Instructions HB-DIY1500



Workbench is made from high quality beech wood guaranteeing maximum resistance and long service life of the bench.

Your workbench has NO TREATMENT. Please treat your bench with a varnish or oil within 3 months of assembly.

Don't forget to repeat surface treatment each 6 months. This is especially important if situated in an unheated workshop, garage or outbuilding.

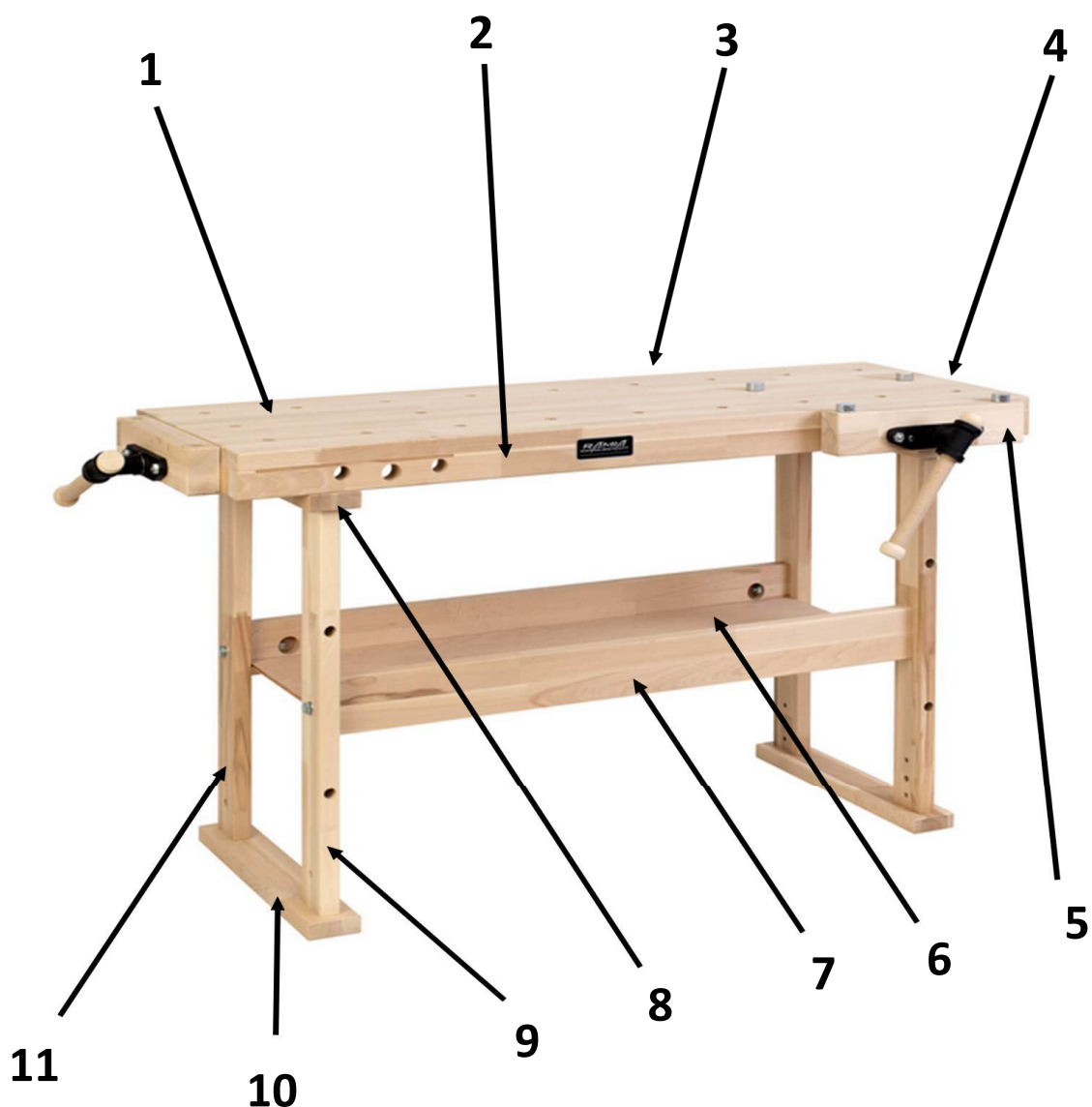
To increase the rigidity of your workbench ensure that you glue the joints and bolt the bench in position.

Wood is a natural product, check and tighten all screws and bolts every six months.

NOTICE: Like all solid wood products it must not be left in areas of high humidity or damp that will cause natural movement.

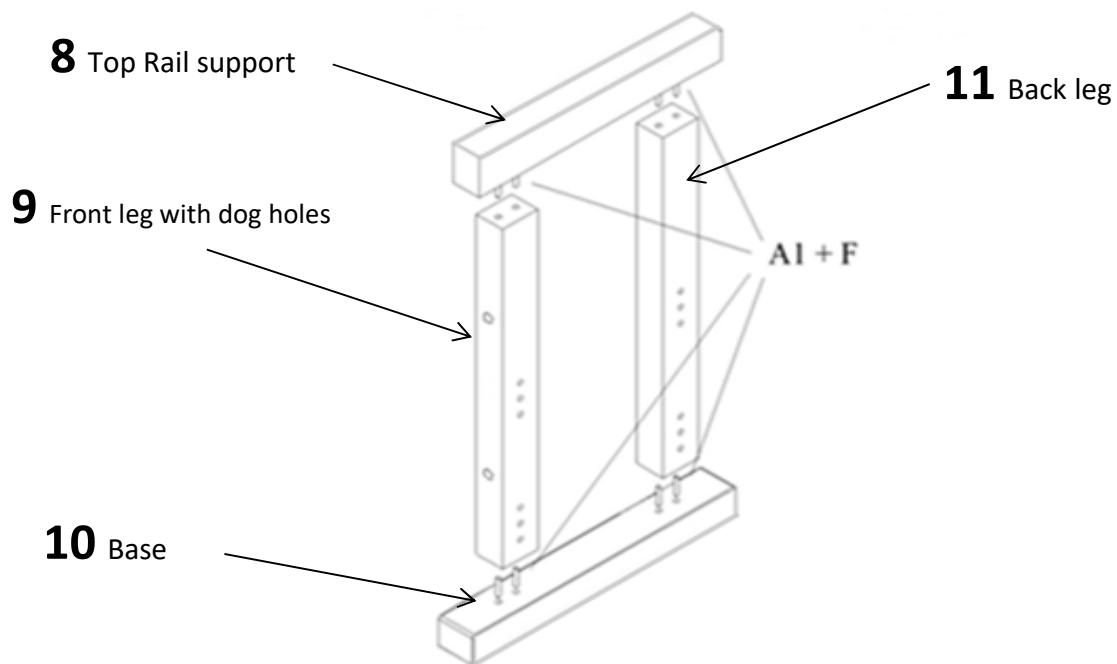
Parts	Packing 1	Packing 2	Date	

PARTS and HARDWARE LIST



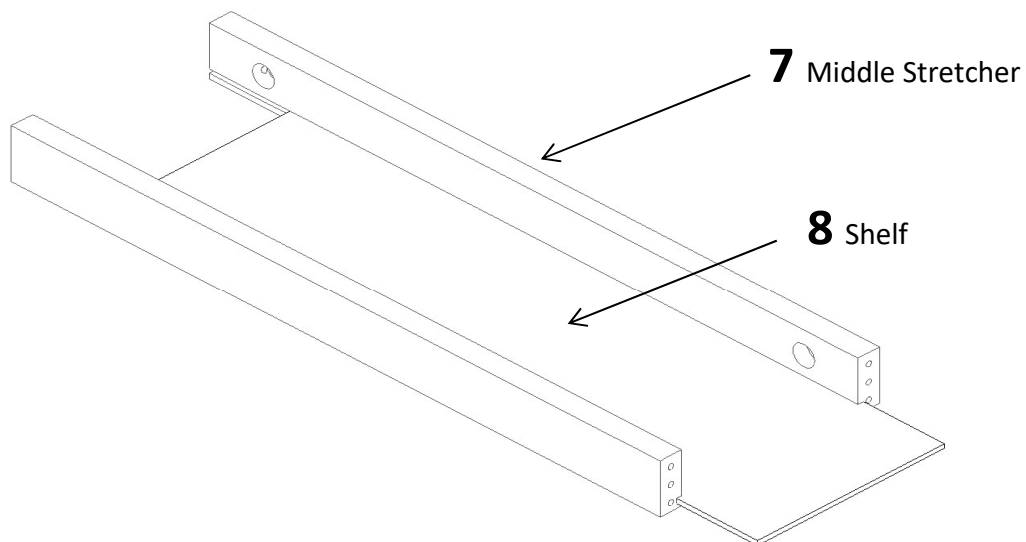
Part NO.:	Part Name	Qty	Part NO.:	Part Name	Qty
1	Bench Top	1pc	6	Shelf	1pc
2	Front Apron (with logo)	1pc	7	Middle Stretcher	2pcs
3	Back Apron	1pc	8	Top Rail support	2pcs
4	Side Apron	2pcs	9	Front leg with dog holes	2pcs
5	Vice Jaw	2pcs	10	Base	2pcs
			11	Back leg	2pcs

WARNING: Wooden parts may be sharp. Before assembly, check wooden parts and if necessary use sandpaper (part of hardware) to **abrade edges** of these wooden parts.



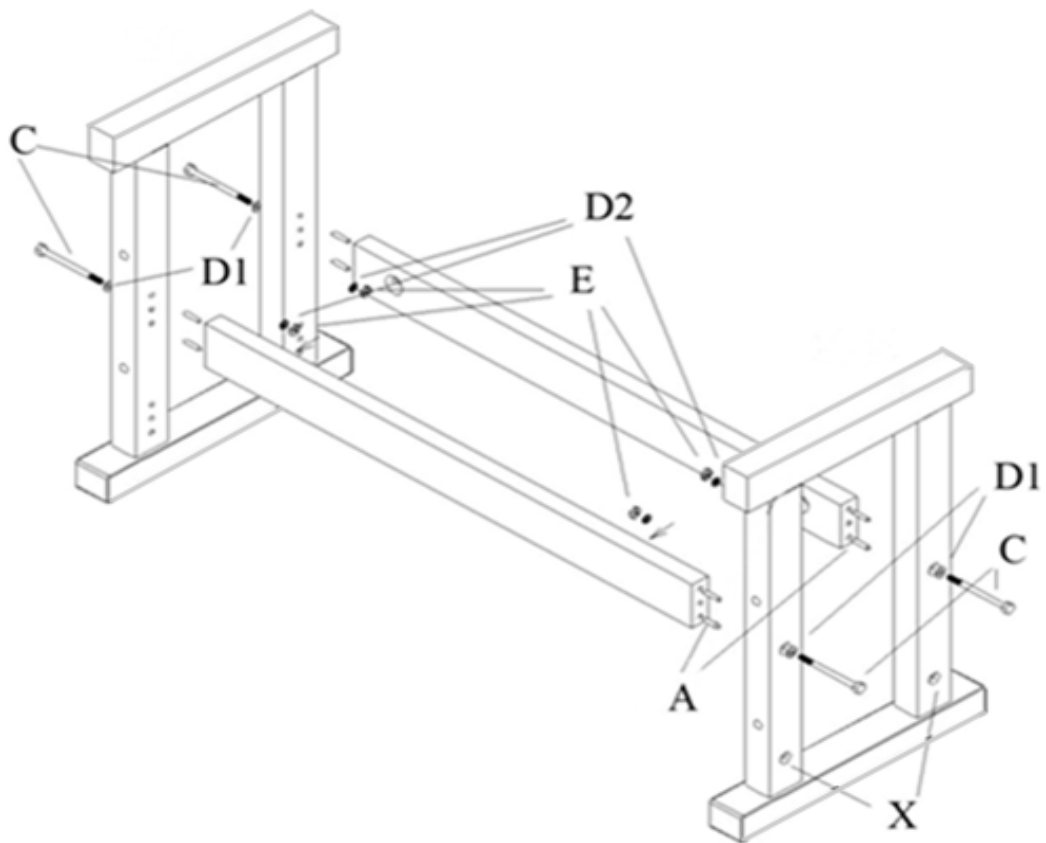
!!!! Abrade edges of these wooden parts, if necessary !!!!

!!! HINT !!! - don't fill up holes for dowels by glue. Smear dowels by glue and insert them into holes.

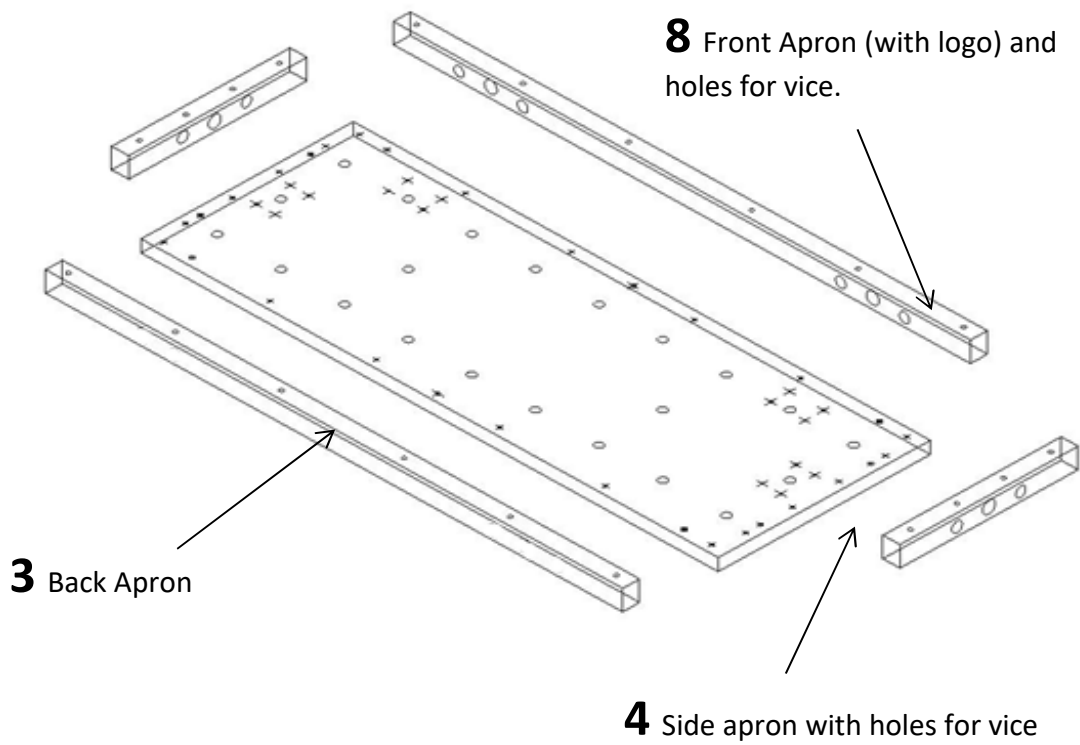


!!!! Abrade edges of these wooden parts, if necessary !!!!

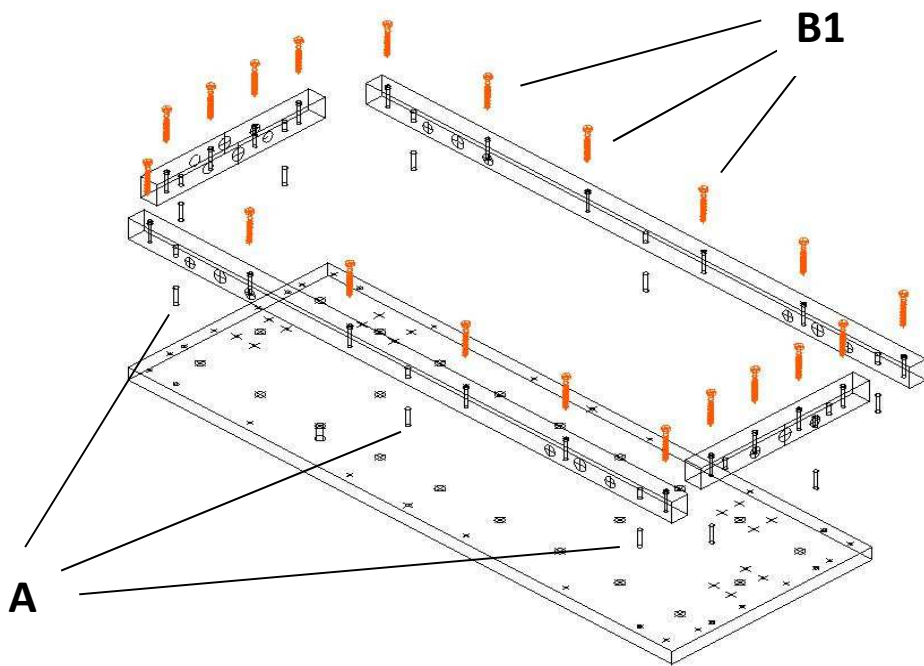
Before assembly of tool shelf, decide, if you want to have deeper or shallower shelf. Grooves must be down to get deep shelf (as shown on the picture).



X = holes for stretchers if cupboard is used

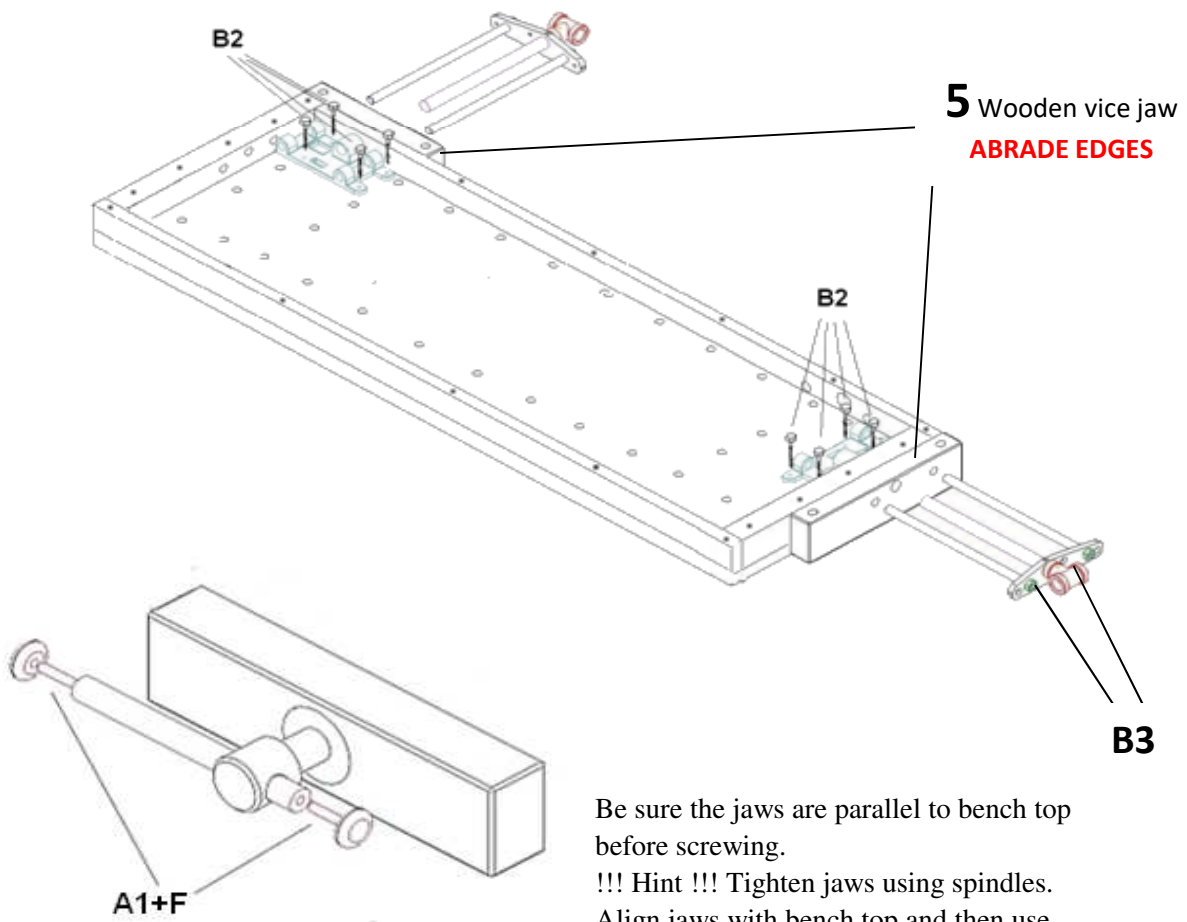


!!! Abrade edges of these wooden parts - these parts must be abraded !!!



A

B1



5 Wooden vice jaw
ABRADE EDGES

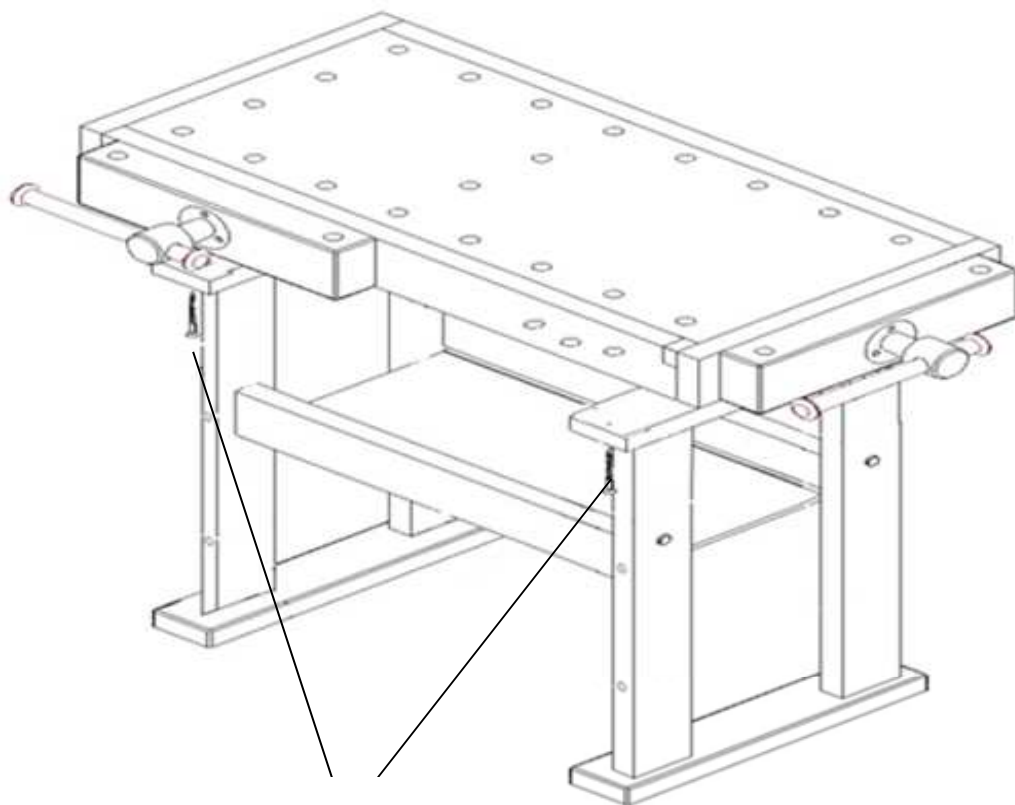
B2

B2

B3

A1+F

Be sure the jaws are parallel to bench top before screwing.
!!! Hint !!! Tighten jaws using spindles.
 Align jaws with bench top and then use B3 screws for attaching jaws to spindles.



B4

Enjoy your new woodworking projects :-)

RAMIA^{CZ}
WORKBENCH

WWW.RAMIA.CZ