



*The* Industry Leader in Dust Collection

# OWNER'S MANUAL



## Mini-Gorilla

110V / 220V

# XXPM010100H

# XXPM010100H220

Patents:

[www.oneida-air.com/patents](http://www.oneida-air.com/patents)



Intertek



# Table of Contents

---

<b>System Start-Up Information</b> .....	2
<b>System Specifications</b> .....	4
<b>System Dimensions</b> .....	5
<b>System Contents</b> .....	6
<b>Assembly Instructions</b> .....	8
<b>Maintenance</b> .....	14
<b>Troubleshooting</b> .....	15
<b>FAQ</b> .....	16
<b>Recommended Accessories</b> .....	18
<b>Warranty Information</b> .....	20
<b>Notes</b> .....	21

# System Start-Up Information

---

Before Purchasing or installing a dust collection system the process owners/operators are cautioned to do so in accordance with prescribed Federal, State, Local, OSHA, NFPA, and any other applicable codes or regulations relating to the type of dust(s) you are collecting.

This manual contains specific precautionary statements relative to worker safety. Read thoroughly and comply as directed. The most up to date safety information can be found on our website: [oneida-air.com/safety](http://oneida-air.com/safety)

## **WARNING**

1. READ and understand ALL instructions and warning labels BEFORE using the dust collector.
2. REPLACE warning labels if they become obscured or removed.
3. ALWAYS follow all applicable federal, state, local, OSHA, NFPA, or authorities having jurisdiction codes and regulations when installing and operating this dust collector.
4. ENSURE that all users of this dust collector are informed of all warnings and precautions, safe use, and maintenance procedures.
5. FULL mental alertness is required. The machine is not intended for use by persons (including children) with reduced physical, sensory or mental capabilities, or lack of experience and knowledge.
6. DO NOT allow use by or near children.
7. DO NOT allow it to be used as a toy.
8. NEVER leave the dust collector running while unattended.
9. TURN OFF and UNPLUG the dust collector BEFORE walking away, servicing, or cleaning. Allow the fan blower motor to come to a COMPLETE STOP before walking away or performing any maintenance, service, cleaning, or adjustments. This eliminates the risk of injury from unintended startup or contact with live electrical components.
10. ENSURE that your dust collector is turned OFF and UNPLUGGED during installation. This eliminates the risk of injury from unintended startup or contact with live electrical components.
11. COMPLETELY INSTALL ductwork/flex hose before operating collector.
  - a. Seal ductwork with silicone sealant or duct tape if leaks are found.
  - b. Have dust drum in place and sealed.
  - c. NEVER operate without filter and cowling in place. This machine has high speed rotating elements than can cause severe injury.
12. ONLY use the dust collector for its intended purpose as described in this manual. DO NOT force it or an attachment to do a job for which it was not designed. Consult this owner's manual or reach out for recommended accessories.
13. ENSURE enough air volume is at the suction point to capture all the particulate generated.
14. NEVER make modifications without prior approval from Oneida Air Systems. Modifying the dust collector or using it differently than intended will void the warranty and may result in malfunction or mechanical failure that leads to serious personal injury or death! DO NOT allow use as a toy.

# System Start-Up Information (Continued)

---

15. DO NOT locate or operate the system in moist, wet, poorly lit, or cluttered environments. Operating in these areas can create shock hazards, increase the risks of accidents and injury, and/or lower the operating lifespan of the dust collector.
16. DO NOT install in classified hazardous atmospheres without an enclosure rated for the application. System location must account for wind, seismic zone, and other load conditions. Codes may regulate acceptable locations for installing dust collectors. Consult with the appropriate authorities having jurisdiction to ensure compliance with all national and local codes regarding dust collector installation. Equipment must be anchored in a manner consistent with local code requirements. Anchors must be sufficient to support dead, live, seismic, and other anticipated loads. Consult a qualified engineer for final selection of anchorage.
17. ENSURE exhaust air is properly vented. It should NOT be vented into a wall, a ceiling, or a concealed space of a building. Personal injury, death, and/or property damage can result from material discharge during venting. The risk of personal injury and/or property damage can be minimized or avoided by locating vented equipment outside buildings and away from normally occupied areas. If exhaust air is vented outside, you must provide make up / return air. Flue gases (carbon monoxide) can be drawn into the shop from furnaces, water heaters, or other appliances.
18. INSPECT and MAINTAIN REGULARLY. Keep the dust collector in proper working order. A machine that isn't properly maintained, not working as it should, has been dropped, damaged, left outdoors, or dropped in water could malfunction leading to serious personal injury or death!
19. AVOID CORD DAMAGE. DO NOT pull or carry by cord. DO NOT use cord as handle. DO NOT unplug by pulling on cord. To unplug, grab the plug, NOT the cord. DO NOT close door on cord or pull cord around sharp edges or corners. DO NOT run dust collector over cord. DO NOT handle cord/plug with wet hands. Keep cord away from heated surfaces. If the supply cord is damaged, it must be replaced by the manufacturer, its service agent or similarly qualified persons in order to avoid a hazard.
20. ALWAYS check for damaged parts. A part that is damaged should be carefully checked to determine that it will operate properly and perform its intended function. Immediately repair or replace damaged or mis-adjusted parts before operating machine.
21. DO NOT put any object in openings. DO NOT use with any opening blocked. (Except when pulsing - See Maintenance Section for more information.)
22. ALWAYS wear a NIOSH approved respirator when emptying dust bins and during operation. Some dust created by power sanding, sawing, grinding, drilling, and other construction activities contains chemicals known to cause cancer, birth defects or other long-term respiratory damage.
23. ALWAYS keep hair, loose clothing, fingers, and all parts of body AWAY from openings and moving parts.
24. ALWAYS wear ANSI-approved safety glasses or a face shield when operating or observing machinery and when emptying dust bin.
25. ALWAYS wear hearing protection during extended periods of operation.

# System Start-Up Information (Continued)

Process owners/operators retain all responsibility for the suitability of fire and explosion hazard mitigation, suppression, and isolation strategies and to follow all applicable federal, state, local, OSHA, NFPA, or authorities having jurisdiction codes and regulations when installing and operating this dust collector.

Improper operation of a dust control system may contribute to conditions in the work area or facility that could result in severe personal injury and product or property damage.

Oneida Air Systems assumes no responsibility or liability for the suitability of any fire and/or explosion mitigation strategy, or any items incorporated into a collector as part of an owner/operators hazard mitigation strategy.

## FIRE HAZARDS

1. THIS UNIT IS NOT RATED FOR USE IN COMBUSTIBLE ENVIRONMENTS.
2. DO NOT operate the dust collector in areas where explosion risks are high. Areas of high risk include, but are not limited to, areas near pilot lights, open flames, or other ignition sources.
3. ONLY operate dust collector in locations that include a fire suppression system or have a fire extinguisher available nearby.
  - a. The ABC type (dry chemical) is generally a good choice for small wood shops.
  - b. Additional information on portable extinguishers can be found in NFPA 10 (Standard for Portable Fire Extinguishers).
4. DO NOT allow accumulation of layers of fine dust on horizontal surfaces. Especially overhead lights, electrical boxes and fuse panels which can ignite dust. Keep the floor around the system clean and free of scrap material, oil, grease.
5. ENSURE all equipment and ductwork is electrically grounded.
6. DO NOT use PVC drain pipe.
7. ALWAYS consult an electrician or qualified service personnel about wiring practices and electrical codes in your area. ONLY allow an electrician or qualified service personnel to do electrical installation or repair work.
8. ALWAYS disconnect power before accessing or exposing electrical equipment. Improper wiring can cause fire, electrocution, injury, or death.
9. DO NOT use to pick up anything that is burning or smoking, such as cigarettes, matches, or hot ashes.
10. DO NOT use to pick up liquids, flammable liquids, or combustible liquids, such as gasoline, or use in areas where they may be present.
11. DO NOT use excessively large wood waste bins. Wood dust mixtures are highly flammable and can be explosive
12. ALWAYS check your dust bin for smoldering materials before leaving the shop.
13. NEVER introduce sparks or sources of ignition into the dust collector. Sparks can be generated in several ways:
  - a. High speed sanders, abrasive planers, saws, and edgers may strike foreign material and create a red-hot metal fragment.
  - b. Knots in hardwood can create frictional sparks.
  - c. Trapped metal, when drawn into the dust collection system, can spark against ductwork.

# System Start-Up Information (Continued)

---

- d. Check wood stock for old nails and screws which can create red-hot metal fragments.
- 14. DO NOT overload woodworking equipment, especially sanders, as excessive frictional heat can spontaneously ignite dust. Sanders can produce concentrations of dust well into the combustible range.
- 15. ALWAYS check that all dust collection equipment is properly selected and sized for the intended use. Authorities with jurisdiction should be consulted before installing to verify local codes and installation procedures. In the absence of such codes, install collector according to the National Electric Code, NFPA No. 70-latest edition and NFPA 91, NFPA664 Code (NFPA 654 if combustible dust is present).

**Customer Service Dept.**

1-866-387-8822 • [support@oneida-air.com](mailto:support@oneida-air.com)

# System Specifications

OPERATION		
Fan Rating (with Cyclone & Filter)	583 CFM at 2" SP (990.5 m <sup>3</sup> /hr at 51 mmH <sub>2</sub> O)	
Maximum Suction Rating	9" H <sub>2</sub> O (229mmH <sub>2</sub> O)	
MOTOR AND ELECTRICAL		
Motor Type	U.S. Made TEFC Motor	
Motor Insulation	Class F	
Motor Service Factor	1.15	
Horsepower	1.5 HP (1.1 kW)	
Motor Speed	3,450 RPM	
Phase	Single-Phase (1ph)	
Voltage	110V	220V
Cycle	60Hz	
Listed FLA	110v: 16A	220v: 8A
On/Off Switch	Rocker Switch	
Power Cord	15 ft (4.6 m)	
Power Connector	110v: NEMA 5-20 / 220v: NEMA 6-20	
Recommended Circuit Size	20A	
Recommended Circuit Type	HACR	GFCI
Sound Emission	80.5 dBA @ 10 ft (3m)	
IMPELLER		
Size	13" (330 mm)	
Material	Single-piece, backward inclined, non-sparking/non-ferrous	
CARTRIDGE FILTER		
Filter Media Type	G.E. H12 HEPA	
Filter Efficiency	99.97% @ 0.3 microns	
Filter Surface Area	40 Sq. Ft. (3.7 sq m)	
SYSTEM DIMENSIONS AND CONSTRUCTION		
Barrel/Cyclone Body	Molded Static Conductive Resin	
Inlet	5" (127 mm) Outer Diameter	
Overall Height	64.25" (1,632 mm)	
Overall Weight	85 lbs (38.5 kg)	



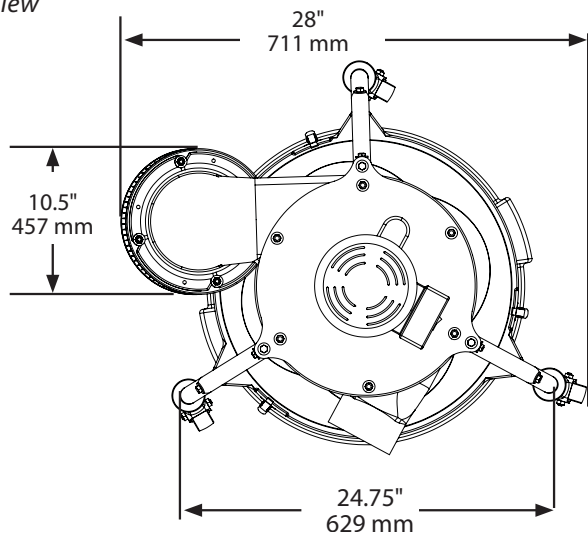
*The Mini-Gorilla requires a 20 Amp outlet receptacle to be installed by a licensed electrician.*



# System Dimensions

Nominal dimensions shown. Dimensions subject to slight variations in manufacturing.

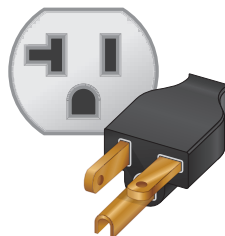
Top View



The Mini-Gorilla requires a 20 Amp outlet receptacle to be installed by a licensed electrician. See below outlet receptacles needed based on the voltage of your unit.

**120V / 16A Mini-Gorilla**

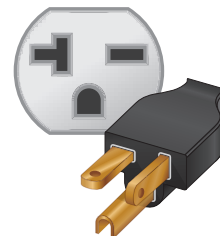
#XXPM010100H



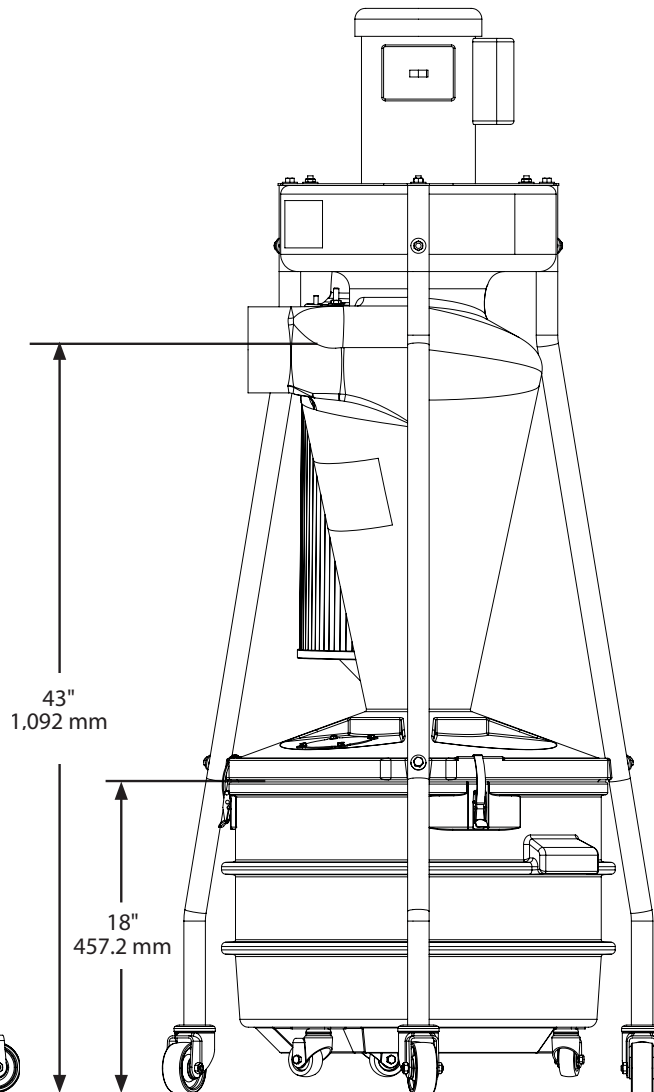
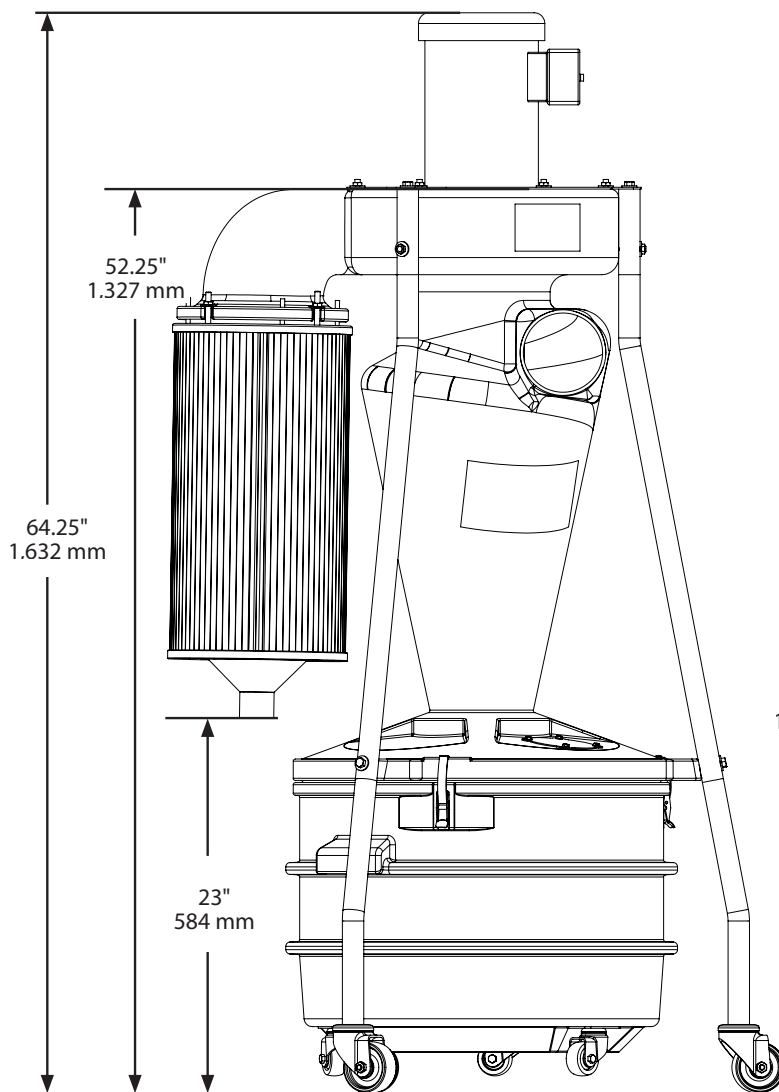
**Use NEMA 5-20  
Receptacles**

**220V / 8A Mini-Gorilla**

#XXPM010100H220



**Use NEMA 6-20  
Receptacles**



# System Contents



If you cannot find an item on the list, examine the packaging materials very carefully. Certain components have been pre-installed. \*There may be hardware leftover.

ID	Part number	Part description	Qty
A	BXI001605D	Motor Assembly 1.5 HP 110V	1
	BXI001604D	Motor Assembly 1.5 HP 220V	
B	FCS101935HFA	10.5" x 19.5" HEPA Cartridge Filter with molded sound absorber	1
C	SXM010100C	Cyclone and Drum Assembly	1
C1	SMM010100	Molded Cyclone and Drum	1
C2*	AFL990001	Latches	3
C3*	AFS501032	10-32 1/2" Phillips Pan Head Screws	10
C4*	AFT901032	10-32 Nylock Nut	1
C5*	AFW200000	#10 Flat Washer	10
C6*	RHL000604	Drum Window	1
C7*	RGZ025050	Gasket	6 ft.
C8	STG491616	Leg Assembly	3
C9	AHX001605B	Mini Gorilla Hardware Kit	1
C9A	VAB363602A	Pack of five 22 Gal. Heavy-Duty Plastic Liner Bags	1
C9B	VRV050500	1/2" ID Vinyl Tubing	5 ft.
C9C	RGZ025050	Gasket	6 ft.
C9D	ABF500000	1/2" Straight Fitting	2
C9E	AFW180508	5/8" Rubber Washer	2
C9F	RCP060000	PVC Tube Cap For Inlet Cover	1
C9G	RHC000007	3" Casters with 5/16-18 x 1" Stems	3
C9H	AFB025175	1/4"-20 x 1-3/4" Carriage Bolt	3
C9I	AFW025000	1/4" Flat Washer	3

ID	Part number	Part description	Qty
C9J	AFT000005	1/4" Whiz-Lock Nut	3
C9K	AFB155195	5/16-18 x 2" Hex Head Bolt	3
C9L	AFW180000	5/16" Flat Washer	3
C9M	RHC000000	2" Drum Casters	3
C9N	AFS015920	1/4"-20 x 3/4" Hex Head Bolt	6
C9O	AFW180516	5/16" Rubber Washer	6
C9P	AFW025000	1/4" Flat Washer	6
C9Q	AFT000005	1/4" Whiz-Lock Nut	6
C9R**	AFT051618	5/16-18" U-Spring Nut	8
C9S	AFB155190	5/16-18 x 1" Hex Head Bolt	9
C9T	AFW180000	5/16" Flat Washer	9
C9U	ACB360000	1/2" Turn-Key Band Clamp	1
C9V	RCP101935	Filter Outlet Cap	1
C9W	AFW180000	5/16" Flat Washer	4
C9X	AFT900006	1/4"-20 Nylock Nut	4
D	AAP000504	Mini-Gorilla Inlet Adapter Kit for 4" Hose	1
D1	DA0002045	4/5 Adapter	1
D2	RGZ000050	1/2" Silicone Gasket	1
D3	AFS080050	#8 Sheet Metal Screws	3

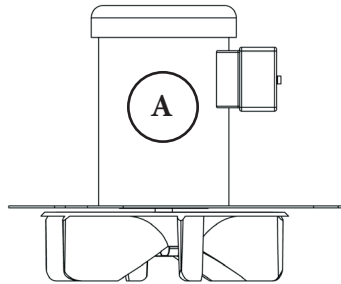
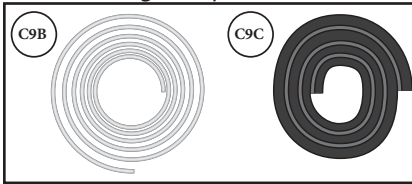
Please unpack the parts carefully and confirm you have received each item listed here.

\*Some components are pre-installed at the factory and are listed here for your convenience.

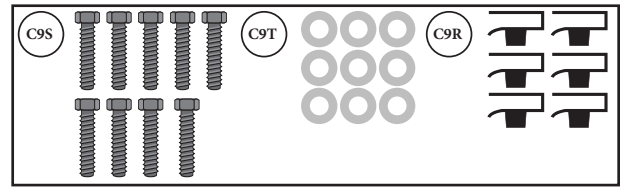
\*\*The U-Spring Nuts come in a pack of eight, but you will only need six for your installation.

# System Contents (Continued)

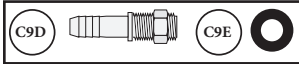
## Gasket & Bag Components



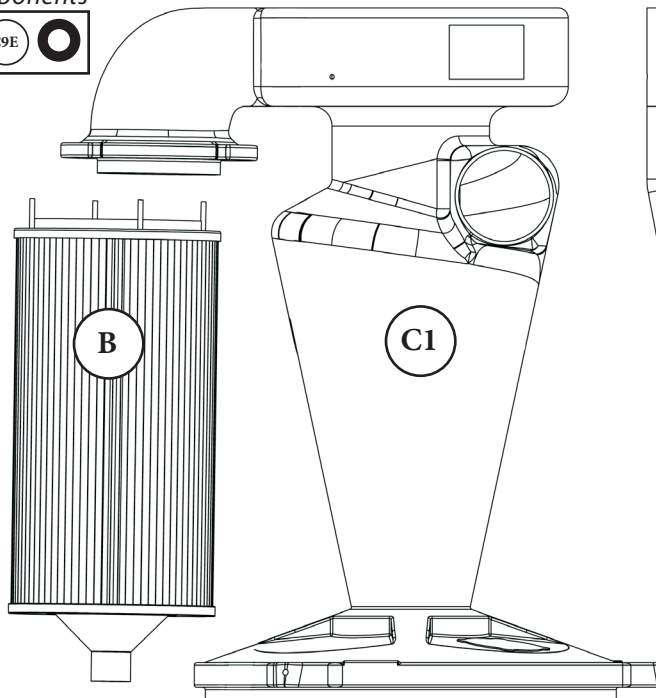
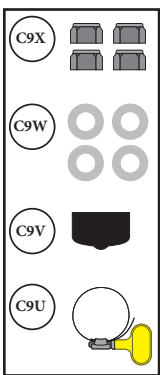
## Motor Attachment Hardware



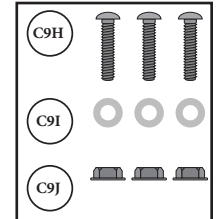
## Gasket & Bag Components



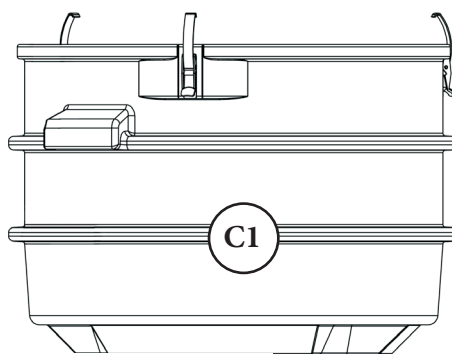
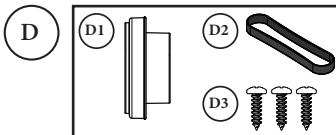
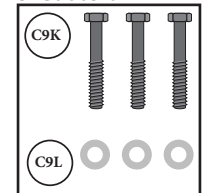
## Filter Attachment Hardware



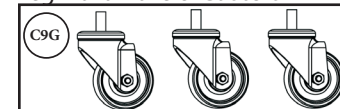
## Leg Hardware & Casters



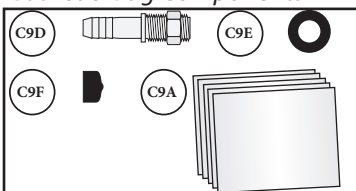
## Leg Hardware & Casters



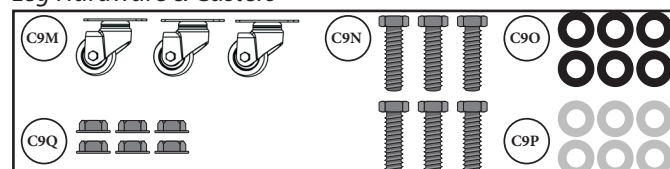
## Leg Hardware & Casters



## Gasket & Bag Components



## Leg Hardware & Casters



# Assembly Instructions

## You will need the following:

- 7/16" Wrench
- 7/16" Socket Wrench
- 1/2" Wrench
- 1/2" Socket Wrench
- Small Hammer
- Phillips Head Screwdriver
- Flat-head Screwdriver
- Razor Blade
- Channel Lock Pliers+

+The pliers are optional and are recommended for ease of installation.

- 1** Push three Carriage Bolts (C9H) through the inside wall of the fan housing section of the molded cone. The bolt's square shank must go through the round housing hole.

*Note: For ease of assembly, tighten the nut on the carriage bolt without the leg or the washer - this will pull the square shank through the round housing hole. Once the carriage bolt is fed through the fan housing's hole, remove the nut.*

Slide the top hole of the Legs (C8) over the Carriage Bolt and secure with a 1/4" Flat Washer (C9I) and 1/4" Whiz-Lock Nut (C9J). Finger tighten. [FIG. 1]

*Note: The top hole of the Leg is located 3.5" from the end.*

- 2** Lightly secure each Leg (C8) to the threaded inserts on the lid using three 5/16" Flat Washers (C9L) and three 5/16" x 2" Hex Head Bolts (C9K). [FIG. 2a]

Secure Stem Casters (C9G) to the threaded insert on the bottom of the legs. [FIG. 2b]

*Note: For ease of assembly, we recommend channel lock pliers to tighten the casters. Over torquing can damage the connection point.*

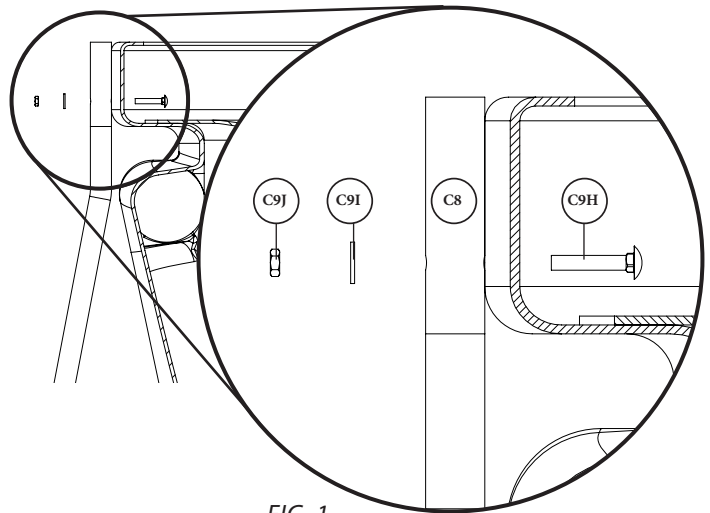


FIG. 1

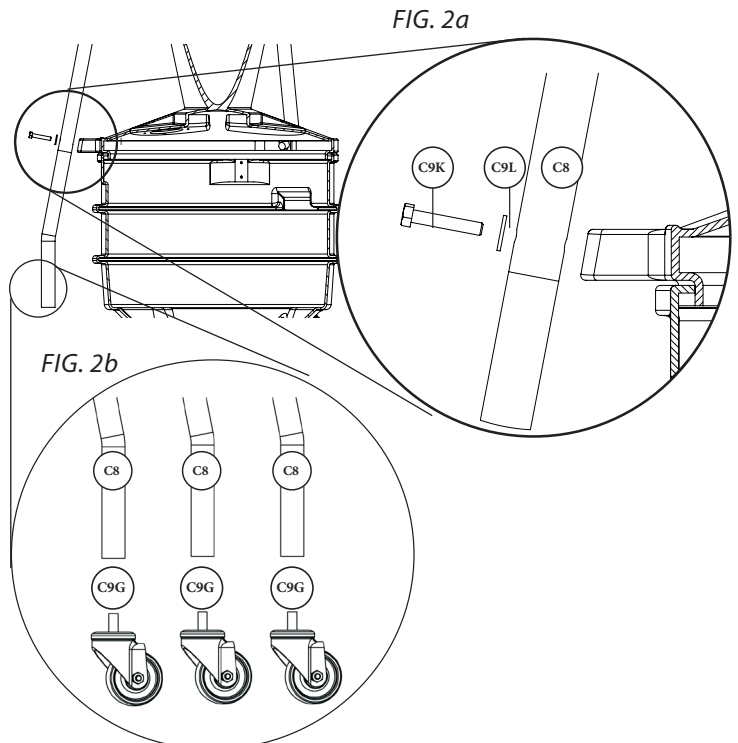


FIG. 2a

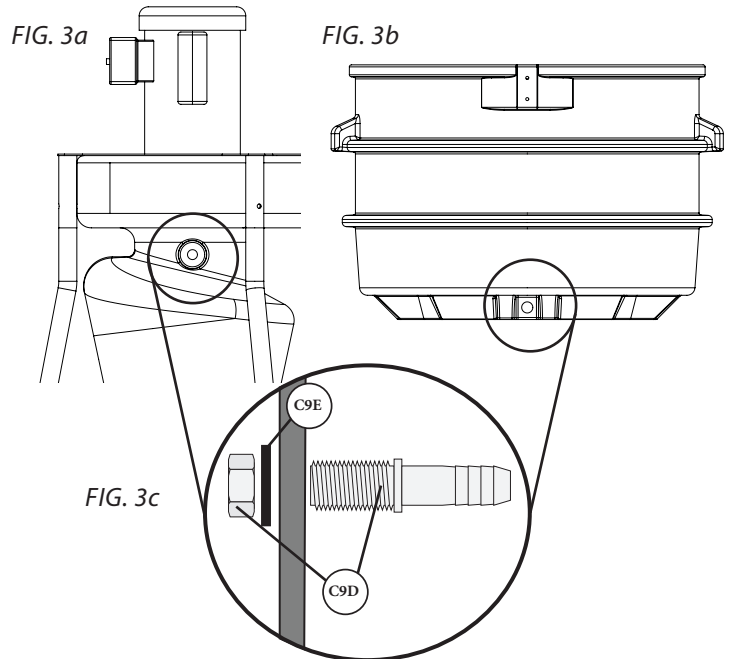
FIG. 2b

# Assembly Instructions (Continued)

3

Install Straight Fittings (C9D) into the recessed holes under the fan housing and near the bottom of the drum. [FIG. 3a] [FIG. 3b] Secure in place using the fitting's nut on the inside; using a Rubber Washer (C9E) between the nut and the inner wall. [FIG. 3c]

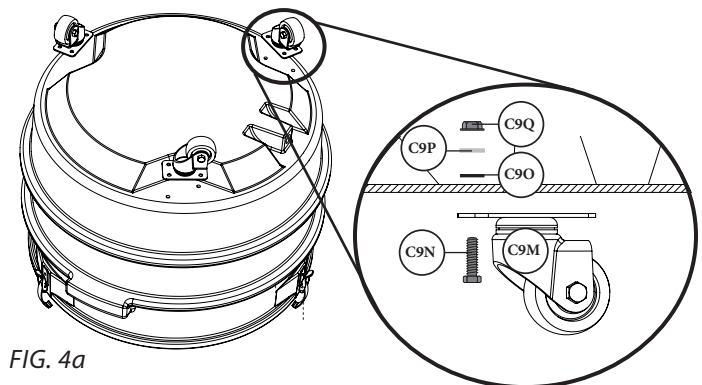
*Note: For ease of assembly, when installing to the bottom of the drum, we recommend to wedge a flat screwdriver between the Straight Fitting (C9D) and the inner wall to secure it in place when securing the nut.*



4

Install each of the three Drum Casters (C9M) to the drum using two 1/4" Hex Head Bolts (C9N), two Rubber Washers (C9O), two 1/4" Flat Washers (C9P), and two 1/4" Whiz-Lock Nuts (C9Q) as shown in [FIG. 4]. Use the bolt holes on opposing sides of the caster plate as shown in [FIG. 4b]

*Note: Be sure to use the rubber washer under the steel washers to assure an airtight seal. It is very important that there are no leaks.*

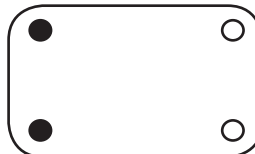


✓ **CORRECT**

FIG. 4b



✗ **INCORRECT**



✗ **INCORRECT**



# Assembly Instructions (Continued)

- 5** Align the legs so that they are square and even with the drum and body. [FIG. 5]

*Note: Hardware attaching the Legs (C8) to the Molded cyclone and Drum (C1) should be finger tightened to help align the Motor Assembly (A) in Step 10.*

✓ **CORRECT**

✗ **INCORRECT**

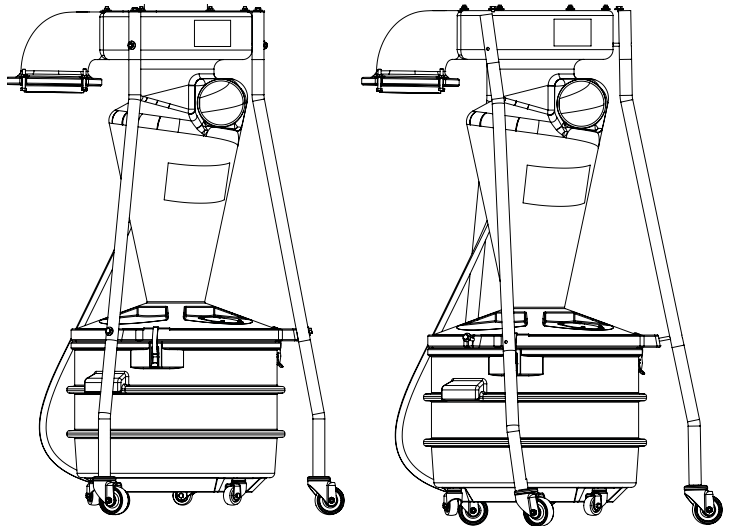


FIG. 5

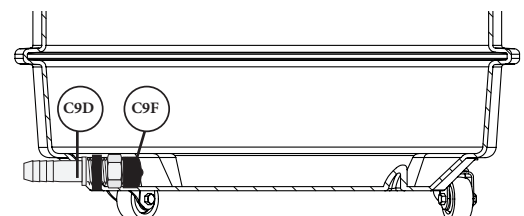
- 6** Insert a Drum Liner Bag (C9A) into the Drum, making sure it fully expands against the sides and the bottom of the drum. The top edges of the bag should fold out and over the drum's upper rim. [FIG. 6a]

*Note: If you do not want to use bags you MUST use the Cap (C9F) to close off the fitting inside the drum. [FIG. 6b]*

FIG. 6a

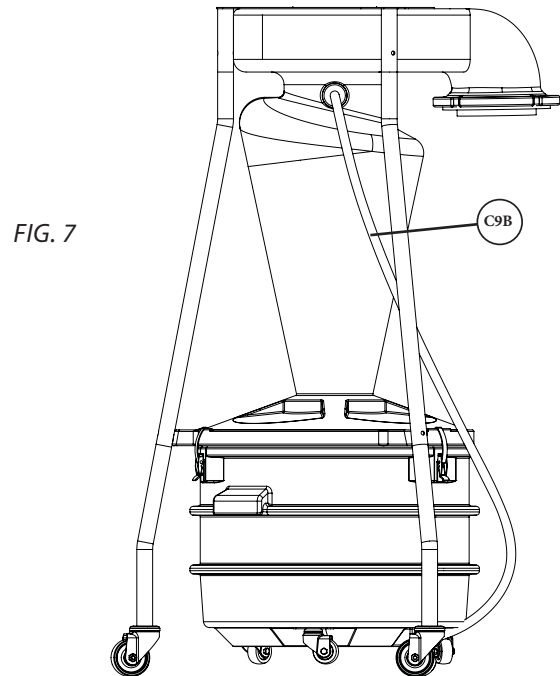


FIG. 6b



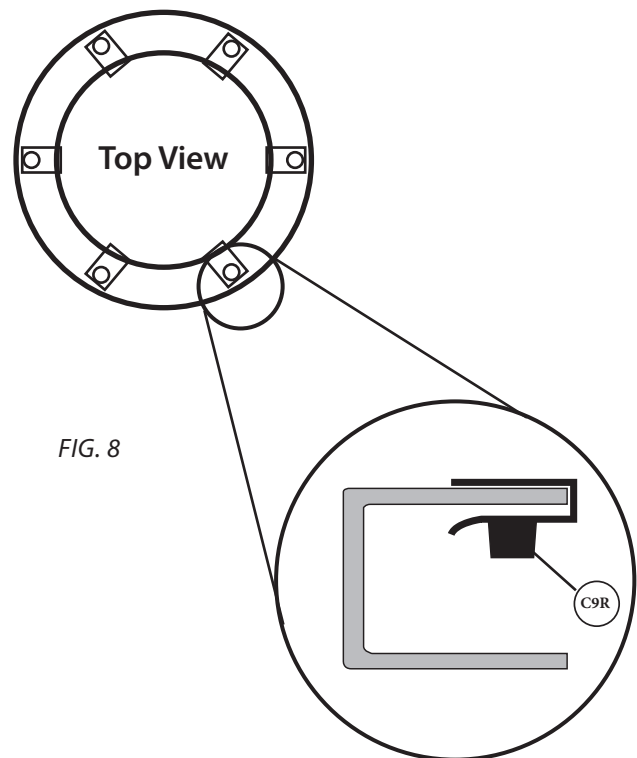
# Assembly Instructions (Continued)

- 7 Latch the Drum to the cone assembly and connect the Vinyl Tubing (C9B) onto both Straight Fittings (C9D). Push tubing on until all barbs are covered. [FIG. 7]



- 8 Tap the U-Spring Nuts (C9R) onto each of the holes around the circle of the Fan Housing with a ball peen hammer. [FIG. 8]

*Note: Make Sure the U-Spring Nut (C9R) is pushed all the way on by checking that the bolt holes are in alignment with the clip holes and installed in the correct orientation. Otherwise you will not get the seal needed for complete dust collection! There will be two leftover U-Spring Nuts that are not needed for the installation.*



# Assembly Instructions (Continued)

- 9** Apply the Gasket (C9C) to the motor plate as shown in [FIG 9], making sure that there is no gap where the ends meet.

*Note: Dust collection systems cannot operate effectively if there isn't a complete seal. There must be NO air leaks.*

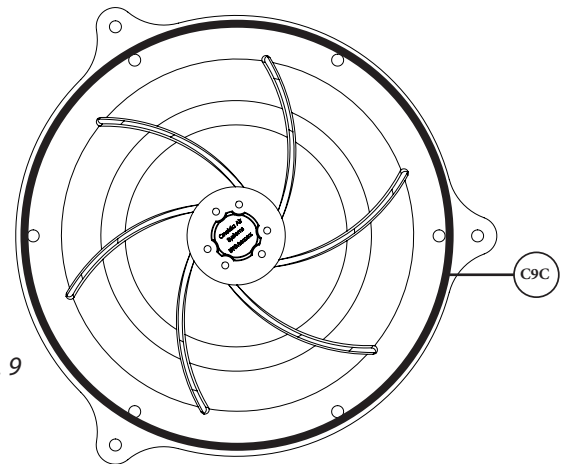


FIG. 9



**The motor assembly is very heavy and cumbersome; Be sure to have adequate help to lift the motor assembly up!**

- 10** Carefully lift the Motor Assembly (A) on top of the unit and align the motor plate holes with the fan housing holes and the threaded inserts on top of the legs [FIG. 10]. Thread and tighten the nine 5/16" x 1" Hex Head Bolts (C9S) and nine 5/16" Flat Washers (C9T).

Tighten all of the hardware; this includes the pre-installed parts used on the Drum Latches (C2) and the Drum Window (C6)

*Note: If U-Spring Nuts (C9R) don't align with the motor plate holes, use a screwdriver to adjust misalignment. Hand tighten first and then tighten down.*

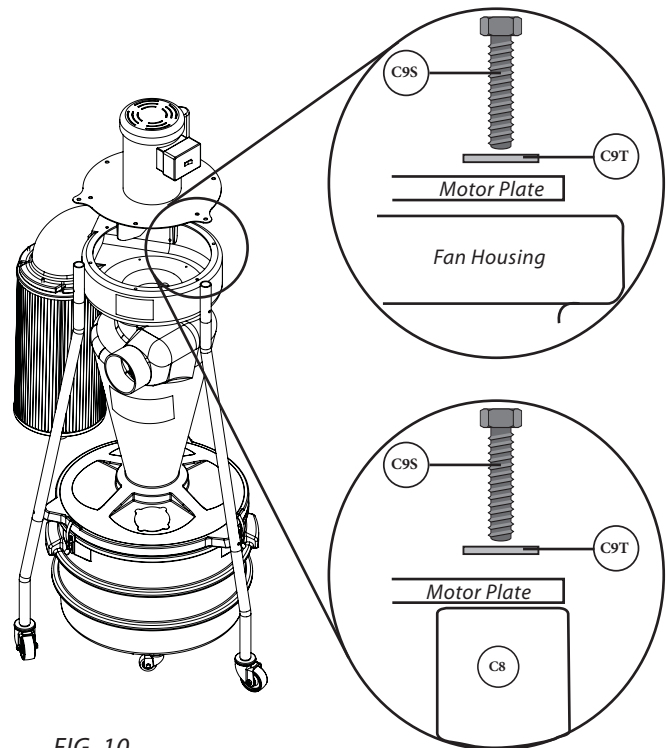


FIG. 10



# Assembly Instructions (Continued)

- 11** Lift the Filter (B) up to the plenum elbow, slotting the filter's bolts into the four grooves, shown in [FIG. 11a]. Secure in place with four 5/16" Flat Washers (C9W) and four Nylock Nuts (C9X) [FIG. 11b] [FIG. 11c].

*Note: DO NOT overtighten.*

FIG. 11a

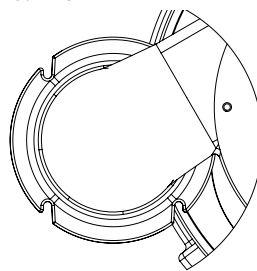
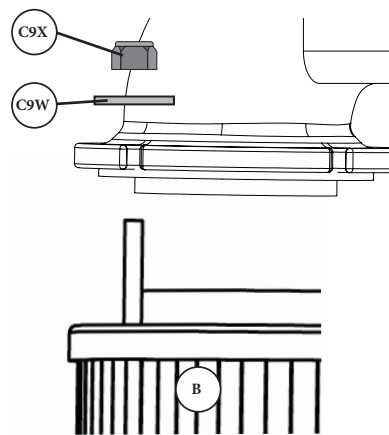
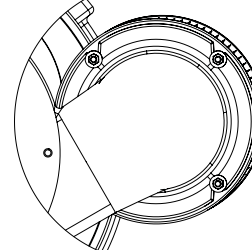


FIG. 11b



- 12** Place Filter Cap (C9V) onto the bottom port of the Filter (B) and secure in place using Band Clamp (C9U) [FIG. 12].

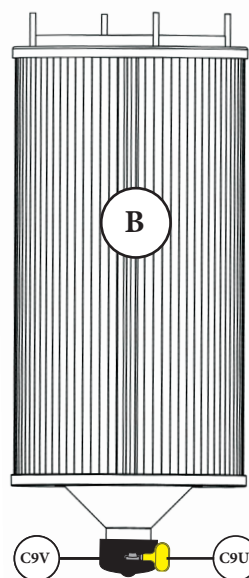


FIG. 12

# Assembly Instructions (Continued)

- 13** If you plan to hook five inch flex hose to the inlet, it will be a snug fit. Pull ends up little by little to work the hose onto the cyclone's discharge [FIG. 13].

*Note: Pliers can be used to grab the reinforcing wire and aid in pulling the hose over the opening.*

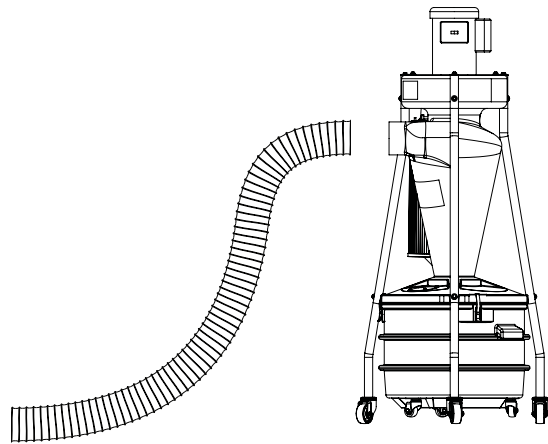


FIG. 13

- 14** If you plan to hook four inch flex hose to the inlet, slide the 1/2" Silicone Band (D2) around the cyclone's 5" inlet so that it is 1/4" from the edge. Push the 4" Reducer Adapter (D1) firmly onto the inlet and over Silicone Band. Use a wooden block and mallet to gently seat the adapter into place (using the wooden block to evenly distribute the force and avoid deforming the molded adapter) [FIG. 14a].

For a more secure fit, the included Screws (D3) can be used to permanently attach the 4" Reducer Adapter. Prior to installing the Adapter, mark three locations around the outside edge at 120-degree increments [FIG. 14b] and 1/2" from the edge [FIG. 14c]. Pre-drill three 1/8" diameter holes at these locations. Then install three #8 x 1/2" Screws into these holes after installing the Adapter [FIG. 14d].

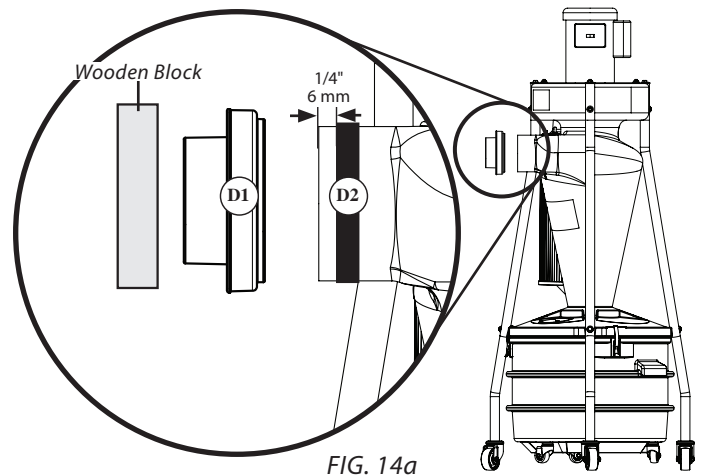


FIG. 14a

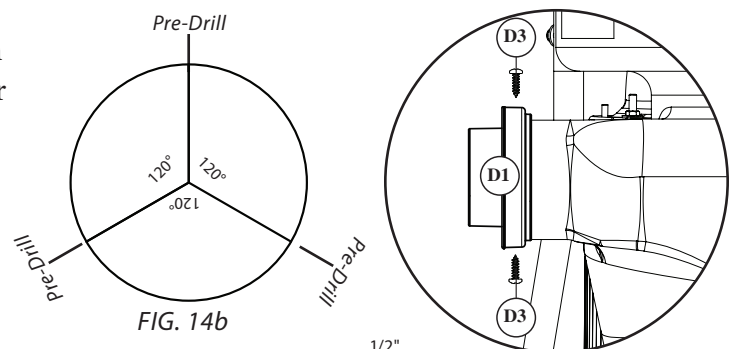


FIG. 14c

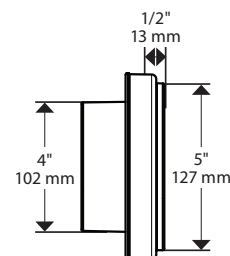


FIG. 14d

# Assembly Instructions (Continued)



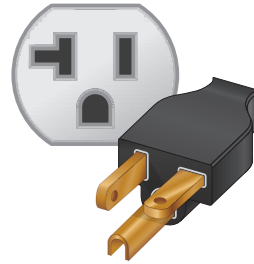
The Mini-Gorilla requires a 20 Amp outlet receptacle to be installed by a licensed electrician.

15

The Mini-Gorilla requires a 20 Amp outlet receptacle to be installed by a licensed electrician. Review outlet receptacles shown in [FIG. 15] based on the voltage of your unit.

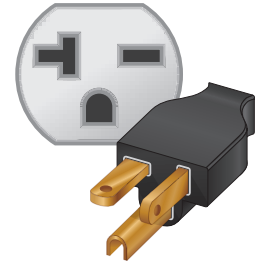
*Note: The Mini-Gorilla should run on a dedicated circuit that is adequately sized for its amperage and voltage requirements.*

120V / 16A Mini-Gorilla  
#XXPM010100H



Use NEMA 5-20  
Receptacles

220V / 8A Mini-Gorilla  
#XXPM010100H220



Use NEMA 6-20  
Receptacles

FIG. 15

16

Installation is complete! Plug in your collector and turn on the rocker switch mounted on the motor. [FIG. 16]

*Note: Refer to the FAQ section for suggestions on how to connect your collector to your layout.*

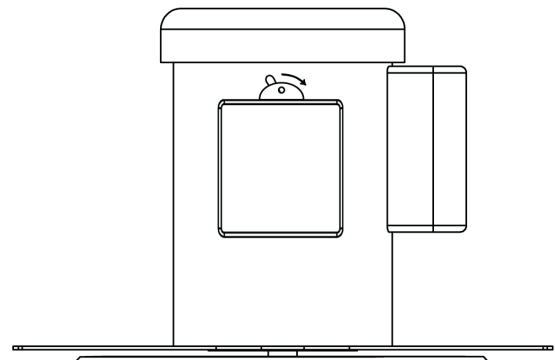


FIG. 16

# Maintenance

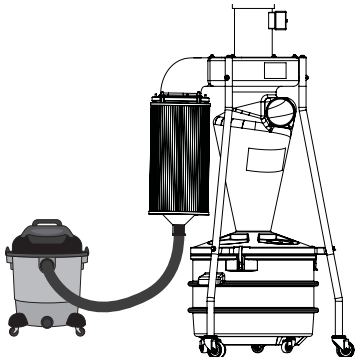


**UNPLUG YOUR UNIT BEFORE SERVICING OR CLEANING. KEEP THE TOP VENTS IN THE COWLING CLEAN. THESE ARE FOR BOTH EXHAUST AND INCOMING COOLING AIR FOR THE MOTOR.**

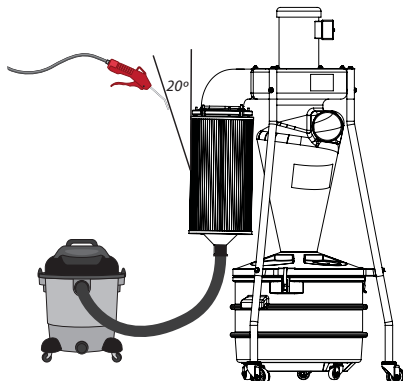
## Cleaning the filter

Proper filter cleaning should not be neglected as a dirty filter can significantly affect your dust collector's performance and the overall lifespan of your filter.

1. Wear a dust mask and eye protection.
2. Turn off and unplug the dust collector and wait for the fan blower to come to a complete stop and for the dust to settle.
3. Remove the Filter Cap (C9V) from the bottom of the filter. Attach your wet/dry vacuum's hose to the outlet. Turn on your wet/dry vacuum.  
*Note: The filter's outlet measures 1.9" ID and 2.1" OD; You may need an adapter depending on your hose. If you don't have a shop vacuum available you can clamp a bag over the outlet to collect excess dust.*



4. While the wet/dry vacuum is running. Use a hand-held, compressed air nozzle with a pressure between 30 to 60 PSI to blast air along the filter's exterior pleating. Hold the air nozzle at a 20 degree angle and at least 6" away from the filter; closer blasts may damage the filter material. Direct air out and away from anyone in the area. Do not use this method when any hazardous material has been vacuumed up.



5. Check to make sure filter is in good condition with no torn media or cracks or tears in the seal. A broken filter can leak material into the motor and cause severe damage! You cannot operate the system without a proper filter in place. (See Accessories page for the replacement filter part.) Operating without a sufficient filter will cause severe damage to the motor and will void the warranty!  
*Note: To help see damage from the outside, a flashlight can be used.*

## Emptying the Drum

When first using the dust collector, check the drum window regularly to get an idea of how often it needs to be emptied. If the drum becomes overfilled, the dust will be sucked into the collector and into the filter. To clean the view window **ONLY** use a clean, soft cloth. **NEVER** use solvents. Using a flashlight will make viewing the dust levels easier.

1. Wear a dust mask and eye protection.
2. Turn off the dust collector and wait for the fan blower to come to a complete stop and for the dust to settle before unlatching the drum from the cyclone body.
3. Dispose of waste safely and properly.
4. Replacement bags should be 36" x 36" and at least 1.5 mils thick. See Accessories page for replacement bags needed for your system. When you are not using a bag in your drum then you must use the Cap (C9F).

# Troubleshooting

PROBLEM	CAUSE	SOLUTION
Motor Overheating/System Tripping (The motor's internal circuit breaker will trip if the motor is overheating)	Air leaks between the dust collector and dust bin	<ol style="list-style-type: none"> <li>1. The lid of the dust drum must be in place, have a foam seal, and be well seated when operating the dust collector</li> <li>2. Check for holes or leaks in the dust barrel</li> <li>3. Check the vinyl hose connection and the filter cap.</li> </ol>
	Motor not properly wired	<ol style="list-style-type: none"> <li>1. Check wire connections</li> <li>2. Check motor rotation</li> <li>3. Check breaker box to make sure power supply is correct for motor</li> <li>4. Ensure the unit is not installed on a GFCI outlet/breaker. We recommend a 20A HACR-type circuit breaker.</li> </ol>
	Circuit breaker tripped	<ol style="list-style-type: none"> <li>1. The Mini-Gorilla draws approximately 15 amps. Make sure your wiring can accommodate this load. Never compromise the grounding pin on any plug.</li> <li>2. Check for clogs or debris jamming the fan blade.</li> <li>3. Ensure the unit is not installed on a GFCI outlet/breaker. We recommend a 20A HACR-type circuit breaker.</li> </ol>
Poor dust pick-up at Tools	System and ductwork connections	<ol style="list-style-type: none"> <li>1. Check length of duct runs, duct diameters, and hood design compared to ductwork design guidance</li> <li>2. Make sure all connections to the system are sealed. Large air losses will occur even through small cracks in the ductwork. Use silicone, duct tape or duct mastic compound as a sealant.</li> <li>3. Check for air leaks between collector and dust drum.</li> <li>4. Be sure that your filter is clean.</li> </ol>
Filter Clogging	Large Chips Clogging the Filter	<ol style="list-style-type: none"> <li>1. Check for a leak in the dust bin or lid.</li> <li>2. Make sure dust bin has not over filled. Dust bin should be emptied before the dust reaches top of container.</li> </ol>
	Fine dust clogging the filter	<ol style="list-style-type: none"> <li>1. Air flow to the collector may be restricted. The collector needs the equivalent of at least a 4" diameter cross-section open to allow adequate air volume and speed for pre-separation in the cyclone stage of the collector. If you are using a woodworking machine with only one 2" diameter dust port, partially open another blast gate to compensate.</li> <li>2. Heavy sanding with a drum sander or fine grit paper will cause the pleated filter media to bind sooner than with larger size dust. Clean filter more often with compressed air.</li> </ol>



If you continue to experience difficulty with your dust collector, call Oneida Air Systems' Customer Service Department at 1-866-387-8822 or email [support@oneida-air.com](mailto:support@oneida-air.com).

# FAQ

---

## **How is the Mini Gorilla filter cleaned? I don't see the typical hand crank.**

The use of hand cranks that "beat" the filter can damage the filter's pleating material overtime, so our systems are not built with such systems. Please see the Maintenance section titled Cleaning the filter.

## **Can this be used for wet applications?**

No. This system is designed for collecting dry materials only.

## **What dust can be collected?**

Oneida Air Systems' dust collectors are designed and tested for wood and wood dust. They can and have been be used effectively for various other dusts and chips such as drywall dust, paper dust, agricultural dust, metal chips and other forms of debris. The customer is however, cautioned that some common materials when cut, ground or processed by machinery may become very dangerous: highly toxic, flammable, or deflagrable and explosive and they should therefore ensure that you use your particular use of a dust collection system in accordance to national, state, local, NFPA, OSHA and all other applicable codes.

## **Can I wall mount my Mini Gorilla to the wall?**

Currently, we do not have any wall mount solution available.

## **Is this product compatible with Quick-Clamp Duct?**

Yes, but you will need both a 5" Female Hose Quick Connect (DQF050000) and a Machine Adapter (GAM050000) into the dust collector's inlet. The Machine adapters are smaller on the raw end than traditional ducting. A 5" Quick-Clamp Duct Machine Adapter will measure ~4.9" O.D. on the raw end.

## **How do I connect the Mini Gorilla to my tools?**

The Mini-Gorilla's inlet measures 5" on the outer diameter, making it ideal for accepting raw (uncrimped) ductwork fittings over the inlet such as reducers and quick-connects. Crimped ductwork will not usually fit into the inlet but can be done when necessary and secured in place with foil tape. Flex hose can also be pulled over the inlet but will generally be a tight fit.

## **What size tool ports will this work with?**

The Mini Gorilla is optimized for use with tools that have a single 4" or 5" dust collection port. When using the Mini Gorilla on smaller dust ports between 2"-3", performance will be reduced. If optimal performance is required on port sizes smaller than 4", you should consider the Dust Cobra (#XCKM) or the Supercell (#XSK).

Both systems have high static pressure, which allows for better performance on smaller port sizes.

## **How many tools can I collect from simultaneously?**

We recommend to run one tool with a 4" or 5" port at a time. If you have multiple tools connect to your system, close off the ports to unused tools with blast gates when they are not in use.

# FAQ (Continued)

---

## **Do you have a ductwork kit that includes everything I need to get started?**

Yes, we have a Mini-Gorilla Quick-Start Ductwork Kit (KDZ010100) that includes:

- a. DHF051000: Ten feet of 5" flex hose
- b. ACB060000: Two 3-6" clamps
- c. DZX990504: One 5-4" reducer crimped on the 5" end.

## **Can I connect Flex Hose directly to the inlet?**

Yes, it will be a secure and firm fit. However, you can secure it further by using a Quick-Release Hose Clamp (ACB060000). Each clamp features a quick-release lock to simplify hose hookups with your tools. Simply lift up the locking hex-screw and the clamp will easily slip right off.

## **I'm having trouble attaching flex hose to the inlet, do you have any tricks?**

Start with the cut end of the hose and pull the hose ends up little by little to work the hose onto the cyclone's discharge. Pliers can be used to grab the reinforcing wire and aid in pulling the hose over the opening. Using heat (such as a hair dryer) can be gently applied to the molded inlet to make the resin more malleable and allow for easier hose fittings - exercise caution when heat-treating so as not to damage the system.

## **What's the furthest length and diameter of hose that I can run?**

You can run up to twenty-five feet of five inch flex hose.

## **How can I connect 4" Flex Hose directly to the inlet?**

The Mini Gorilla is equipped with an Inlet Adapter Kit for 4" Hose (D). After installing this adapter it becomes very simple to attach and remove 4" diameter flex hose from the inlet.

## **Why do I need a special outlet?**

20A plugs are designed to be "mistake proof" so that they aren't connected to a circuit that is only rated for 15A.

## **Why doesn't this system use 15A or less?**

While this would be possible with a 1.5hp motor, this would result in a substantially weaker dust collection system for the owner.

## **Can I use an outlet adapter?**

No, this is not recommended. Your dust collector should run on a dedicated circuit that is adequately sized for its amperage and voltage requirements.

# Recommended Accessories



## 10.5" x 19.5" HEPA Cartridge Filter with FlameGuard

#FCS101935HF

- Independently tested G.E. Certified H12 HEPA filter media.
- Wide-spaced pleated filters with teflon-like coating for quick and easy dust removal.
- Equipped with patented FlameGuard™ arrestor mesh for added safety.

## 22 Gallon Heavy-Duty Plastic Liner Bag

#VAB363602



- Lines the inside of medium sized, 22 gallon containers for fast and simple waste disposal.
- Heavy thickness protects against tearing from wood chips or other sharp debris.
- 36"H x 36" Dia.

## Dust Sentry Bin Level Indicator

#AXB999110B



- High intensity strobe light can be mounted anywhere in your shop!
- Low voltage - Works on standard 110V power
- User controlled fill-level can be adjusted for distances 1" to 20" from the lid

## iVAC Pro Tool Plus Automatic Power Sensor

#STZ212301



- Up to 8 tool sensors can be synced to the same switch.
- Transmits radio frequency signal to the iVAC Pro Switch from up to 40' away.
- Multiple operating modes for automatic or direct manual control of the system.

## 115V iVAC Pro Automated Dust Control Switch

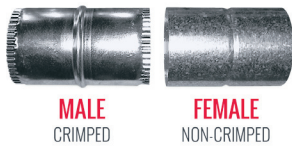
#ARS115200



- Detects when your power tools are on and automatically turns on the dust collector for you!
- Includes 1 Remote Control with belt-clip.
- Switch receives signals from up to 40' away in any direction.



# Recommended Accessories (Continued)



## 5" Hose Quick Connect Adapter Kit

#DQK050000

- Includes both the crimped and non-crimped quick release flex-hose adapter fittings.
- Made from heavy-gauge, galvanized steel.
- Perfect when using a single connection to switch between multiple tools.



## 5" - 4" Reducer

#DRL050400

- The Mini-Gorilla's inlet accepts raw (uncrimped) ends. Raw ends can be crimped if specified by customer.
- Useful for reducing the diameter of your ductwork connecting to your tools and/or flex hose.
- Ends measure 2" deep.



## 4" - 2.5" Reducer

#DRL040212

- Useful for reducing the diameter of your ductwork connecting to your tools and/or flex hose.
- Tapered for high airflow efficiency.
- Heavy wall thickness.



## Flex Hose 5" Diameter by 15' Long

#DHF051500 (also available in 5', 10' and 25' lengths)

- Highly flexible hose made from abrasion resistant PVC material.
- Reinforced with steel wire-helix for heavy-duty usage.
- Transparent hose makes it easy to spot and clear potential blockages.



## 3"-6" Quick-Release Hose Clamp

#ACB060000

- Secure flex-hose fittings over the ports on your tools and dust collector.
- They easily adjust in size to slip over the hose and can then be tightened.
- Each clamp features a quick-release lock to simplify hose hookups with your tools.

# Warranty Information

---

## Limited Warranty – Activate online at [oneida-air.com/warranty](http://oneida-air.com/warranty)

Oneida Air Systems®, Inc. (OAS) warrants the products it manufactures for a period of 1 or more years, depending on the product, to the original purchaser from the date of purchase, unless otherwise specified. Items not manufactured by Oneida Air Systems are limited to their own manufacturer's warranties. All electrical items such as magnetic starters, remotes, sensors, pumps, bin sensors, bag grippers, etc. and accessories are limited to 90 days. Oneida Air Systems warrants that the product will be free from defects in materials and workmanship.

This is Oneida Air Systems' sole written warranty and any and all warranties that may be implied by law, including any merchantability or fitness, for any particular purpose, are hereby limited to the duration of this written warranty. Oneida Air Systems does not warrant or represent that the merchandise complies with the provisions of any law or acts unless the manufacturer so warrants. This warranty does not apply to defects due directly or indirectly to misuse, negligence, accidents, abuse, repairs, alterations, improper wiring or lack of maintenance. In no event shall Oneida Air Systems' liability under this warranty exceed the purchase price paid for the product and any legal actions brought against Oneida Air Systems shall be tried in the State of New York, County of Onondaga.

The buyer is cautioned to install and operate Dust Collectors in accordance with prescribed Federal, State, OSHA, NFPA, local codes and regulations. This equipment should be installed/wired by a licensed electrician following all applicable codes. Local codes can be significantly different from national codes. The customer assumes the responsibility for contacting their insurance underwriter with regard to specific application requirements of venting or if additional fire protection and safety equipment may be required. Oneida Air Systems shall in no event be liable for death, injuries to persons or property or for incidental, and contingent, special, or consequential damages arising from the use of our product.

Oneida Air Systems makes every effort to accurately represent our products and prices, however Oneida Air Systems reserves the right to make changes to products and prices at any time. As a manufacturer, Oneida Air Systems reserves the right to change product specifications at any time in an effort to achieve better quality products.



**ONEIDA AIR SYSTEMS SHALL IN NO EVENT BE LIABLE FOR DEATH, INJURIES TO PERSONS OR PROPERTY OR FOR INCIDENTAL, AND CONTINGENT, SPECIAL, OR CONSEQUENTIAL DAMAGES ARISING FROM THE USE OF OUR PRODUCT.**



## SAFETY WARNING - PLEASE READ

Before Purchasing or Installing a dust collection system the buyer is cautioned to do so in accordance with prescribed Federal, State, Local, OSHA, NFPA, and any other applicable codes or regulations relating to the type of dust(s) you are collecting.

**SOME TYPES OF DUST UNDER CERTAIN CONDITIONS HAVE THE POTENTIAL TO BE EXPLOSIVE.**

Oneida Air Systems is not responsible for how the dust collector is used or installed. Dusts with deflagration or explosion risks, such as wood dust, may require additional safety equipment including but not limited to; venting, spark detection, suppression systems, back draft dampers or may require installation in an outside location or in a protected area away from personnel. The customer assumes the responsibility for contacting their insurance underwriter with regard to specific engineering controls or application requirements. (We suggest you reference NFPA 664, 654 and 68 codes for more information) Oneida Air Dust Collection Systems may not be suitable for some applications and are not designed to be used in explosive atmospheres. Oneida Air Systems equipment should only be installed and wired by a licensed electrician following all applicable local and national electrical codes.

Some dust created by power sanding, sawing, grinding, drilling, and other construction activities contains chemicals known to cause cancer, birth defects or other reproductive harm. Some examples of these chemicals are: Lead from lead-based paints; Crystalline silica from bricks, cement and other masonry products; Arsenic and chromium from chemically-treated lumber; etc.

Your risk from these exposures varies, depending on how often you do this type of work. To reduce your exposure to these chemicals, work in a well ventilated area, and work with approved safety equipment, such as those dust masks that are specially designed to filter out microscopic particles. Oneida Air Systems recommends using additional approved safety equipment such as an approved OSHA and NIOSH dust mask or respirator.

Oneida Air Systems makes every effort to accurately represent our products, specifications and prices; however Oneida Air Systems reserves the right to make changes to products and prices at any time. As a manufacturer, Oneida Air Systems reserves the right to change product designs and specifications at any time.





*The* **Industry Leader in Dust Collection**

**Thank you for your business!**

Regardless of where you purchased your system, if you have any questions or issues with missing / damaged parts, please call Oneida Air Systems first to let us help resolve your problem. We fully stand behind the quality of our products and place the utmost value on customer satisfaction.

We want to do everything possible to make your purchase and experience with Oneida Air Systems a good one!

**Customer Service Dept.**

**1-866-387-8822 • [support@oneida-air.com](mailto:support@oneida-air.com)**

1001 West Fayette Street, Syracuse, NY 13204 U.S.A.

Copyright © 2024 Oneida Air Systems, Inc.