

FESTOOL

CT 22 E
CT 33 E



Instruction manual

Page 4 - 8

IMPORTANT: Read and understand all instructions before using.

Guide d'utilisation

Page 9 - 13

IMPORTANT: Lire et comprendre toutes les instructions avant de démarrer les travaux.

Manual de instrucciones

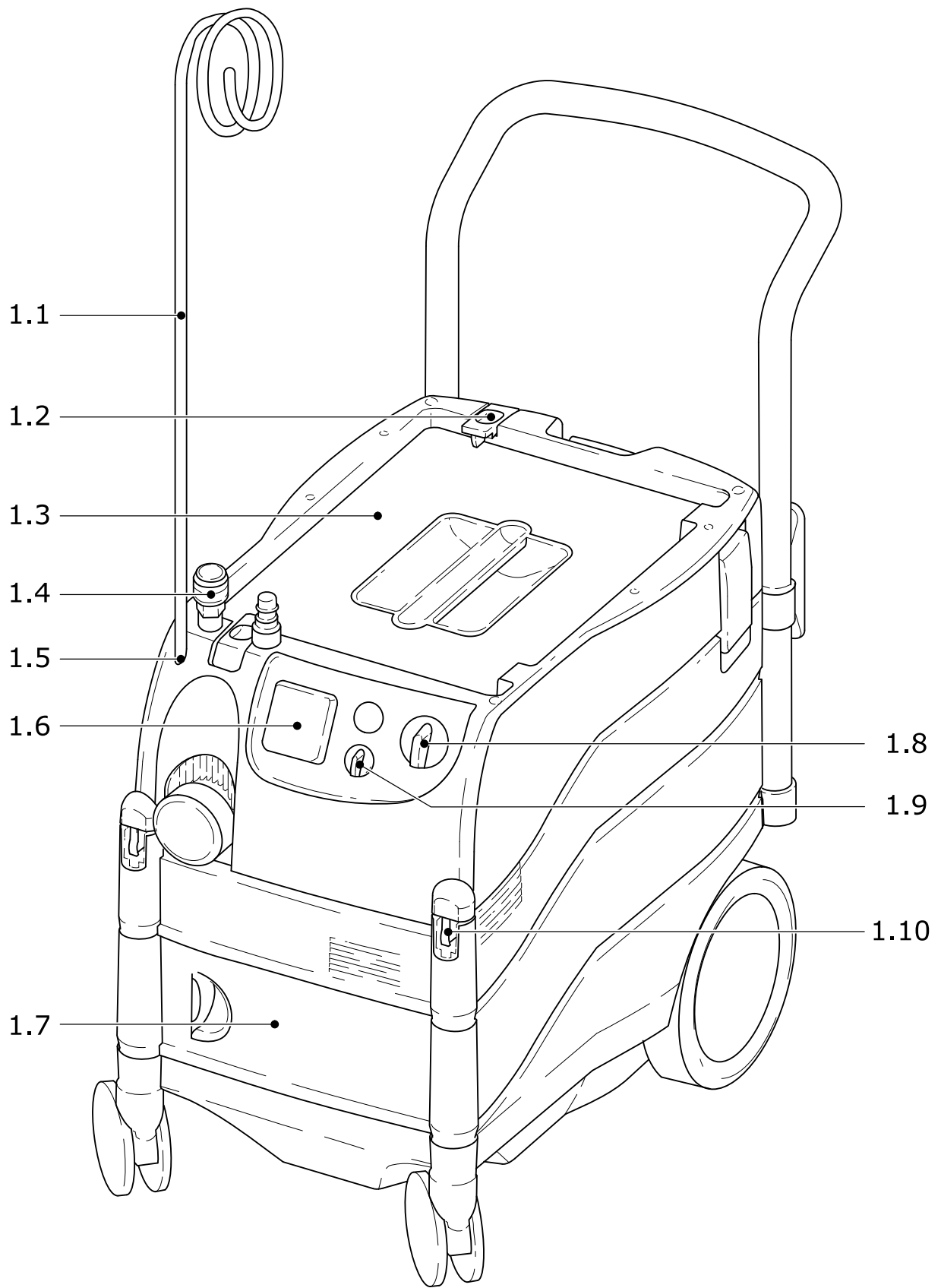
Página 14 - 18

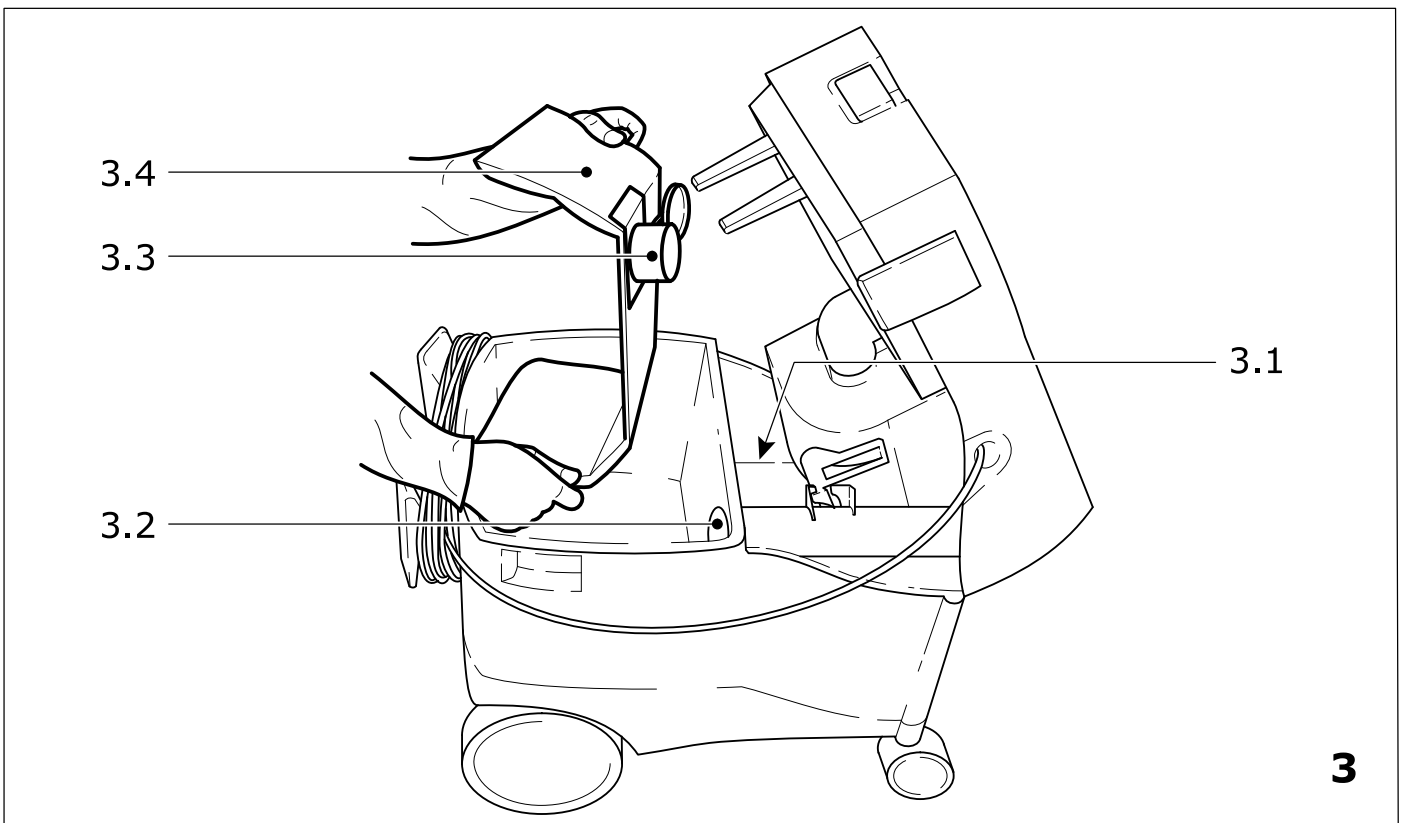
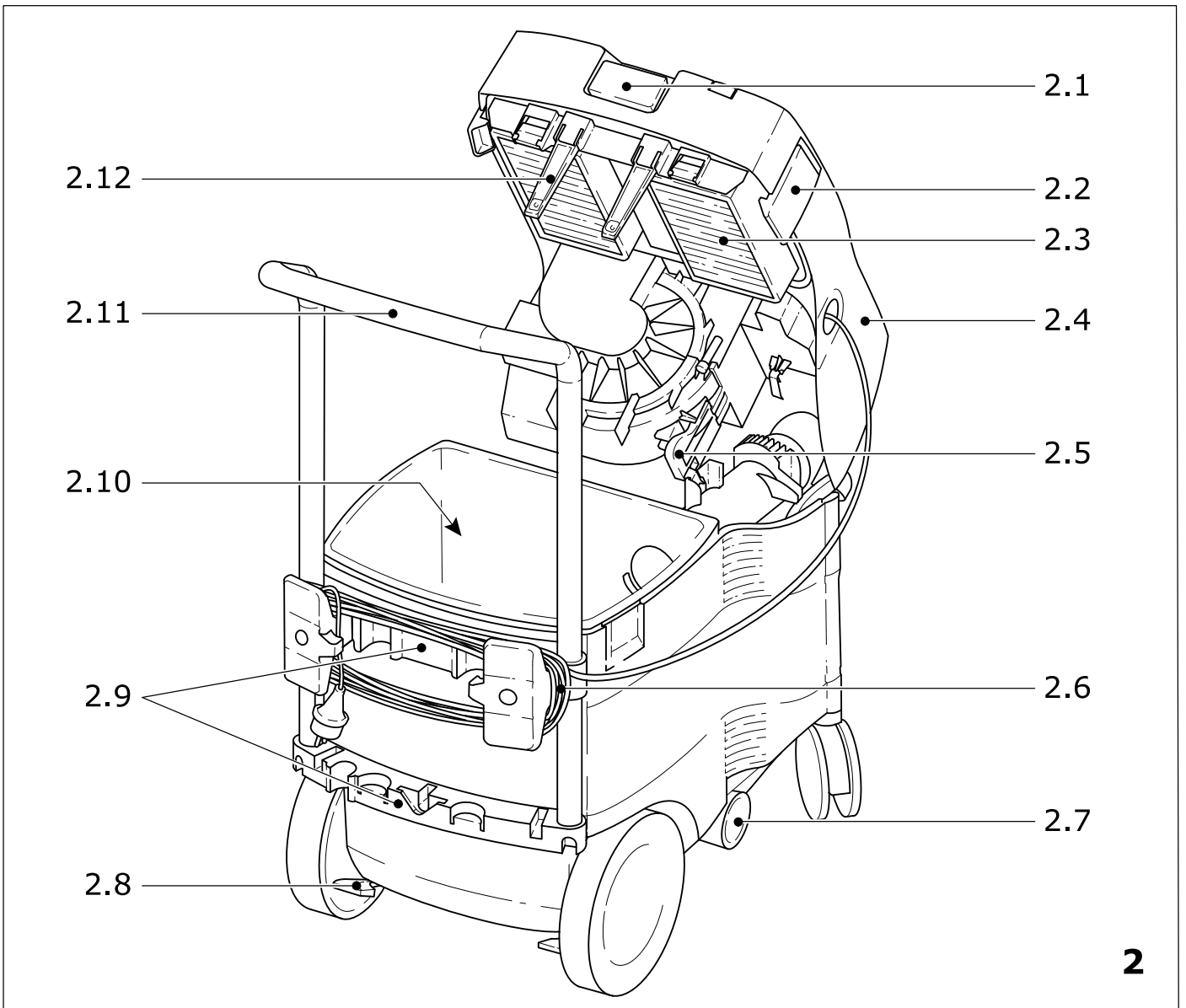
IMPORTANTE: Lea y comprende todas las instrucciones antes de usar.

Vacuum cleaner

Aspirateur

Aspirador





SAFETY INSTRUCTIONS

READ ALL INSTRUCTIONS BEFORE USING THIS APPLIANCE !

⚠WARNING To reduce the risk of fire, electric shock, or injury:

- 1 Do not leave this appliance unattended when plugged in.** Unplug from outlet when not in use and before servicing.
- 2 To reduce the risk of electric shock** – Do not expose to rain. Store indoors.
- 3 Do not allow to be used as a toy.** Close attention is necessary when used by or near children or animals.
- 4 Use only as described in this manual.** Use only manufacturer's recommended attachments.
- 5 Do not use with damaged power cord or plug.** If the appliance is not working as it should, has been dropped, damaged, left outdoors, or immersed in or dropped into water, return it to a service center.
- 6 Do not** – pull or carry by the power cord, use power cord as a handle, close a door on power cord, or pull power cord around sharp edges or corners. Do not run appliance over power cord. Keep power cord away from heated surfaces.
- 7 Do not unplug by pulling on power cord.** To unplug, grasp the plug, not the cord.
- 8 Do not handle plug or appliance with wet hands.**
- 9 Do not put any object into the appliance openings.** Do not use the appliance with any opening blocked; keep openings free of dust, lint, hair, and anything that may impede airflow.
- 10 Keep hair, loose clothing, fingers, and all parts of body away from openings and moving parts.**
- 11 Turn off all controls before unplugging.**
- 12 Use extra care when cleaning on stairs.**
- 13 Do not use this appliance to vacuum flammable or combustible liquids** such as gasoline, or vacuum in areas where these may be present.
- 14 Connect to a properly grounded outlet only.** See Grounding Instructions.
- 15 Do not vacuum anything that is burning or smoking, such as cigarettes, matches, or hot ashes.** Do not use this appliance to extract flammable or explosive dusts (such as magnesium, aluminum, etc.). Risk of explosion!
- 16 Do not use without dust bag and/or filters in place.**
- 17 Do not use to vacuum up caustic or aggressive liquids** (e.g. acids, alkalis, solvents).

18 Protect the power cord against heat, oil and sharp edges.

19 Check the plug and power cord regularly and have them replaced by a qualified technician if damaged.

20 Do not lift or carry the appliance by its handles using a crane hook or lifting gear.

21 Use only accessories approved by Festool (see the Festool Catalog).

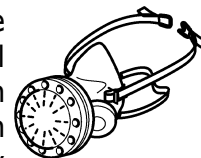
⚠WARNING

Various dust created by power sanding, sawing, grinding, drilling and other construction activities contains chemicals known (to the State of California) to cause cancer, birth defects or other reproductive harm. Some examples of these chemicals are:

- lead from lead-based paints,
- crystalline silica from bricks and cement and other masonry products, and
- arsenic and chromium from chemically-treated lumber.

The risk from these exposures varies, depending on how often you do this type of work.

To reduce your exposure to these chemicals: work in a well ventilated area, and work with approved safety equipment, such as dust masks that are specially designed to filter out microscopic particles.



GROUNDING INSTRUCTIONS

This appliance must be grounded. If it should malfunction or break down while in use, grounding provides a path of least resistance for the electric current and reduces the risk of electric shock to the operator. This appliance has a power cord with equipment-grounding conductor and grounding plug. The plug must be inserted into an appropriate outlet that is properly installed and grounded in accordance with all local codes and ordinances.

⚠WARNING Improper connection of the equipment-grounding conductor can result in a risk of electric shock. Check with a qualified electrician or service person if you are in doubt as to whether the outlet is properly grounded.

⚠WARNING Do not modify the plug provided with the appliance – if it will not fit the outlet, have a proper outlet installed by a qualified electrician.

⚠WARNING This appliance is rated more than 15 amperes and is for use on a circuit having a nominal rating of 120 volts, and is factory-equipped with a specific electric cord and plug to permit connection to a proper electric circuit.

Make sure that the appliance is connected to an outlet having the same configuration as the plug. No adapter should be used with this appliance. If the appliance must be reconnected

for use on a different type of electric circuit, the reconnection must be made by qualified service personnel.

SAVE THESE INSTRUCTIONS

1 Technical data

Power consumption	350 - 1,200 W
Connected load to appliance plug socket max.	1,200 W
Total connected load max. (vacuum cleaner and plug socket)	2,400 W
Volume flow (air) max., turbine	228 m ³ /h (8.2 cu.ft./h)
Vacuum max., turbine	23,000 Pa
Filter surface	14,000 cm ² (2,170 sq.in.)
Suction hose, diameter x length	27 mm x 3.5 m (1.06 in. x 11.48 ft.)
Dimensions L x W x H:	
CT 22 E	625 x 380 x 440 mm (24.6 x 15 x 17.3 in.)
CT 33 E	625 x 380 x 500 mm (24.6 x 15 x 19.7 in.)
Container capacity:	
CT 22 E / CT 33 E	22 l (5.7 gal.) / 33 l (8.6 gal.)
Weight:	
CT 22 E / CT 33 E	12 kg (26.4 lbs) / 14.5 kg (32 lbs)
Power cable length	7.5 m (24.6 ft.)
Protection type	IP X4

The specified illustrations can be found at the beginning of the operating instructions.

2 Intended use

The vacuum cleaners are designed for use as specified for the aspiration and evacuation of non-noxious dusts, dirt, sand, shavings etc..

The vacuum cleaners are designed as specified for vacuuming water.

The vacuum cleaners are designed in accordance with IEC 60335-1 and IEC 60335-2-69 for a higher loading in industrial use.

The user is solely responsible for any damage or accident should the machine be used for other than its intended purpose.

3 Appliance preparation and initial operation

3.1 Electrical connection

The operating voltage shown on the rating plate must correspond to the voltage of the mains power supply. **!WARNING** Make sure that the vacuum cleaner is switched off when you plug the power cable in.

3.2 On/off switch (1.8)

In position 0 the vacuum cleaner is switched off and the appliance plug socket (1.6) is dead. Two modes of operation are possible:

a) Switch position „MAN“:

The cleaner motor starts immediately.
The appliance plug socket is dead.

b) Switch position „Auto“:

The appliance plug socket is live. The cleaner motor starts only when the tool connected to the appliance plug socket is switched on.

!WARNING Before turning the switch to the „Auto“ position, ensure that the tool connected to the appliance plug socket is switched off.

3.3 Suction force regulator (1.9)

The suction force regulator can be used to vary the suction capacity. This permits a precise adaptation to different substances to be picked up.

3.4 Connecting an electric tool

Observe the maximum connected load on the appliance plug socket (see "Technical Data")! Connect the electric tool to the appliance plug socket (1.6).

!WARNING Make sure that the electric tool is switched off when plugging it in and unplugging it.

3.5 Connecting a compressed-air tool

When the compressed-air module (1.4, Order No. 452 829) is fitted, the automatic cut-in of the appliance also operates in conjunction with compressed-air tools.

We also recommend fitting of the VE supply unit (Order No. 452 797). The supply unit filters and oils the compressed air and allows the air pressure to be regulated.

An IAS connecting piece (Order No. 454 757) is available for connecting Festool compressed-air tools with the IAS system.

To ensure trouble-free functioning of the automatic cut-in, the operating pressure of the tool must be 6 bar.

⚠WARNING Make sure that the compressed-air tool is switched off when plugging it in and unplugging it!

4 Application

A systainer can be fixed on the shelf (1.3) with the two clamps (1.2). Tools or accessories can also be stowed on the shelf and in the storage compartments (1.7, not with CT 22 E).

A hose coupling (1.1, Order No. 487 072) can be plugged into the opening (1.5). The suction hose is connected to the tool from above with the hose coupling. Alternatively, a hose clip (order No. 452 998) can be fitted for coiling the suction hose.

The wheels can be blocked by the brakes (2.8), thus preventing the vacuum cleaner from rolling away unexpectedly.

The push handle (2.11, Order No. 452 921) makes the vacuum cleaner easier to move. Accessories (e.g. vacuum accessories) can be fixed to the push handle batten (2.9).

An air blast is obtained by inserting a suction hose in the blast opening (2.7).

4.1 Vacuuming dry materials

Before using the vacuum cleaner to evacuate dry substances, a filter bag must always be inserted in the container. Then the evacuated material can be disposed off easily.

The filter element becomes damp after evacuating liquids. A damp filter element suffers more wear and tear if it is used for dry materials. Accordingly, the filter element should be dried or replaced with a dry one before dry operation.

4.2 Vacuuming liquids

The filter bag has to be removed before evacuating liquids. We recommend use of a special wet filter (Order No. 452 924).

When the maximum filling level is reached, a level indicator (2.12) automatically interrupts extraction.

⚠WARNING Do not evacuate combustible liquids!

If foam or liquid escapes, stop work immediately and empty the dirt container (see 5.4).

4.3 The antistatic system (AS)

Friction in the suction hose causes electrostatic charges which can result in unpleasant electric shocks for the operator.

In order to conduct these static charges to earth, the extraction units are provided with an antistatic system as a standard feature. However, antistatic hoses and accessories have to be used in this case.

4.4 Temperature control

To prevent over-heating, a temperature control device switches the vacuum cleaner off before reaching a critical motor temperature is reached. Let the vacuum cleaner cool down for about 5 minutes.

If it does not then switch on again automatically, consult a Festool customer service centre.

5 Operation

5.1 Opening/closing the vacuum cleaner

- Open retaining clamps (2.2) ,
- Raise upper part (2.4) until support catch (2.5) engages.

Follow the reverse order to close the appliance. You must raise the upper part slightly before depressing or disengaging the support.

5.2 Changing the filter

⚠WARNING During the following procedure, take care not to raise dust more than is unavoidable.

a) Changing filter bag

Order No.: CT 22 E: 452 970

CT 33 E: 452 971

- Open the vacuum cleaner,
- Remove the used filter bag (3.4): see printed text on filter bag,
- Dispose of the used filter bag in accordance with statutory requirements,
- Thoroughly clean the dirt container (2.10) and the space (3.1) for suction turbine (wipe down with a damp cloth),
- Insert new filter bag: see printed text on filter bag. **Important:** Press the filter bag sleeve (3.3) firmly onto the dust extraction fitting (3.2)!
- Close the vacuum cleaner.

b) Changing the filter element

Order No.: 452 923

- Open the vacuum cleaner,
- Remove the used filter element (2.3): see printed text on the filter element packaging,
- Dispose of the used filter element in a sealed, dust-tight bag in accordance with statutory requirements,

- Thoroughly clean dirt container (2.10) and space (3.1) for the suction turbine (wipe down with a damp cloth),
- Fit a new filter element: see printed text on the filter element packaging,
- Close vacuum cleaner.

5.3 Cleaning the filter element

To clean, move the handle (2.1) to and fro about 10 times.

N.B.: You need to clean the filter element only if you use the vacuum cleaner without a filter bag.

5.4 Emptying the dirt container (2.10)

⚠ CAUTION Always remove the upper part of the vacuum cleaner before emptying the dirt container!

- Open the vacuum cleaner,
- Raise the upper part slightly, depress the support (2.5),
- Raise the upper part to the stop (vertical position),
- Remove the upper part by moving it forwards horizontally,
- Empty the dirt container,
- Replace the upper part. **⚠ CAUTION** Make sure that both upper-part pins are fully inserted in the recesses (1.10).
- Close the vacuum cleaner.

6 After finishing work

- Switch off the cleaner and pull the plug of the mains lead out of the plug socket.
- Wind up the mains lead (2.6).
- Empty dirt tank.
- Clean the vacuum cleaner inside and outside by suction and wiping.
- Deposit the appliance in a dry room, safe from unauthorised use.

7 Maintenance and care

⚠ WARNING Always remove the mains plug from the socket before carrying out any maintenance work!

Any maintenance and repair work requiring an opening of the motor housing may only be carried out by an authorised customer service workshop.

A safety test is to be carried out at least once a year by the manufacturer or an instructed person, e.g. for possible damage to the filter and leaks in the appliance, and to ensure that the control devices are functioning.

8 Accessories, filter

The accessory and filter order number can be found in your Festool catalogue or on the Internet under "www.festool.com".

9 Warranty

Conditions of 1+2 Warranty

You are entitled to a free extended warranty (1 year + 2 years = 3 years) for your Festool power tool. Festool shall be responsible for all shipping costs during the first year of the warranty. During the second and third year of the warranty the customer is responsible for shipping the tool to Festool. Festool will pay for return shipping to the customer using UPS Ground Service. All warranty service is valid 3 years from the date of purchase on your receipt or invoice.

Festool Limited Warranty

This warranty is valid on the pre-condition that the tool is used and operated in compliance with the Festool operating instructions. Festool warrants, only to the original consumer purchaser, that the specified tool will be free from defects in materials and workmanship for a term of one year from the date of procurement. Festool makes no other warranty, express or implied, for Festool portable power tools. No agent, representative, distributor, dealer or employee of Festool has the authority to increase or otherwise change the obligations or limitations of this warranty. The obligations of Festool in its sole discretion under this warranty shall be limited to the repair or replacement of any Festool portable power tool that is found to be defective as packaged with the User Manual.

Excluded from coverage under this warranty are: normal wear and tear; damages caused by misuse, abuse or neglect; damage caused by anything other than defects in material and workmanship. This warranty does not apply to accessory items such as circular saw blades, drill bits, router bits, jigsaw blades, sanding belts, and grinding wheels. Also excluded are "wearing parts", such as carbon brushes, lamellas of air tools, rubber collars and seals, sanding discs and pads, and batteries.

Festool portable power tools requiring replacement or repair are to be returned with the receipt of purchase to Festool (call 800-554-8741 for address details).

IN NO EVENT SHALL FESTOOL BE LIABLE FOR ANY CONSEQUENTIAL OR INCIDENTAL DAMAGES FOR BREACH OF THIS OR ANY OTHER WARRANTY, EXPRESSED OR IMPLIED WHATSOEVER.

ALL WARRANTIES IMPLIED BY STATE LAW, INCLUDING THE IMPLIED WARRANTIES OF MERCHANTABILITY AND FITNESS FOR A PARTICULAR PURPOSE, ARE HEREBY LIMITED TO THE DURATION OF THREE YEARS.

Some states in the U.S. and some Canadian provinces do not allow the limitations on how long an implied warranty lasts, so the above limitation may not apply to you. With the

exception of any warranties implied by state or province law as hereby limited, the foregoing express limited warranty is exclusive and in lieu of all other warranties, guarantees, agreements and similar obligations of Festool.

This warranty gives you specific legal rights and you may also have other rights which vary from state to state in the U.S. and province to province in Canada.

IMPORTANTES MESURES DE SÉCURITÉ

LIRE TOUTES LES INSTRUCTIONS AVANT D'UTILISER CET APPAREIL !

⚠AVERTISSEMENT Pour réduire les risques d'incendie, de choc électrique ou de blessure :

- 1 Ne pas laisser l'appareil sans surveillance lorsqu'il est branché.** Débrancher lorsqu'il n'est pas utilisé et avant tout entretien.
- 2 Ne pas exposer à la pluie; entreposer à l'intérieur.**
- 3 Ne pas laisser les enfants s'en servir comme jouet.** Une attention particulière est nécessaire lorsque l'appareil est utilisé en présence d'enfants ou d'animaux.
- 4 N'utiliser que conformément à cette notice,** avec les accessoires recommandés par le fabricant.
- 5 Ne pas utiliser si le cordon ou la fiche est endommagé.** Retourner l'appareil à un atelier de réparation s'il ne fonctionne pas correctement, s'il est tombé, s'il a été endommagé, immergé ou laissé à l'extérieur.
- 6 Ne pas tirer, soulever ou traîner l'appareil par le cordon.** Éviter d'utiliser le cordon comme une poignée, de le coincer dans l'embrasure d'une porte ou de l'appuyer contre des arêtes vives ou des coins. Ne pas faire rouler l'appareil sur le cordon. Garder le cordon à l'écart des surfaces dégageant de la chaleur.
- 7 Ne pas débrancher en tirant sur le cordon.** Tirer plutôt la fiche.
- 8 Ne pas toucher la fiche ou l'appareil lorsque vous avez les mains humides.**
- 9 N'insérer aucun objet dans les ouvertures.** Ne pas utiliser l'appareil lorsqu'une ouverture est bloquée. S'assurer qu'aucune matière (poussière, peluche, cheveux ou autre) ne gêne la circulation d'air.
- 10 Tenir les vêtements amples, cheveux, doigts et autres parties du corps à l'écart des ouvertures et des pièces mobiles.**
- 11 Mettre toutes les commandes à la position ARRÊT avant de débrancher l'appareil.**
- 12 Faire particulièrement attention lors du nettoyage des escaliers.**
- 13 Ne pas aspirer de liquides inflammables ou combustibles,** comme de l'essence, et ne pas faire fonctionner dans des endroits où peuvent se trouver de tels liquides.
- 14 Brancher uniquement dans une prise de courant avec mise à la terre.** Voir les instructions concernant la mise à la terre.
- 15 Ne pas aspirer de matières en combustion ou qui dégagent de la fumée telles que cigarettes, allumettes ou**

cendres chaudes. Ne pas aspirer de liquide inflammable ou explosif (p. ex. essence, diluant, etc.) – Il y aurait risque d'explosion !

- 16 Ne pas utiliser l'appareil si le sac à poussière ou le filtre n'est pas en place.**
- 17 Ne pas aspirer de matière sèche ou de liquide agressif** (acide, lessive, solvant, etc.).
- 18 Protéger le câble contre la chaleur, l'huile et les arêtes vives.**
- 19 Vérifier régulièrement l'état de la fiche et du cordon et demander à un spécialiste de les remplacer s'ils sont défectueux.**
- 20 Ne pas soulever et transporter l'appareil par la poignée à l'aide de crochets de grue ou de dispositif de levage.**
- 21 N'utiliser que des accessoires autorisés par Festool** (voir le catalogue Festool).

⚠AVERTISSEMENT

Certaines poussières créées par le ponçage mécanique, le sciage, le meulage, le perçage et autres activités reliées à la construction contiennent des substances chimiques connues (dans l'État de la Californie) comme pouvant causer le cancer, des anomalies congénitales ou représenter d'autres dangers pour la reproduction. Voici quelques exemples de telles substances:

- Plomb provenant de peintures à base de plomb,
- Silice cristallisée utilisée dans les briques, le ciment et autres matériaux de maçonnerie, et
- Arsenic et chrome du bois d'œuvre traité avec un produit chimique.

Le risque d'exposition à de tels produits varie selon la fréquence à laquelle vous faites ce genre de travail.

Pour réduire les risques d'exposition à ces substances chimiques : travaillez dans un endroit adéquatement ventilé et utilisez un équipement de sécurité approuvé, tel que masques antipoussières spécialement conçus pour filtrer les particules microscopiques.



INSTRUCTIONS CONCERNANT LA MISE À LA TERRE

Cet appareil doit être mis à la terre. En cas de défectuosité ou de panne, la mise à la terre fournit au courant un chemin de moindre résistance qui réduit le risque de choc électrique. Cet appareil est pourvu d'un cordon muni d'un conducteur de terre et d'une fiche avec broche de terre. La fiche doit être branchée dans une prise appropriée correctement

installée et mise à la terre conformément aux règlements et ordonnances municipaux.

⚠️ AVERTISSEMENT Un conducteur de terre mal raccordé peut entraîner un risque de choc électrique. Consulter un électricien ou un technicien d'entretien qualifié si vous n'êtes pas certain que la prise est correctement mise à la terre.

⚠️ AVERTISSEMENT Ne pas modifier la fiche fournie avec l'appareil – si elle ne peut être insérée dans la prise, faire installer une prise adéquate par un électricien qualifié.

⚠️ AVERTISSEMENT Cet appareil a une puissance nominale de plus de 15 A prévue pour un circuit de 120 V. Il a été pourvu, en usine, d'un cordon et d'une fiche spécifiques permettant de le brancher à un circuit électrique adéquat. S'assurer que l'appareil est branché sur une prise de courant de même configuration que la fiche. Aucun adaptateur ne devrait être utilisé avec cet appareil. S'il est nécessaire de modifier les connexions de l'appareil pour l'adapter à une alimentation électrique d'un autre type, la modification doit être faite par un technicien qualifié.

CONSERVER CES INSTRUCTIONS

1 Caractéristiques techniques

Puissance consommée	350 - 1,200 W
Puissance maxi. connectée à la prise de l'appareil	1,200 W
Puissance connectée totale maximale (aspirateur et prise de l'appareil)	2,400 W
Débit (air) maxi., turbine	228 m ³ /h (8.2 cu.ft./h)
Dépression maxi., turbine	23,000 Pa
Surface du filtre	14,000 cm ² (2,170 sq.in.)
Tuyau d'aspiration, diamètre x longueur	27 mm x 3.5 m (1.06 in. x 11.48 ft.)
Dimensions P x L x A:	
CT 22 E	625 x 380 x 440 mm (24.6 x 15 x 17.3 in.)
CT 33 E	625 x 380 x 500 mm (24.6 x 15 x 19.7 in.)
Capacité de la cuve:	
CT 22 E / CT 33 E	22 l (5.7 gal.) / 33 l (8.6 gal.)
Poids:	
CT 22 E / CT 33 E	12 kg (26.4 lbs) / 14.5 kg (32 lbs)
Longueur du câble du secteur	7.5 m (24.6 ft.)
Degré de protection	IP X4

Les figures indiquées se trouvent au début du mode d'emploi.

2 Utilisation conforme à la destination

Les aspirateurs sont conçus pour aspirer des poussières, des impuretés, du sable, des copeaux etc. qui ne sont pas nocifs pour la santé.

Les aspirateurs sont aptes à aspirer de l'eau. Conformément à IEC 60335-1 et IEC 60335-2-69, les aspirateurs sont conçus pour supporter de fortes sollicitations en utilisation professionnelle.

L'utilisateur est seul responsable des dommages et accidents consécutifs à une utilisation de la machine non conforme à sa destination.

3 Préparation et mise en service de l'appareil

3.1 Branchement électrique

La tension de service indiquée sur la plaque signalétique doit correspondre à la tension du réseau de distribution.

⚠️ AVERTISSEMENT Avant de brancher le câble du secteur, vérifiez que l'aspirateur est coupé.

3.2 Interrupteur de marche/arrêt (1.8)

En position 0, l'aspirateur est arrêté et la prise de l'appareil (1.6) n'est pas sous tension.

Deux modes de fonctionnement sont possibles:

a) Commutateur sur position „MAN“:

Le moteur d'aspiration démarre immédiatement.

La prise de l'appareil n'est pas sous tension.

b) Commutateur sur position „Auto“:

La prise de l'appareil est conductrice.

Le moteur d'aspiration démarre à la mise sous tension de l'outil raccordé.

⚠AVERTISSEMENT Avant de tourner le commutateur sur la position „Auto“, veiller à ce que l'appareil raccordé soit arrêté.

3.3 Réglage de la puissance d'aspiration (1.9)

Le réglage de la puissance d'aspiration permet de varier la puissance d'aspiration, ce qui permet une adaptation précise aux différentes matières à aspirer

3.4 Raccordement d'un outil électrique

Respecter la valeur de raccordement maximale indiquée sur la prise de courant intégrée (voir „caractéristiques techniques“)! Raccorder l'outil électrique à la prise de courant intégrée (1.6).

⚠AVERTISSEMENT Veiller à ce que l'outil soit arrêté lors du branchement et du débranchement.

3.5 Raccordement d'un outil pneumatique

Grâce au montage du module pneumatique (1.4, référence 452 829), la mise en marche automatique de l'aspirateur fonctionne également avec des appareils pneumatiques.

Nous recommandons en outre le montage de l'unité d'alimentation VE (référence 452 797). Celle-ci filtre et huile l'air comprimé et règle la pression de l'air.

Un raccord IAS (référence 454 757) est disponible pour le raccordement d'outils pneumatiques Festool.

La pression de service de l'outil doit atteindre 6 bar pour garantir le parfait fonctionnement de la mise en marche automatique.

⚠AVERTISSEMENT Veiller à ce que l'outil pneumatique soit arrêté lors du branchement et du débranchement.

4 Utilisation

Un systainer peut être fixé sur le plateau (1.3) avec deux fermetures (1.2). Des outils et accessoires peuvent être également rangés sur le plateau et dans les deux compartiments (1.7, pas sur le CT 22 E).

Un support de tuyau (1.1, référence 487 072) peut être enfoncé dans l'ouverture (1.5). Il permet d'amener le tuyau d'aspiration par le haut sur l'outil.

Un crochet à tuyau (référence n° 452 998) peut également être fixé pour enrouler le tuyau d'aspiration.

Les freins (2.8) permettent de bloquer les roues et empêchent ainsi l'aspirateur de rouler.

La poignée (2.11, référence 452 921) facilite le transport de l'aspirateur. Des accessoires tels que des tubes d'aspiration peuvent être fixés à la barre (2.9) de la poignée.

En branchant un tuyau d'aspiration dans l'ouverture de sortie d'air (2.7), vous disposez d'air de soufflage.

4.1 Aspiration de matières sèches

Insérer toujours un sac filtre dans la cuve avant d'aspirer des matières sèches. Les matières aspirées sont alors faciles à éliminer.

Après l'aspiration de liquides, l'élément de filtre est humide.

Un élément de filtre humide s'encrasse plus rapidement lorsqu'on aspire des matières sèches. C'est pourquoi il faut sécher l'élément de filtre ou le remplacer par un élément sec avant d'aspirer des matières sèches.

4.2 Aspirations de liquides

Retirer le sac filtre avant d'aspirer des liquides. Nous recommandons l'utilisation d'un filtre à liquides spécial (référence 452 924).

Lorsque le niveau de remplissage maximum est atteint, les indicateurs de niveau (2.12) interrompent automatiquement l'aspiration.

⚠AVERTISSEMENT Il est interdit d'aspirer des liquides inflammables ! En cas de fuite de mousse ou de liquide, interrompez immédiatement le travail et videz la cuve (voir 5.4).

4.3 Le système Antistatic (AS)

L'aspiration provoque des charges statiques par frottement dans le tuyau d'aspiration. L'utilisateur peut les ressentir par des chocs électriques désagréables.

Pour décharger ces charges électrostatiques, l'aspirateur est équipé en série d'un système antistatique. Il est cependant nécessaire d'utiliser un tuyau antistatique.

4.4 Protection thermique

Afin de protéger l'appareil contre une surchauffe, une protection thermique coupe l'aspirateur avant que le moteur atteigne une température critique et laisse refroidir l'aspirateur environ 5 minutes. S'il ne se remet alors pas automatiquement en marche, il faut le confier à un atelier de service après-vente de Festool.

5 Manipulation

5.1 Ouverture/fermeture de l'aspirateur

- ouvrir les pinces de fermeture (2.2),
- pivoter la partie supérieure (2.4) vers le haut jusqu'à ce que le support (2.5) encliquette.

La fermeture s'effectue dans l'ordre inverse. Il faut soulever légèrement la partie supérieure avant de pouvoir enfoncer ou dégager le support.

5.2 Changement de filtre

⚠AVERTISSEMENT Lors des travaux suivants, veiller à ne pas soulever inutilement des tourbillons de poussières.

a) Changement du sac filtre

Référence: CT 22 E: 452 970

CT 33 E: 452 971

- ouvrir l'aspirateur,
- sortir le sac filtre (3.4) usagé: voir inscription sur le sac filtre,
- éliminer le sac usagé conformément aux dispositions légales,
- nettoyer soigneusement la cuve (2.10) et l'espace (3.1) de la turbine d'aspiration (essuyer avec un chiffon humide),
- insérer un nouveau sac filtre: voir inscription sur le sac filtre. **Important:** enfoncer fortement le manchon de sac filtre (3.3) sur la bouche d'aspiration (3.2) !
- fermer l'aspirateur.

b) Changement de l'élément de filtre

Référence: 452 923

- ouvrir l'aspirateur,
- démonter l'élément de filtre (2.3) usagé: voir inscription sur l'emballage de l'élément de filtre,
- éliminer l'élément de filtre en l'enfermant dans un sac hermétiquement fermé conformément aux dispositions légales,
- nettoyer soigneusement la cuve (2.10) et l'espace (3.1) de la turbine d'aspiration (essuyer avec un chiffon humide),
- monter un nouvel élément de filtre usagé: voir inscription sur l'emballage de l'élément de filtre,
- fermer l'aspirateur.

5.3 Nettoyage de l'élément de filtre

Pour nettoyer cet élément, actionner la poignée (2.1) environ 10 fois vers l'avant et l'arrière.

Remarque: le nettoyage de l'élément de filtre est uniquement nécessaire si l'aspirateur est utilisé sans sac filtre.

5.4 Vidange de la cuve (2.10)

⚠MISE EN GARDE Il faut toujours retirer la partie supérieure de l'aspirateur avant de vidanger la cuve!

- ouvrir l'aspirateur,

- soulever légèrement la partie supérieure, appuyer sur le support (2.5),
 - pivoter la partie supérieure vers le haut jusqu'en butée (position verticale),
 - retirer la partie supérieure horizontalement vers l'avant,
 - viser la cuve,
 - mettre la partie supérieure en place.
- ⚠MISE EN GARDE** Introduire les deux goujons de la partie supérieure complètement dans les évidements (1.10)!
- Fermer l'aspirateur.

6 Apres le travail

- Arrêter l'aspirateur et débrancher la fiche de la prise secteur.
- Enrouler le câble d'alimentation (2.6).
- Vider la cuve à saleté.
- nettoyer l'aspirateur à l'intérieur et à l'extérieur par aspiration et essuyage.
- Entreposer l'appareil dans un local sec, protégé contre une utilisation abusive.

7 Entretien

⚠AVERTISSEMENT Veillez à toujours débrancher votre appareil avant d'effectuer des travaux d'entretien!

Tous les travaux de maintenance et de réparation nécessitant une ouverture du boîtier moteur doivent être exécutés par un atelier de S.A.V. agréé.

Un contrôle technique de sécurité doit être effectué au moins une fois par an par le fabricant ou une personne formée, qui vérifiera par exemple une éventuelle détérioration du filtre, l'étanchéité de l'appareil et le bon fonctionnement des équipements de contrôle.

8 Accessoires, filtre

Les références des accessoires et filtre figurent dans le catalogue Festool ou sur Internet sous „www.festool.com“.

9 Garantie

Conditions de la garantie (1+2 ans)

Vous avez droit à une prolongation de garantie gratuite (1 an + 2 ans = 3 ans) sur votre outil électrique Festool. Festool assumera tous les coûts d'expédition pendant la première année de la garantie alors que les deuxième et troisième années, les coûts devront être assumés par le client. Festool paiera les frais de retour de l'outil au client par service de livraison terrestre UPS. La garantie est valable pour une période de 3 ans à compter de la date d'achat indiquée sur votre reçu ou votre facture.

Garantie limitée de Festool

Cette garantie est valable à condition que l'outil soit utilisé conformément aux instructions de Festool. Festool garantit, à l'acheteur initial seulement, que l'outil indiqué sera exempt de tout défaut de matériau et de fabrication pendant un an à compter de la date d'achat. Festool ne donne aucune garantie supplémentaire, implicite ou explicite, sur les instruments portables électriques Festool. Aucun agent, représentant commercial, distributeur, vendeur ou employé de Festool n'est autorisé à prolonger ou à modifier les obligations ou restrictions de la présente garantie. Les obligations de Festool sont, à son entière discrétion, limitées à la réparation ou à l'échange des outils portables électriques Festool trouvés défectueux dans le présent emballage, tels que fournis avec le présent Guide d'utilisation.

Cette garantie exclut l'usure normale, les dommages causés par un usage impropre, les abus ou la négligence, ou tout dommage autre que ceux attribuables à des défauts de matériau et de fabrication. Cette garantie ne s'applique pas aux accessoires tels que lames de scie circulaire, mèches de perceuse et vilebrequin, lames de scie sauteuse, bandes abrasives et meules. Sont également exclues les pièces d'usure, telles que balais de charbon, lamelles pour outils à air comprimé, joints et manchons

de caoutchouc, disques et patins ponceurs, ainsi que les piles.

Les outils électriques portables Festool à remplacer ou à réparer doivent être retournés avec le reçu d'achat à Festool (appelez au 800-554-8741 pour connaître l'adresse d'expédition).

FESTOOL N'EST EN AUCUN CAS RESPONSABLE DES DOMMAGES DIRECTS OU INDIRECTS, IMPLICITES OU EXPLICITES, DÉCOULANT DE LA RUPTURE DE CETTE GARANTIE OU DE TOUTE AUTRE GARANTIE. TOUTES LES GARANTIES IMPLICITES, Y COMPRIS LES GARANTIES IMPLICITES DE QUALITÉ MARCHANDE ET D'ADÉQUATION À UN USAGE PARTICULIER, SONT LIMITÉES À UNE PÉRIODE DE TROIS ANS.

Certains états américains et certaines provinces canadiennes ne permettent pas la limitation des garanties implicites; il se pourrait donc que les limites indiquées ci-dessus ne s'appliquent pas dans votre cas. À l'exception de certaines garanties implicites des provinces ou des états indiquées ici, la présente garantie est exclusive et remplace toute autre garantie, convention et obligation similaire de Festool.

Cette garantie vous confère des droits légaux spécifiques, et vous pouvez aussi avoir d'autres droits pouvant varier d'un état à l'autre, ou d'une province à l'autre au Canada.

INSTRUCCIONES IMPORTANTES DE SEGURIDAD

LEA TODAS LAS INSTRUCCIONES ANTES DE USAR ESTE APARATO.

⚠ADVERTENCIA Para reducir el riesgo de fuego, descarga eléctrica, o lesión:

- 1 No deje el aparato enchufado.** Desenchufe de la toma de corriente cuando no esté en uso y antes de darle servicio.
- 2 No lo exponga a la lluvia para reducir el riesgo de una descarga eléctrica.** Conserve en el interior.
- 3 No permita que se use como juguete.** Se requiere de mucho cuidado y atención cuando se usa por o cerca de niños o animales.
- 4 Use sólo de acuerdo con las instrucciones en este manual.** Use sólo accesorios recomendados por el fabricante.
- 5 No usar con el cable o el enchufe dañado.** Si el aparato no funciona como debería, si se ha caído, dañado, dejado afuera o caído al agua, devuélvalo a uno de los centros de servicio.
- 6 No lo transporte o tire por del cable, no use el cable como mango, no cierre una puerta sobre el cable ni pase el cable por esquinas o filos agudos.** No pase el aparato por encima del cable. Mantenga el cable alejado de superficies calientes.
- 7 No desenchufe tirando del cable.** Para desenchufar, sujete el enchufe, no el cable.
- 8 No maneje el enchufe o el aparato con las manos húmedas.**
- 9 No coloque ningún objeto en las aperturas.** No lo use con alguna apertura bloqueada; manténgalo limpio de polvo, hilachos, pelos y cualquier cosa que pudiera reducir el paso del aire.
- 10 Mantenga el pelo, ropa suelta, los dedos y todas las partes del cuerpo alejados de las aperturas y del alcance de las partes móviles.**
- 11 Apague todos los controles antes de desenchufar.**
- 12 Preste especial atención cuando esté limpiando escaleras.**
- 13 No lo utilice para recoger líquidos inflamables o combustibles** como gasolina ni lo use en áreas donde puedan estar presentes.
- 14 Solo conéctelo a un toma corrientes correctamente conectado a tierra.** Véanse las instrucciones de conexión a tierra.
- 15 No recoja nada que se esté quemando o esté echando humo como cigarrillos, cerillas, o ceniza caliente.** No aspire polvos inflamables o explosivos (como magnesio, aluminio, etc.) ¡Peligro de explosión!

16 No usar sin la bolsa y/o filtro de polvo en su lugar.

17 No succione / aspire líquidos agresivos (como ácidos, líquidos alcalinos, solventes, etc.).

18 Proteja al cable contra el calor, aceite y cantos agudos.

19 Cheque regularmente el enchufe y el cable, y, en el caso de que se detecte algún daño, que un experto lo reemplace si está dañado.

20 No levante ni transporte el aparato por los mangos usando una grúa o de un aparato elevador.

21 Sólo use los accesorios autorizados por Festool (ver el catálogo Festool).

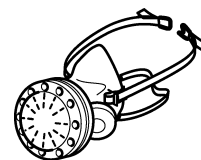
⚠ADVERTENCIA

Algunos polvos creados por lijadoras mecánicas, aserraderos, trituradores, perforadoras y otras actividades de construcción contienen sustancias químicas que se sabe (en el Estado de California) causan cáncer, defectos de nacimiento u otros daños al sistema reproductivo. Algunos ejemplos de estas sustancias químicas son:

- Plomo de las pinturas con base de plomo
- Sílice cristalino de los ladrillos y cemento y otros productos de mampostería, y
- Arsénico y cromo de madera tratada con sustancias químicas

El riesgo de exposición a estas sustancias varía, dependiendo de cuantas veces se hace este tipo de trabajo.

Para reducir el contacto con estas sustancias químicas: trabaje en un área con buena ventilación y trabaje con equipo de seguridad aprobado, como mascarillas para el polvo diseñadas específicamente



INSTRUCCIONES DE CONEXIÓN A TIERRA

Este aparato debe estar conectado a tierra. En caso de un funcionamiento incorrecto o avería, la conexión a tierra ofrece una vía de mínima resistencia para la corriente eléctrica que reduce el riesgo de una descarga eléctrica. Este aparato está equipado con un cable que cuenta con un conductor y un enchufe de conexión a tierra para el equipo. El enchufe debe ser introducido en un tomacorriente que esté correctamente instalado y conectado a tierra, de acuerdo con la normativa vigente.

⚠️ ADVERTENCIA La conexión incorrecta del conductor para conexión a tierra del equipo puede resultar en el riesgo de una descarga eléctrica. Verifíquelo con un electricista calificado o una persona de servicio si tiene dudas acerca de la conexión a tierra correcta del tomacorriente.

⚠️ ADVERTENCIA No modifique el enchufe suministrado con el aparato – en caso de no encajar en el tomacorriente, haga que un electricista calificado instale una toma de corriente apropiada.

⚠️ ADVERTENCIA Este aparato está clasificado para más de 15 amperios, está previsto para usarse con circuito con valor nominal de 120 voltios y viene provisto de fábrica con un cable y un enchufe específicos para permitir la conexión a un circuito eléctrico apropiado. Asegúrese de que el aparato esté conectado a un tomacorriente que cuente con la misma configuración que el enchufe. No debe utilizar ningún adaptador con este aparato. Si el aparato se tiene que conectar a un tipo de circuito eléctrico distinto, la conexión la deberá realizar una persona de servicio calificada.

CONSERVE ESTAS INSTRUCCIONES

1 Datos técnicos

Potencia absorbida	350 - 1,200 W
Potencia conectada la enchufe del aparato máx.	1,200 W
Potencia total conectada, máx. (aspirador y enchufe del aparato)	2,400 W
Caudal volumétrico (aire), máx., turbina	228 m ³ /h (8.2 cu.ft./h)
Depresión máx., turbina	23,000 Pa
Superficie filtrante	14,000 cm ² (2,170 sq.in.)
Tubo flexible de aspiración, diametro x longitud	27 mm x 3.5 m (1.06 in. x 11.48 ft.)
Dimensiones P x An x Al:	
CT 22 E	625 x 380 x 440 mm (24.6 x 15 x 17.3 in.)
CT 33 E	625 x 380 x 500 mm (24.6 x 15 x 19.7 in.)
Capacidad del depósito para recoger la suciedad:	
CT 22 E / CT 33 E	22 l (5.7 gal.) / 33 l (8.6 gal.)
Peso:	
CT 22 E / CT 33 E	12 kg (26.4 lbs) / 14.5 kg (32 lbs)
Longitud del cable de conexión a la red	7.5 m (24.6 ft.)
Clase de protección	IP X4

Las figuras indicadas se encuentran al principio de las instrucciones de servicio.

2 Uso conforme a lo predeterminado

Según lo predeterminado, los aspiradores son apropiados para la aspiración de polvos no perjudiciales para la salud, suciedad, arena, virutas, etc..

Además, los aspiradores son apropiados, según lo predeterminado, para la succión de agua.

Según las normas IEC 60335-1 y IEC 60335-2-69, los aspiradores son apropiados para una sollicitación elevada durante el uso en el sector industrial.

En el caso de un empleo de la máquina no conforme a la destinación, el usuario se responsabilizará de los daños consecuentes.

3 Preparación y puesta en servicio del aspirador

3.1 Conexión eléctrica

La tensión de servicio indicada en la placa de características del aspirador tiene que coincidir

con la tensión de la red de alimentación!

⚠️ ADVERTENCIA Al enchufar el cable de la alimentación de red se tiene que observar que el aspirador esté desconectado.

3.2 Interruptor de conexión/desconexión (1.8)

En la posición 0, el aspirador se encuentra desconectado y la caja de enchufe de la máquina (1.6) está sin corriente. Son posibles dos modos de servicio:

a) Posición del conmutador „MAN“:

El motor de aspiración se pone inmediatamente en marcha. La caja de enchufe de la máquina está sin corriente.

b) Posición del conmutador „Auto“:

La caja de enchufe de la máquina conduce corriente. El motor de aspiración se arranca al conectar la herramienta conectada.

⚠️ ADVERTENCIA Antes de girar el conmutador a la posición „Auto“ se tiene que observar que la máquina acoplada esté desconectada.

3.3 Regulador de la fuerza de aspiración (1.9)

Por medio del regulador de la fuerza de aspiración se puede variar la potencia de aspiración. De este modo es posible conseguir una adaptación precisa a las diversas funciones de aspiración y succión.

3.4 Conexión / acoplamiento de la herramienta eléctrica

¡Observar la potencia conectada máxima en la caja de enchufe de la máquina (ver bajo „Datos técnicos“)!

Conectar la herramienta eléctrica en la caja de enchufe de la máquina (1.6).

⚠ADVERTENCIA Aquí se tiene que observar, que al enchufar y desenchufar la herramienta eléctrica ésta esté desconectada.

3.5 Acoplamiento de una herramienta neumática

Mediante el montaje del módulo de aire comprimido (1.4, Núm. de pedido 452 829) el dispositivo de conexión automática del aspirador funciona también en combinación con herramientas neumáticas.

Adicionalmente recomendamos el montaje de la unidad de alimentación VE (Núm. de pedido 452 797). La unidad de alimentación se encarga de filtrar el aire comprimido y de añadir aceite al mismo y permite una regulación de la presión del aire.

Para la conexión o acoplamiento de las herramientas neumáticas Festool con el sistema IAS se pueda adquirir una pieza de conexión IAS (Núm. de pedido 454 757).

A fin de garantizar un funcionamiento perfecto del dispositivo de conexión automática, la presión de servicio de la herramienta tiene que ser de 6 bar.

⚠ADVERTENCIA ¡Aquí se tiene que observar que la herramienta neumática esté desconectada al realizar el acoplamiento y desacoplamiento!

4 Empleo

En la superficie de apoyo (1.3) se puede fijar un Systainer con los dos elementos de cierre (1.2). Asimismo, en la superficie de apoyo (superficie colocaobjetos) y en los compartimentos guarda-objetos (1.7, no en el CT 22 E) se pueden colocar y guardar herramientas o accesorios.

En la abertura (1.5) se puede meter un soporte para tubos flexibles (1.1, Núm. de pedido 487 072) . Como alternativa se puede fijar un gancho para mangueras (núm. de pedido 452 998) para así poder colgar la manguera

enrollada del aparato. Con ayuda de este soporte se aproxima el tubo flexible de aspiración por arriba a la herramienta.

Mediante los frenos de bloqueo (2.8) se pueden bloquear las ruedas, con lo que se evita un deslizamiento incontrolado del aspirador.

La empuñadura (2.11, Núm. de pedido 452 921) simplifica el transporte del aspirador. En la traviesa (2.9) de la empuñadura se pueden fijar accesorios como, p.ej., tubos de succión. Acoplando una manguera de aspiración en la boca de soplado (2.7) se puede disponer de aire de soplado.

4.1 Aspiración de materias secas

Antes de proceder a la aspiración de materias secas deberá encontrarse siempre incorporada en el depósito la bolsa filtrante. De este modo es más fácil eliminar ecológicamente el material aspirado.

El elemento filtrante está húmedo después de haber succionado líquidos. Un elemento filtrante húmedo se obtura con mayor rapidez, cuando se aspiran materiales secos. Por este motivo, el elemento filtrante deberá secarse antes de realizar una aspiración de materiales secos o deberá cambiarse por uno seco.

4.2 Succión de líquidos

Antes de proceder a la succión de líquidos se tiene que retirar siempre la bolsa filtrante. Se recomienda el empleo de un filtro húmedo especial (Núm. de pedido 452 924).

Al alcanzar el nivel máximo de llenado se interrumpe automáticamente la aspiración por los indicadores del nivel de llenado (2.12).

⚠ADVERTENCIA ¡No está permitido aspirar / succionar líquidos inflamables! Cuando se note que sale espuma o líquido, se deberá terminar inmediatamente el trabajo y vaciarse el depósito para recoger la suciedad (ver 5.4).

4.3 El sistema antiestático (AS)

Durante la aspiración se producen cargas estáticas en el tubo flexible de aspiración a causa de la fricción. Estas cargas estáticas pueden resultar desagradables en forma de descargas eléctricas para el operador de la máquina.

Para facilitar la descarga de estas cargas estáticas, el aspirador está equipado de serie con un sistema antiestático. Sin embargo, para ello resulta necesario emplear un tubo flexible antiestático.

4.4 Dispositivo protector contra sobretemperaturas

Como medida de protección contra un sobrecalentamiento, un dispositivo protector

contra sobretemperaturas desconecta el espirador antes de alcanzarse una temperatura crítica del motor ∩ esperar unos 5 minutos hasta que se enfríe el aspirador.

Si pasados estos 5 minutos éste no se conecta de nuevo automáticamente, recurrir al servicio de asistencia técnica Festool.

5 Manejo

5.1 Abrir / cerrar el aspirador

- Abrir las pinzas de cierre (2.2).
- Girar hacia arriba la parte superior del aspirador (2.4) hasta que enclave la pieza de apoyo (2.5).

El cierre se realiza procediendo análogamente pero a la inversa. A fin de presionar o desenclavar, respectivamente, la pieza de apoyo, antes se tiene que levantar ligeramente la parte superior.

5.2 Cambio de filtro

!ADVERTENCIA ¡Durante los trabajos expuestos a continuación se deberá observar que no se levante innecesariamente el polvo.

a) Cambiar la bolsa filtrante

Núm. de pedido: CT 22 E: 452 970
CT 33 E: 452 971

- Abrir el aspirador,
 - retirar la bolsa filtrante (3.4) usada: ver la impresión sobre la bolsa filtrante,
 - eliminar la bolsa filtrante usada conforme a las disposiciones ecológicas legales locales,
 - limpiar completamente el depósito para la suciedad (2.10) y el espacio (3.1) para la turbina de aspiración (frotar con un paño húmedo),
 - colocar una bolsa filtrante nueva: ver la impresión sobre la bolsa filtrante.
- Importante:** ¡Presionar fuertemente la boca de la bolsa filtrante (3.3) sobre la boca de entrada (3.2)!
- Cerrar el aspirador.

b) Cambiar el elemento filtrante

Núm. de pedido: 452 923

- Abrir el aspirador,
- desmontar el elemento filtrante (2.3) usado: ver la impresión sobre el embalaje del elemento filtrante,
- eliminar el elemento filtrante usado en una bolsa cerrada a prueba de polvo, a saber, conforme a las disposiciones ecológicas legales locales,
- limpiar completamente el depósito para recoger la suciedad (2.10) y el espacio (3.1)

para la turbina de aspiración (frotar con un paño húmedo),

- incorporar un elemento filtrante nuevo: ver la impresión sobre el embalaje del elemento filtrante,
- cerrar el aspirador.

5.3 Limpieza del elemento filtrante

Para la limpieza se tiene que mover el asa (2.1) unas 10 veces hacia delante y atrás.

Observación: La limpieza del elemento filtrante es solamente necesaria, cuando el aspirador es operado sin bolsa filtrante.

5.4 Vaciado del depósito para recoger la suciedad (2.10)

!PRECAUCION ¡Antes de vaciar el depósito para recoger la suciedad se tiene que desmontar siempre antes la parte superior del aspirador!

- Abrir el aspirador,
- levantar ligeramente la parte superior, presionar la pieza de apoyo (2.5),
- girar la parte superior hacia arriba hasta el tope (posición vertical),
- desmontar la parte superior horizontalmente hacia delante,
- vaciar el depósito,
- colocar la parte superior. **!PRECAUCION** ¡Introducir completamente en las escotaduras (1.10) ambos pernos de la parte superior!
- Cerrar el aspirador.

6 Una vez terminado el trabajo

- Desconectar el aspirador y desenchufar de la caja de enchufe el enchufe de la red.
- Enrollar el cable de conexión (2.6).
- Vaciar el depósito para recoger la suciedad.
- Limpiar el interior y exterior del aspirador aspirándolo y frotándolo correspondientemente.
- Colocar el aspirador en una estancia seca, protegida contra un uso no autorizado.

7 Mantenimiento, cuidado y conservación

!ADVERTENCIA Antes de proceder al cualquier trabajo de mantenimiento, cuidado y conservación se tiene que desenchufar siempre el enchufe de red de la toma de corriente.

Todos los trabajos de mantenimiento y de reparación que hacen indispensable que se abra la caja del motor, sólo deben ser llevados a cabo por un taller autorizado de servicio de asistencia técnica.

Como mínimo una vez al año tiene que realizarse una prueba en razón de la seguridad, a saber, por la casa productora o por una persona correspondientemente instruida, por ejemplo, en cuanto a daños del filtro, hermeticidad del aparato y funcionamiento de los dispositivos de control.

8 Accesorios, filtros

Los números de pedido para los respectivos accesorios y filtros se encuentran en su catálogo Festool o en la dirección de Internet «www.festool.com».

9 Garantía

Condiciones de la Garantía 1 + 2

Usted tiene derecho a una garantía extendida gratuita (1 año + 2 años = 3 años) para su herramienta mecánica Festool. Festool se hará responsable por los gastos de envío durante el primer año de garantía. Durante el segundo y tercer año de garantía el cliente es responsable por el costo del envío de la herramienta a Festool. Festool pagará el embarque de regreso al cliente usando UPS Ground Service. Todo el servicio de garantía es válido por 3 años desde la fecha de la compra de acuerdo a la fecha de su recibo o factura de compra.

Garantía limitada de Festool

Esta garantía es válida con la condición previa de que la herramienta se usa y opera de conformidad con las instrucciones de operación de Festool. Festool garantiza, sólo al comprador original, que la herramienta especificada estará libre de defectos de fabricación y materiales durante un periodo de un año a partir de la fecha de compra. Festool no otorga otras garantías, ni explícitas ni implícitas para ninguna de las herramientas mecánicas portátiles Festool. Ningún agente, representante, distribuidor, comerciante o empleado de Festool está autorizado para extender o modificar de cualquier manera las obligaciones o limitaciones de esta garantía. Las obligaciones de Festool, a su propia entera discreción, están limitadas a la reparación o sustitución de cualquier herramienta portátil Festool que se encuentre estar defectuosa en

el momento de ser embalada junto con el manual de usuario.

Quedan excluidos de la cobertura en esta garantía: el desgaste normal; los daños causados por uso indebido, el abuso o negligencia; los daños causados por cualquier otra causa que no sean defectos del material o de la fabricación. Esta garantía no aplica a accesorios como cuchillas de sierras circulares, brocas de taladro, barrenas de buriladora, cuchillas de sierra, cuchillas para sierras de calado, correas de lijadoras y ruedas de esmeril. También se excluyen las "partes que se desgastan" como cepillos de carbón, laminillas de herramientas de aire, collarines de hule y sellos, discos y cojines de lijado, y baterías.

Las herramientas mecánicas portátiles Festool que requieran de reemplazo o reparación deben devolverse con el recibo de compra a Festool (llame al 800-554-8741 para los detalles de la dirección).

EN NINGÚN CASO FESTOOL SE HARÁ RESPONSABLE POR LOS DAÑOS SECUNDARIOS O CONSECUENTES OCASIONADOS POR LA VIOLACIÓN DE ESTA O CUALQUIER OTRA GARANTÍA, SEA EXPLÍCITA O IMPLÍCITA. TODAS LAS GARANTÍAS IMPLICADAS POR LEYES ESTATALES, INCLUYENDO LAS GARANTÍAS IMPLICADAS DE COMERCIALIZACIÓN Y ADECUACIÓN A UN PROPÓSITO PARTICULAR, QUEDAN LIMITADAS A TRES AÑOS DE DURACIÓN.

Algunos estados de EE.UU. y algunas provincias de Canadá no permiten las limitaciones en cuanto a la duración de las garantías implícitas, de modo que la limitación arriba indicada puede que no le afecte. A excepción de algunas garantías implicadas por leyes estatales o provinciales, limitadas por la presente, la anteriormente citada garantía, expresamente limitada, es exclusiva y sustituye a cualquier otra garantía, acuerdo u obligación similar de Festool.

Esta garantía le concede derechos legales específicos y usted podría tener otros derechos legales que varían de estado a estado en EE.UU. y de provincia a provincia en Canadá.