



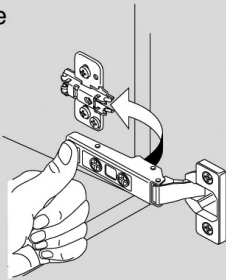
## Blumotion Hinges

Product #152739, 152740, 152741, 152742, 152743, 152744

### Euro hinge attachment and adjustment

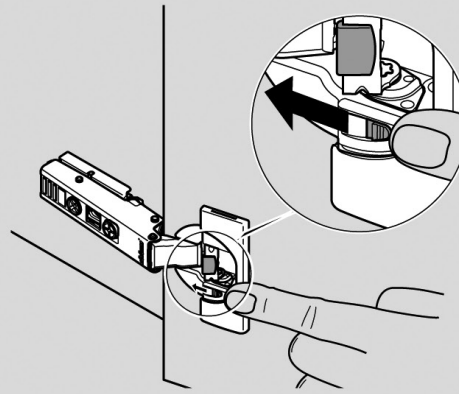
#### Door installation

To install, place the hinge on the mounting plate and push the back of the hinge arm down with finger pressure. The "click" sound confirms a secure attachment.



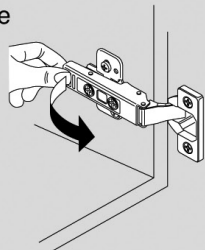
#### CLIP top BLUMOTION deactivation

For small or light doors, the BLUMOTION can be deactivated on one of the hinges. Door must be closed once for the deactivation to be complete. To reactivate, move switch back to the original position.

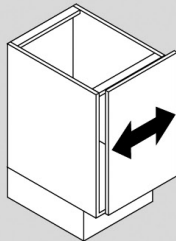


#### Door removal

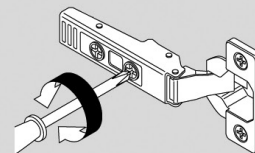
Release the lever under the hinge arm to remove.



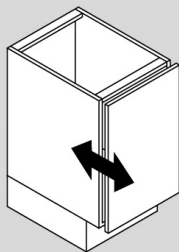
#### Side adjustment



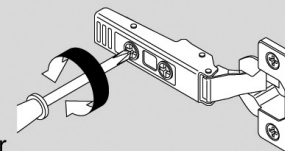
Rotate the front screw to increase or decrease the door overlay (+/- 2 mm).



#### Depth adjustment



Rotate the rear spiral tech cam screw to adjust the door position (+ 3/- 2 mm).



For CLIP hinges, loosen the rear screws on all hinges, adjust and retighten.



## Blumotion Hinges

Product #152739, 152740, 152741, 152742, 152743, 152744

### CLIP mounting plate adjustments

#### Height adjustment

##### Cam wing mounting plate

		Rotate cam screw on the mounting plate to adjust door position (+/- 2 mm).	
--	--	--	--

##### One-piece wing plate

		Loosen screws on the mounting plate. Adjust door to position and tighten screws (+/- 3 mm).	
--	--	---	--

##### Cam in-line mounting plate

		Rotate cam screw on the mounting plate to adjust door position (+/- 2 mm).	
--	--	--	--

##### Face frame cam adapter plate

		Rotate cam screw on the mounting plate to adjust door position (+/- 2 mm).	
--	--	--	--

##### Face frame adapter plate

		Loosen screws on the mounting plate. Adjust door to position and tighten screws (+/- 2 mm).	
--	--	---	--



**Blumotion Hinges**

Product #152739, 152740, 152741, 152742, 152743, 152744

**CLIP top BLUMOTION 110° hinges**

Product
CLIP top BLUMOTION
Information

**Application**



**Description**

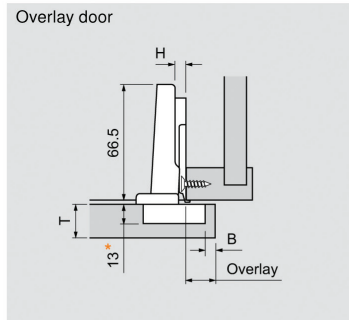
- BLUMOTION integrated into the hinge cup
- Deactivation switch for small/light doors
- New geometry for door thicknesses up to 26 (1")
- New INSERTA design
- New boring distance range 3 — 7 mm
- Compatible with existing CLIP mounting plates and hinge arm cover caps

**Minimum reveal**

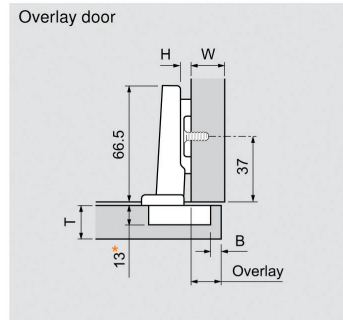
Minimum reveal table					
0.5	1.0	1.8	2.7	4.3	3
0.5	1.0	1.7	2.5	3.8	4
0.5	0.9	1.7	2.4	3.4	5
0.5	0.9	1.6	2.3	3.2	6
0.5	0.9	1.6	2.2	3.0	7
16	19	22	24	26	B
T Door thickness					B Bore

**NOTE:** For door thickness greater than 26 mm, trial application recommended

**Frame cabinet applications**



**Panel cabinet applications**

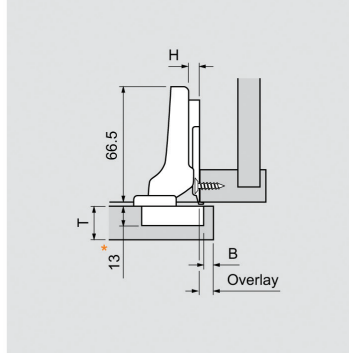


Straight-arm hinges		Self close
Screw-on		71B3550
Press-in	40	71B3580
EXPANDO		71B358E
INSERTA		71B3590

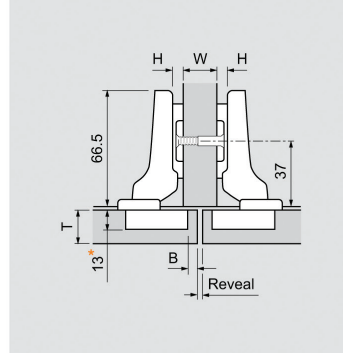
Overlay table											NOTE: 4.5 plate only available for face frame, 9 plate only available for panel cabinets
0	14	15	16	17	18	12	21.5				
3	11	12	13	14	15	15	24.5				
4.5	9.5	10.5	11.5	12.5	13.5	16.5	26				
6	8	9	10	11	12	18	27.5				
9	5	6	7	8	9	21	30.5				
H	3	4	5	6	7	P	S				
Plate	B	B	B	B	B	Clearances	Clearances				

11 fixed distance

**Partial overlay door**



**Twin overlay door**



Half-cranked hinges (9.5 mm)		Self close
Screw-on		71B3650
Press-in	40	71B3680
INSERTA		71B3690

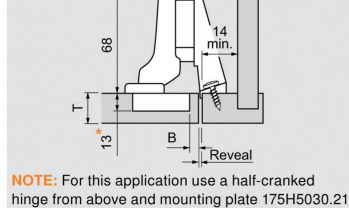
Overlay table										Partial overlay	
0	4.5	5.5	6.5	7.5	8.5	21.5	31				
H	3	4	5	6	7	P	S				
Plate	B	B	B	B	B	Clearances	Clearances				

1.5 fixed distance

Reveal table										Twin overlay	
0	7	5	3	1	-	16	21.5	31			
10	8	6	4	2	19	22	21.5	31			
13	11	9	7	5	22	22	21.5	31			
H	3	4	5	6	7	W	P	S			
Plate	B	B	B	B	B	Panel	Clearances	Clearances			

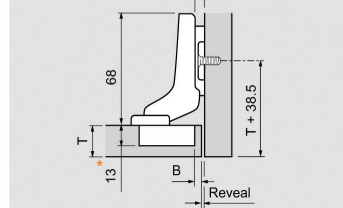
-7 fixed distance

**Inset door**



**NOTE:** For this application use a half-cranked hinge from above and mounting plate 175H5030.21

**Inset door**



Full-cranked hinges (18 mm)		Self close
Screw-on		71B3750
Press-in	40	71B3780
INSERTA		71B3790

Reveal table									
0	4	3	2	1	-	30	39.5		
H	3	4	5	6	7	P	S		
Plate	B	B	B	B	B	Clearances	Clearances		

-7 fixed distance

\* All 35 mm and 8 mm holes must be a minimum of 13 mm deep

Subject to technical modifications without notice. © 2010 LIT.HNG4101.03.10





**Blumotion Hinges**

Product #152739, 152740, 152741, 152742, 152743, 152744

**CLIP top BLUMOTION 110° hinges**



**Hinge cup centerpoint**

C Cup centerpoint				
20.5	21.5	22.5	23.5	24.5
13/16"	27/32"	29/32"	15/16"	31/32"
<b>3</b>	<b>4</b>	<b>5</b>	<b>6</b>	<b>7</b>
B Bore distance				

Cup centerpoint is the MINIPRESS or MINIDRILL fence depth position.

**Adjustments**

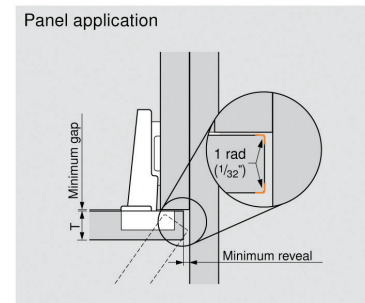
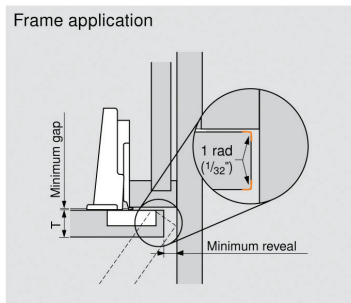
Side (±2 mm)      Height (±2 mm)      Depth (+3/-2 mm)

**New geometry for thick door applications**

Minimum reveals increase with door thickness. The following applications show common examples of necessary reveal and door gap for each door thickness.

The factory setting for the door gap (distance between the door and side panel/frame) is 1.5 mm. For full opening angle without contacting the side panel or frame, the gap behind the door and the minimum reveal must be adjusted according to the table below.

**NOTE:** All dimensions based on 1 mm door radius



3/4" thick door		
Minimum reveal	B Bore	Minimum gap behind door
1.0	<b>3</b>	1.5
1.0	<b>4</b>	1.5
.9	<b>5</b>	1.5
.9	<b>6</b>	1.5
.9	<b>7</b>	1.5

7/8" thick door		
Minimum reveal	B Bore	Minimum gap behind door
1.8	<b>3</b>	1.5
1.7	<b>4</b>	1.5
1.7	<b>5</b>	1.5
1.6	<b>6</b>	1.5
1.6	<b>7</b>	1.5

1" thick door		
Minimum reveal	B Bore	Minimum gap behind door*
4.3	<b>3</b>	1.5
3.8	<b>4</b>	1.5
3.4	<b>5</b>	2.2
3.2	<b>6</b>	3.2
3.0	<b>7</b>	4.2

\* Factory setting is 1.5, may require adjustment

**Knock-in tool and insertion ram**

Press-in hinges must be inserted with knock-in tool or insertion ram only.

Part no.

Knock-in tool	<b>ZME.0710</b>
Insertion ram	<b>MZM.0040</b>

**Hinge cup cover cap**

For use with CLIP top BLUMOTION hinges only. Suitable for screw-on, press-in and EXPANDO hinge cups.

Part no.

Nickel plated steel	<b>70T3504</b>
---------------------	----------------

**Angle restriction clip**

Restricts opening angle of the CLIP top BLUMOTION hinge to 86°. Angle restriction clip can be inserted after the hinge has been installed.

Part no.

Black nylon	<b>70T3553</b>
-------------	----------------

Subject to technical modifications without notice. © 2010

