

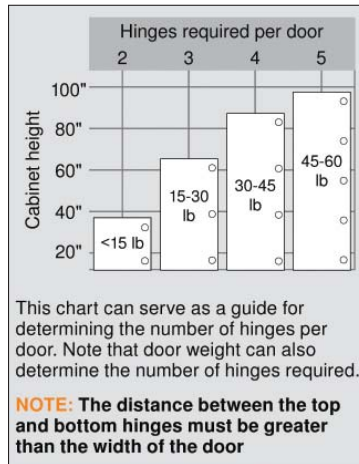


## Blum Compact Hinges with Blumotion

Product #154177, 154178, 154179, 154180, 154181

### Number of Hinges per Door

There is no general rule - this depends on the size and weight of the door(s). We can give you a rough guide for the more standard applications. In special cases (a door with a mirror), we suggest you conduct a trial for yourself.



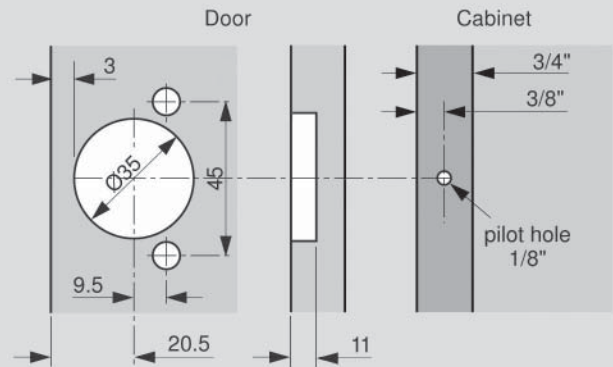
### Hinge Mounting Instructions

To insure proper operation of the installation, we suggest you make a sample and test the fit before actually boring the finished stock.

- Decide on the number of hinges you want to use and mark their centerline locations on the back of the door (see Figure 1 for 3/8", 1/2" and 3/4" hinge mounting, only. See Figure 2 for 1 1/4" and 1 3/8" hinges, only).
- Transfer the centerline to the edge of the face frame.
- Using a 35mm (1 3/8") Forstner bit, bore the mounting hole for the hinge cup to a depth shown in Figure 1 or 2. Be careful to maintain the required drilling distance at the edge of the door.
- Refer to the illustration (Figure 3) for the adjustment procedure.

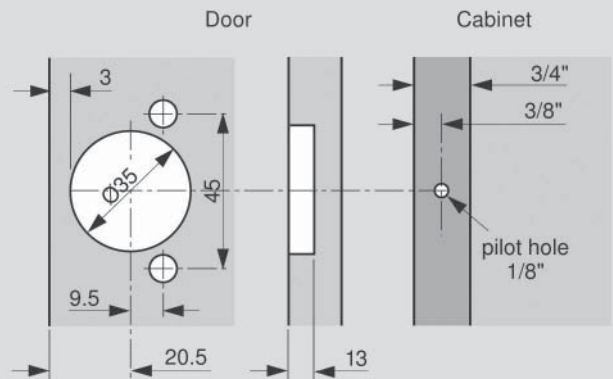
#### Boring pattern

Figure 1



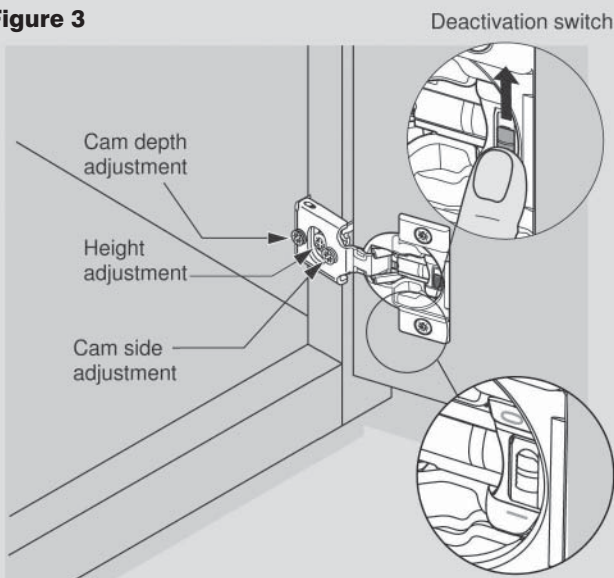
#### Boring pattern

Figure 2



#### Adjustment

Figure 3



NOTE: COMPACT BLUMOTION comes in the activated position, marked with a "I". The deactivated position is marked with a "0".