



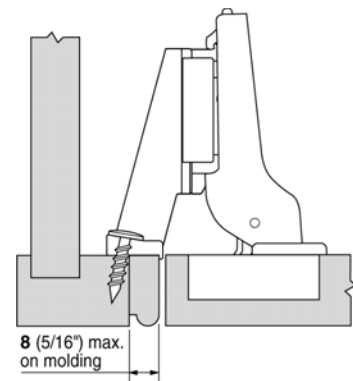
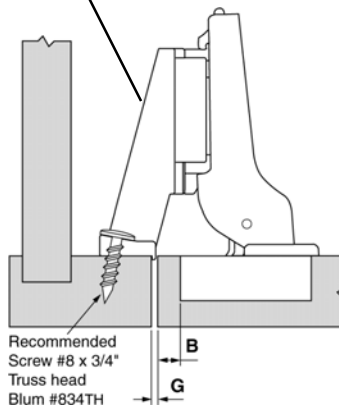
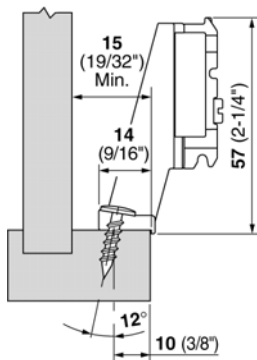
**BLUM CLIP Inset Face-Frame Application**

Product #142856



- For use with all half cranked CLIP
- 9mm height for inset (flush front) application
- Two-piece height adjusted mounting plate for inset doors
- Zinc die cast, nickel plated
- No build-up behind face-frame is necessary
- Can be used on frames with applied bead molding

Face frame adapter mounting plate

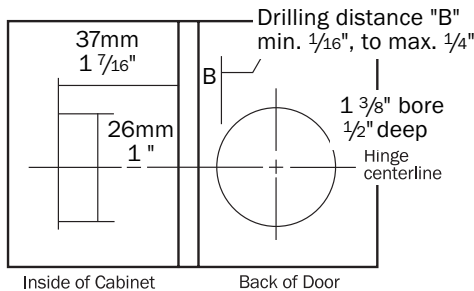


<b>Boring distance (B)</b>	<b>6 (1/4")</b>	<b>5 (3/16")</b>	<b>4 (5/32")</b>	<b>3 (1/8")</b>
<b>Door Gap (G)</b>	<b>1.6 (1/16")</b>	<b>2.6 (3/32")</b>	<b>3.6 (5/32")</b>	<b>4.6 (3/16")</b>

mm (inches)

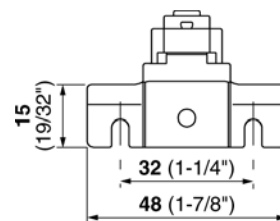
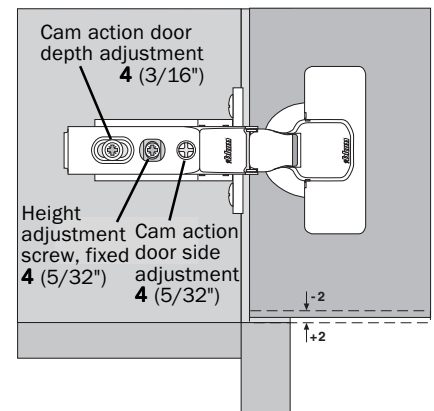
**Number of Hinges per Door**

There is no general rule. Obviously this depends on the size and weight of the door. We can give you a rough guide for the more standard applications. In special cases (a door with a mirror) we suggest you conduct a trial for yourself.



Note: Cam Action means that the door is adjusted by simply turning the adjustment screw,

**CLIP Top Hinge**



Dimensions in millimeters. Inch equivalents rounded to nearest 1/32". Subject to technical modifications without notice.