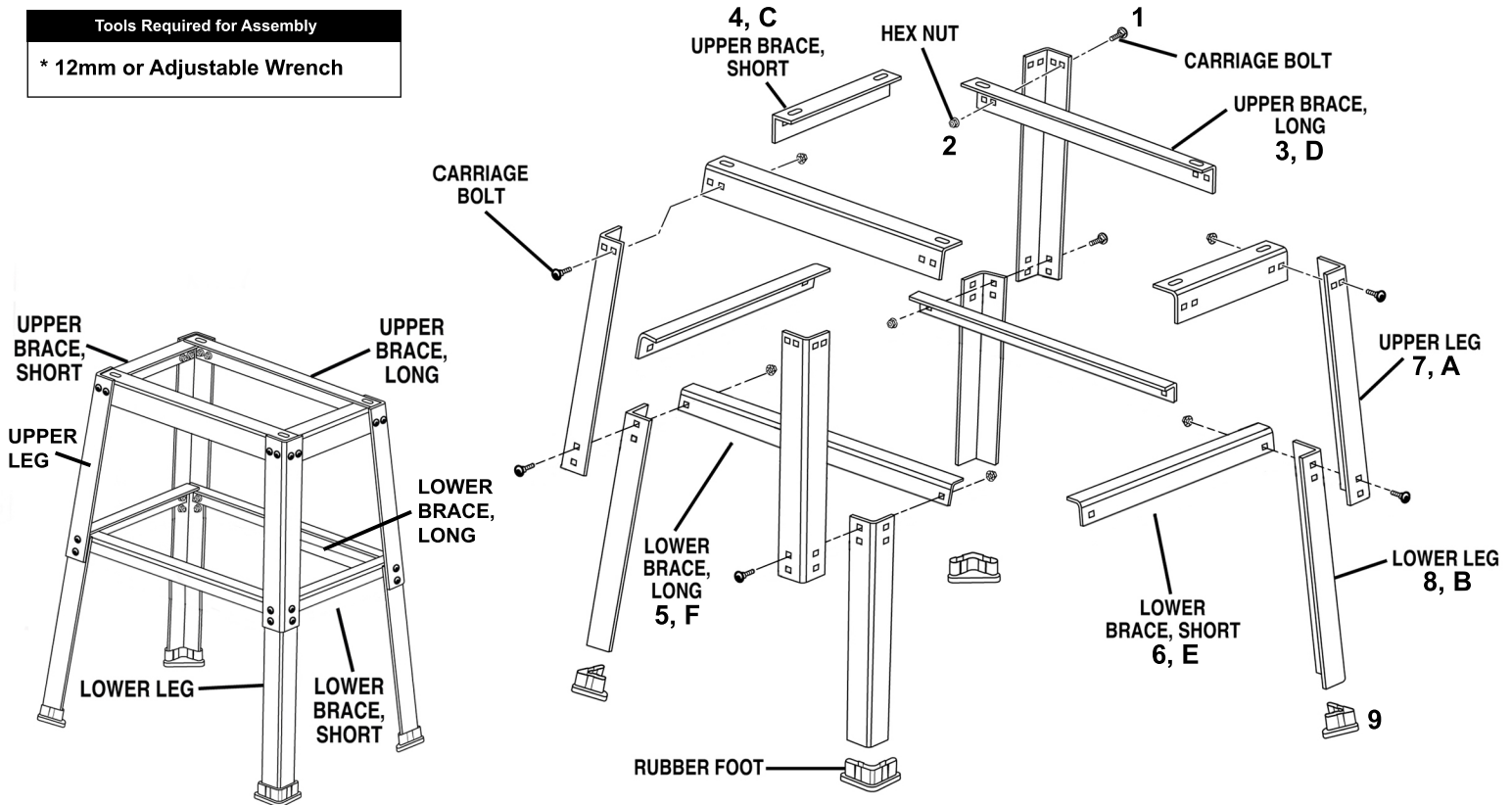


WORK STAND

Tools Required for Assembly

* 12mm or Adjustable Wrench



TO ASSEMBLE

Assemble the long sides of the stand first, then complete the stand by attaching the short ends to the long, assembled sides. **DO NOT FULLY TIGHTEN THE NUTS UNTIL THE WHOLE STAND IS COMPLETE, AND RESTING ON A FLAT SURFACE.**

1. Assemble the upper brace, long (Part #3, D), to the upper leg pieces (#7, A) with the carriage bolts (#1) and nuts (#2).
NOTE: The upper brace has a hole at each end. These two holes should be on top when the leg stand is completely assembled.
2. Assemble the lower legs (#8, B) and the lower brace, long (#5, F) to the upper legs. Align all three pieces and fasten together with the bolts and nuts.
3. This will complete one long side. Repeat the process for the other long side.
4. Assemble the upper brace, short (#4, C) to the assembled upper legs (#7, A). NOTE: The upper brace, short, has a hole at each end. These two holes should be on top when the leg stand is assembled, and align with the top holes in the upper brace, long (#3, D) for the mounting of machinery, or a top board.
5. Assemble the lower brace, short (#6, E) to the long side at the middle, upper leg and lower leg joint area.
6. This will complete one short side. Repeat the process for the other short side to fully assemble the stand.
7. Fit the rubber feet (#9) onto the ends of the lower legs.
8. Once all parts are in place, place the stand on a flat surface and then tighten all of the hex nuts.

KEY NO.	DESCRIPTION	QTY.	MFG. PART NO.
1	Carriage Bolt M8x1.25-16	32	P25-410-1
2	Flanged Hex Nut M8x1.25	32	P25-410-2
3	Upper Brace, Long (D)	2	P25-410-3
4	Upper Brace, Short (C)	2	P25-410-4
5	Lower Brace, Long (F)	2	P25-410-5
6	Lower Brace, Short (E)	2	P25-410-6
7	Upper Leg (A)	4	P25-410-7
8	Lower Leg (B)	4	P25-410-8
9	Rubber Foot	4	P25-410-9

WORK STAND

The **25-410 Work Stand** will hold portable planers, jointers, sanders and other small machinery. The addition of a plywood / wood table board (not included) may be required to be attached to the stand top to secure these machines in place, if their mounting holes do not align with the four pre-bored holes in the stand's top corners.

- Floor to Top of the Stand - 29-1/4"**
- Top Dimensions - 23" x 14"**
- Base Dimensions - 31" x 22"**

MOUNTING THE PLYWOOD / WOOD TO THE STAND

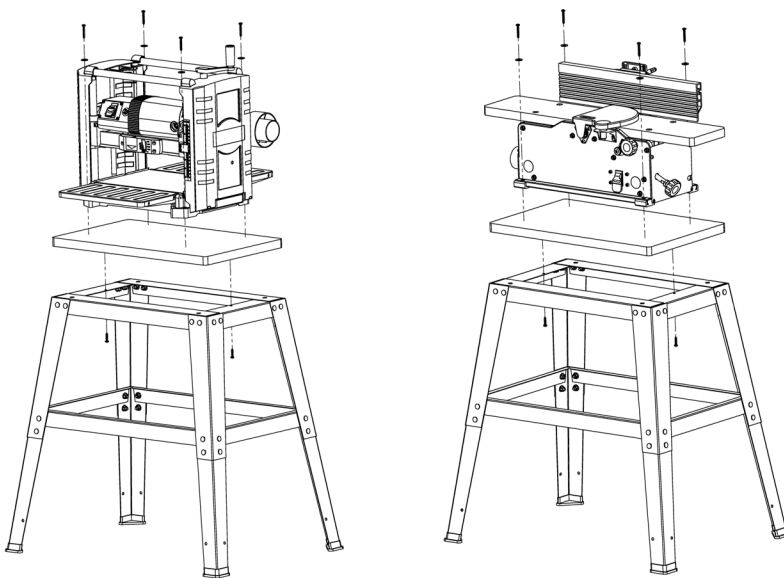
- If the mounting holes in your machine line up with the four pre-bored holes in the stand's four corners, the addition of a plywood / wood top is not necessary. Just use these holes to fasten the machine onto the stand with nuts and bolts.

NOTE: The RIKON 25-130H Planer will attach directly to the stand without the use of a board.

- If a board is required, cut a piece of 5/8" to 3/4" thick plywood or wood panel to the top dimensions of the stand (23" x 14") or a bit larger, per your preference.
- Place the wood onto the stand.
- Fasten the wood in place to the stand with screws or bolts (not included). Use the pre-bored holes in the stand's four corners, or bore new holes through the upper braces for added security.

MOUNTING MACHINERY TO THE STAND

- If the mounting holes in your machine line up with the four pre-bored holes in the stand's four corners, the addition of a plywood / wood top is not necessary. Just use these holes to fasten the machine onto the stand with nuts and bolts.
- Place the machinery onto the board, which has been previously secured to the stand.
- Position the machinery as you would like it on the stand, then fasten it in place with screws through the mounting holes in the machinery's base. If bolts are used, the board must be bored with holes to take the bolts. Then fasten the machine in place with bolts, washers and nuts (mounting hardware not included).



HARDWARE FOR MOUNTING MACHINERY	QTY.
Hex Head Bolts M6 x 1.0 x 70L	4
Flat Washers 6.3 x 19 x 2.0T	8
Flanged Hex Nut M6 x P1.0	4

⚠ WARNING ⚠

DO NOT attach any machinery to the stand until the stand is fully assembled, including the addition of a table board, if this is needed. DO NOT operate the machine until it is firmly attached to stand, or it will tip over and potentially cause harm to you, or the machine.