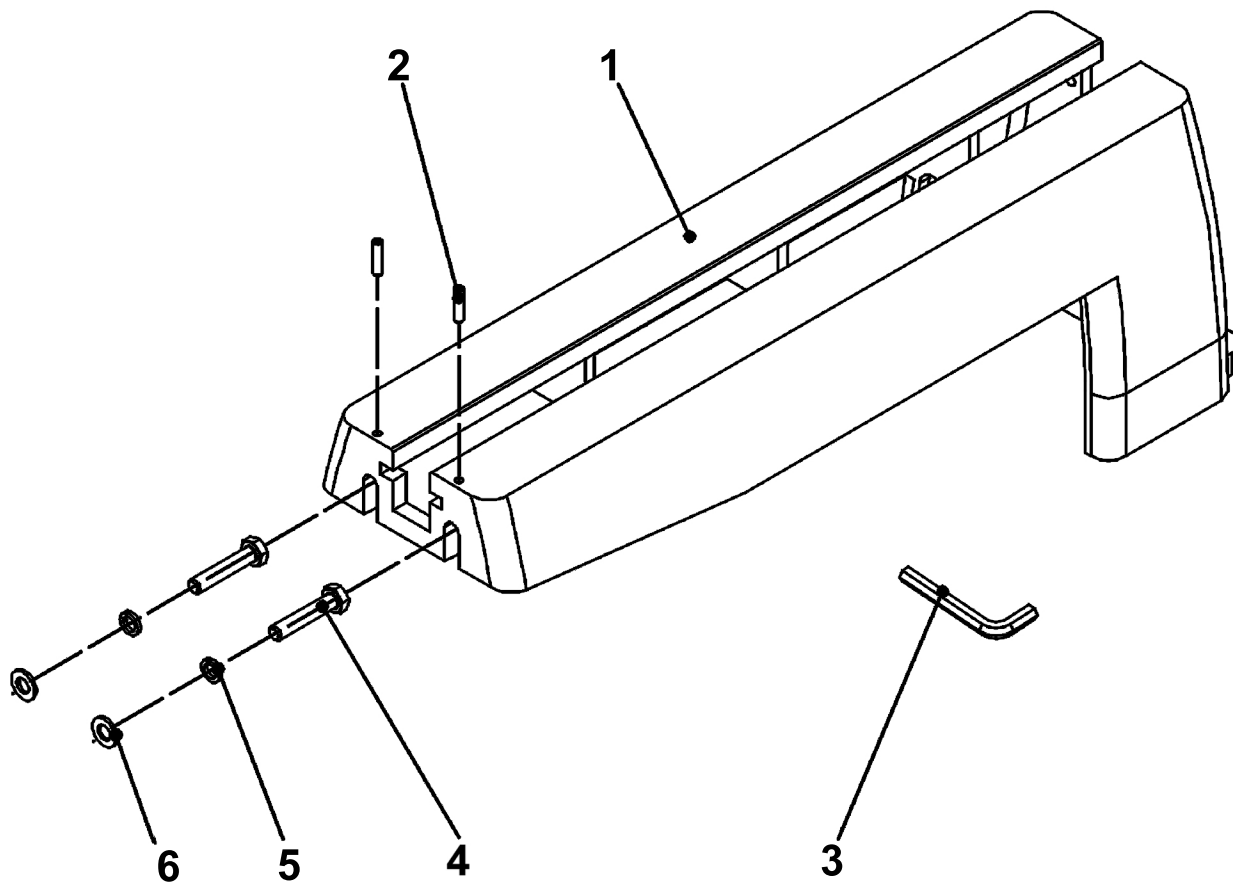


MIDI LATHE BED EXTENSION

For # 70-220VSR Lathe



| KEY NO. | DESCRIPTION | MFG. PART NO. |
|---------|-----------------------------|---------------|
| 1 | Lathe Bed Extension | P70-901-1 |
| 2 | Socket Head Cap Screw - 6mm | P70-901-2 |
| 3 | Socket Head Wrench - 6mm | P70-901-3 |
| 4 | Hexagon Bolt - M10 | P70-901-4 |
| 5 | Lock Washer - M10 | P70-901-5 |
| 6 | Flat Washer - M10 | P70-901-6 |

Tools Required for Assembly

* 17mm or Adjustable Wrench

To Install:

Thread the two bolts (Part #4) along with the two lock washers (Part #5) and two flat washers (Part #6) into the two holes at the end of the lathe. Lay the bed extension onto the two bolts. Hand tighten the two bolts and level the bed extension to the lathe bed by using a straight edge and the two 6MM hex screws (Part #2) set into the top of the bed casting.

Align the bed rails (Left or Right) by using a straight edge inside the bed channel. This ensures that the tailstock will float freely without jamming. Tighten the two bolts after the bed extension is level with the lathe.