

Click Pencil Kit

Product : #128960

8/28/2015



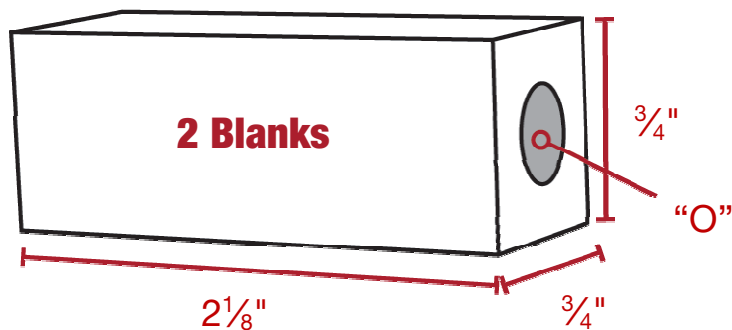
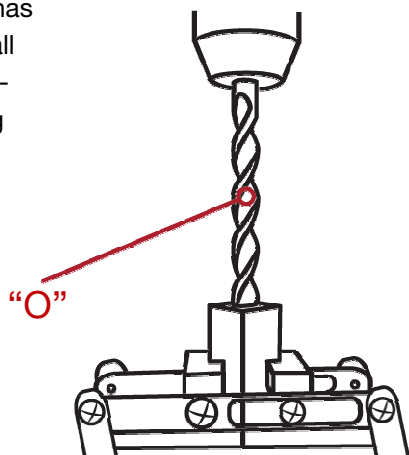
From Setup To Sanding:

These are the supplies we suggest you have on hand to complete this pencil kit:

- Letter "O" Pen Maker's Bit
- 2 - 3/4" x 3/4" x 2 1/8" Pen Blanks
- Pen Mandrel
- Click Style Bushings (127767)
- Thick CA or 5-Minute Epoxy
- Drill or Drill Press
- Sandpaper/Micro-Mesh
- Barrel Trimmer
- Pen Press
- Eye & Ear Protection
- Dust Mask

Cutting & Drilling Blanks:

Note: Additional length has been added to the overall length of the blank to accommodate for squaring the ends of the blank.

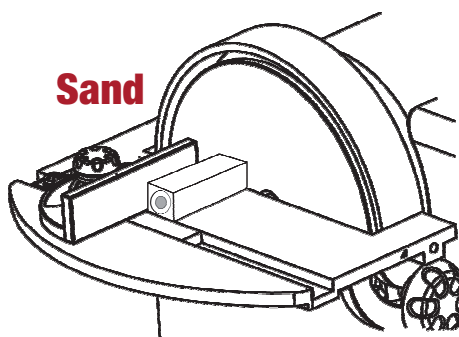


Gluing Blanks to Tubes:

Rough the entire surface of the tube using 180-grit paper. Next, using either a thick CA or 5-Minute Epoxy, apply adhesive to both the tube and the inside of the blank. To secure the brass tube into the inside of the blank make sure to rotate the tube as you insert it into the blank. This will help ensure even coverage of the adhesive and a much more secure bond.

Squaring the Blank to Length:

When squaring the blanks to length work only to the brass. Removing brass will affect the overall length of the blank which is critical to the proper operation of the pen.



Mandrel Preparation:



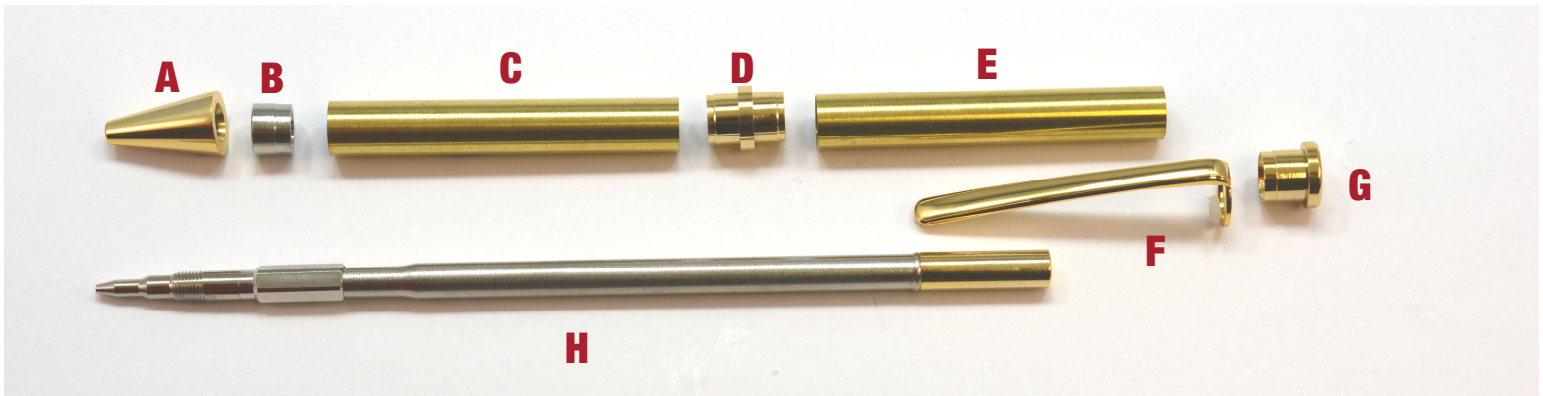
Turning & Finishing the Blanks:

Turn the blank to your desired profile, leaving the blank slightly proud of the bushings. With the lathe spinning, begin sanding with 120-grit paper, and progress through the finer grits finishing at 320-grit. Once finished with sanding apply a finish of your choice.

Click Pencil Kit

Product : #128960

8/28/2015



Pencil Assembly:

- Unthread Nib (A) from Pencil Mechanism (H) and set aside.
- Remove Bottom Bushing (B) from Pencil Mechanism (H) and set aside.
- Slide Clip Retainer (G) into the hole of the Clip (F) and press into one end of the finished Upper Barrel (E).
- Next press the Center Connector (D) into the opposite end of the finished Upper Barrel (E).
- Press the Bottom Bushing (B) lip end first into one end of the finished Lower Barrel (C).
- Join the two halves by pressing them together using the Center Connector (D) previously installed in the Upper Barrel (E).
- Install the Pencil Mechanism (H) by sliding it through the opening in the end of the Clip Retainer (G), until the threads are exposed through the Bottom Bushing (B).
- Thread Nib (A) onto the threads of the Pencil Mechanism (H) securing it in place.
- To advance the lead, press down on the Eraser Cover until the lead is extended. To retract the lead, press down on the Eraser Cover and gently push the lead back inside.