

Assembly Instruction - PRO-AS

A1-26pcs	A2-8pcs	B1-4pcs	B2-4pcs	B3-2pcs	B4-3pcs	C-4pcs	D1-4pcs	D2-4pcs	E-4pcs	F-1pcs	G-1pcs
10x40 mm	8x40 mm	5x100 mm	5x90 mm	4x40 mm	6x40 mm	M12x100	M12	M12	M12		

H-2pcs	2+2pcs				
Wedge for tool well		Attention:			
	Ø 19 mm				

Workbench is made from high quality beech wood guaranteeing maximum resistance and long service life of the bench.

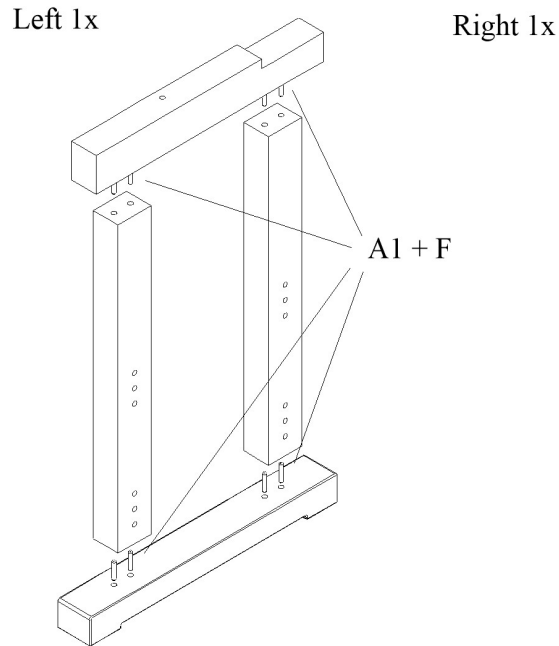
NOTICE:

- The bench must not be left in damp or humid conditions which will cause movement in the wood. **Recommended humidity level max. 60%.**
- If you bought workbench without surface treatment, we recommend you to finish the bench by colourless varnish or oil including the bottom of workbench. Varnish (oil) prevents absorption of surrounding moisture. **Don't forget to repeat surface treatment each 6 months**
- To increase the stability of your workbench we recommend you to bolt the bench to the floor.
- Each 6 months tighten all screws and bolts.

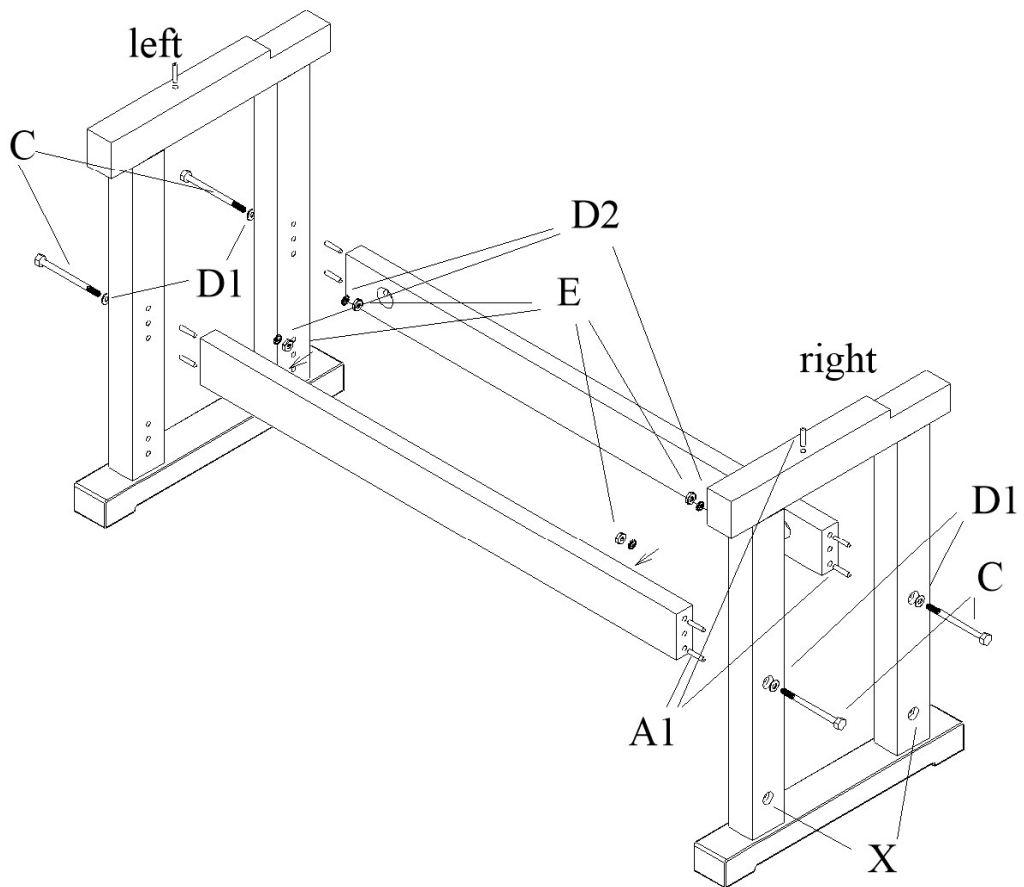


Parts	Packing 1	Packing 2	Date	
-------	-----------	-----------	------	--

1) Frame assembly



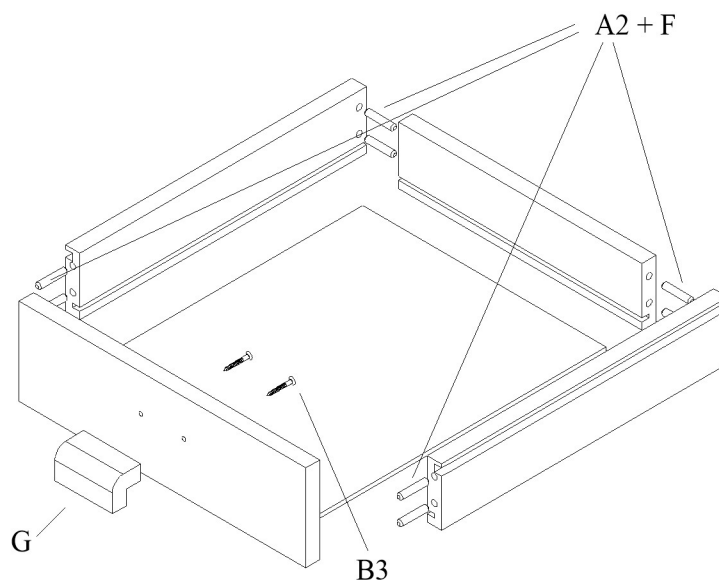
!!! HINT !!! - don't fill up holes for dowels by glue. Smear dowels by glue and insert them into the holes.



!!! HINT !!! - don't glue dowels for stretchers, you will not be able to use optional cupboard in future.

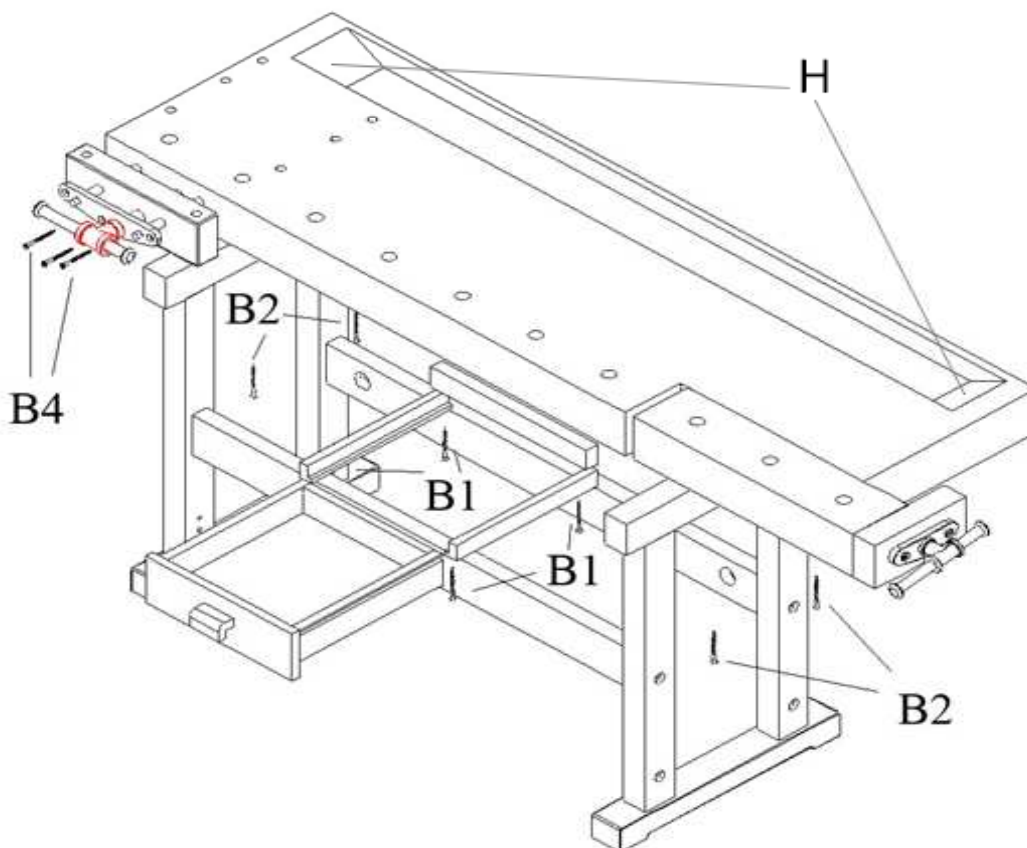
X = holes for stretchers if cupboard is used !!!!

2) Drawer assembly



!!! HINT !!! - don't fill up holes for dowels by glue. Smear dowels by glue and insert them into the holes.

3) Bench top and drawer attaching



Important! Wedges for tool well are supplied separately (part H). Producer recommends to add wedges after approx. 4 weeks. Workbench needs to adapt to surrounding conditions. In case of need adjust the size of wedges by size of tool well.