

## Model Number nomenclature

Example:

**DICE™ DS** (Only available in 1/2"): DIS21-MVII-1111144Z-OEC

**DICE™ DM** (Available in 1/2" & 1"): DIM21-MVII-1111144Z4-OEC

DI	S	2	1	-	M	V	I	I	-	#1	#2	#3	#4	#5	#6	#7	#8	#9	-	OEC
<b>Family</b>	<b>Configuration</b>	<b>Size (in)</b>	<b>Pressure</b>		<b>Block Material</b>	<b>Wetted Parts Material</b>	<b>O-ring Material</b>	<b>Diaph Material</b>		<b>Connections</b>										
DICE DI	DS S DM M	1/2 2 1 4	150 psi 1 250 psi 2		PVC V PMMA M PVDF D	PVC V CPVC C PVDF D	VITON I EPDM E	VITON I EPDM E		<b>Size 1/2"</b> Mushroom Nut Only 0 1/2" MNPT & Fits LMI Tubing Ferrule Adaptor 1 1/2" FNPT 2 1/2" Socket; For SCH 80 Rigid Piping 3 CAP 4 G5/8 & Fits Grundfos Tubing Ferrule Adaptor 5 Socket for 20mm OD Rigid Piping 6 Flare connector for 1/2" OD PFA Tubing 7 Isolator & Pressure Z  <b>Size 1"</b> Mushroom Nut Only 0 1" FNPT 2 1" Socket; For SCH 80 Rigid Piping 3 CAP 4 Socket for 32mm OD Rigid Piping 6 Isolator & Pressure Z  No Connector & No Mushroom Nut W										

Option

Other standard materials:





- Ball valve handle: ABS or HDPE plastic
- Ball valve Seat: Virgin PTFE
- Bolts, nuts, washers, set screws: 18-8 stainless steel






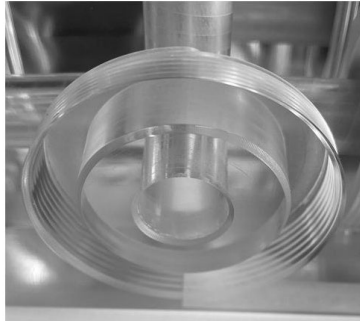
Note:

- Vented ball valves offered as an option.
- **Other materials can be supplied upon request.**
- Options will be listed at the end of the Model Number in the option section.

## Connectors

As per numbers in *Model Number Nomenclature*

<p>Mushroom Nut Only</p>  <p>Connector code: <b>0</b></p>	<p>1/2" MNPT &amp; Fits LMI Tubing Ferrule Adaptor</p>  <p><i>*LMI Ferrule Kit included; Refer to LMI tubing connection system information sheet</i></p> <p>Connector code: <b>1</b></p>
<p>FNPT</p>  <p>Connector code: <b>2</b></p>	<p>Socket for SCH 80 Rigid Piping</p>  <p>Connector code: <b>3</b></p>

<p>CAP</p>  <p>Connector code: <b>4</b></p>	<p>G5/8 &amp; Fits Grundfos Tubing Ferrule Adaptor</p>  <p><i>*Grundfos Ferrule Kit <u>not</u> included; sold separately</i></p> <p>Connector code: <b>5</b></p>
<p>Socket for Metric Rigid Piping</p>  <p>Connector code: <b>6</b></p>	<p>Flare connector for PFA Tubing</p>  <p><i>*Connection nut <u>not</u> included; sold separately</i></p> <p>Connector code: <b>7</b></p>
<p>Isolator &amp; Pressure Gauge</p>  <p>Connector code: <b>Z</b></p>	<p>No Connector &amp; No Mushroom Nut</p>  <p>Connector code: <b>W</b></p>