

# SPARROW TEE

---

SIZE 6 - 20

## 3 PATTERN PIECES

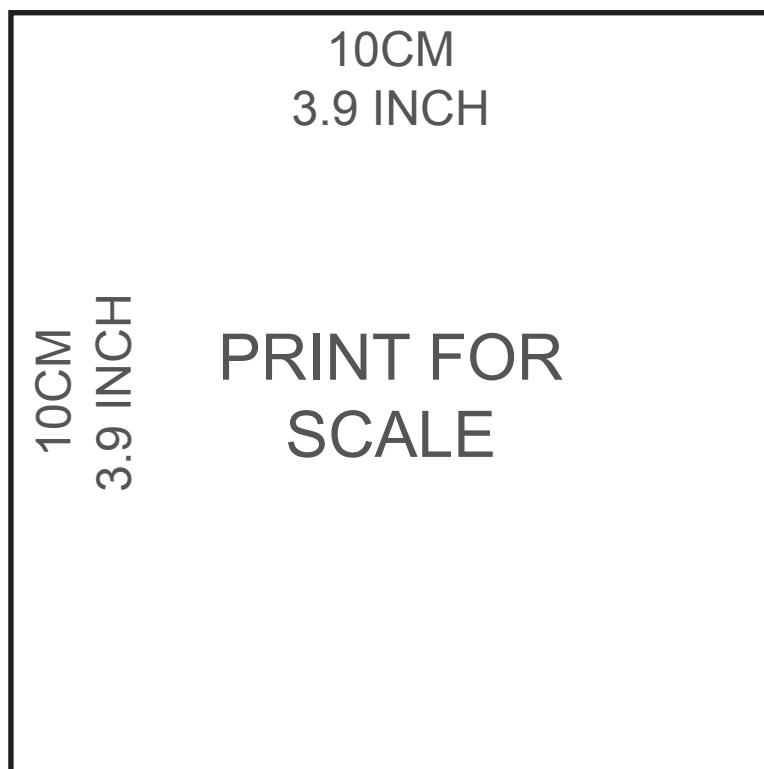
1 _TEE FRONT	CUT ONE ON FOLD
2 _TEE BACK	CUT ONE ON FOLD
3 _TEE SLEEVE	CUT ONE PAIR

### Note\*

There is no pattern peice for the neckline binding. For this you will need to cut a 4cm (1.6 inch) wide strip the length of your neckline. Cut with the fabric stretch going length ways.

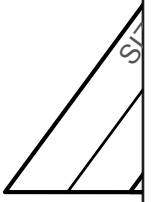
## REQUIRED NOTIONS

\_THREAD

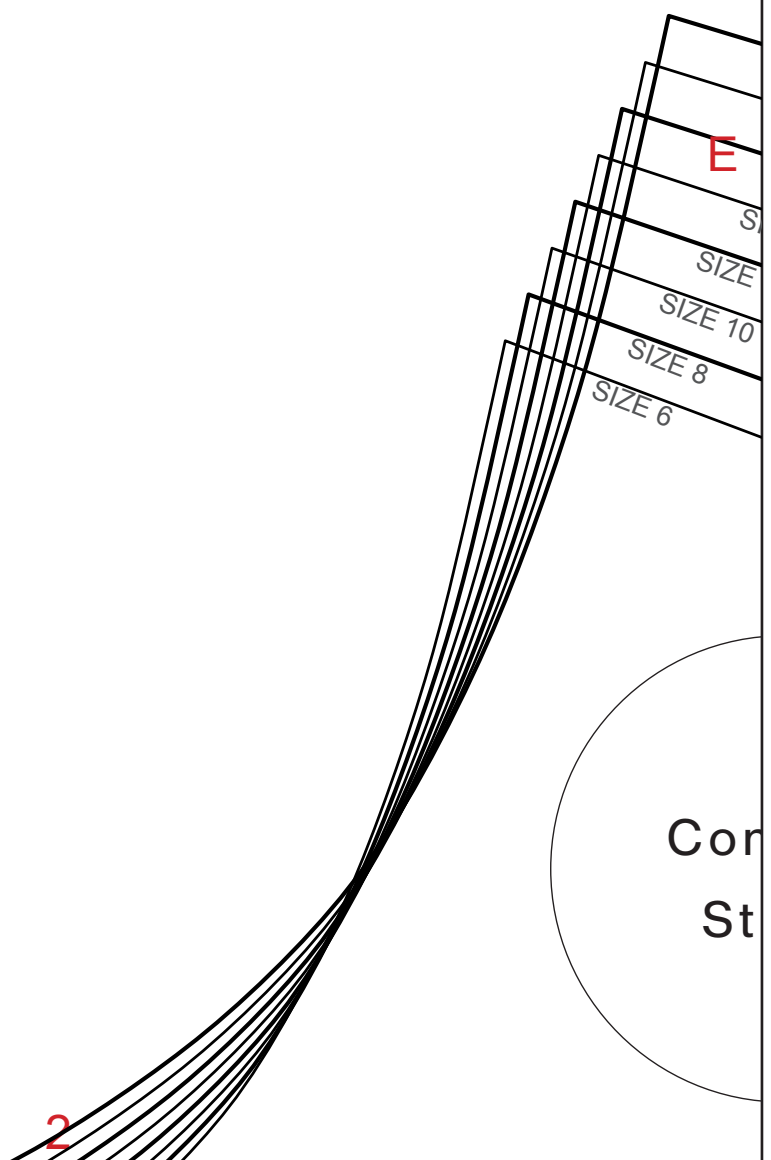


A

2



2



Con  
St

20  
18  
16  
14  
12  
10  
8  
6

2

# SPARROW TEE FRONT

CUT ONE ON FOLD

6mm SEAM ALLOWANCE  
(0.2 inch)

J



2

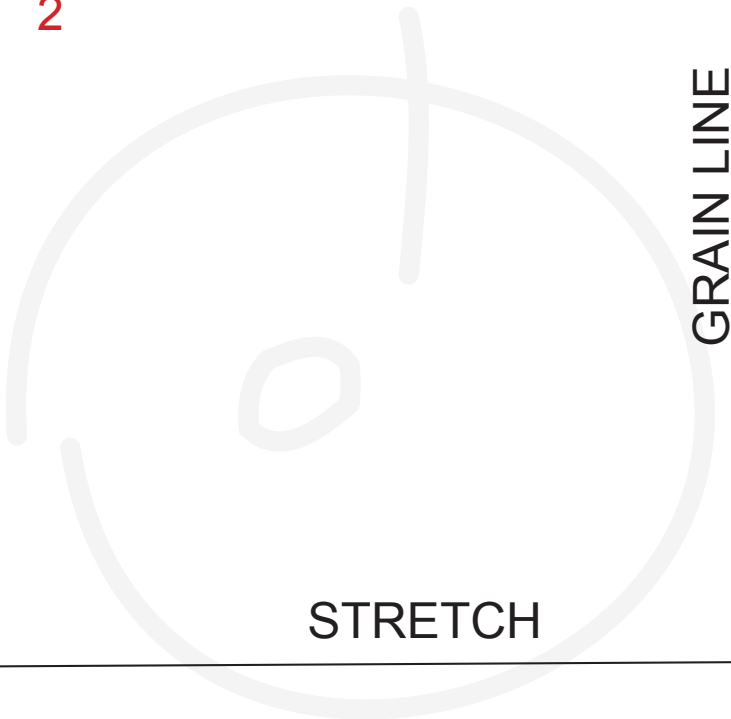
CENTRE FRONT



PLACE ON FOLD

2

2

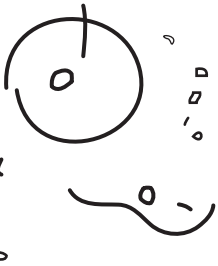


GRAIN LINE

STRETCH

2





common stitch.  
hand made in Australia

w: [www.commonstitch.com.au](http://www.commonstitch.com.au)  
e: [hello@commonstitch.com.au](mailto:hello@commonstitch.com.au)

 common\_stitch

3

A

B

# SPARROW TEE SLEEVE

CUT ONE PAIR

6mm SEAM ALLOWANCE  
(0.2 inch)

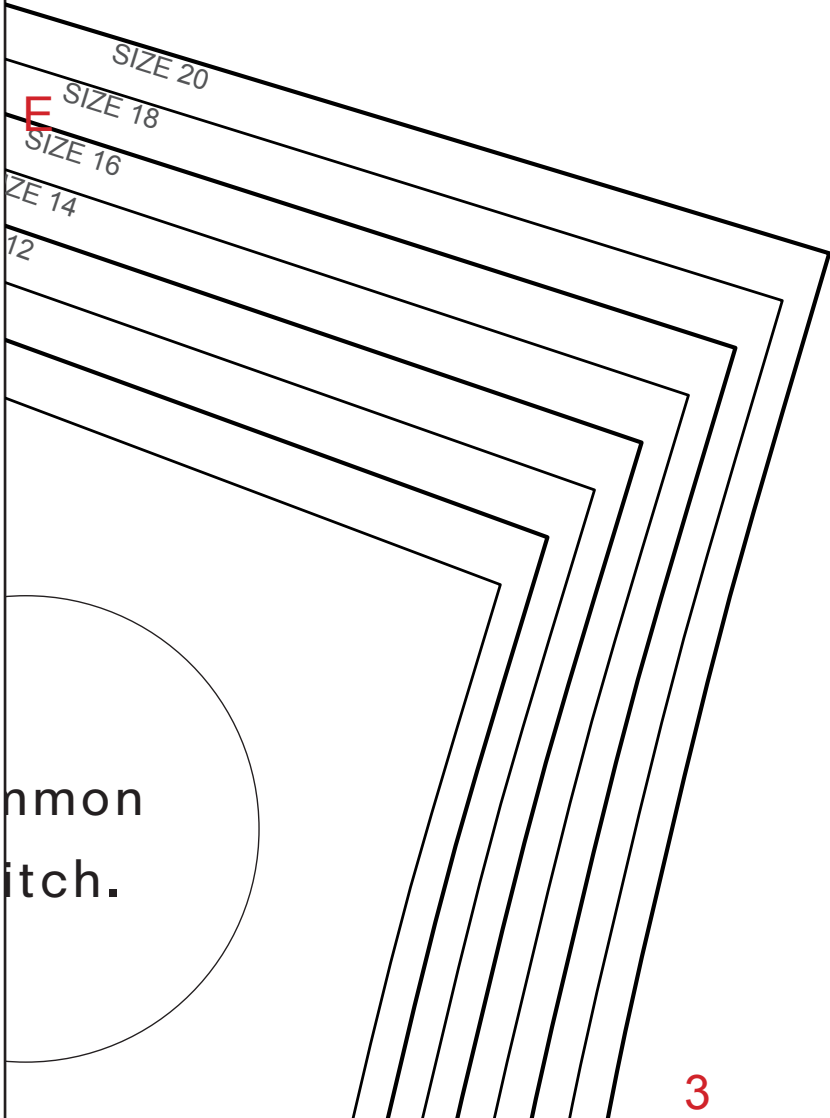
3

3



SIZE 20  
SIZE 18  
SIZE 16  
SIZE 14  
SIZE 12  
SIZE 10  
SIZE 8  
SIZE 6

3

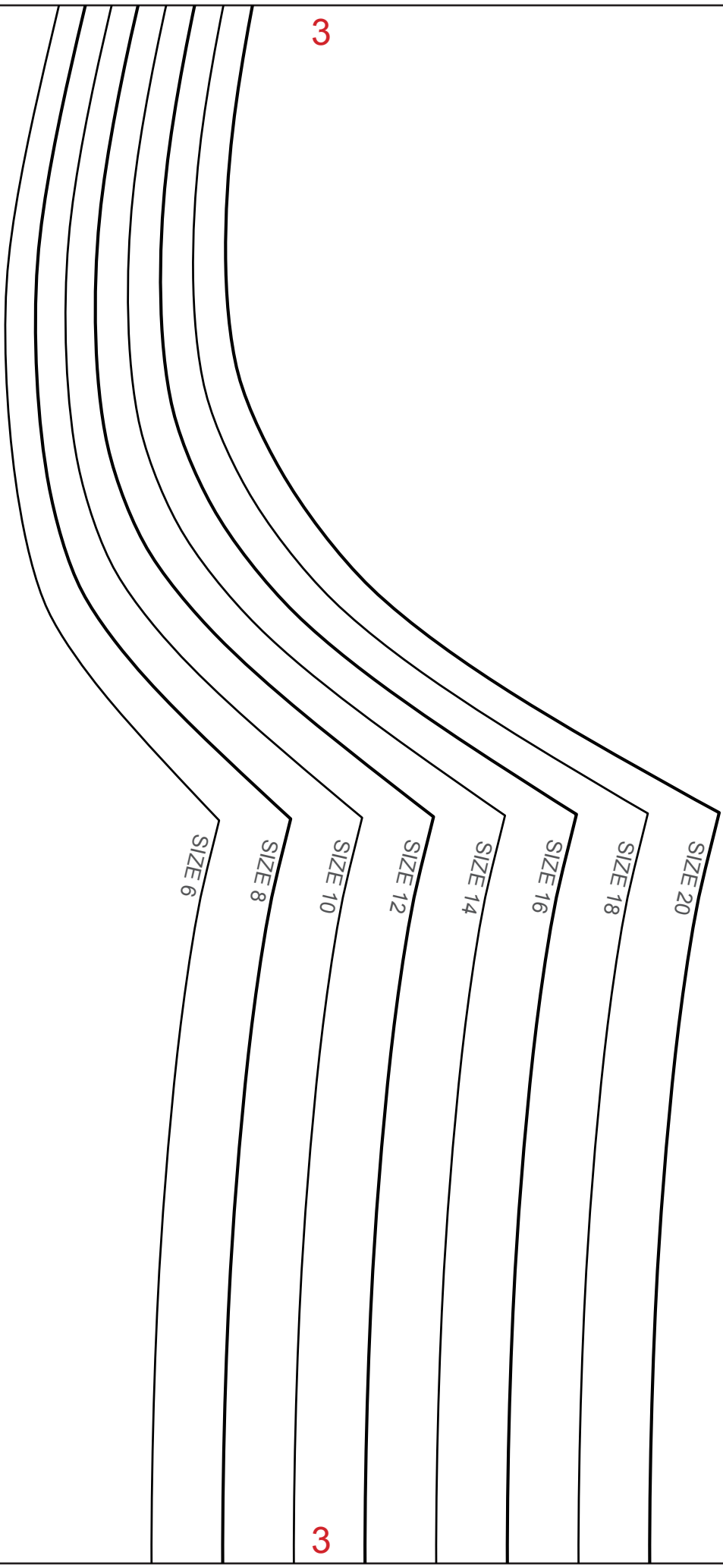


F

Common  
fit.

3

K





3

3

J





			3					
			3					O

SIZE 20

SIZE 18

SIZE 16

SIZE 14

SIZE 12

SIZE 10

3

SIZE 8

SIZE 6

S

R

4

SIZE 20

SIZE 18

SIZE 16

SIZE 14

SIZE 12

SIZE 10

SIZE 8

SIZE 6

B

C

GRAIN LINE

STRETCH

4



4

F

G

20
18
16
14
12
10
8
6

4

4

4

K



CH

PLAC

SP

L

PLEASE FOLD

ENTER BACK



4

4

O

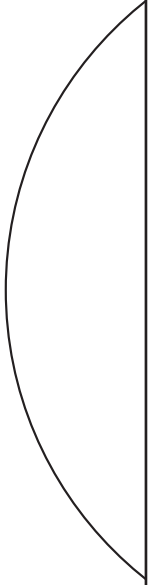
4

S

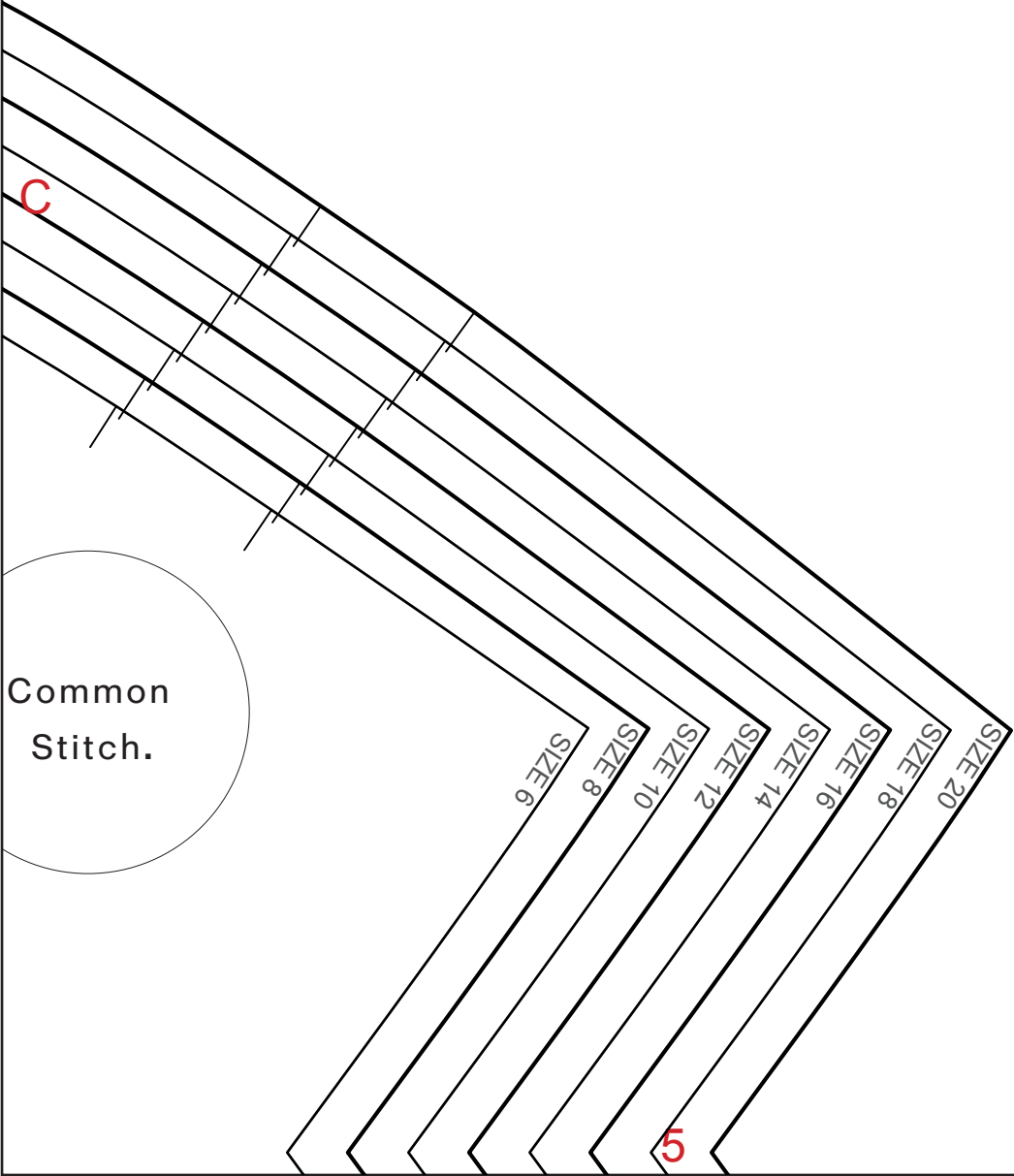
T

4

5



D



Common  
Stitch.

SIZE 6  
SIZE 8  
SIZE 10  
SIZE 12  
SIZE 14  
SIZE 16  
SIZE 18  
SIZE 20

5



5

G

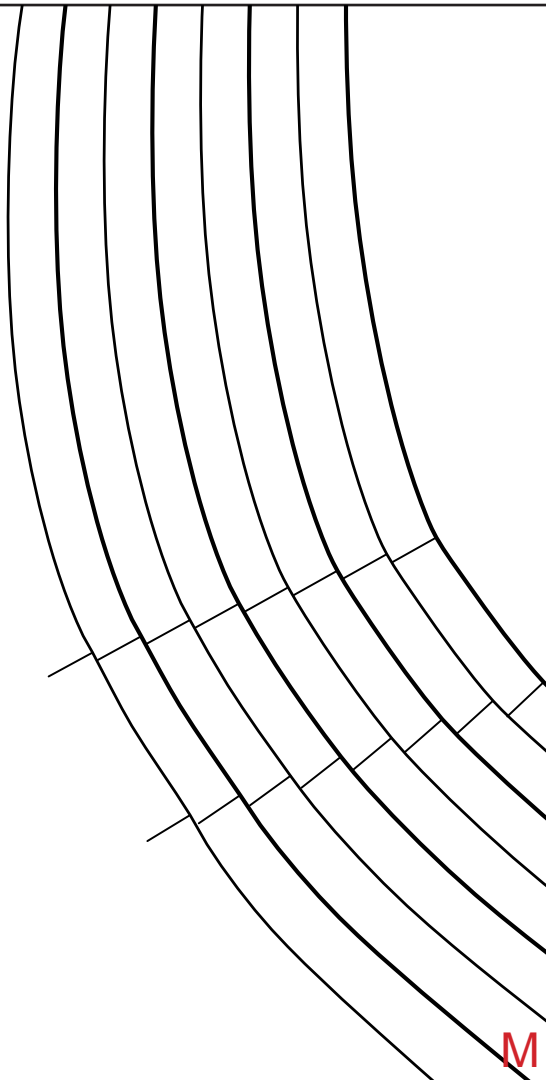
H

- SIZE 20
- SIZE 18
- SIZE 16
- SIZE 14
- SIZE 12
- SIZE 10
- SIZE 8
- SIZE 6

Common  
Stitch.

5

5



# PARROT TEE BACK

CUT ONE ON FOLD

L 6mm SEAM ALLOWANCE  
(0.2 inch)

# 2.

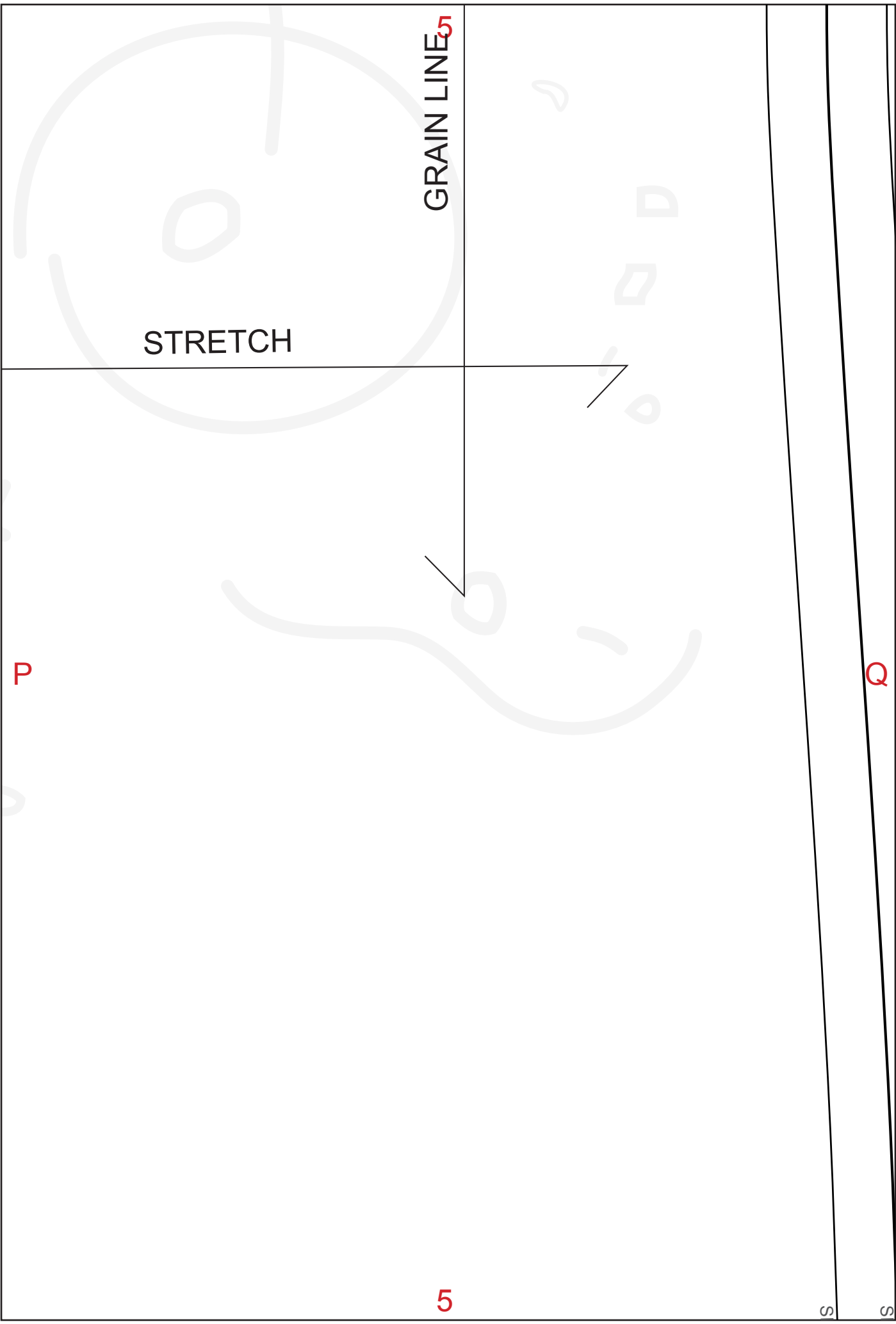
M

SIZE 6

SIZE 8

5





© Common Stitch 2018. For personal use

T

U



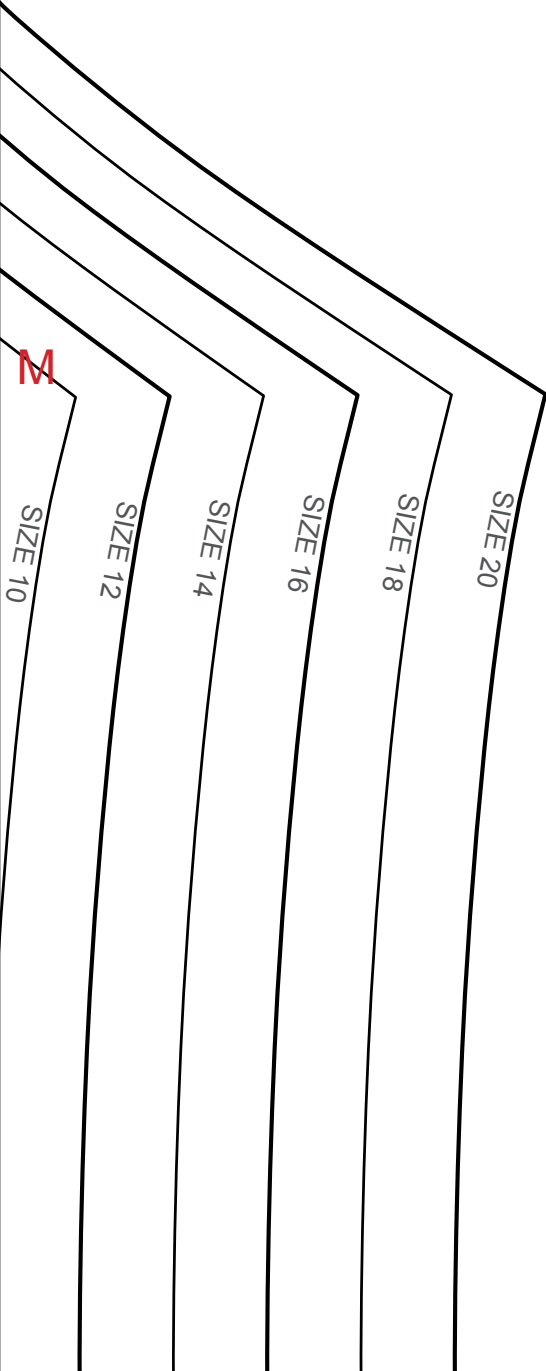
Common  
Stitch.

D

6

H

6



6

Q

S

S

S

S

S

S

6



ZE 20

ZE 18

ZE 16

ZE 14

ZE 12

ZE 10

only, not for reproduction or distribution.