

THORAIR®

THORAIR® Pro HEPA Filter Air Scrubber



The THORAIR® Pro HEPA Filter Air Scrubber is a portable filtration system that removes airborne particles including mold, pet dander, dust, pollen, drywall dust, and other miscellaneous debris as small as 0.3 microns. The THORAIR® Pro HEPA Filter Air Scrubber utilizes up to 3 stages of filtration including a pre-filter, optional 2nd stage, and a HEPA filter. The THORAIR® Pro HEPA Filter Air Scrubber will create cleaner air in any environment. The pre-filter and second stage filter capture larger particles and the HEPA filter captures smaller particles.

WARNINGS

- Do not move or carry the Air Scrubber while it is operating. When the Air Scrubber is operating, the powerful airflow can cause unpredictable movement.
- NEVER allow children to play with or around the Air Scrubber.
- Do not alter or modify your Air Scrubber in any way. Use only replacement parts authorized by Action Solution Products. Modifications or use of unauthorized parts could create a hazard and will void your warranty.
- Store the Air Scrubber in a clean, dry environment. Do not store outdoors or allow water inside the unit's motor. If the motor becomes wet, allow it to thoroughly dry before use.
- The Air Scrubber should never be operated near water as it will create a risk of serious injury from electrical shock.
- Handle unit with care to avoid causing damage or injury.
- The Air Scrubber should always be operated on a flat surface. Do not operate where unit could fall, or on slippery surfaces, as this could increase the chance of injury, fire, or electrical shock.
- Keep all liquids from being drawn into the Air Scrubber and never operate unit without factory installed safety inlet and outlet grills in place.
- Do not use the Air Scrubber near combustible gas, or hot air as unit could melt and cause a fire or electrical hazard.
- Do not take the Air Scrubber apart or repair it unless you are qualified to do so. Never repair or service unit while Air Scrubber is plugged in.
- Make sure the air intake and outlet are free from all materials and away from obstructions, as any restrictions may cause the Air Scrubber to overheat and cause a shock or fire hazard.
- Unplug the Air Scrubber before performing any service or changing filters
- Do not stack more than 2 units high in order to avoid a tipping hazard – falling equipment can cause bodily harm.

OPERATION

- 1) Place the Air Scrubber upright on a level and stable surface with the handle up.
- 2) Remove the dust cover.
- 3) Plug the Air Scrubber into a grounded 230-volt grounded outlet with the correct voltage and amperage. For maximum protection against electrical shock, ALWAYS use a circuit that is protected by a ground fault circuit interrupter. If you are unsure about the outlet, check with a qualified electrician or service person. Do not use an adapter or extension cord.
- 4) To switch the unit on, locate the control panel and turn the variable speed switch clockwise to the desired speed setting. Check that the Air Scrubber operates properly before leaving it unattended.
- 5) Operate unit until area is clear of unwanted contaminants or until filters need to be changed. The control panel has a filter change light which illuminates when the HEPA filter needs to be changed. See section on changing filters for instructions.

AUXILIARY/GFCI OUTLET/DAISY-CHAIN

You can interconnect (“daisy-chain”) up to three THORAIR® Pro HEPA Filter Air Scrubber to customize your air filtration needs. The GFCI will “trip” if it detects a sudden “ground fault,” or overload and interrupt the electric current. When the GFCI “trips,” unplug the unit and look for potential hazards such as standing water, frayed cords, or anything that would cause a dangerous electrical problem. If such a situation exists, plug the THORAIR® Pro HEPA Filter Air Scrubber into a different outlet and then push the “reset” button which is located between the 2 outlets on the GFCI. If the unit will not operate check the circuit breaker section below.

CIRCUIT BREAKER SWITCH

The THORAIR® Pro HEPA Filter Air Scrubber is equipped with a circuit breaker switch to protect the Air Scrubber. The switch is located directly above the GFCI outlet and cuts off power to the unit when it detects an unsafe amount of electricity passing through the unit. If the switch “trips,” unplug the unit and look for potential hazards or anything that may be creating an overload situation. “Reset” breaker by pushing button in and continue normal operation.

CHANGING FILTERS

WARNING: CONTAMINATION HAZARD

Always wear NIOSH compliant protective gear when changing filters and dispose of used filters according to your local regulations.

Filters should be changed after every remediation job and whenever the filter change indicator light comes on. The unit should also be cleaned after each job to prevent cross-contamination.

Make sure the unit is dry before installing clean filters.

To change filters:

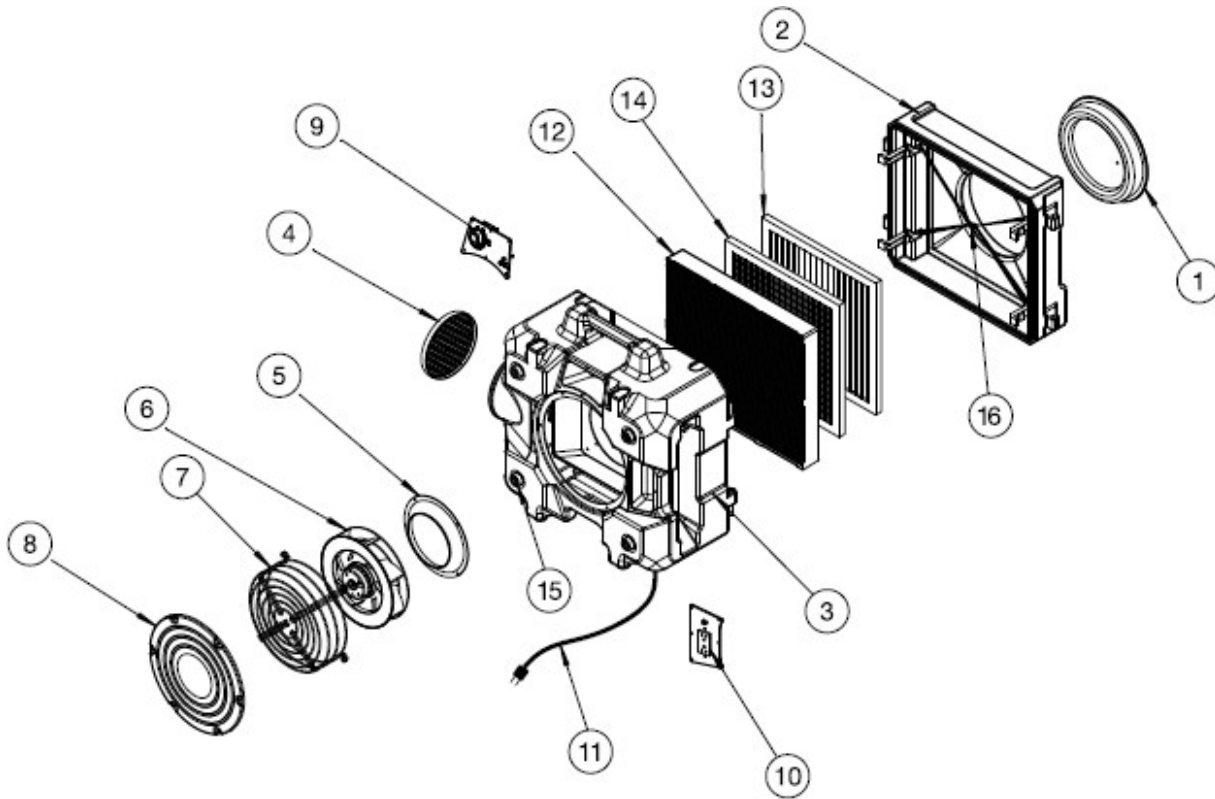
- 1) Unplug the Air Scrubber
- 2) Open door by releasing sliding latches outward, away from the air scrubber body.
- 3) Remove used filters and install new filters.
- 4) Latch door closed and plug the unit in a grounded outlet before operating.

THORAIR® Pro HEPA Filter Air Scrubber SPECIFICATIONS

Fan Speed:	1600 rpm
Certifications:	CE
Motor Rating:	450W
Power:	230 Volts, 50 Hz
Current:	2amps
CFM:	600CFM
Pre-Filter	G4 40x40x2cm
Prime-Filter	H13 48.3x40.5x10cm

Specifications are subject to change without notice.

THORAIR® Pro HEPA Filter Air Scrubber PARTS LIST



Ref	Part Number	Description	Qty Req
1	MTHF5001	Removable Dust Cover	1
2	MTHF5002	Inlet Housing	1
3	MTHF5003	Housing	1
4	MTHF5004	Outlet Grill	1
5	MTHF5005	Airflow Guide	1
6	MTHF5006	1/3 HP Motor	1
7	MTHF5007	Motor Support	1
8	MTHF5008	Motor Seal Panel	3
9	MTHF5009	Switch Panel	1
10	MTHF5010	GFCI Panel	1
11	MTHF5011	Power Cord - 25'	1
12	MTHF500HF	HEPA Filter	1
13	MTHF500PF	Pre-Filter	1 or 2
14	MTHF500CF	Optional Charcoal/Carbon Filter	1
15	MTHF5015	Foot Pad	4
16	MTHF5016	Pre-Filter Harness	1

TROUBLESHOOTING

PROBLEM	POSSIBLE CAUSE/SOLUTION
Air Scrubber does not turn on	<ul style="list-style-type: none"> • Switch not turned on-turn • Circuit breaker or GFCI has tripped-push rest button • No power to scrubber-make sure unit is plugged in; check power supply • Faulty switch-replace
Air Scrubber starts and then shuts off	<ul style="list-style-type: none"> • Obstructed inlet/outlet – remove obstruction • Faulty motor - replace
Air Scrubber vibrates	<ul style="list-style-type: none"> • Motor shaft is bent – replace motor • Fan blade is bent – replace • Excessive dirt built up on fan blade – clean by wiping with a slightly damp cloth.
Air Scrubber change light illuminated	<ul style="list-style-type: none"> • HEPA filter needs replacement - replace • Air intake restricted – remove restriction or bends/kinks in ducting
Motor makes noises, but Air Scrubber won't turn on	<ul style="list-style-type: none"> • Damaged/faulty motor or motor shaft – replace • Broken/loose wire to capacitor – tighten • Damaged/faulty capacitor – replace • Damaged housing/fan so fan will not spin – replace housing or fan wheel • Motor shaft set screw holding fan wheel is loose - tighten

Thank you for purchasing this All Imports products. Please read the instructions carefully and follow all warnings. All All Imports products are manufactured to be easy to use and provide years of worry-free service when the recommendations in this manual are followed. Please call ADI at 1300 263 551 or send email to INFO@ALLIMPORTS.COM.AU with any questions or concerns.