



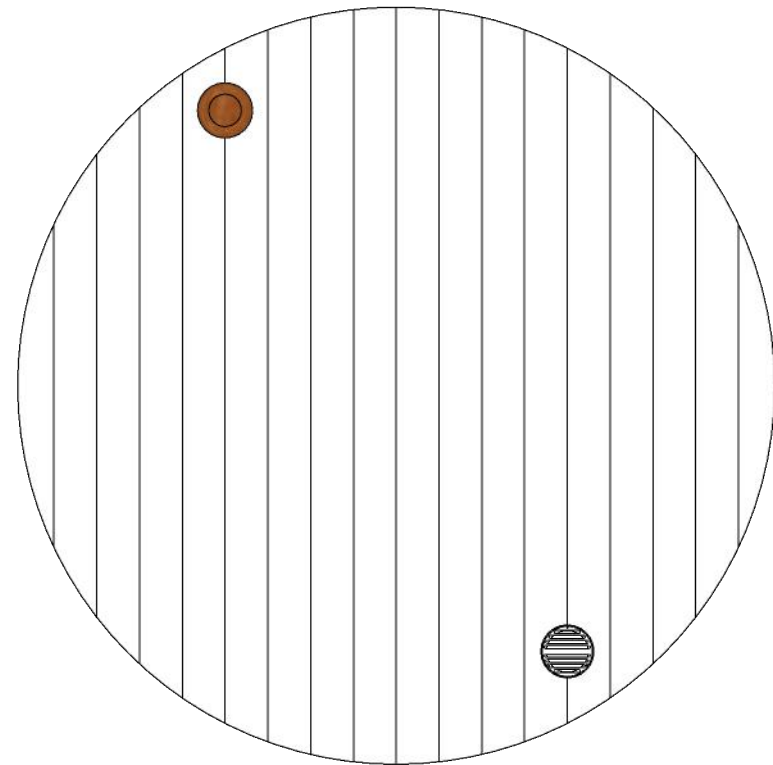
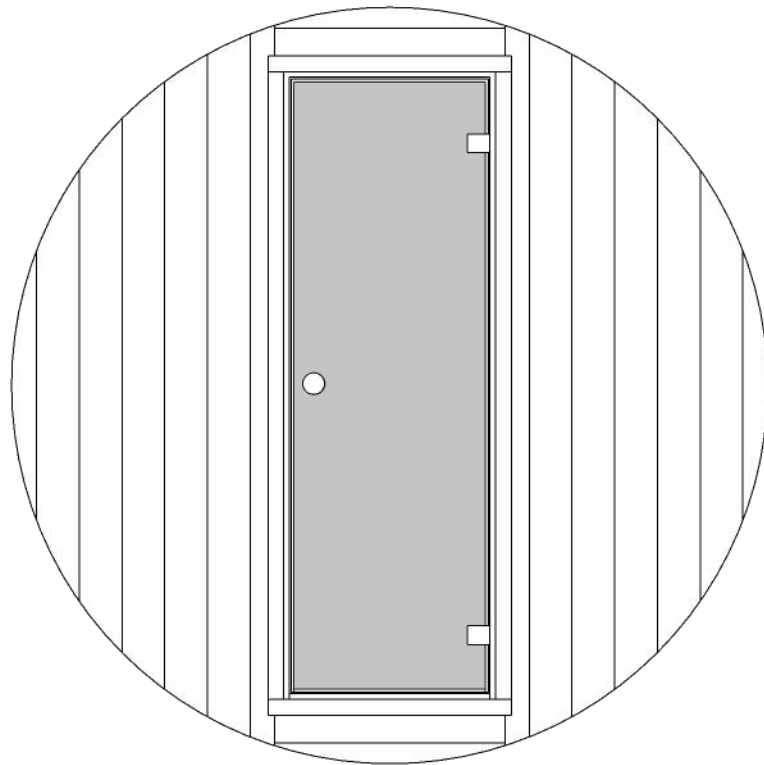
Ergo-Series E8 Barrel Sauna  
87D" x 81H"



**Note: Please read manual before construction**

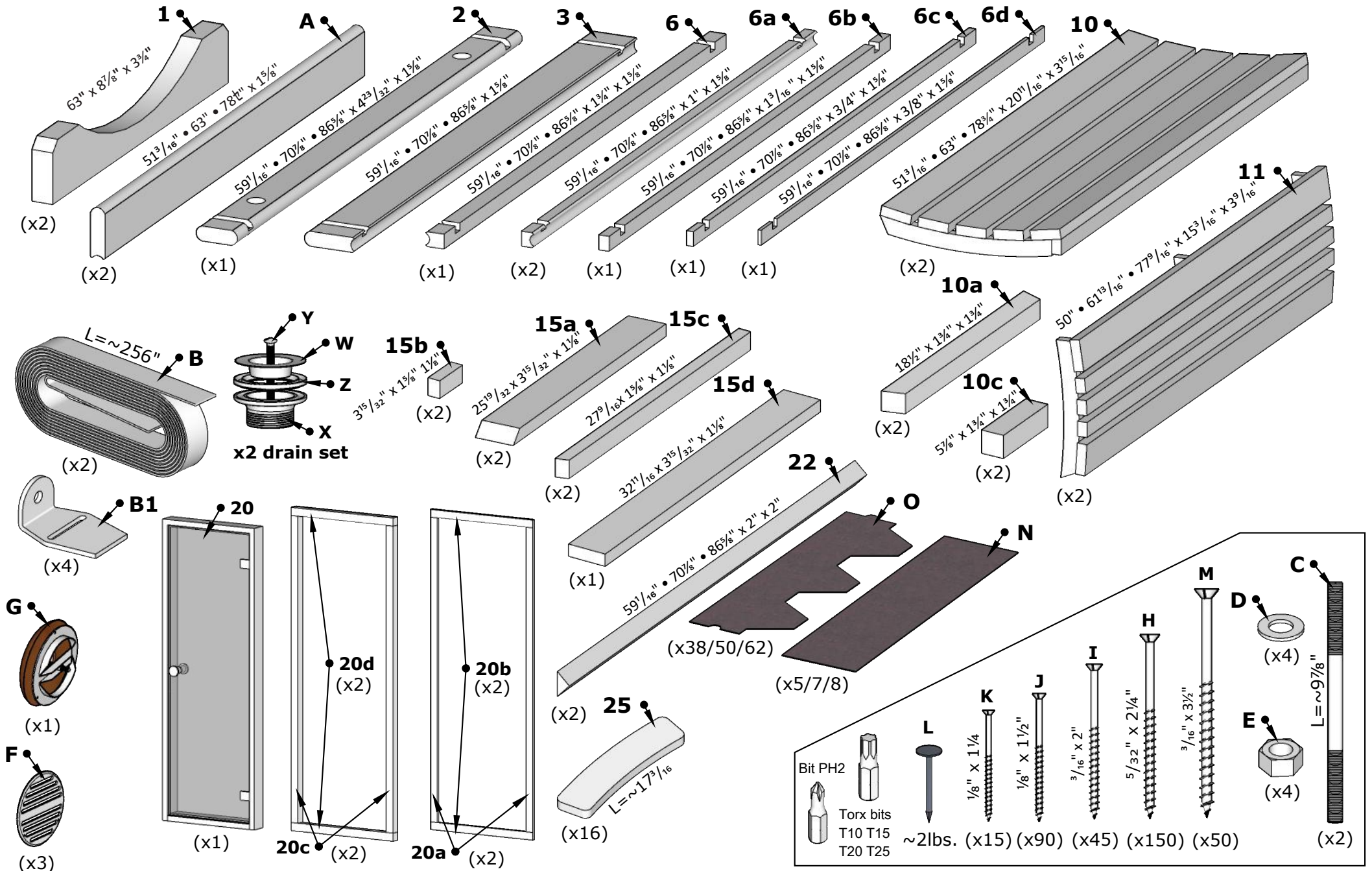
Rev 4/2023

# Front & Back Walls

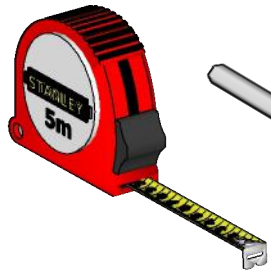


# E8 Barrel Sauna 87D" x 81H"

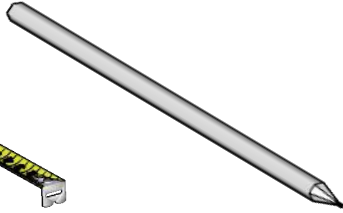
## Details list.



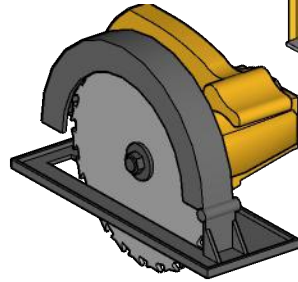
# Tools needed



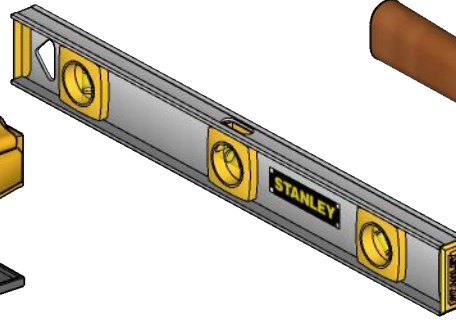
Measuring tape



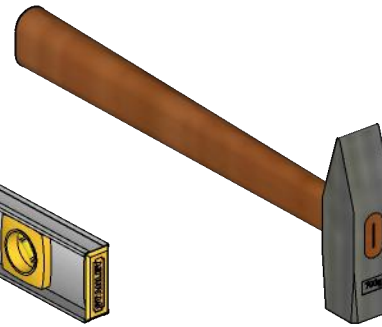
Marker pen



Circular saw



Water level



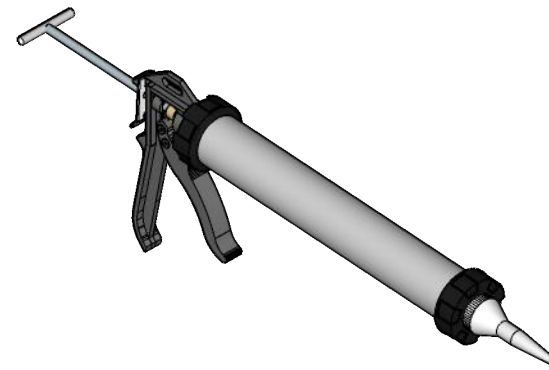
Hammer



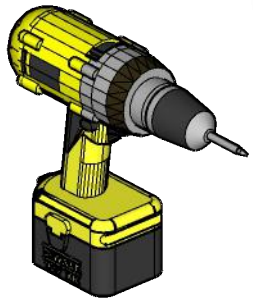
Extra hands



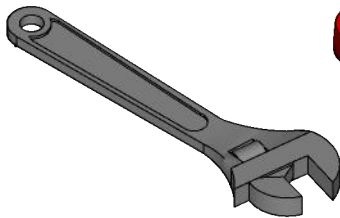
Ratchet strap



Silicone gun  
(Only glass-wall models)



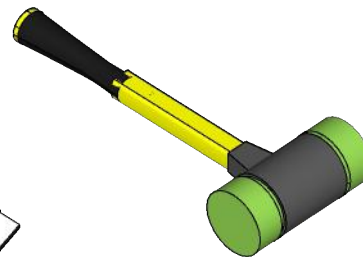
Drill



Crescent wrench



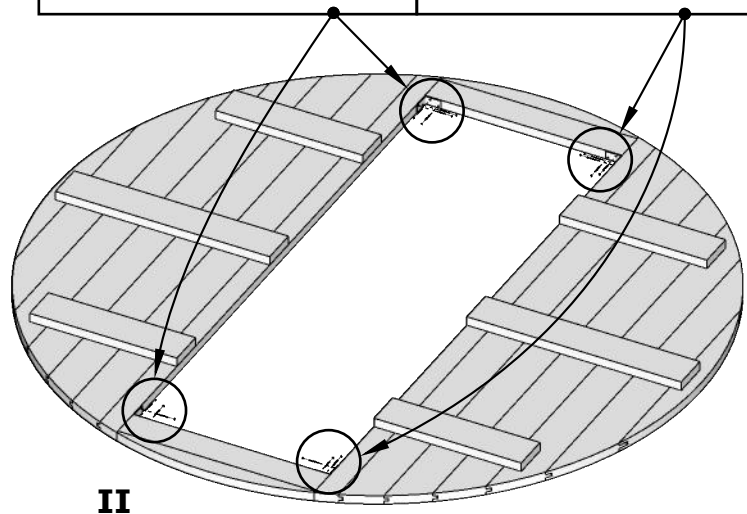
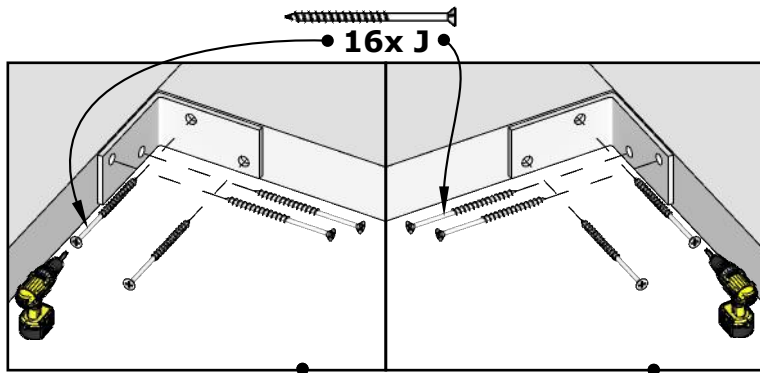
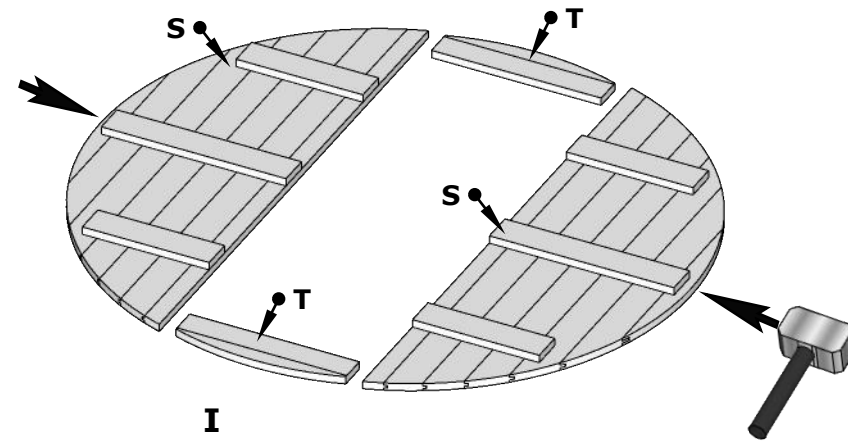
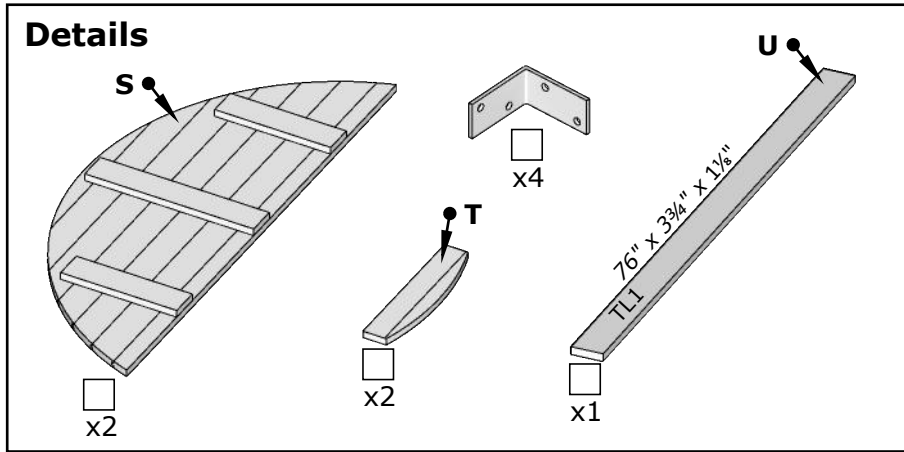
Utility knife



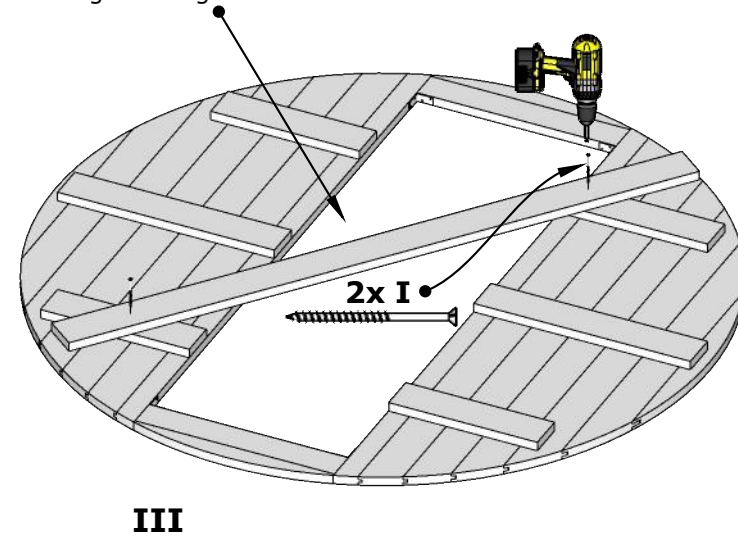
Rubber mallet

# Wooden front wall installation

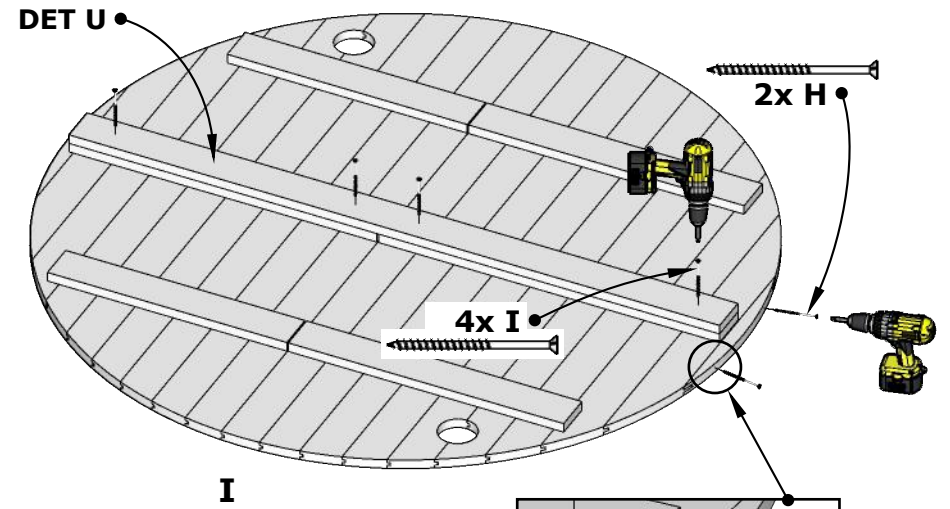
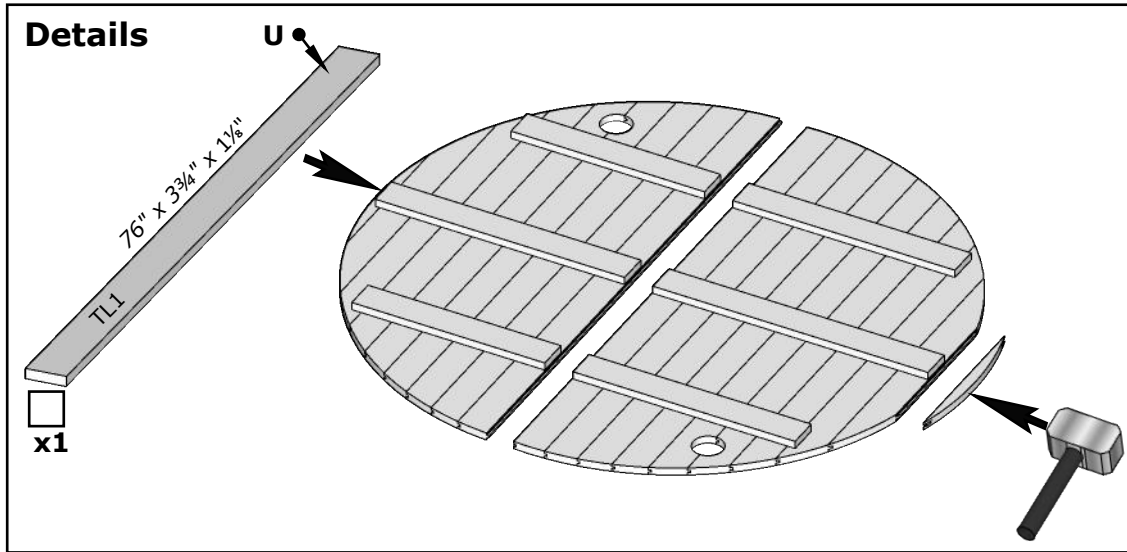
## Details



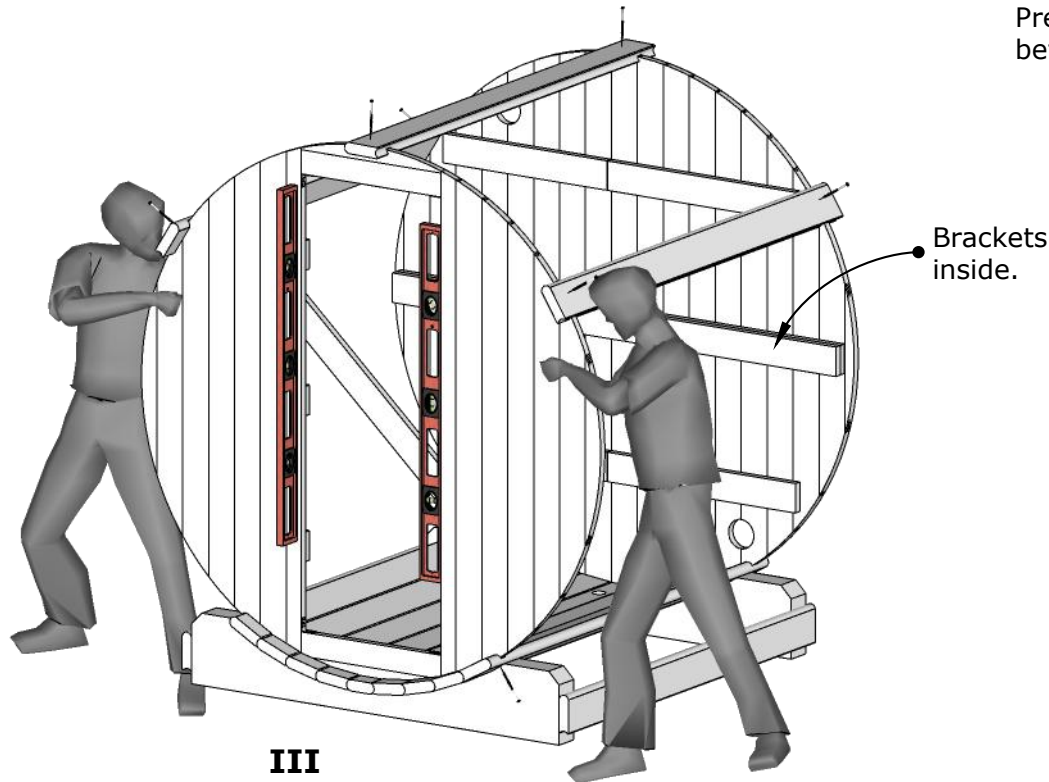
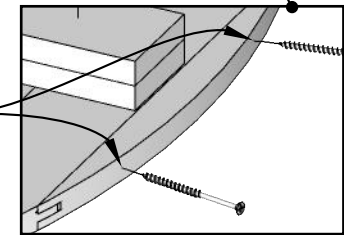
**DET U** Fix it diagonally to make wall more rigid during the installation.



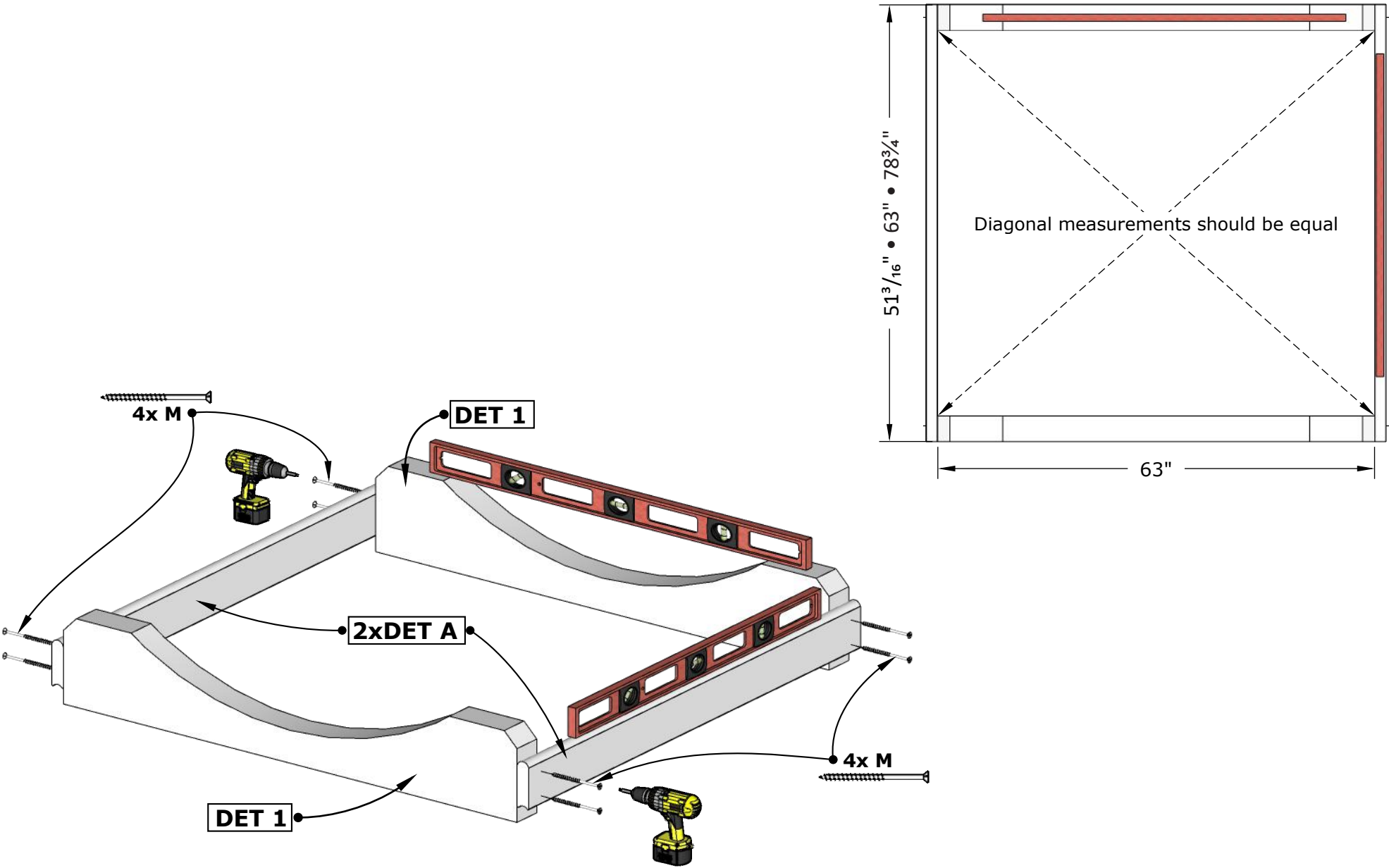
# Wooden back wall installation



Pre-drill holes 5/32" before screws.

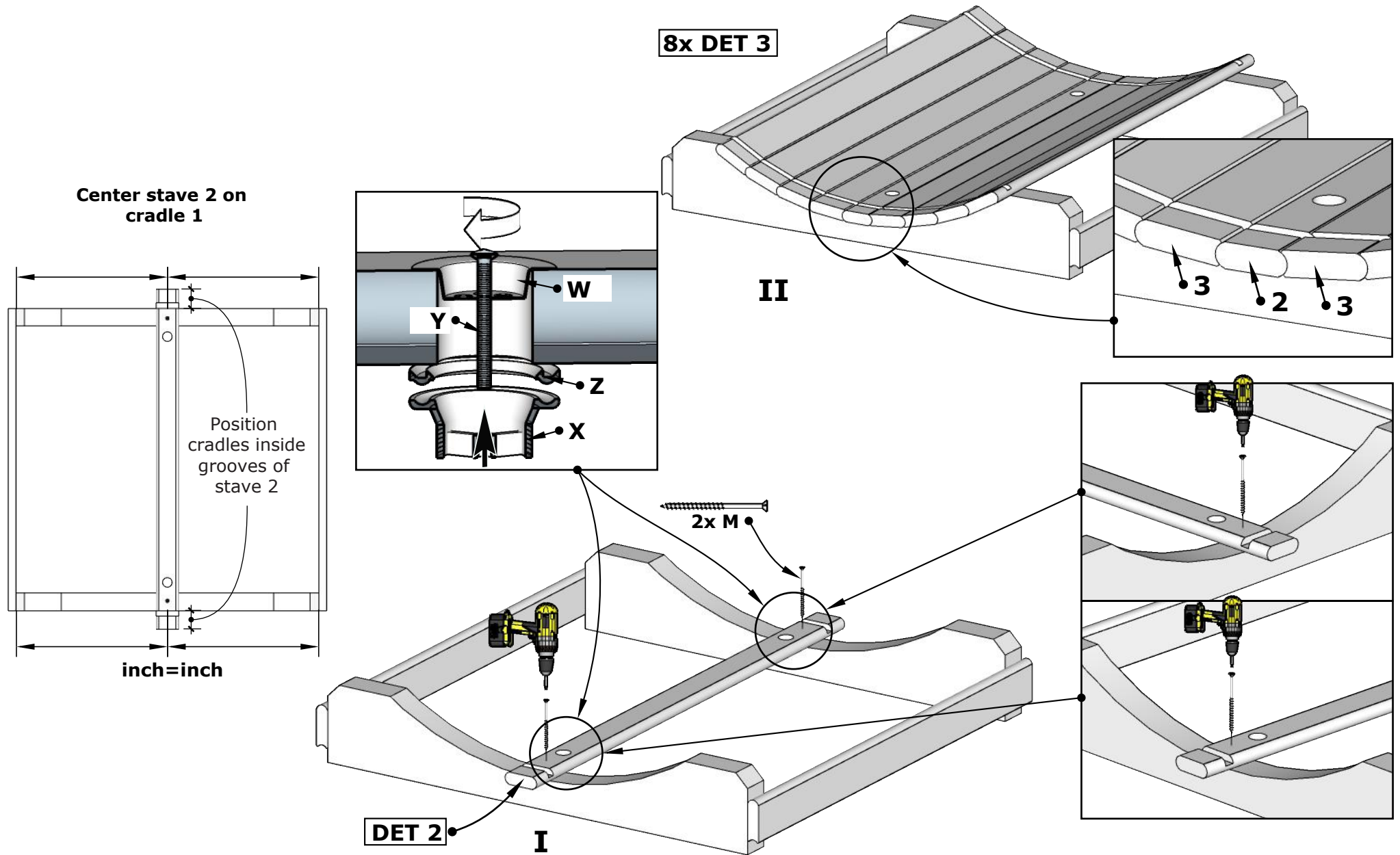


# E8 Barrel Sauna 87D" x 81H"



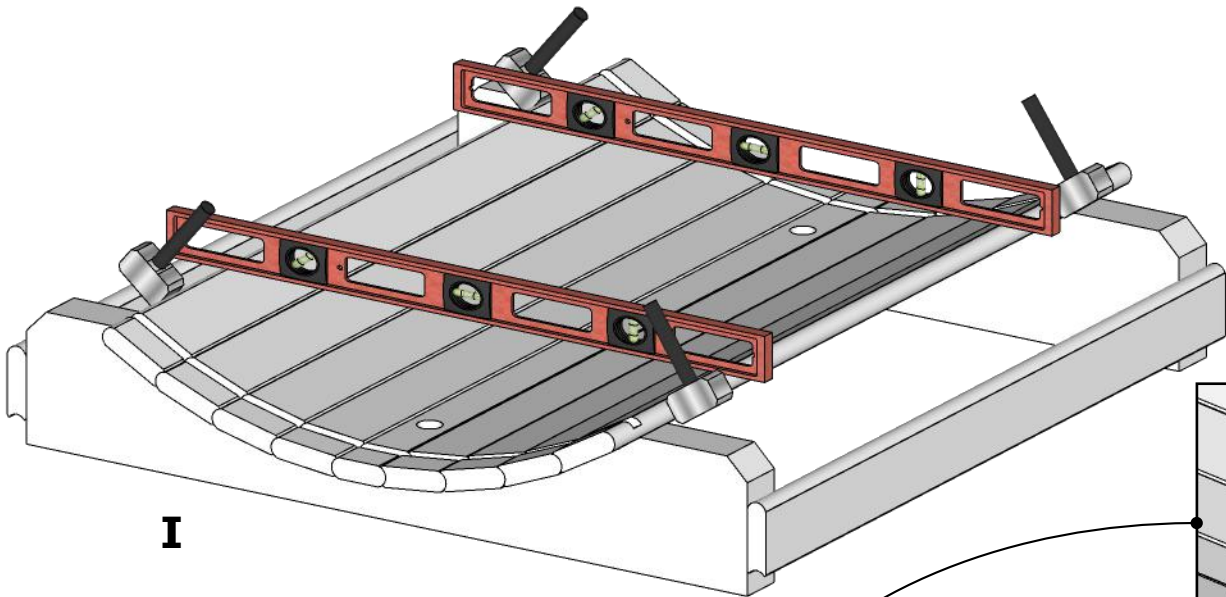
1.

# E8 Barrel Sauna 87D" x 81H"

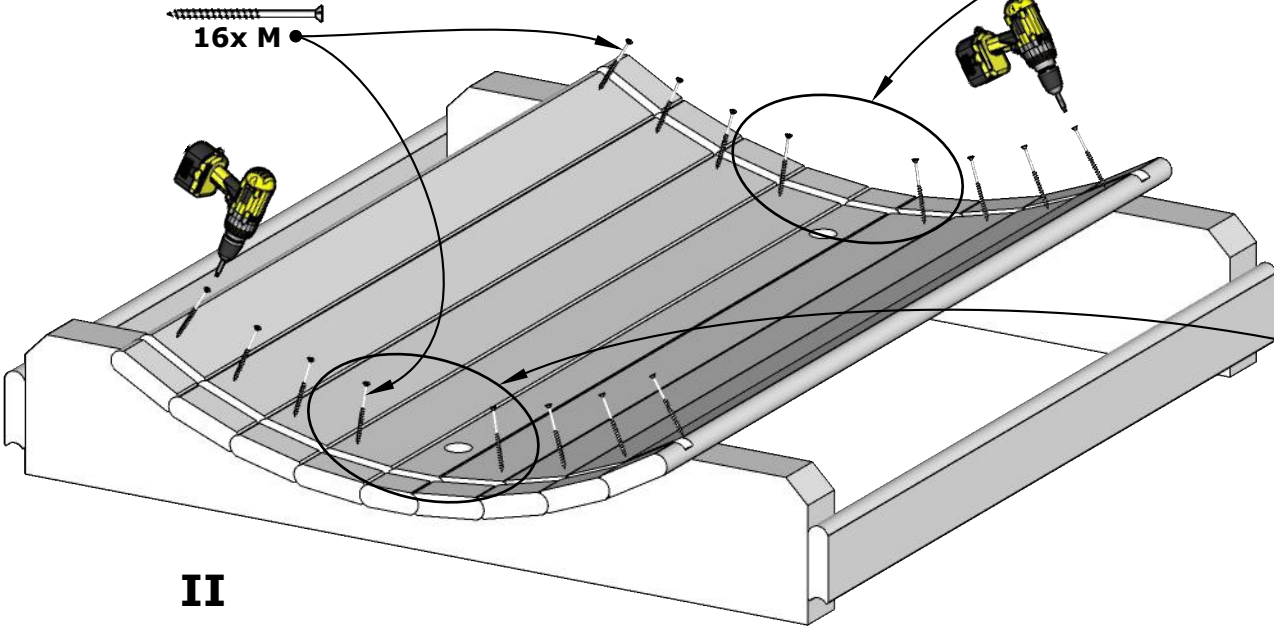




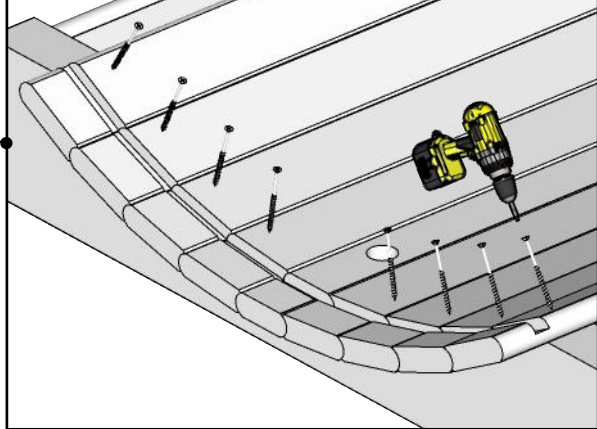
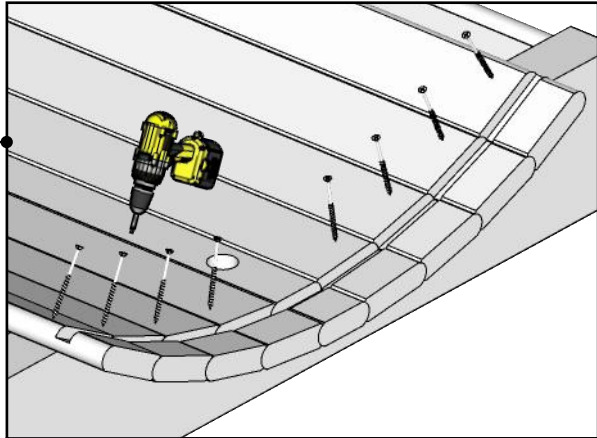
# E8 Barrel Sauna 87D" x 81H"



I

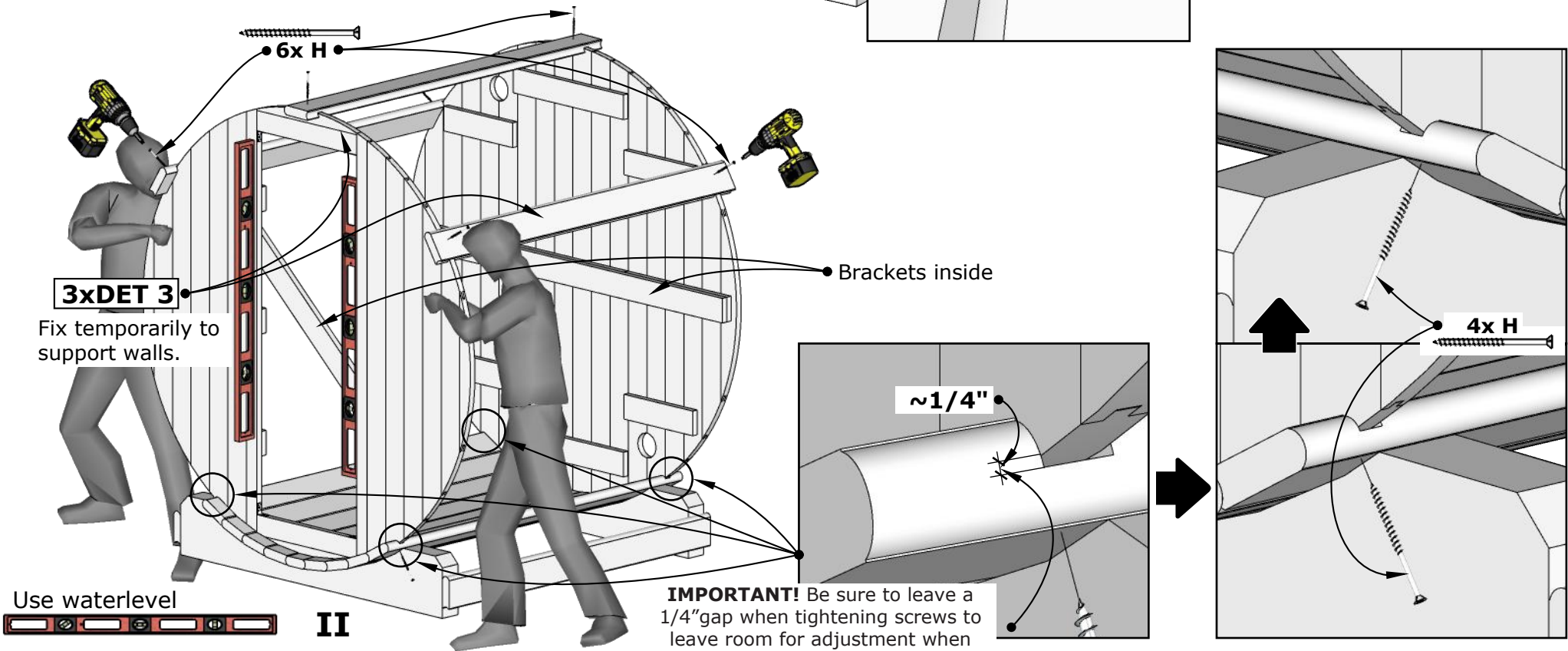
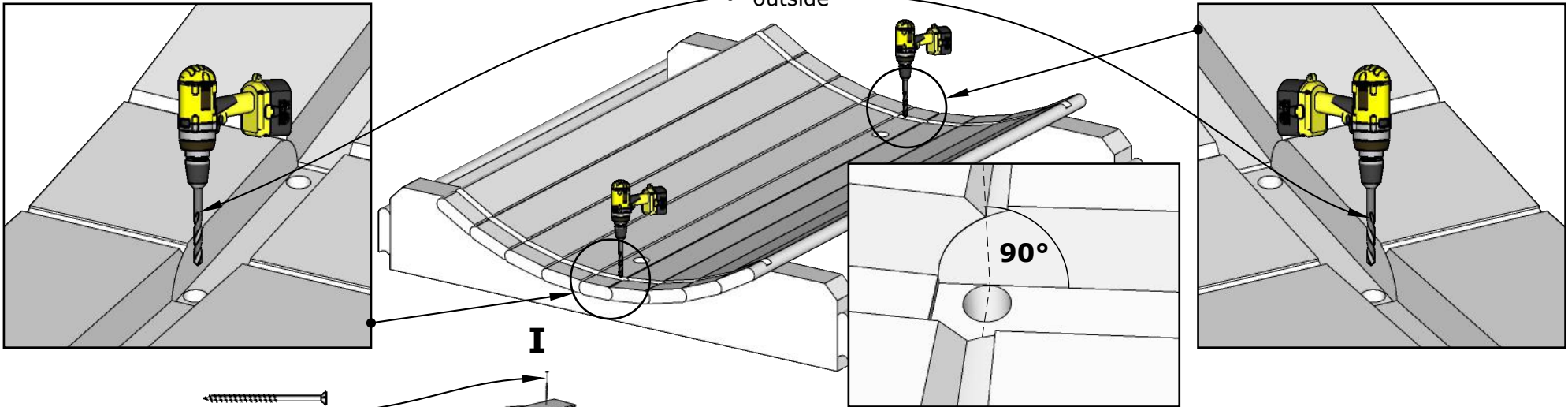


II

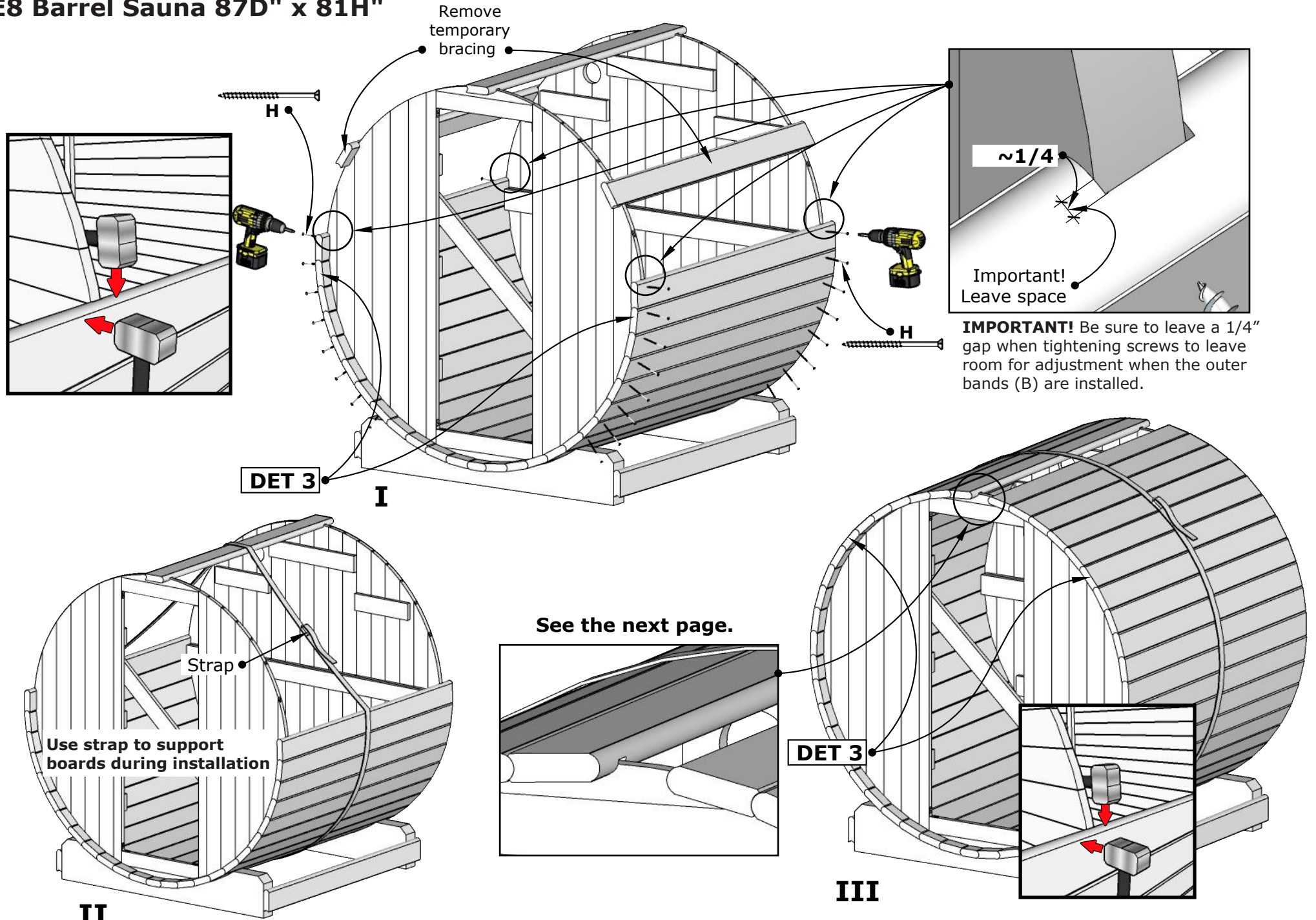


# E8 Barrel Sauna 87D" x 81H"

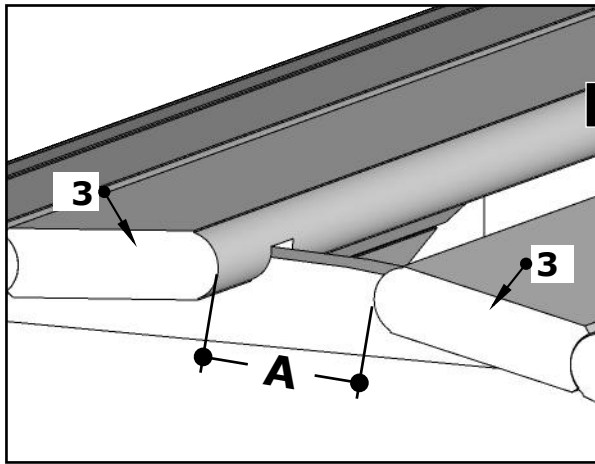
Drill 4 holes  $\varnothing 1/2"$   
through DET 2  
outside



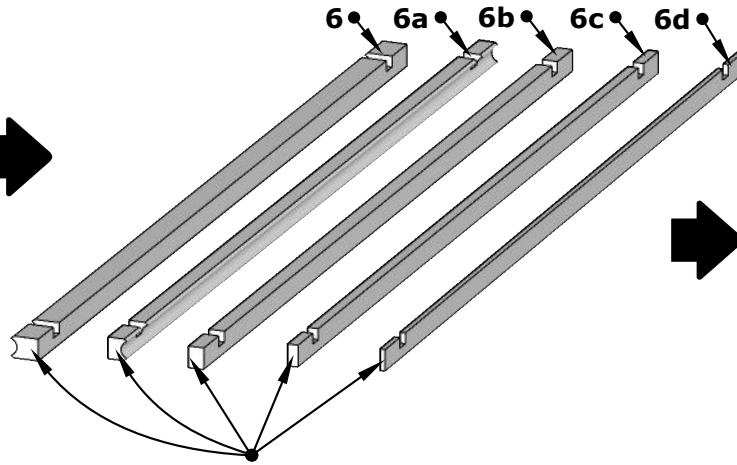
# E8 Barrel Sauna 87D" x 81H"



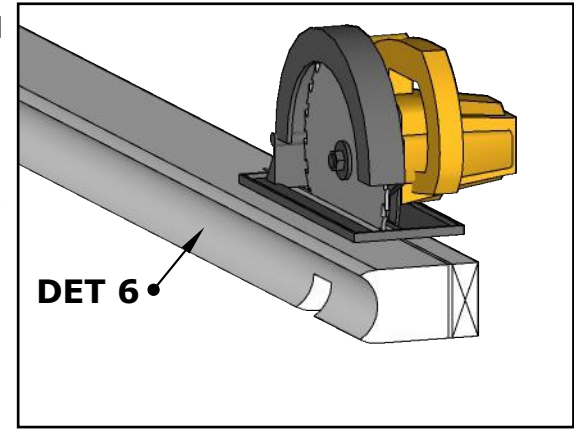
# E8 Barrel Sauna 87D" x 81H"



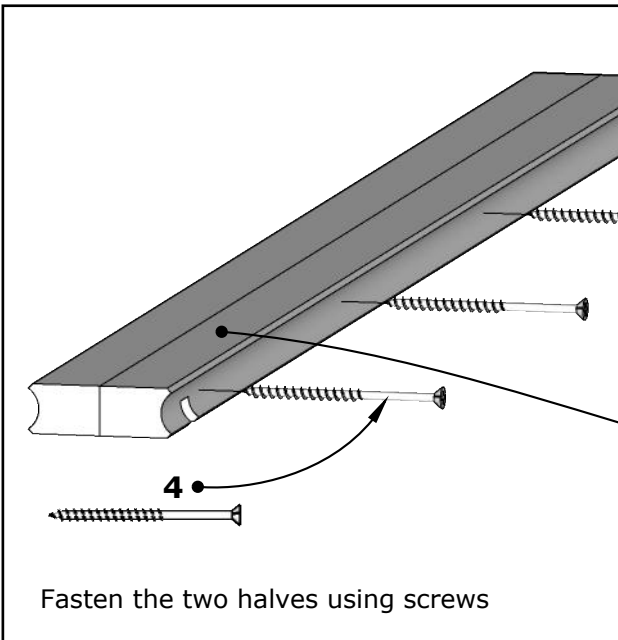
**I**



Join two boards together (as shown in diagram II) that will bridge the width of the "A" gap. It is recommended that the combined boards are approximately 1/4" wider than the gap.

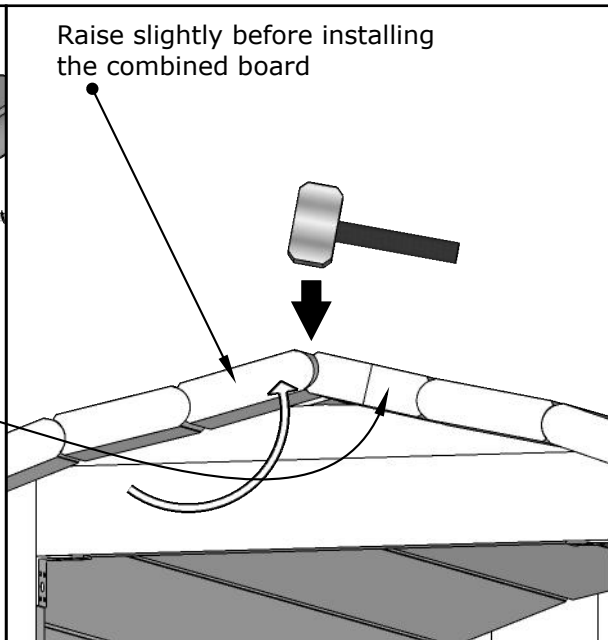


If needed, trim the flat edge of the board to create the desired width.

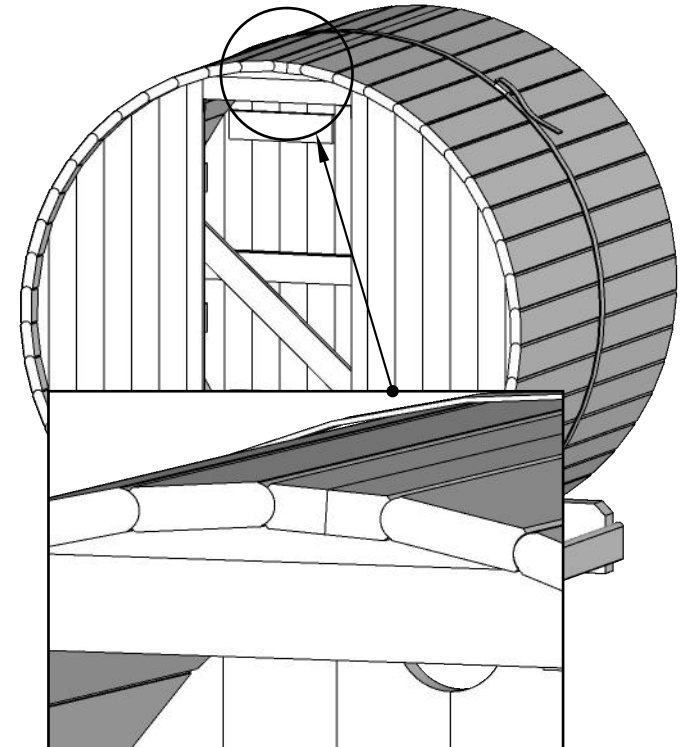


Fasten the two halves using screws

**II**

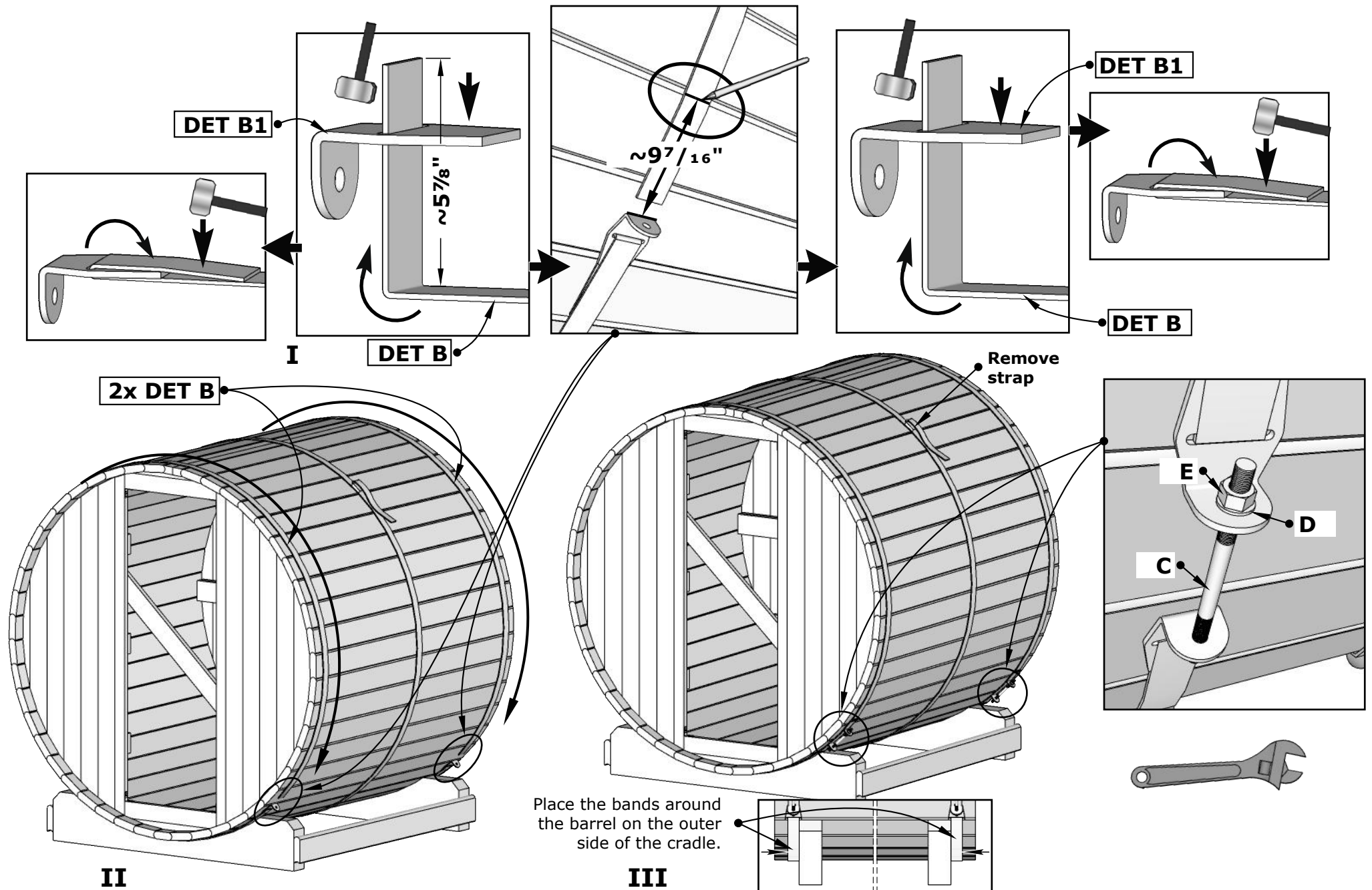


Raise slightly before installing the combined board



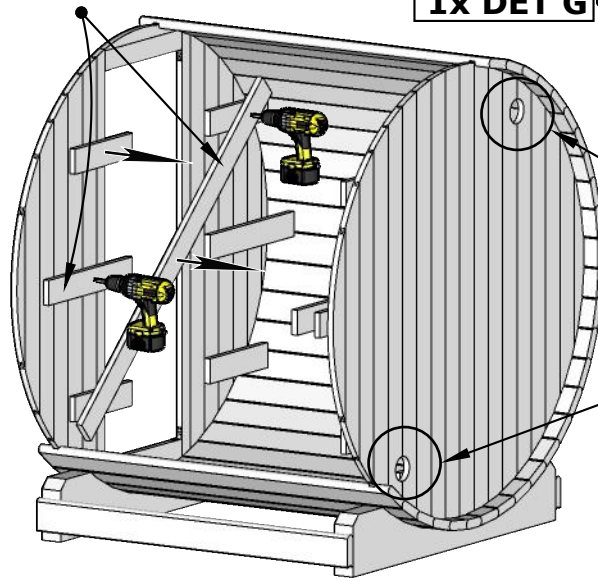
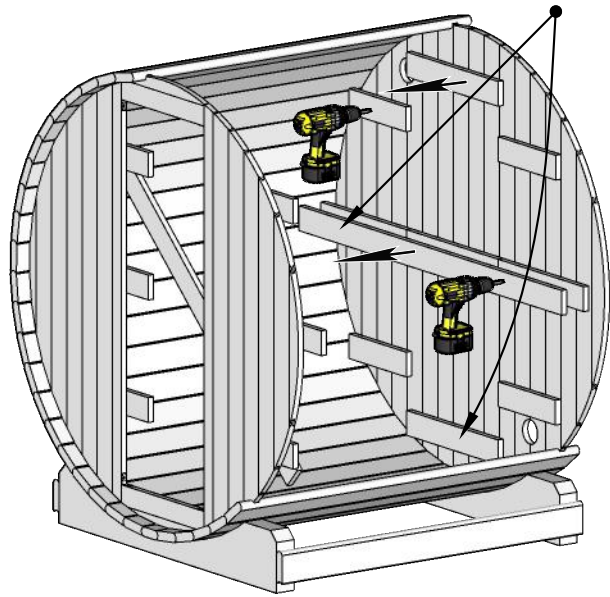
**III**

# E8 Barrel Sauna 87D" x 81H"

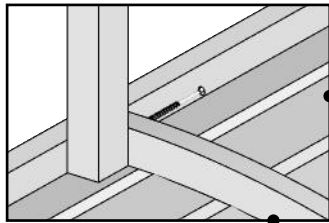
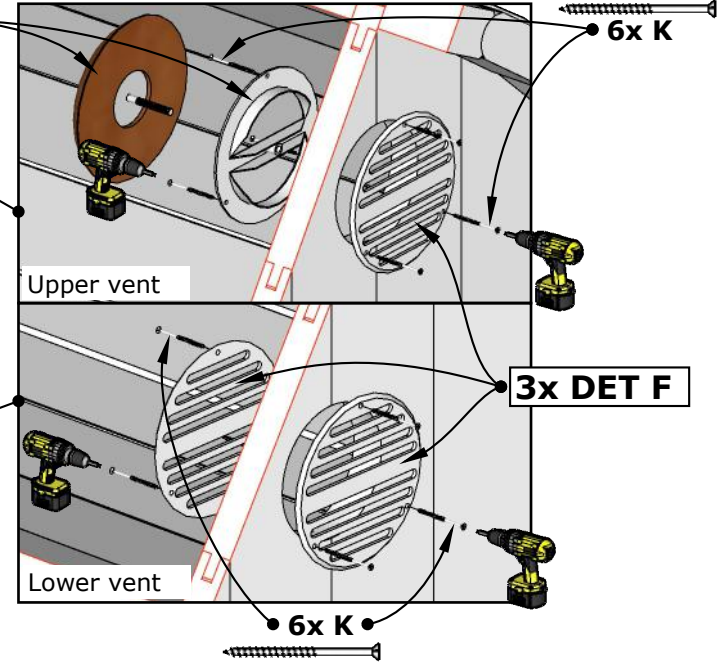


# E8 Barrel Sauna 87D" x 81H"

Remove all temporary braces



1x DET G



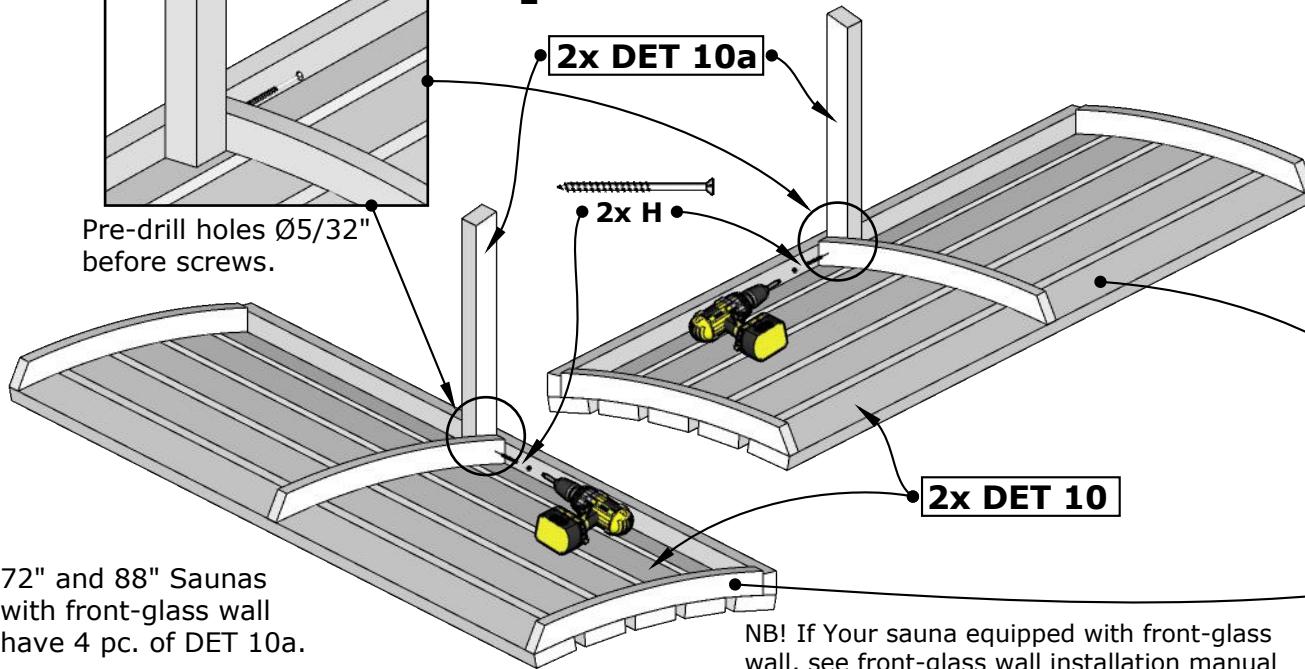
Pre-drill holes  $\varnothing 5/32"$  before screws.

I

2x DET 10a

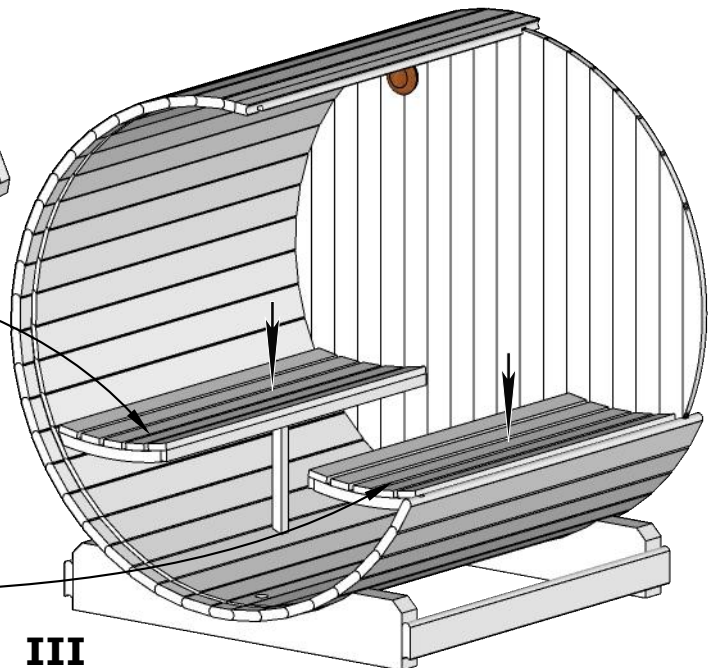
2x H

2x DET 10



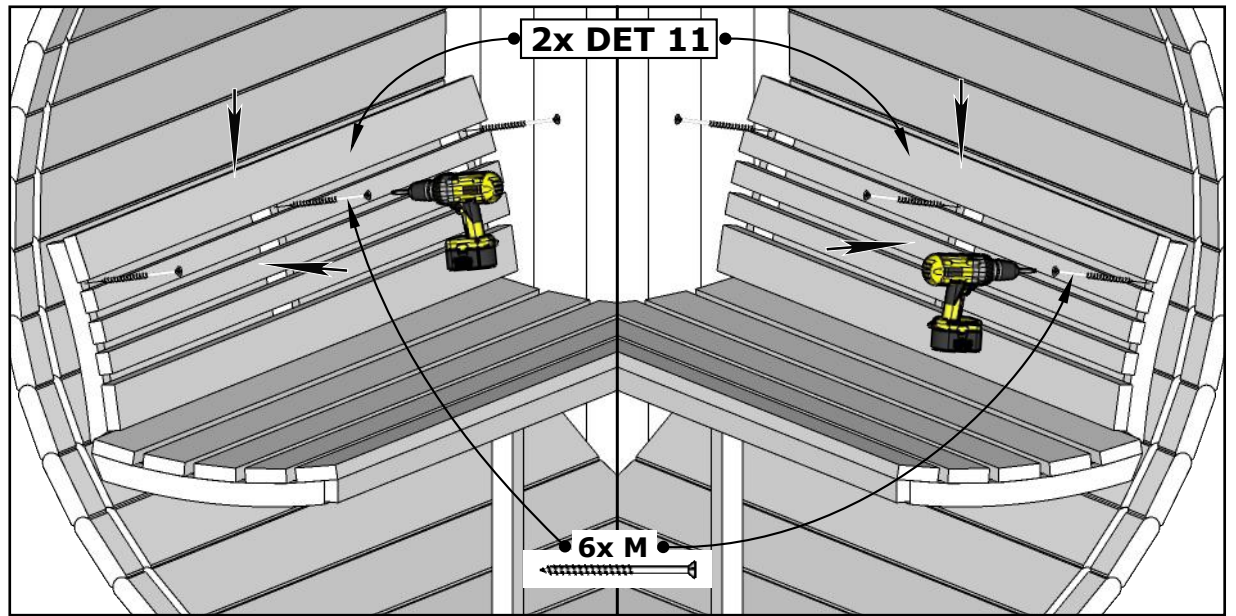
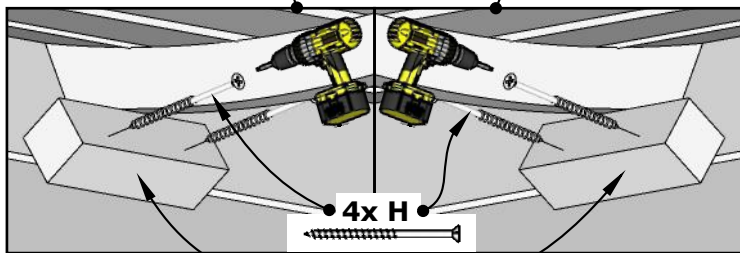
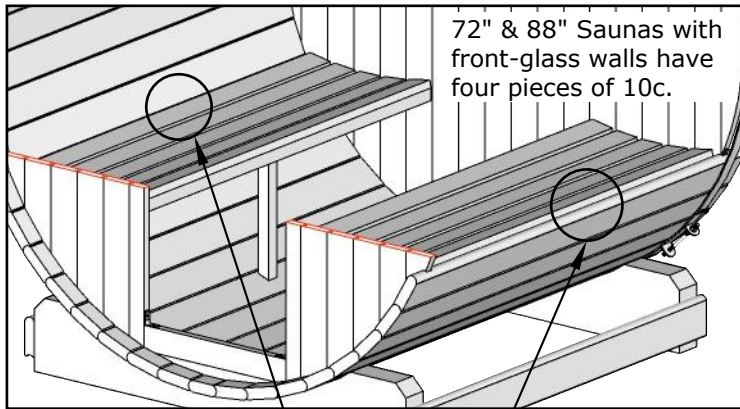
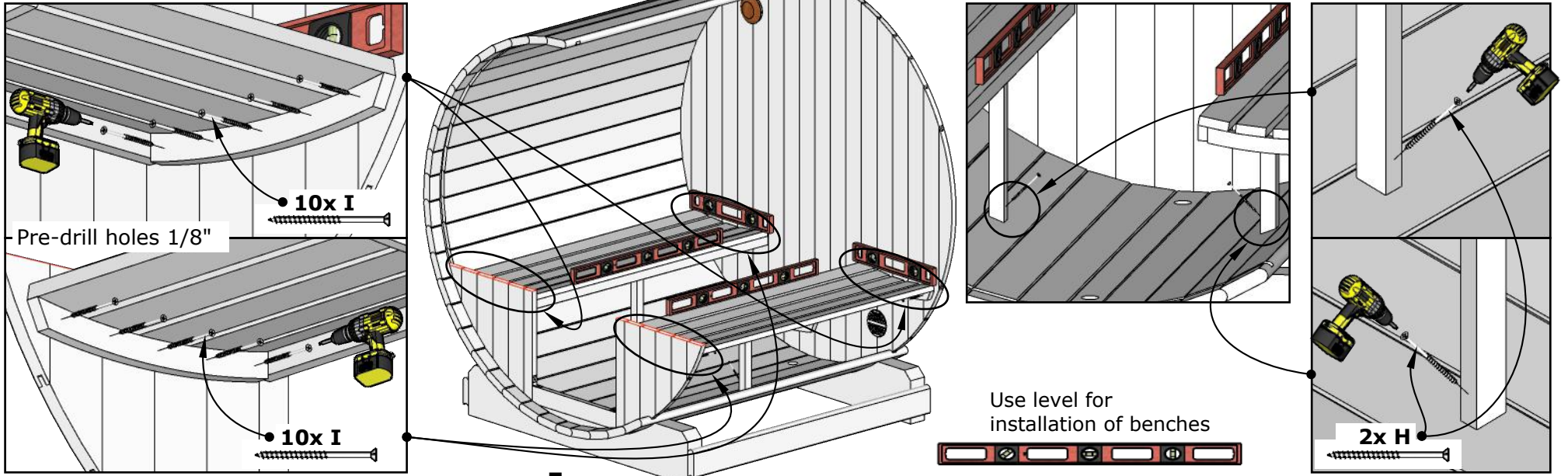
72" and 88" Saunas with front-glass wall have 4 pc. of DET 10a.

NB! If Your sauna equipped with front-glass wall, see front-glass wall installation manual for proper benches installation.

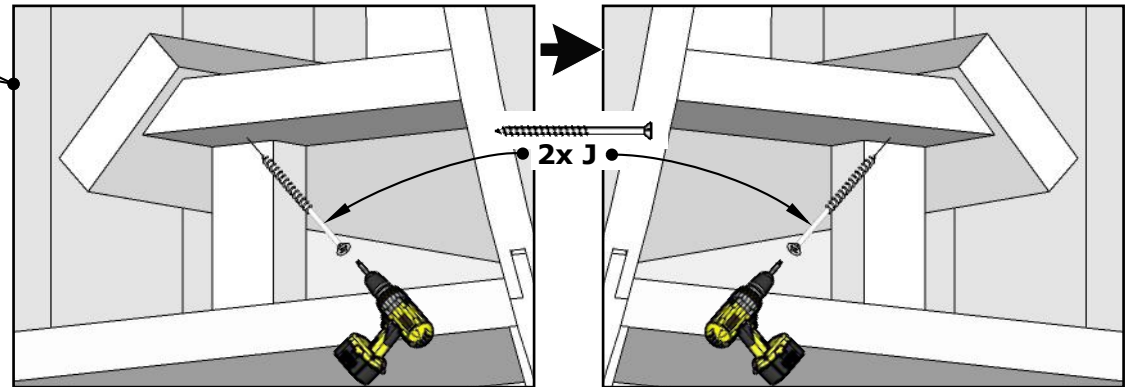
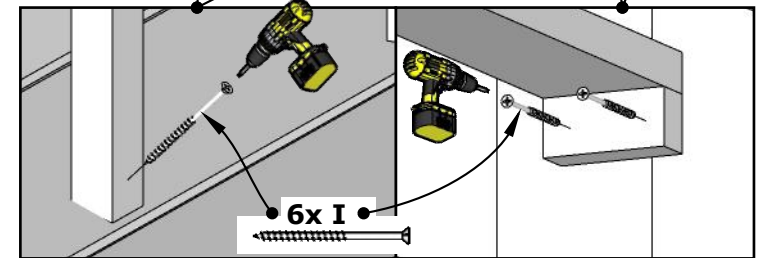
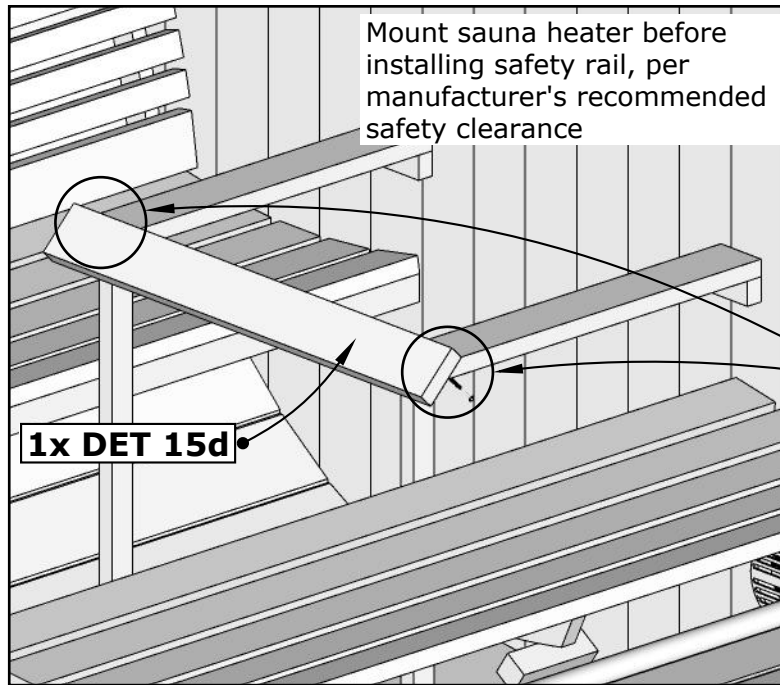
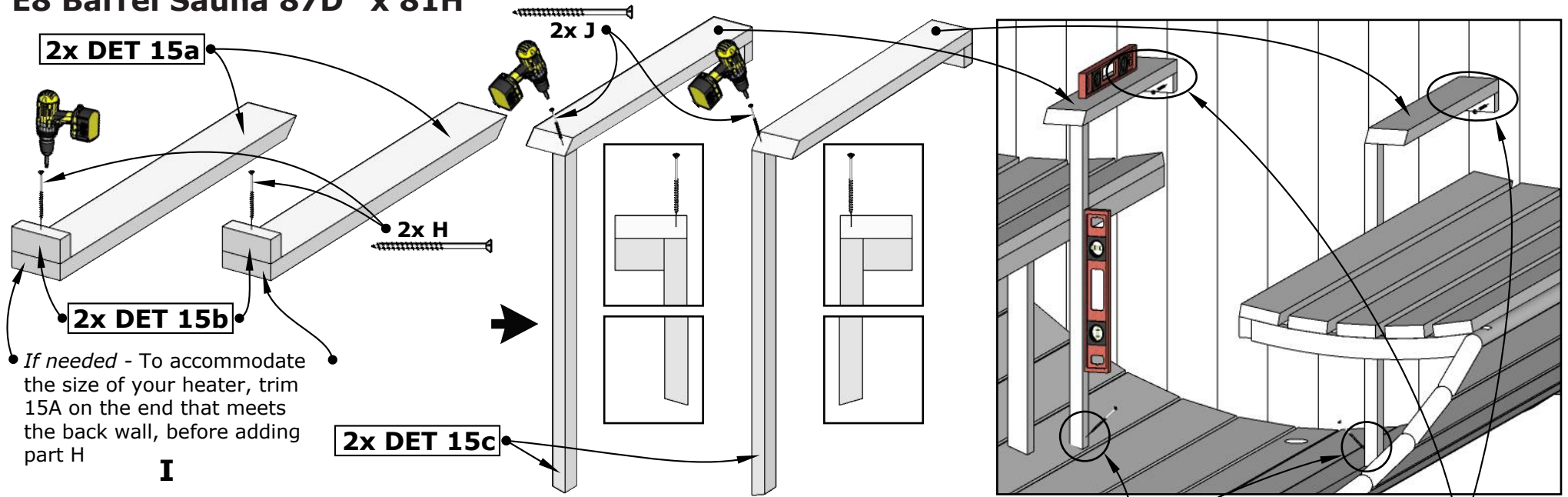


III

# E8 Barrel Sauna 87D" x 81H"

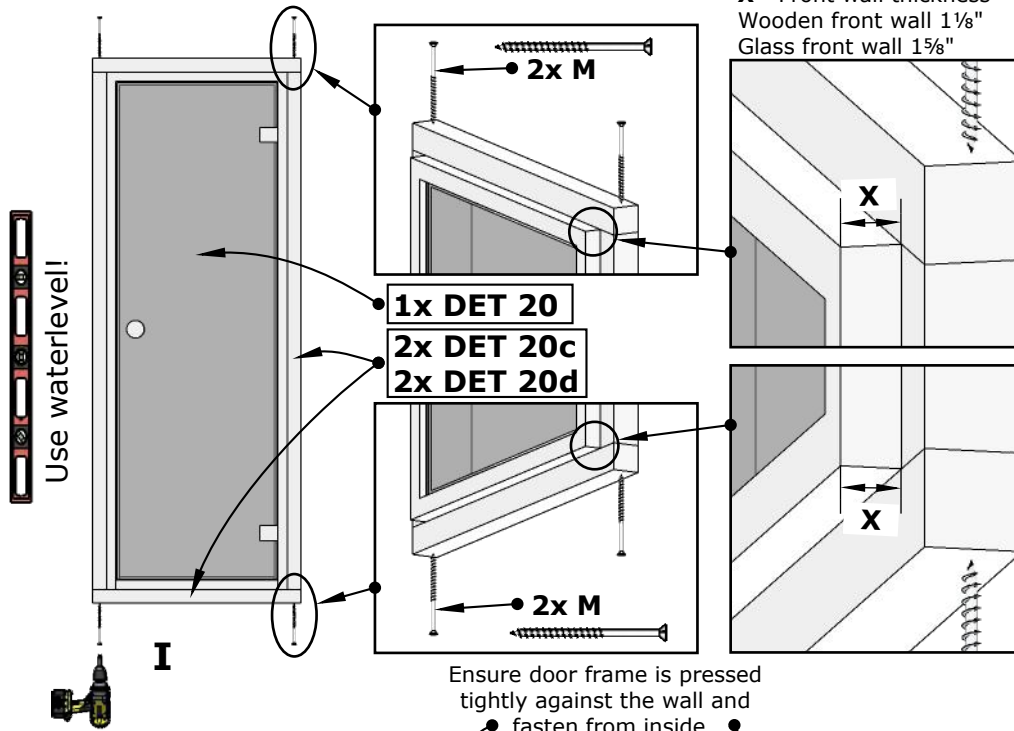


# E8 Barrel Sauna 87D" x 81H"

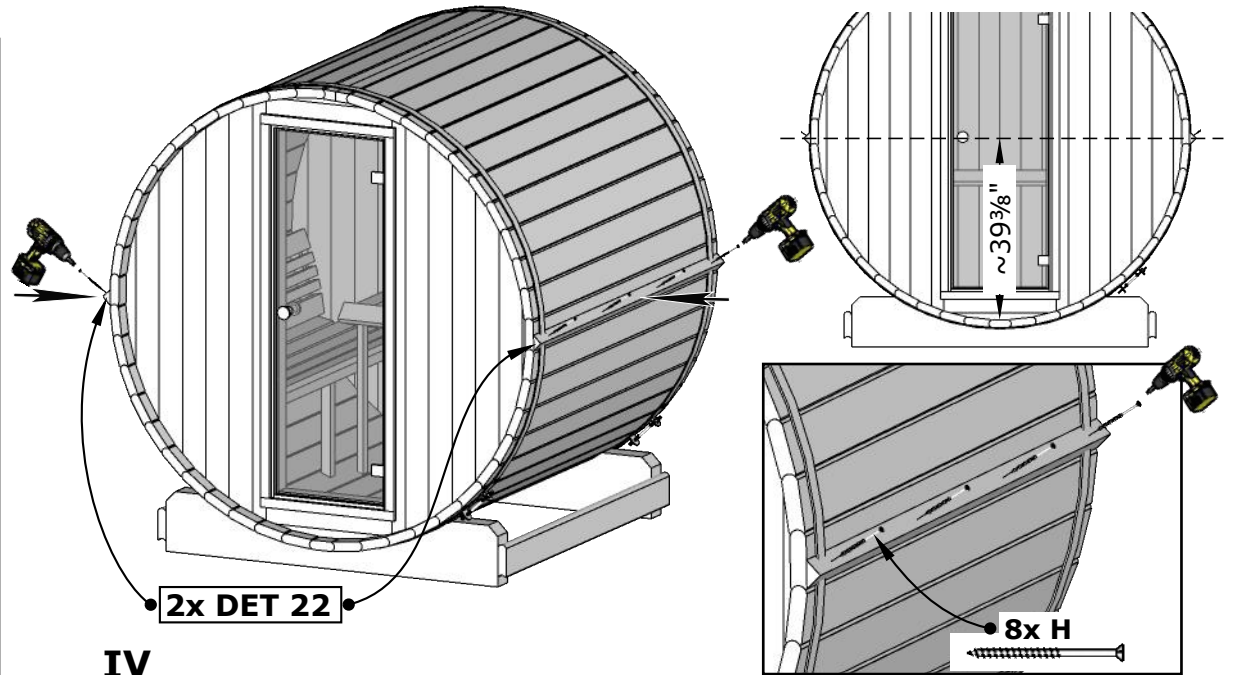
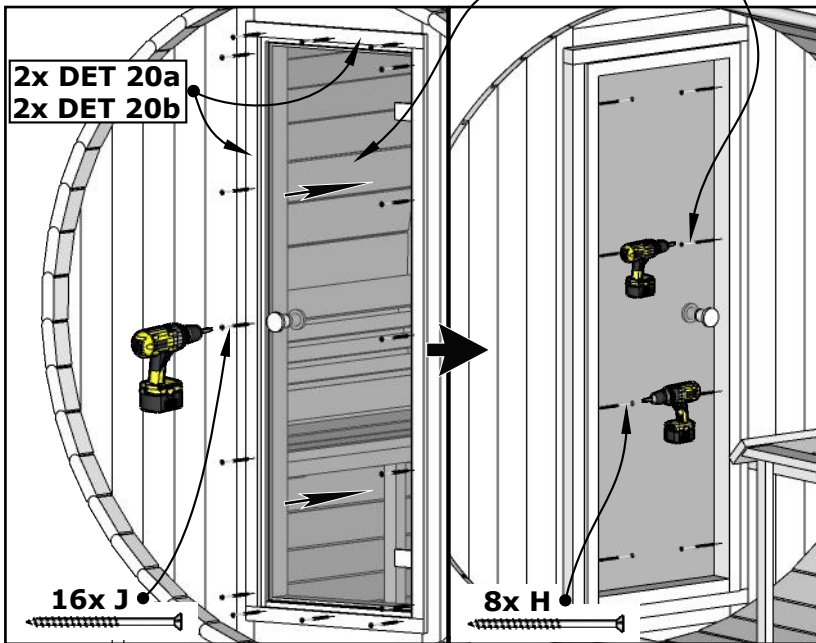
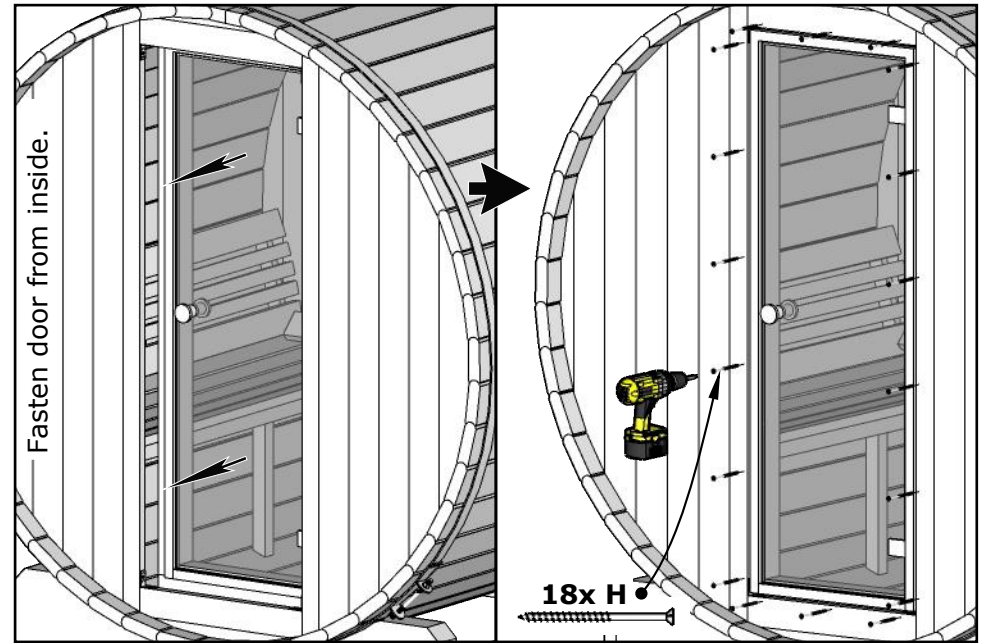




# E8 Barrel Sauna 87D" x 81H"

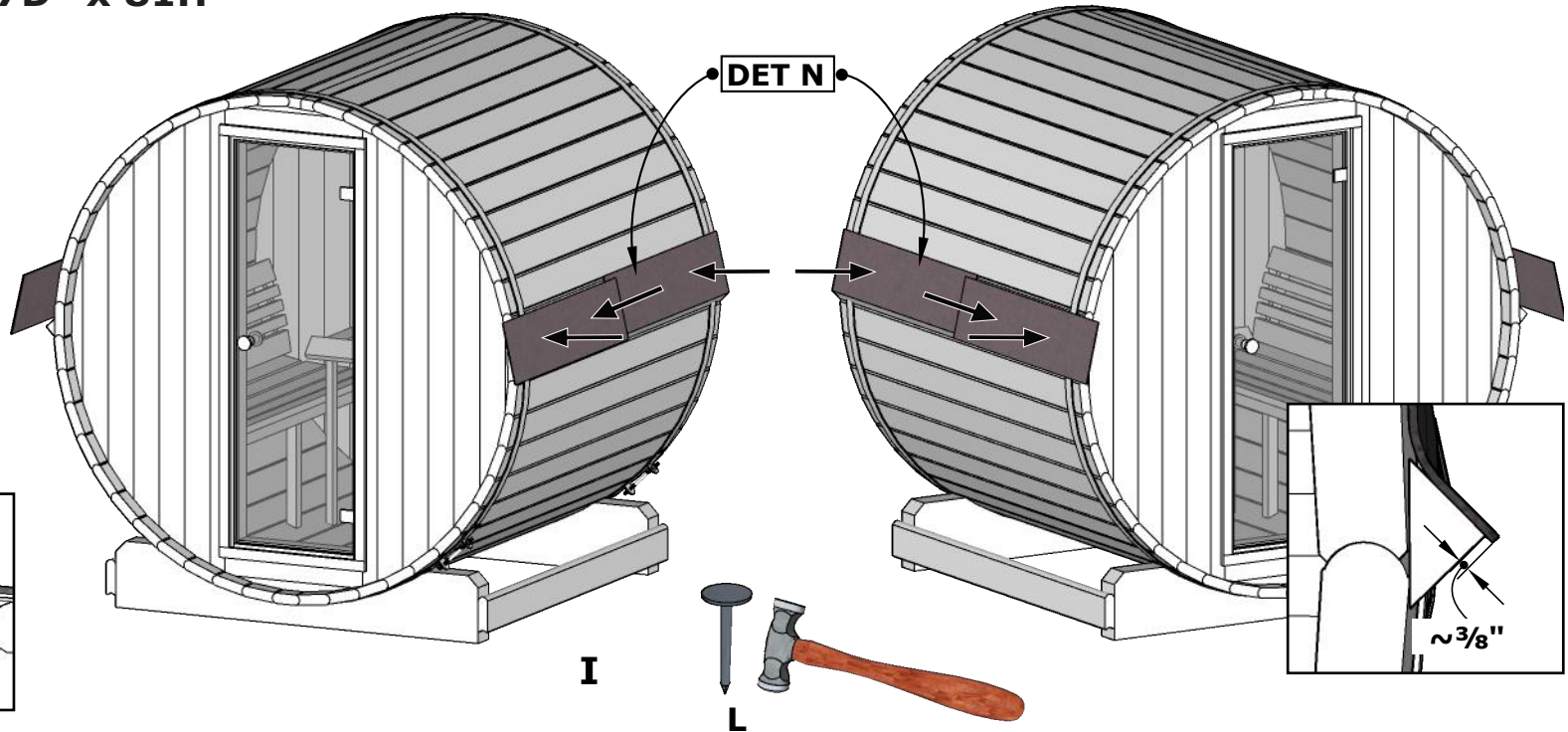
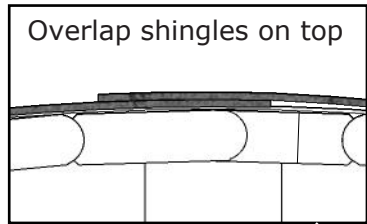


Ensure door frame is pressed tightly against the wall and fasten from inside

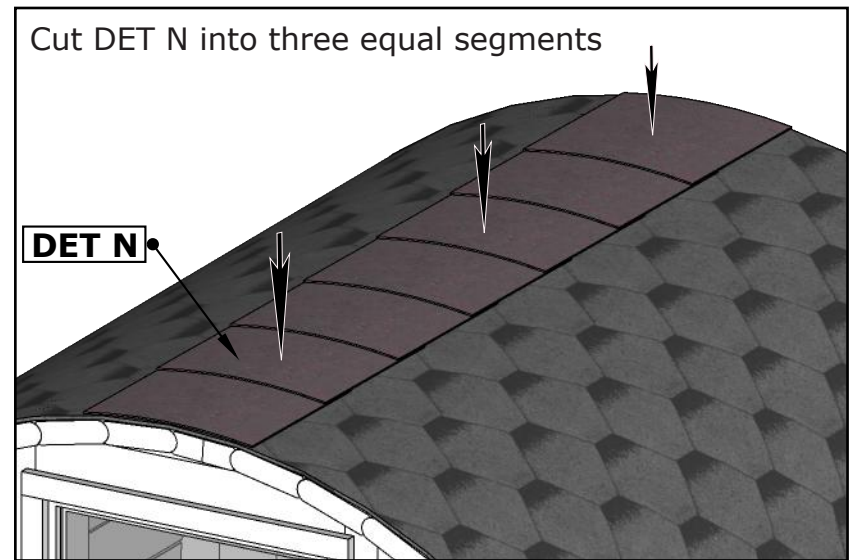
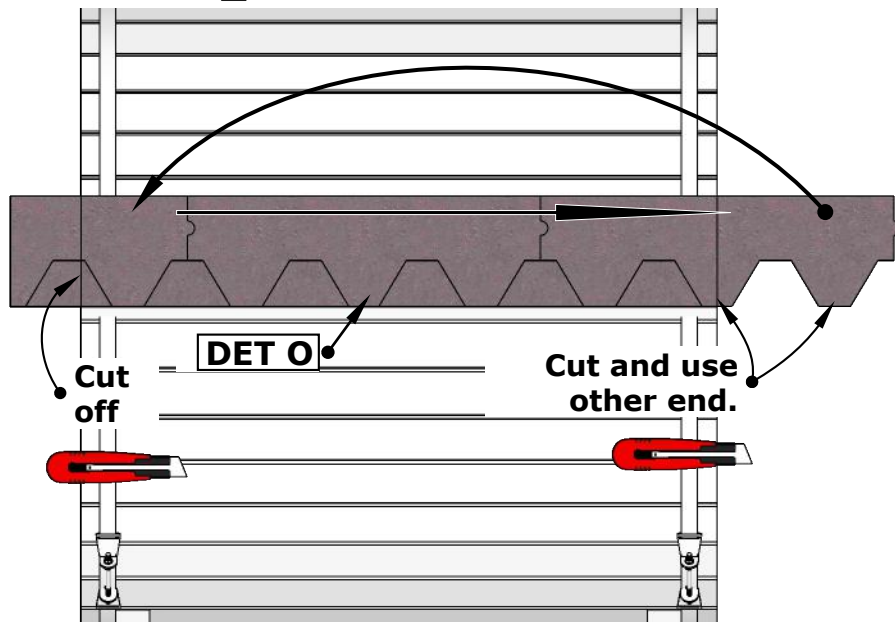


# E8 Barrel Sauna 87D" x 81H"

See the installation manual inside the shingles package



Check also roof shingles installation manual inside package.



# E8 Barrel Sauna 87D" x 81H"

