

# *RC HomeDecor*

*Home at its best!*

## **Power Solution**

By Chasryan LLC

**Contact:**  
Ryan Sankar  
832-518-8942  
Chasryanllc@gmail.com  
<https://rc-homedecor.com/>



# iPanda

Our factory is the FIRST to get the Qi certification, as well as the USB 65W and wireless charging together.



We are proud to offer a UL962A/CUL962A standard for this item.  
iPanda has been designed to charge the latest Qi enabled devices by simply placing the device on the module.

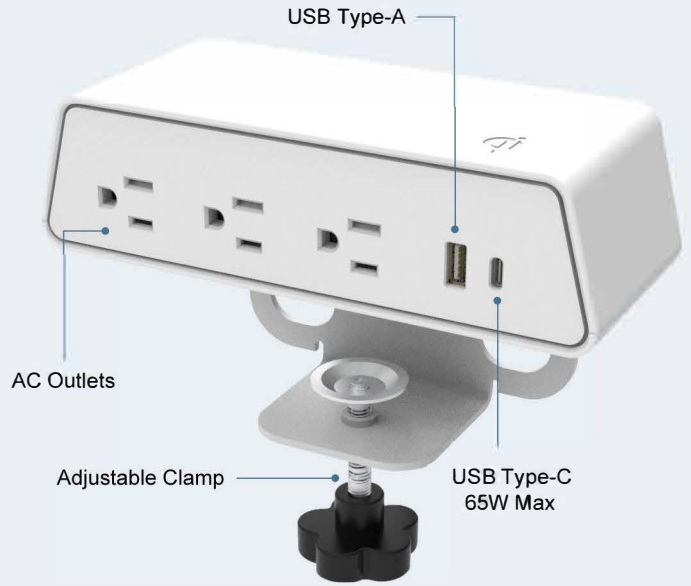
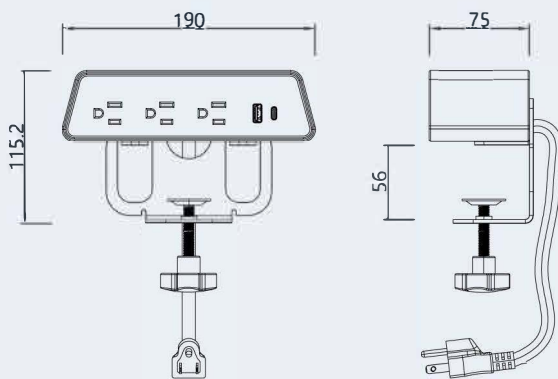
# RC002.3A1U1C

## Standard Color



## Features

Edge mount 3A1U1C power socket with a built-in wireless charger.



## Certifications



## Warranty

3 years, parts only



## Specifications

<b>Ports</b>	<b>AC Outlets</b> 3xNEMA 5-15R <b>USB Ports</b> 1xUSB-A, 1xUSB-C
<b>Cord</b>	<b>Length</b> 5'8" (172.7cm)
<b>Electrical Rating</b>	<b>Power Outlets</b> 120V AC; 60Hz (15A max) <b>USB Ports</b> Support: PD3.0+PPS, QC 3.0 1) USB-A: 5V-3A; 9V-2A; 12V-1.5A QC 3.0 2) USB-C: 5V-A; 9V-2A; 12V-2A; 15V-3A; 20V-3.25A PD3.0 PPS 3.3-15V-3A USB-A + USB-C: 5V/3A (45W)
<b>Environmental</b>	<b>Temperature Operating</b> 0°C to 30°C <b>Temperature Operating Storage</b> -10°C to 50°C
<b>Quick Charging Support Protocol</b>	<b>Type A QC 2.0、3.0</b> Apple2.4A、 Samsung5V 2A、 QC3.0 3.6V~12V、 DCP1.5A、 QC2.0 9V12V、 Samsung AFC 9V12VS <b>Type C PD 3.0</b> Apple2.4A、 Samsung5V 2A、 QC3.0 3.6VT2V、 DCP1.5A、 QC2.0 9V12V、 Samsung AFC 9V12V. <b>Qi Wireless Charge</b> With wireless charging functions of 5W, 7.5W, 10W and 15W, it can automatically identify the highest power output according to the wireless charging protocol of the charged device.
<b>Package</b>	1Pc/Box; 20Pcs/Ctn; 4800Pcs/20'GP

# RC001.2A2U1C

## Standard Color

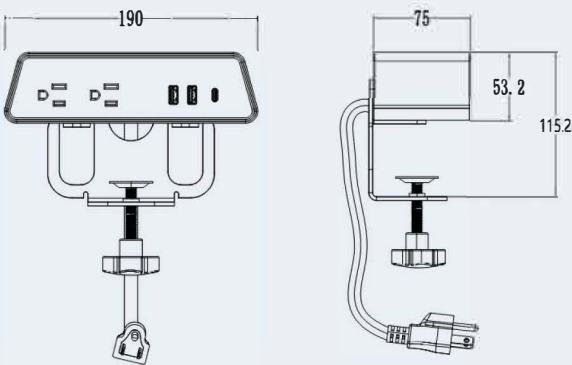


BK

WH

## Features

Edge mount 2A2U1C power socket with a built-in wireless charger.



## Certifications



## Warranty

· 3 years, parts only



## Specifications

<b>Ports</b>	<b>AC Outlets</b> 2xNEMA 5-15R <b>USB Ports</b> 2xUSB-A, 1xUSB-C
<b>Cord</b>	<b>Length</b> 5'8" (172.7cm)
<b>Electrical Rating</b>	<b>Power Outlets</b> 120V AC; 60Hz (15A max) <b>USB Ports</b> Support: PD3.0+PPS, QC 3.0 1) USB-A: 5V-3A; 9V-2A; 12V-1.5A QC 3.0 2) USB-C: 5V-A; 9V-2A; 12V-2A; 15V-3A; 20V-3.25A PD3.0 PPS 3.3-15V-3A USB-A + USB-C: 5V/3A (45W)
<b>Environmental</b>	<b>Temperature Operating</b> 0°C to 30°C <b>Temperature Operating Storage</b> -10°C to 50°C
<b>Quick Charging Support Protocol</b>	<b>Type A QC 2.0、3.0</b> Apple2.4A、 Samsung5V 2A、 QC3.0 3.6V ~12V、 DCP1.5A、 QC2.0 9V12V、 Samsung AFC 9V12VS <b>Type C PD 3.0</b> Apple2.4A、 Samsung5V 2A、 QC3.0 3.6VT2V、 DCP1.5A、 QC2.0 9V12V、 Samsung AFC 9V12V、 PD3.0 PPS 65W <b>Qi Wireless Charge</b> With wireless charging functions of 5W, 7.5W, 10W and 15W, it can automatically identify the highest power output according to the wireless charging protocol of the charged device.
<b>Package</b>	1Pc/Box; 20Pcs/Ctn; 4800Pcs/20'GP

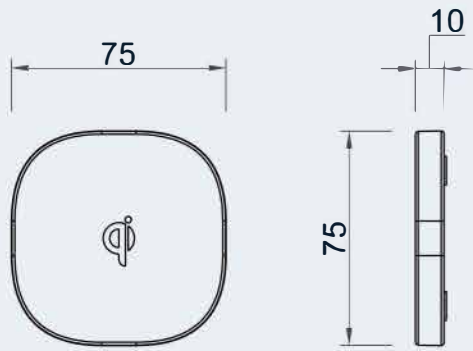
# RC009

## Standard Color



## Features

Qi wireless charger makes wireless charging a snap.



## Certifications



## Warranty

· 3 years, parts only



## Specifications

<b>Ports</b>	Wireless
<b>Cord</b>	Length 3'9"(100cm)
<b>Electrical Rating</b>	Qi wireless charge, Max 15w
<b>Environmental</b>	Temperature Operating 0°C to 30°C Temperature Operating Storage -10°C to 50°C
<b>Package</b>	1Pc/Box; 100Pcs/Ctn; 62400Pcs/20'GP

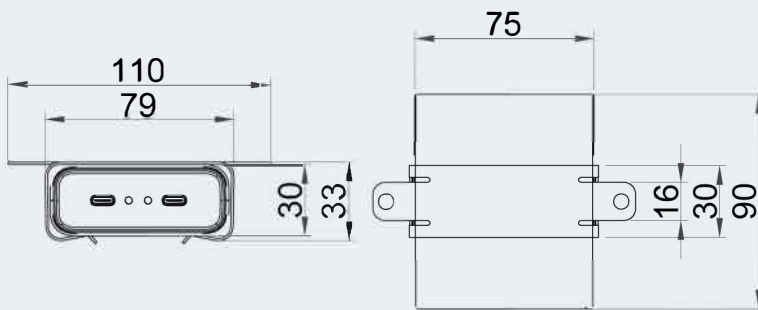
# RC020

## Standard Color



## Features

MiraHub has two mounting styles to easily blend into your work surface and bring power where you need it. Whether put on top of your work surface or hanging out below, MiraHub's subtle design easily powers tablets, cell phones, and more.



## Certifications



## Warranty

· 3 years, parts only



## Specifications

<b>Ports</b>	2XUSB-C
<b>Cord</b>	3'11"(120cm)
<b>Electrical Rating</b>	<b>USB Ports</b> 1)USB-C1: 5V 3A,9V 3A, 12V 3A,15V 3A,20V 3.25A 65W 2)USB-C2: 5V 3A,9V 3A, 12V 3A,15V 3A,20V 3.25A 65W Both ports connected USB-C1: 5V 3A,9V 3A,12V 2.5A,15V 2.0A,20V 1.5A 30W USB-C2: 5V 3A,9V 3A,12V 2.5A,15V 2.0A,20V 1.5A 30W
<b>Environmental</b>	<b>Temperature Operating</b> 0°C to 30°C <b>Temperature Operating Storage</b> -10°C to 50°C
<b>Package</b>	1Pc/Box

# Oval

The Oval series features outlets that deliver AC power for high power devices, as well innovative USB port.

Each USB port utilizes a smart device recognition chip to monitor and independently deliver the required amperage to your devices ,charge them in half the time and save more time for users.



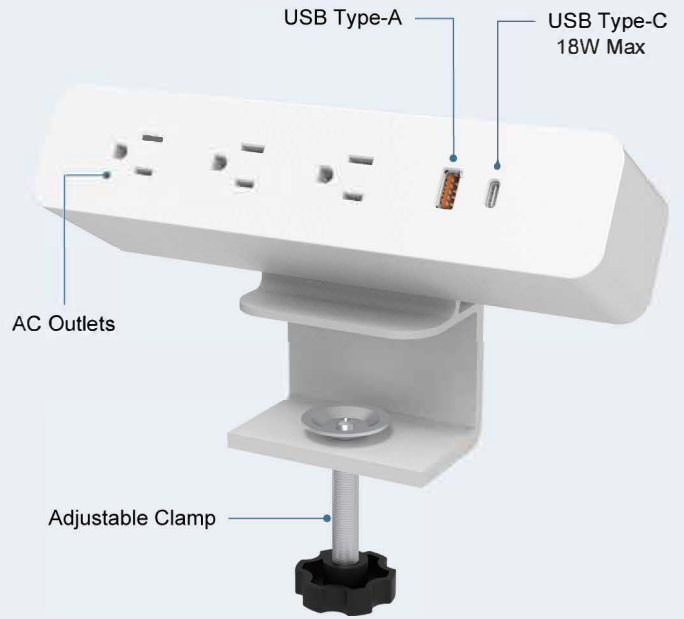
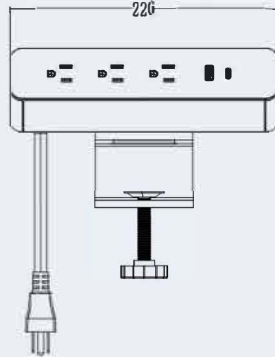
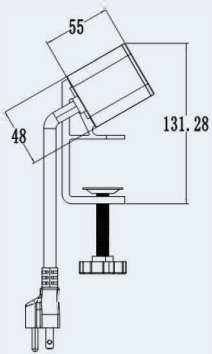
# RC005.3A1U1C.1

## Standard Color



## Features

- Three AC outlets, a standard USB-A port and a tech-forward USB-C port for powering all the newest tech devices.
- Smart power distribution technology balances power delivery to devices base on the ports in use, preventing overcharging and short-circuiting.
- Installation option: side clamp for easy, quick and tool-free installation.



## Certifications



## Warranty

- 3 years, parts only



## Specifications

<b>Ports</b>	AC Outlets 3xNEMA 5-15R USB Ports 1xUSB-A, 1xUSB-C
<b>Cord</b>	Length 5'8" (172.7cm)
<b>Electrical Rating</b>	Input Voltage 120VAC, 60Hz, (12A max) USB Ports Connected to one of the two ports 1) USB-A: 5V3A, 9V2A, 12V1.5A (18W max), QC 2.0/3.0 2) USB-C: 5V3A, 9V2A, 12V1.5A (18W max), PD 3.0 Both ports connected USB-A and USB-C: 5V/3A (15W max)
<b>Environmental</b>	Temperature Operating 0°C to 30°C Temperature Operating Storage -10°C to 50°C
<b>Package</b>	1Pc/Box, 12Pcs/Ctn; 5200Pcs/20'GP

## Available Models



OME005.3A1U1C.2



OME005.3A1U1C.3



OME005.3A1U1C.4



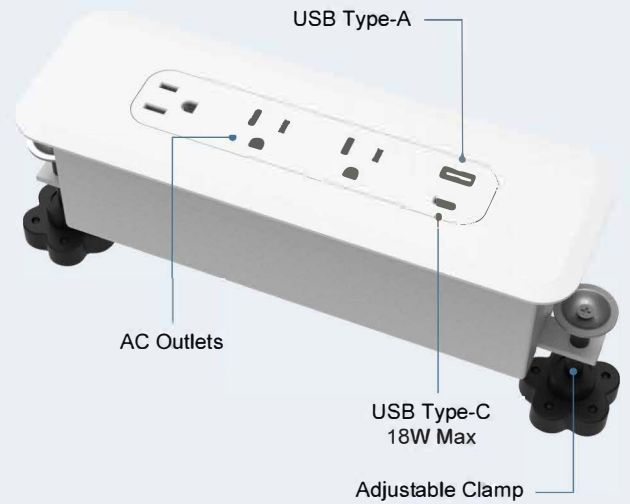
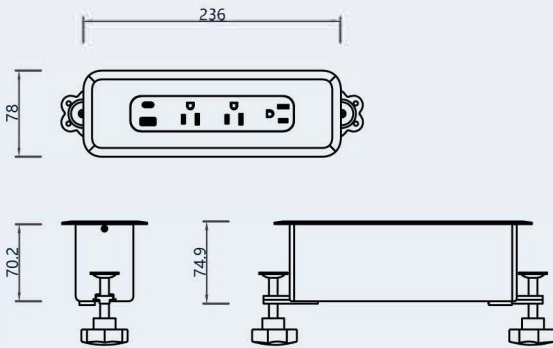
# RC003.3A1U1C.1

## Standard Color



## Features

- Three AC outlets, a standard USB-A port and a tech-forward USB-C port for powering all the newest tech devices.
- Smart power distribution technology balances power delivery to devices base on the ports in use, preventing overcharging and short-circuiting.
- Installation option: recessed in desktop.



## Certifications



## Warranty

- 3 years, parts only



## Specifications

<b>Ports</b>	<b>AC Outlets</b> 3xNEMA 5-15R <b>USB Ports</b> 1xUSB-A, 1xUSB-C
<b>Cord</b>	<b>Length</b> 5'8" (172.7cm)
<b>Electrical Rating</b>	<b>Input Voltage</b> 120VAC, 60Hz, (12A max) <b>USB Ports</b> Connected to one of the two ports 1) USB-A: 5V3A, 9V2A, 12V1.5A (18W max), QC 2.0/3.0 2) USB-C: 5V3A, 9V2A, 12V1.5A (18W max), PD 3.0 Both ports connected USB-A and USB-C: 5V/3A (15W max)
<b>Environmental</b>	<b>Temperature Operating</b> 0°C to 30°C <b>Temperature Operating Storage</b> -10°C to 50°C
<b>Package</b>	1Pc/Box, 10Pcs/Ctn; 4100Pcs/20'GP

## Available Models



OME003.3A1U1C.3



OME003.3A1U1C.4



OME003.3A1U1C.5

# Create



The Create series is offered in a side clamp, under option, with UL 962A and CUL 962A certification.

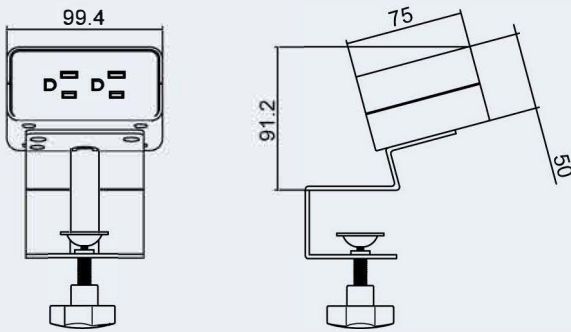
# RC-2A

## Standard Color



## Features

- 2 Power Sockets
- Installation option: side clamp for easy, quick and tool-free installation



## Certifications



## Warranty

- 3 years, parts only



## Specifications

<b>Ports</b>	AC Outlets 2xNEMA 5-15R
<b>Cord</b>	Length 5'8" (172.7cm)
<b>Electrical Rating</b>	Input Voltage 120VAC,60Hz,(12A max)
<b>Environmental</b>	Temperature Operating 0°C to 30°C Temperature Operating Storage -10°C to 50°C
<b>Package</b>	1Pc/Box,16Pcs/Ctn; 7200Pcs/20'GP

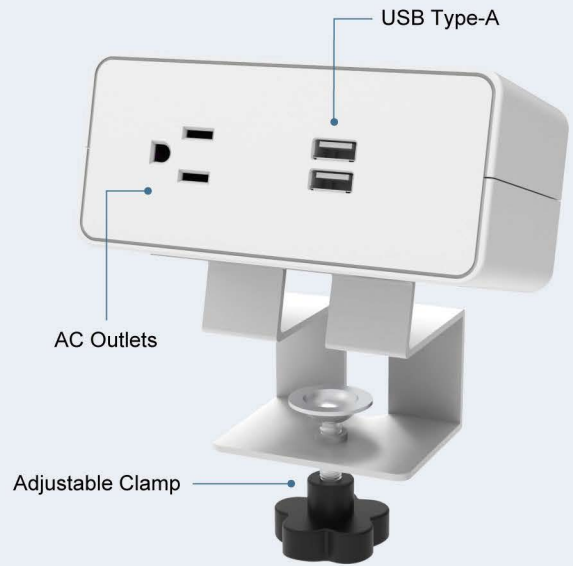
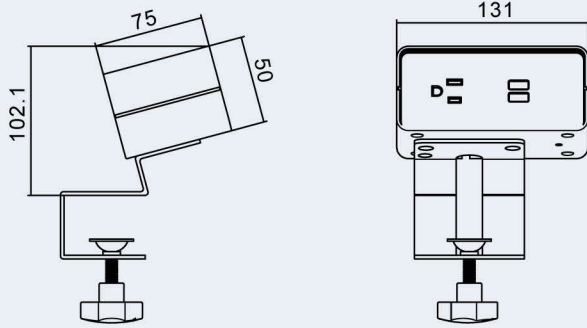
# OM-1A2U

## Standard Color



## Features

- 1 Power Sockets + 2 USB
- Installation option: side clamp for easy, quick, and tool-free installation



## Certifications



## Warranty

- 3 years, parts only



## Specifications

<b>Ports</b>	<b>AC Outlets</b> 1xNEMA 5-15R <b>USB Ports</b> 2xUSB-A
<b>Cord</b>	<b>Length</b> 5'8" (172.7cm)
<b>Electrical Rating</b>	<b>Input Voltage</b> 120VAC, 60Hz, (12A max) <b>USB Ports</b> Connected to one of the two ports USB-A: 5V/3A, 9V/2A, 12V/1.5A (15W max) Both ports connected USB-A: 5V/1.5A (10W max)
<b>Environmental</b>	<b>Temperature Operating</b> 0°C to 30°C <b>Temperature Operating Storage</b> -10°C to 50°C
<b>Package</b>	1Pc/Box, 16Pcs/Ctn; 7200Pcs/20'GP

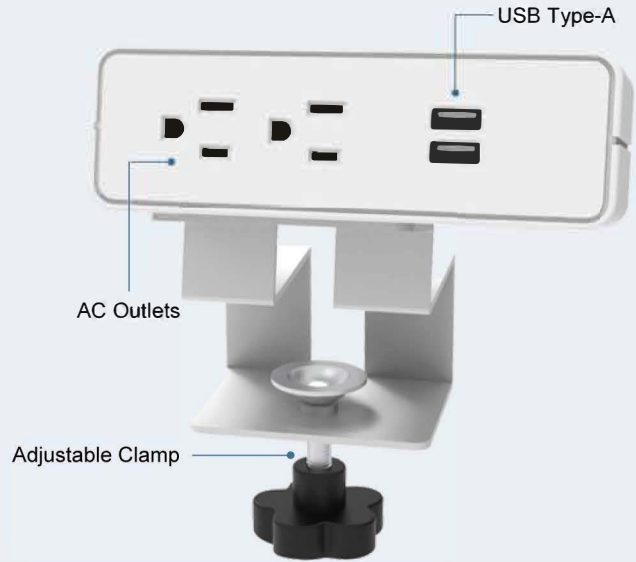
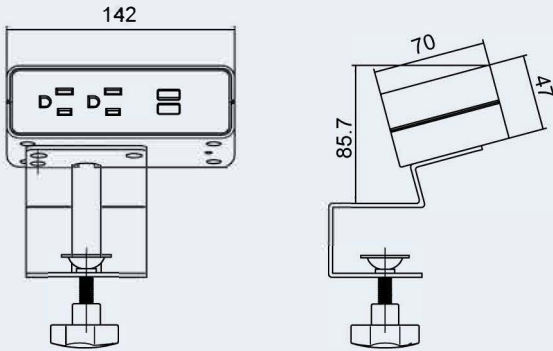
# RC-2A2U

## Standard Color



## Features

- 2 Power Sockets + 2 USB
- Installation option: side clamp for easy, quick, and tool-free installation



## Certifications



## Warranty

- 3 years, parts only



## Specifications

<b>Ports</b>	<b>AC Outlets</b> 2xNEMA 5-15R <b>USB Ports</b> 2xUSB-A
<b>Cord</b>	<b>Length</b> 5'8" (172.7cm)
<b>Electrical Rating</b>	<b>Input Voltage</b> 120VAC, 60Hz, (12A max)  <b>USB Ports</b> Connected to one of the two ports USB-A: 5V/3A, 9V/2A, 12V/1.5A (15W max) Both ports connected USB-A: 5V/1.5A (10W max)
<b>Environmental</b>	<b>Temperature Operating</b> 0°C to 30°C  <b>Temperature Operating Storage</b> -10°C to 50°C
<b>Package</b>	1Pc/Box, 16Pcs/Ctn; 7200Pcs/20'GP

# RC-2A1U1C

## Standard Color

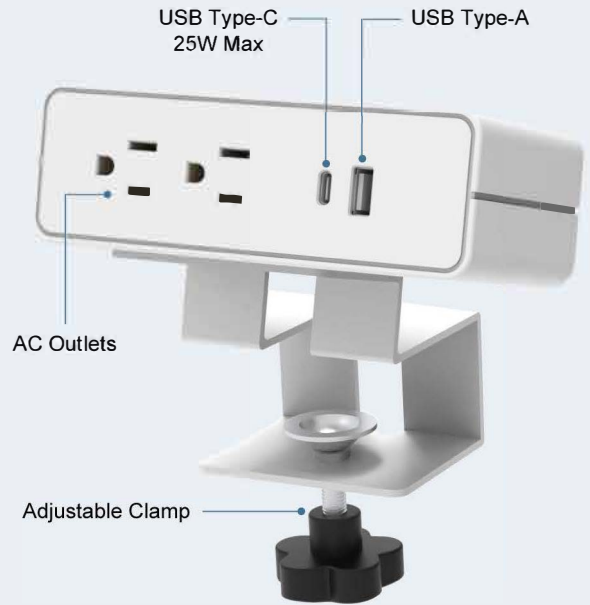
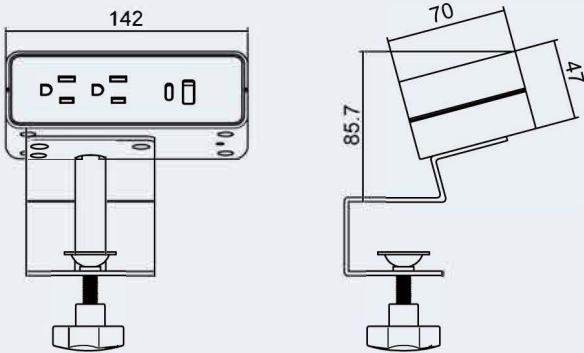


BK

WH

## Features

- 2 Power Sockets + 1 USB + 1 Type-C
- Installation option: side clamp for easy, quick, and tool-free installation



## Certifications



## Warranty

· 3 years, parts only



## Specifications

<b>Ports</b>	<b>AC Outlets</b> 2xNEMA 5-15R <b>USB Ports</b> 1xUSB-A, 1xUSB-C
<b>Cord</b>	<b>Length</b> 5'8" (172.7cm)
<b>Electrical Rating</b>	<b>Input Voltage</b> 120VAC, 60Hz, (12A max) <b>USB Ports</b> Connected to one of the two ports 1) USB-A: 5V/3A, 9V/2A, 12V/1.5A (15W max) 2) USB-C: 5V/3A, 9V/2.2A, 15V/1.4A, 20V/1.25A (25W max) Both ports connected USB-A: 5V/1.5A (10W max) USB-C: 5V/2.0A (10W max)
<b>Environmental</b>	<b>Temperature Operating</b> 0°C to 30°C <b>Temperature Operating Storage</b> -10°C to 50°C
<b>Package</b>	1Pc/Box, 16Pcs/Ctn; 7200Pcs/20'GP

# Power Strip

Omni creates a stylish and modern look, provides users with multiple points of power access by offering AC receptacles alongside dual USB charging ports.



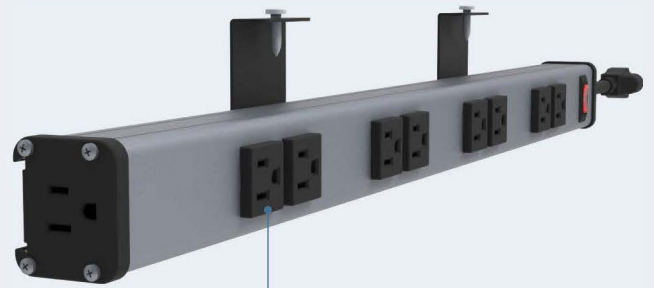
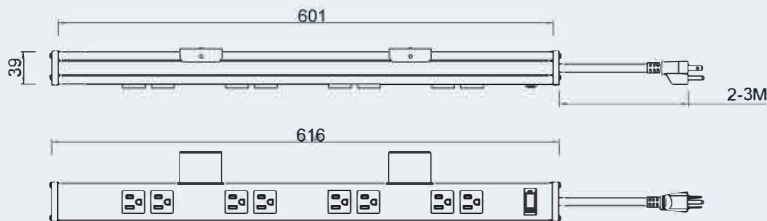
# OME10A

## Standard Color



## Features

- Power strip power cable management solution, easily connect in series between the power bars.
- Made of aluminum alloy, sturdy metal housing is durably constructed.
- Smooth design with customized multiple outlets, such as 6,8,10 outlets, meets your demand to charge many devices simultaneously.
- Easy to install, mounting brackets allows you to secure your power bar almost anywhere.
- On/Off Switch with Built In Circuit Breaker. Optional surge circuit protection.



AC Outlets

## Certifications



## Warranty

· 3 years, parts only



## Specifications

<b>Ports</b>	<b>AC Outlets</b> 6/8/10 x AC Power
<b>Cord</b>	<b>Length</b> 5'8" (172.7cm)
<b>Electrical Rating</b>	<b>Input Voltage</b> 120VAC, 60Hz, 15A max
<b>Environmental</b>	<b>Temperature Operating</b> 0°C to 30°C <b>Temperature Operating Storage</b> -10°C to 50°C
<b>Package</b>	1Pc/Box; 30Pcs/Ctn; 6450Pcs/20'GP



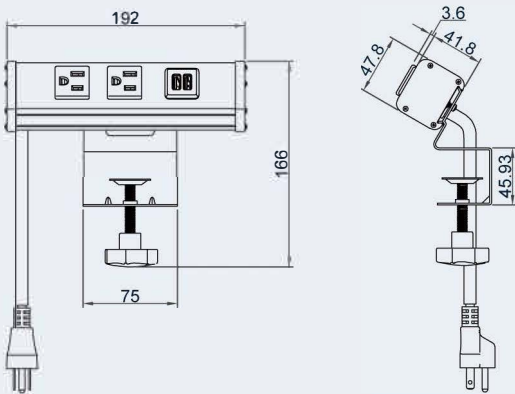
# OME010BS

## Standard Color



## Features

Omni creates a stylish and modern look, provides users with multiple points of power access by offering AC receptacles alongside dual USB charging ports.



## Certifications



## Warranty

· 3 years, parts only



## Specifications

<b>Ports</b>	<b>AC Outlets</b> 2×NEMA 5-15R
	<b>USB Ports</b> 2×USB-A
<b>Cord</b>	<b>Length</b> 5'8" (172.7cm)
<b>Electrical Rating</b>	<b>Input Voltage</b> 120VAC, 60Hz, 15A max
	<b>USB Ports:</b> USB-A: 5V 3A, 9V 2A, 12V 1.5A
<b>Environmental</b>	<b>Temperature Operating</b> 0°C to 30°C
	<b>Temperature Operating Storage</b> -10°C to 50°C
<b>Package</b>	1Pc/Box; 12Pcs/Ctn

# Power Linker

Power Linker is designed for easily access to the power and data in common areas and public environments. It is the ultimate power & charging hub as it is equipped with AC outlets, USB Type-A and USB Type-C charging ports that are easily accessible from all directions.



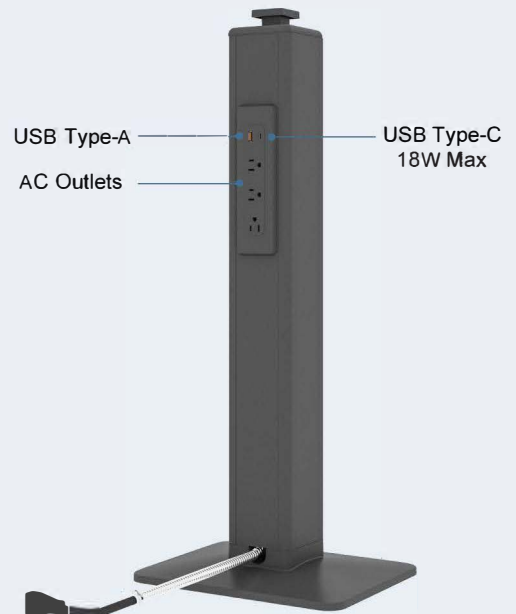
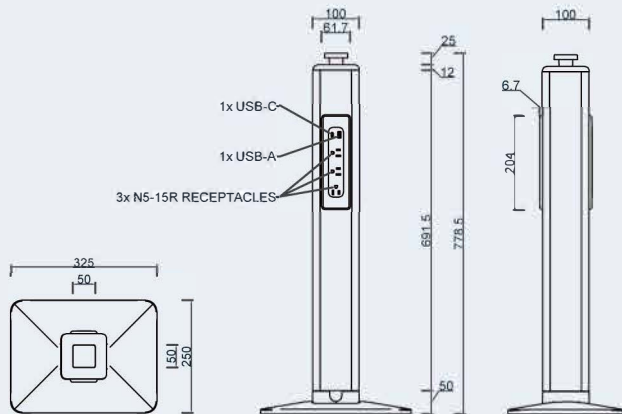
# PBK-1WAY

## Standard Color



## Features

The Power Linker is an elegant solution supplying all work areas with power and data. Interchangeable modules for plug and data ensure unlimited flexibility for future requirements at the workspace.



## Certifications



## Warranty

· 3 years, parts only



## Specifications

<b>Ports</b>	AC Outlets 3xNEMA 5-15R USB Ports 1xUSB-A, 1xUSB-C
<b>Cord</b>	Length 5'8" (172.7cm)
<b>Electrical Rating</b>	Input Voltage 120VAC, 60Hz, (12A max)  USB Ports Connected to one of the two ports 1) USB-A: 5V/3A, 9V/2A, 12V/1.5A (18W max), QC 2.0/3.0 2) USB-C: 5V/3A, 9V/2A, 12V/1.5A (18W max), PD 3.0 Both ports connected USB-A and USB-C: 5V/3A (15W max)
<b>Environmental</b>	Temperature Operating 0°C to 30°C  Temperature Operating Storage -10°C to 50°C
<b>Package</b>	1Pc/Ctn; 370Pcs/20'GP

## Available Models



PBK-1WAY-10

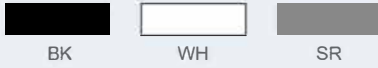
PBK-2WAY-20

PBK-3WAY-30

PBK-4WAY-40

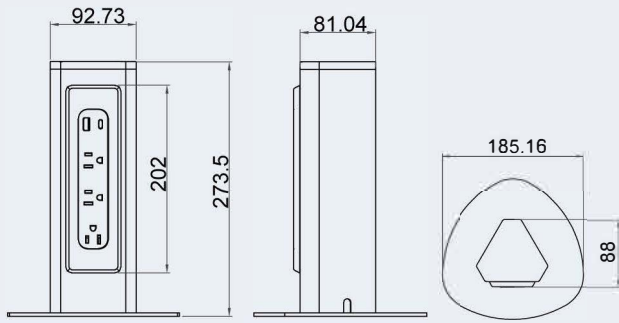
# PS11

## Standard Color



## Features

Power linker is designed for easily access to the power and data freestanding on the desk. It is the ultimate power & charging hub as it is equipped with AC outlets, USB Type-A and USB Type-C charging ports that are easily accessible from all directions. It could be widely used in the office, meeting room, leisure area, reception area, or at home.



## Certifications



## Warranty

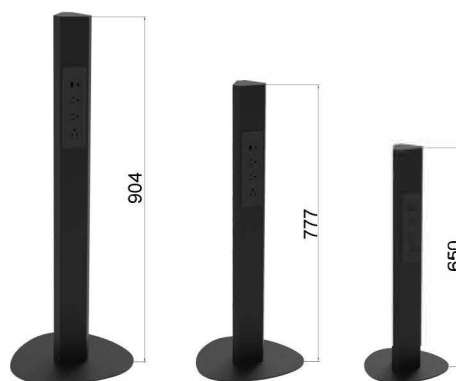
· 3 years, parts only



## Specifications

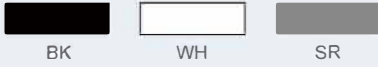
<b>Ports</b>	<b>AC Outlets</b> 3xNEMA 5-15R <b>USB Ports</b> 1xUSB-A, 1xUSB-C
<b>Cord</b>	<b>Length</b> 5'8" (172.7cm)
<b>Electrical Rating</b>	<b>Input Voltage</b> 120VAC, 60Hz, (12A max) <b>USB Ports</b> Connected to one of the two ports 1) USB-A: 5V3A, 9V2A, 12V1.5A (18W max), QC 2.0/3.0 2) USB-C: 5V3A, 9V2A, 12V1.5A (18W max), PD 3.0 Both ports connected USB-A and USB-C: 5V/3A (15W max)
<b>Environmental</b>	<b>Temperature Operating</b> 0°C to 30°C <b>Temperature Operating Storage</b> -10°C to 50°C
<b>Package</b>	1Pc/Ctn; 3000Pcs/20'GP

## Height Option



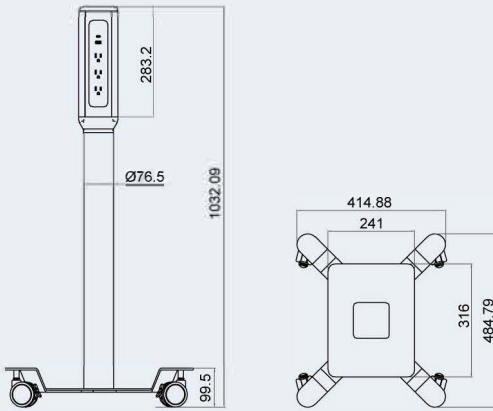
# PS03

## Standard Color

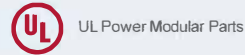


## Features

Power Linker is designed for easily access to the power and data in common areas and public environments. It is the ultimate power & charging hub as it is equipped with AC outlets, USB Type-A and USB Type-C charging ports that are easily accessible from all directions. It is designed with aluminum body and sturdy steel base with movable casters for product security and mobility.



## Certifications



## Warranty

· 3 years, parts only



## Specifications

<b>Ports</b>	<b>AC Outlets</b> 3xNEMA 5-15R <b>USB Ports</b> 1xUSB-A, 1xUSB-C
<b>Cord</b>	<b>Length</b> 5'8" (172.7cm)
<b>Electrical Rating</b>	<b>Input Voltage</b> 120VAC, 60Hz, (12A max) <b>USB Ports</b> Connected to one of the two ports 1) USB-A: 5V3A, 9V2A, 12V1.5A (18W max), QC 2.0/3.0 2) USB-C: 5V3A, 9V2A, 12V1.5A (18W max), PD 3.0 Both ports connected USB-A and USB-C: 5V/3A (15W max)
<b>Environmental</b>	<b>Temperature Operating</b> 0°C to 30°C <b>Temperature Operating Storage</b> -10°C to 50°C
<b>Package</b>	1Pc/Ctn; 330Pcs/20'GP

## Available Base



PS02

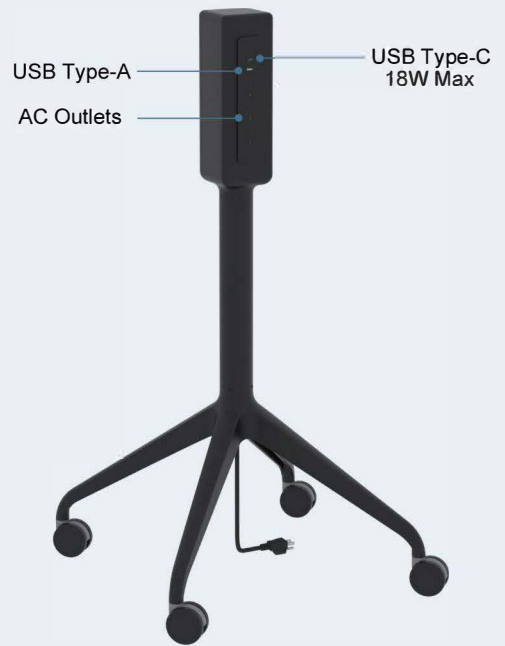
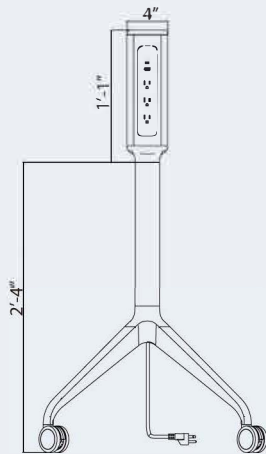
# PS13

## Standard Color



## Features

Power Linker is designed for easily access to the power and data in common areas and public environments. It is the ultimate power & charging hub as it is equipped with AC outlets, USB Type-A and USB Type-C charging ports that are easily accessible from all directions.



## Certifications



UL Power Modular Parts

## Warranty

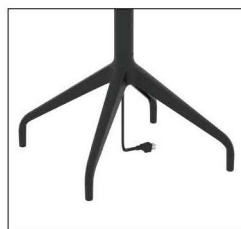
3 years, parts only



## Specifications

<b>Ports</b>	<b>AC Outlets</b> 3xNEMA 5-15R <b>USB Ports</b> 1xUSB-A, 1xUSB-C
<b>Cord</b>	<b>Length</b> 5'8" (172.7cm)
<b>Electrical Rating</b>	<b>Input Voltage</b> 120VAC, 60Hz, (12A max) <b>USB Ports</b> Connected to one of the two ports 1) USB-A: 5V3A, 9V2A, 12V1.5A (18W max), QC 2.0/3.0 2) USB-C: 5V3A, 9V2A, 12V1.5A (18W max), PD 3.0 Both ports connected USB-A and USB-C: 5V/3A (15W max)
<b>Environmental</b>	<b>Temperature Operating</b> 0°C to 30°C <b>Temperature Operating Storage</b> -10°C to 50°C
<b>Package</b>	1Pc/Ctn; 170Pcs/20'GP

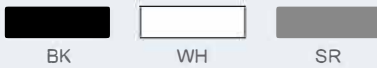
## Available Base



PS14

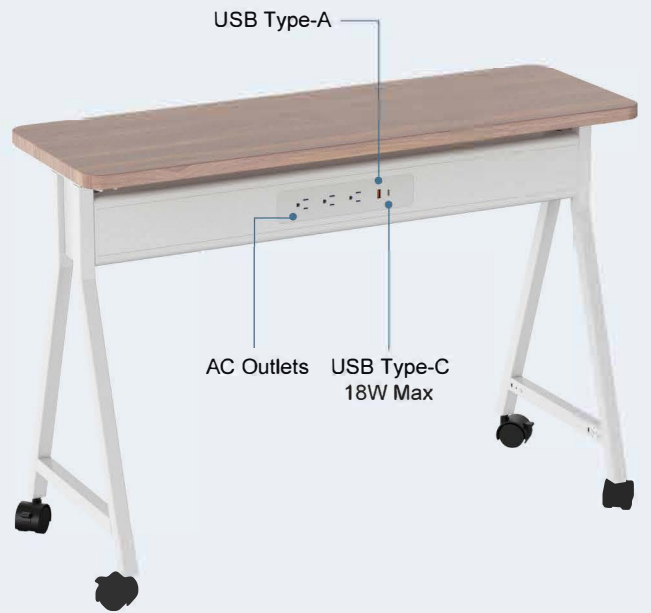
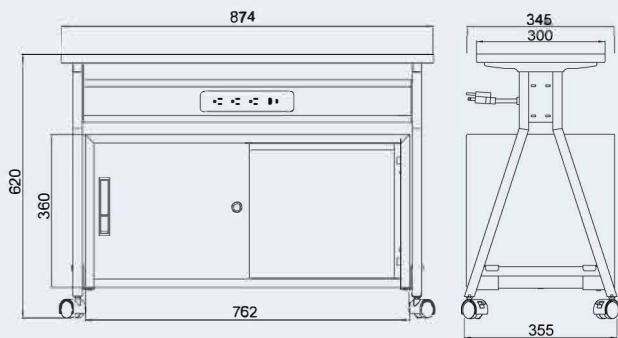
# PS15

## Standard Color

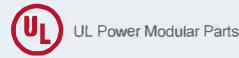


## Features

- The powerful and beautiful charging table is designed to meet diverse needs for office business, home, hotel etc.
- The charging table includes one power modular in the middle of beam, 3A and quick impur for USB-C 18W, outside anti-scratch aluminum material, UL962A certification.
- Easily mobile on four dual-wheel casters (four locking).
- The charging table features a lightweight aluminum alloy frame finished in powder-coated for long-term durability and easy-care.



## Certifications



## Warranty

· 3 years, parts only



## Specifications

<b>Ports</b>	<b>AC Outlets</b> 3xNEMA 5-15R <b>USB Ports</b> 1xUSB-A, 1xUSB-C
<b>Cord</b>	<b>Length</b> 5'8" (172.7cm)
<b>Electrical Rating</b>	<b>Input Voltage</b> 120VAC, 60Hz, (12A max) <b>USB Ports</b> Connected to one of the two ports 1) USB-A: 5V3A, 9V2A, 12V1.5A (18W max), QC 2.0/3.0 2) USB-C: 5V3A, 9V2A, 12V1.5A (18W max), PD 3.0 Both ports connected USB-A and USB-C: 5V/3A (15W max)
<b>Environmental</b>	<b>Temperature Operating</b> 0°C to 30°C <b>Temperature Operating Storage</b> -10°C to 50°C
<b>Package</b>	1Pc/Ctn; 420Pcs/20'GP Without Cabinet

## Available Models



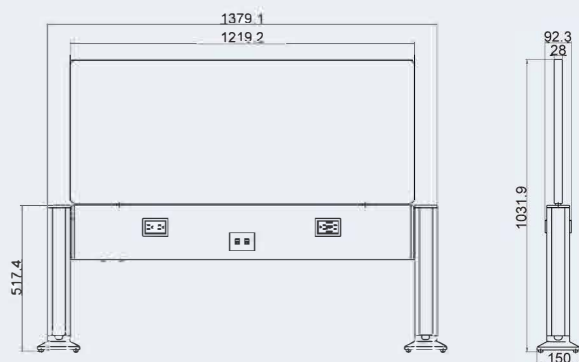
PS16

## Standard Color



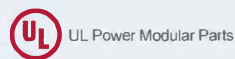
## Features

- Flexible power feeds of extension through flexible metal conduit.
- Four circuits with 4-line conductors, 2 neutrals and 2 grounds.
- Fourth circuit is isolated and dedicated.
- Shape: Straight, 2 way 90 degree, 3 way, 4 way.
- Separate cable/data channel that allows for lay-in cable runs.



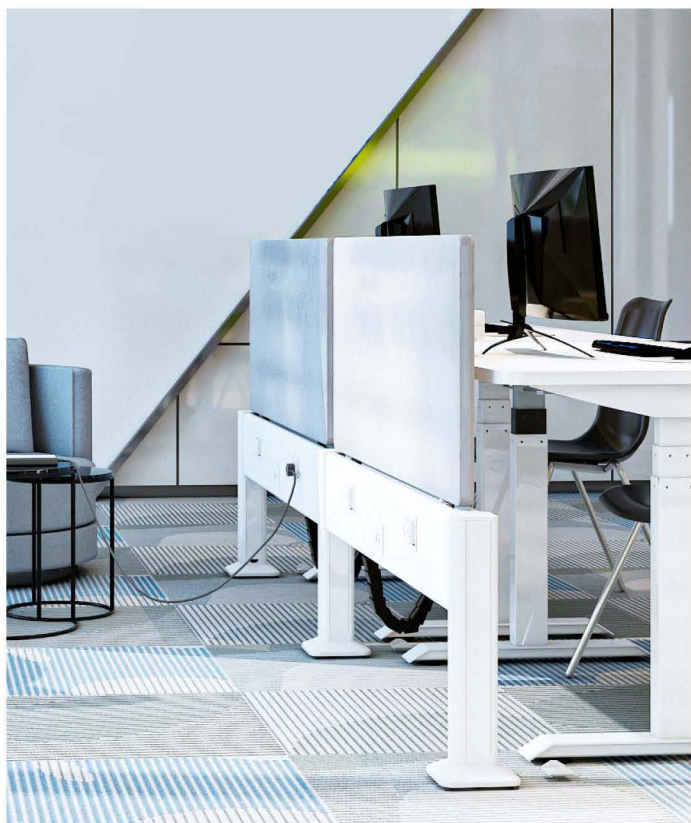
AC Outlets

## Certifications



## Warranty

· 3 years, parts only



## Specifications

### Ports

#### AC Outlets

4x 120 V A/C outlets

#### CAT6 Intranet Outlets

2x CAT6 intranet outlets

#### Base Infeed & Ceiling Infeed for Each Connection Beam Set

1x base power output  
1x ceiling power output

#### Jumper Festoon 22" for Extension Beams

2 station need 1pc  
3 station need 2pcs  
4 station need 4pcs

### Cord

#### Length

5'8" (172.7cm)

### Electrical Rating

Power connecting solution with UL certified ceiling feed & base feed for 8 wire 4circuit

### Environmental

#### Temperature Operating

0°C to 30°C

#### Temperature Operating Storage

-10°C to 50°C

### Package

1Set/Ctn (1xBeam+2xlegs)

## Flexible Configurations





## iPanda



OME002.3A1U1C



OME001.2A1U1C



OME009

## MiraHub



OME020

## Oval



OME005.3A1U1C.1



OME005.3A1U1C.2



OME005.3A1U1C.3



OME005.3A1U1C.4



OME005.3A1U1C.5



OME003.3A1U1C.1



OME003.3A1U1C.3



OME003.3A1U1C.4



OME003.3A1U1C.5

## Create



OM-2A



OM-1A2U



OM-2A2U



OM-2A1U1C

## Triones



OME015



OME021



OME025

## Power Strip



OME10A



OME010BS

## Power Linker



PBK-1WAY



PS03



PS11



PS13



PS15

## Docker



VPB

# *RC HomeDecor*

*Home at its best!*

By Chasryan LLC

**Contact:**

**Ryan Sankar**

**832-518-8942**

**Chasryanllc@gmail.com**

**<https://rc-homedecor.com/>**