



WINGCARRIER V3 INSTRUCTIONS



WHATSAPP



FACEBOOK MESSENGER



LIVE CHAT SUPPORT

IF YOU ARE MISSING ANY PARTS OF THE PRODUCT OR HAVING TROUBLES IN THE INSTALLATION PROCESS, PLEASE DO NOT RETURN THE PRODUCT BEFORE TEXTING US VIA THE QR CODES BESIDE. OUR LIVE AGENTS WILL BE HAPPY TO ASSIST YOU.

You can also e-mail us for any other questions or further assistance.

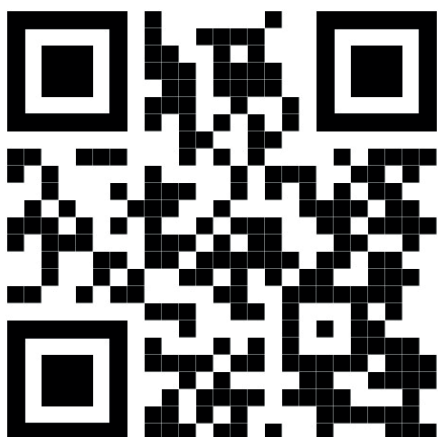
support@erkulauto.com

ATTENTION

- Don't cut the bars or scrape the plastic headers! These crossbars are vehicle specific and bar lengths vary by model.
- If one bar is longer than the other, the front of your vehicle is wider than the back.
- In this case, install the longer bar on the front and the shorter bar on the rear.
- If you can't fit it, there may be a point you missed.
- If you cut the bars and don't insert cross bars fully into the mount, the bars carrying capacity will decrease. In this case, Erkul Auto will not accept responsibility.
- If you need assistance please do not hesitate to contact us via your shopping channel.

For a smooth and easy installation process, please watch our installation video using the QR codes

Standard Installation
Video



Installation video for the ones
with extension part. (Kia Soul,
Mazda, etc.)



TIPS&TRICKS BEFORE YOU START

- It may be hard to insert aluminium bars to the plastic mounts. If you put a little pressure on the plastic ends from upside while inserting the bars, it will be much easier.
- Crossbars will be longer than needed if you can't insert the bars properly inside the plastic ends.
- If the mounting wholes on your roof are below the roof molding trims, you need to cut a small part where wholes are OR you can remove the whole trim.

PACKAGE INCLUDED



ASSEMBLY INSTRUCTION

1



- Remove protective sticker from the top and bottom of the bar before use.
- Check the lengths of the bars and use the long bar to the front if there is one.

2

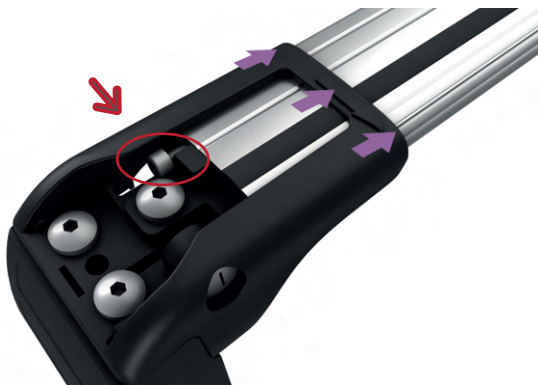


- Thick side of the bar should face the front of the vehicle.
- Refer to the individual brackets, marked L for left and R for right
- Rubber side has to face up.

3

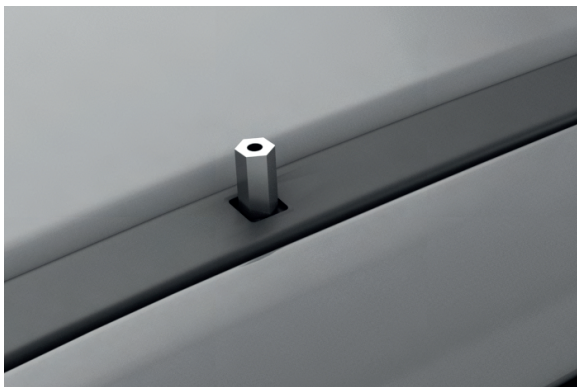
ASSEMBLY INSTRUCTION

3



- Insert bar into mount, depending on roof placement leaving an equal gap of 1-2 cm may occur.
- Please make sure that the marked screw is loosened before trying to insert bar to the exact correct position.

4 You should skip this step if you didn't receive this extension part. That means it is not needed for your car model.



- Place the extension part to the screw hole on your car. NOT all cars have that part.

ASSEMBLY INSTRUCTION

5



- Clean and dry the roof of the vehicle.
 - Recommended distance between the bars is 27 inches (70 cm)
 - Place 'C' piece inside 'D'
-

6



- Place "C" and "D" support pieces over the screw hole on your car and place your crossbar on top of these pieces.

ASSEMBLY INSTRUCTION

7



-Put the flat washer and insert the vertical screw to the down and find the screw hole at the bottom and tighten it.

8



-Tighten the horizontal screw to fixed the bar to the plastic.
-Do it also for other 3.

ASSEMBLY INSTRUCTION

9



- Place the cover and lock it.
- Do this step also for other 3 bars.

10



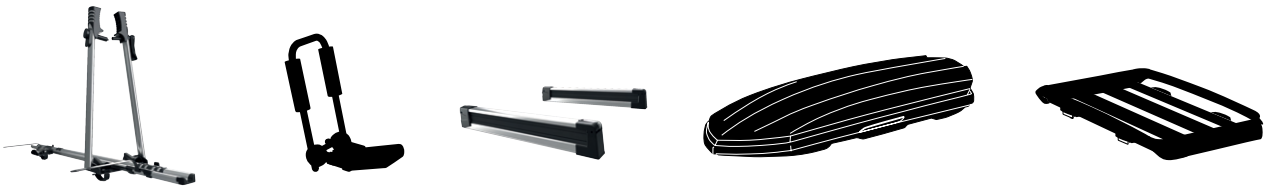
- Hold the bars and shake them to see if the bars are securely mounted.

ASSEMBLY INSTRUCTION

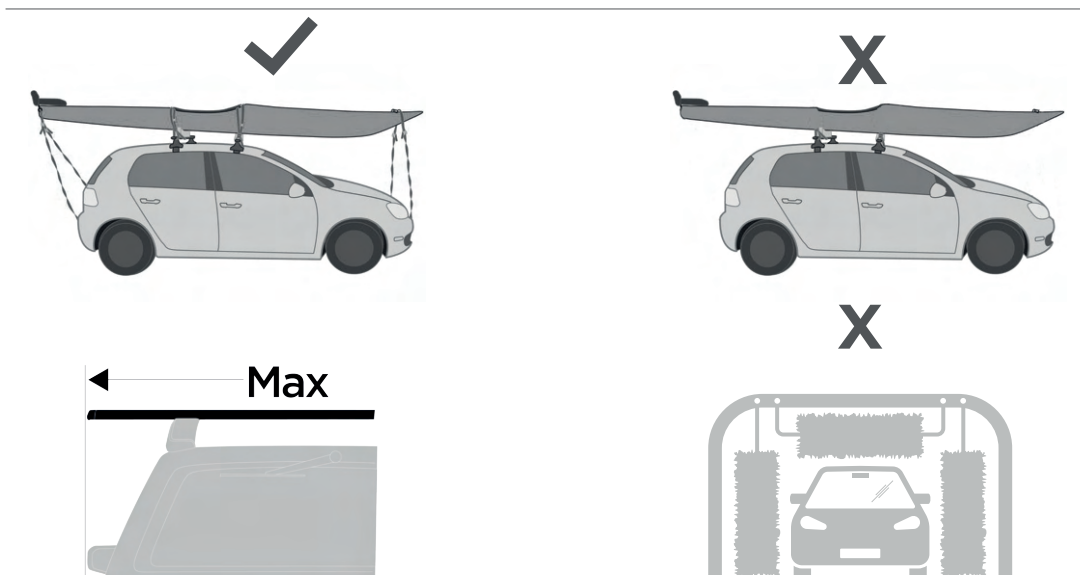
i Flexible RUBBER for TRIM FREE T-TRACK MOUNT INSTALLATION



Thanks to flexible rubber to install your carriers you don't need to trim the rubber.



Note: T-tracks are not included the package.



SAFETY PRECAUTIONS!

1. Confirm that you have all required parts by checking the assembly instructions.
2. Regularly check for worn-out or damaged parts and replace them.
3. Regularly clean and maintain the load bars, especially during the winter.
4. Store all loose parts in a safe place when the product is removed.
5. Review and follow the assembly instructions and the suggestion list. Complete each step in the order recommended.
6. With the load bars installed, some sunroofs and/or radio antennas may not be operable, or some of their functions may be limited.
7. Except where otherwise stated in the mounting instructions, the load bars can be installed on cars with sunroofs.
8. Keep a minimum gap of 27 inches (700 mm) between the load bars.
9. Keep a minimum distance of 23 inches (600mm) between the load bars while carrying heavy loads.
10. Ensure that the load bars are securely mounted on the roof each time they are installed. To check the security of the bars, firmly grasp them and attempt to move them forward and backwards, as well as side to side. If any part of the unit moves, the mounting screws must be tightened to prevent movement. Check the security of the load bars on a regular basis.
11. Do not exceed the maximum load limit of 165lbs (75kg). This limit may be less depending on the maximum roof load recommended by the vehicle manufacturer. Always defer to the lowest maximum suggested roof load.
12. The maximum roof load is equal to the weight of the load bars plus any installed carrier accessories plus the weight of the load itself.
13. Any items carried on the load bars **MUST** be securely fastened. The use of elastic bungees is not safe.

SAFETY PRECAUTIONS!

14. Surfboards and other long items must be fastened at both the front and back of the vehicle when being transported.
15. When transporting multiple surfboards, stack them one on top of the other rather than next to each other.
16. The load must not be wider than the load bars width, and it must be equally distributed across the bars with the lowest possible center of gravity.
17. Prior to loading, all loose or removable pieces of the load, such as bicycle child seats, tire pumps, surfboard fins, etc. should be removed.
18. Ski's must be installed with the ski tips facing the rear of the vehicle when being transported.
19. Check the load's initial security after a short distance and at regular intervals on longer drives, at highway speeds, or on bumpy roads. When required, tighten the load's fastening straps.
20. When carrying taller items such as upright bicycles, the total height of the vehicle rises significantly. Use caution when clearance is low or when entering parking structures.
21. When a load is carried on the roof, the vehicle's handling and braking behavior can change, and it is more susceptible to cross-winds.
22. The vehicle's speed must always be adjusted to the load being transported as well as current driving conditions, such as road type, road quality, wind conditions, traffic intensity, and relevant speed limits, but speeds must never exceed 80MPH (130 km/h). Speed limits and other traffic restrictions must always be followed.
23. Drive slowly over speed bumps, with a top speed of 6 MPH (10 km/h).
24. While in use, lock any products which are equipped with locks.
25. This product may not be altered in any way.
26. The manufacturer will not be held liable for human or animal injury, property damage, or financial loss resulting from improper installation or use of the device. Always double-check that the load is properly secured



ERKUL®

WINGCARRIER V3



USE THE QR BELOW TO SEE INSTRUCTIONS IN OTHER LANGUAGES



Deutsche - Español - Français - Русский - Türkçe - عربي

support@erkulauto.com