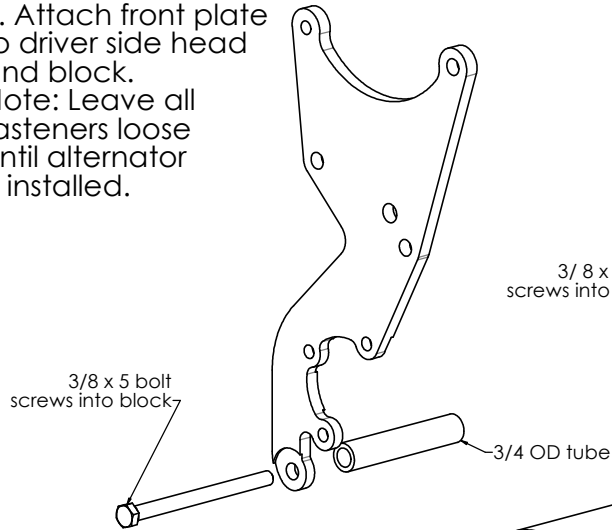


K10307 Alternator and Power Steering Bracket for small-block Chevy

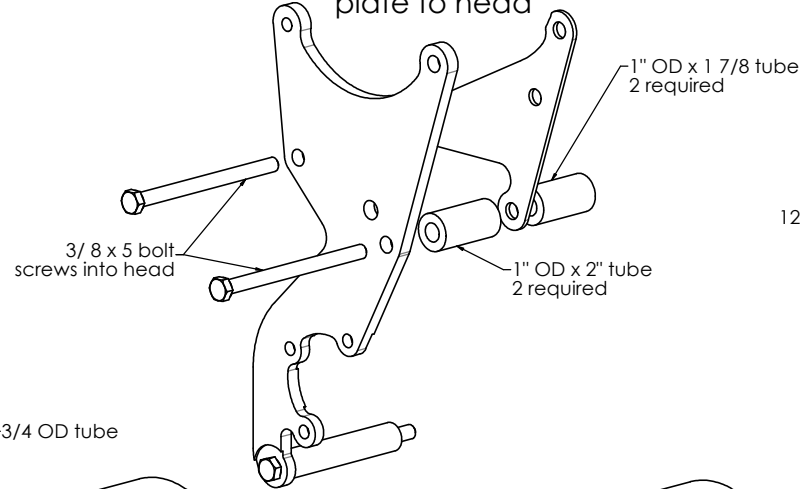
Kwik
Performance, Inc.
www.kwikperf.com

Copyright 2014
Kwik Performance, Inc.
All rights reserved

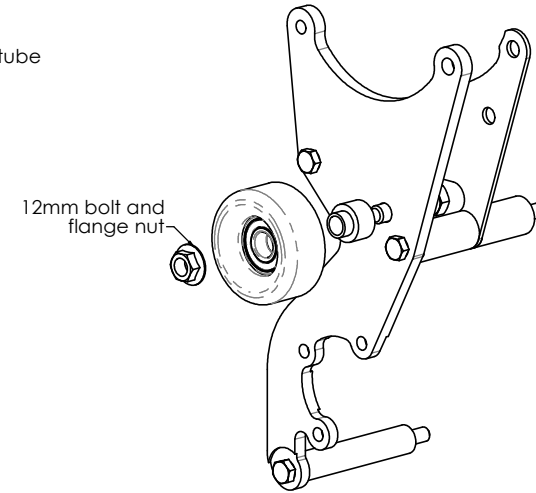
1. Attach front plate to driver side head and block.
Note: Leave all fasteners loose until alternator is installed.



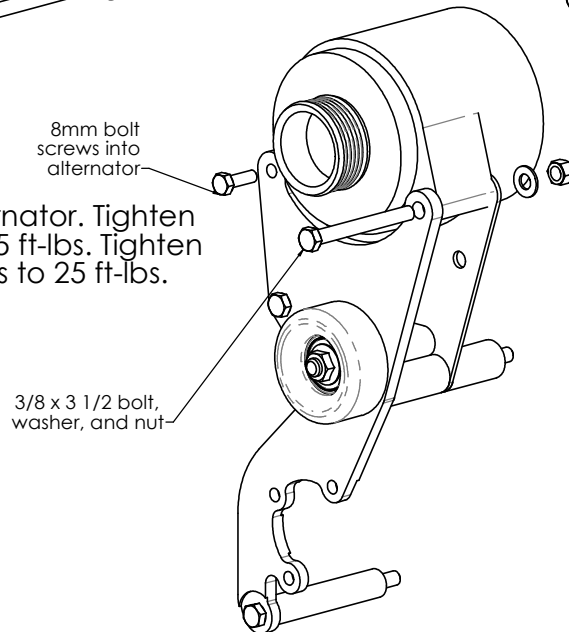
2. Attach rear plate to head



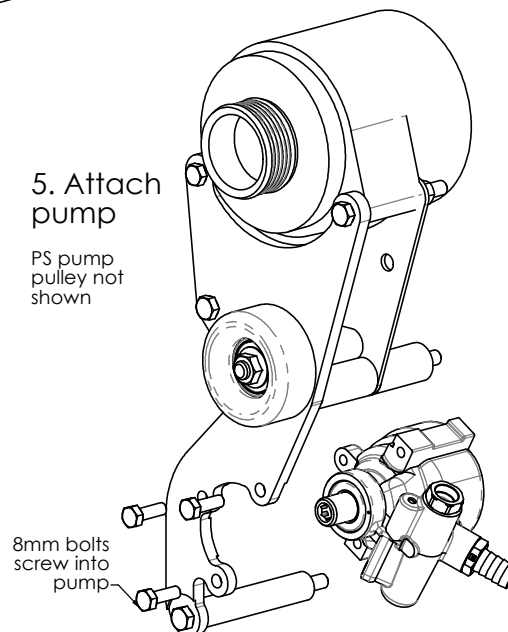
3. Attach idler pulley



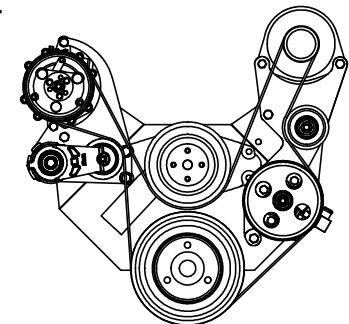
4. Attach alternator. Tighten 8mm bolt to 15 ft-lbs. Tighten other fasteners to 25 ft-lbs.



5. Attach pump



6. Install 6-rib belt (not included). Gates K060815 (82.12") is suggested with 5.5" power steering pulley. K060825 (83.12") is suggested with 6.8" power steering pulley.



Belt routing