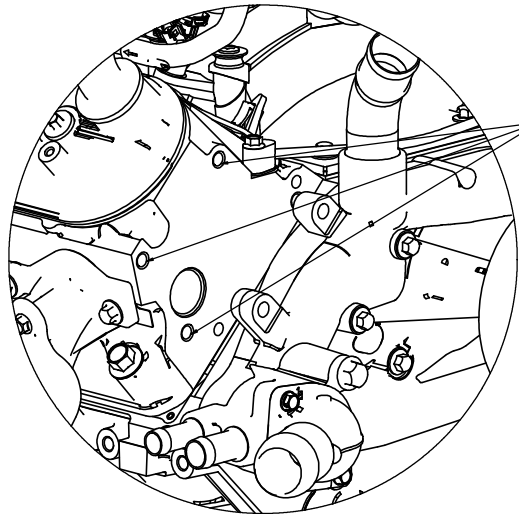


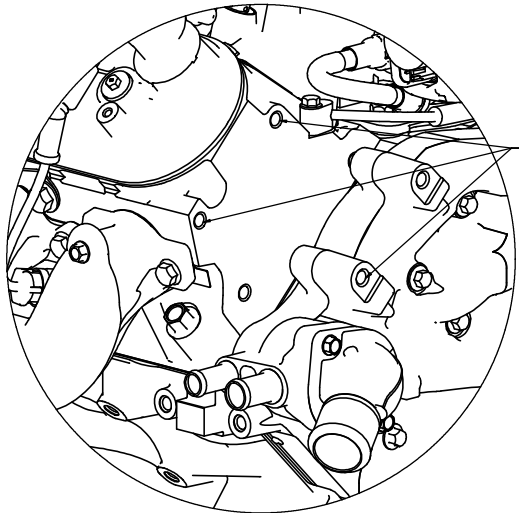
K10291
 Sanden SD7 model 7176 AC Bracket
 for LS truck engines & LS3 Camaro engines



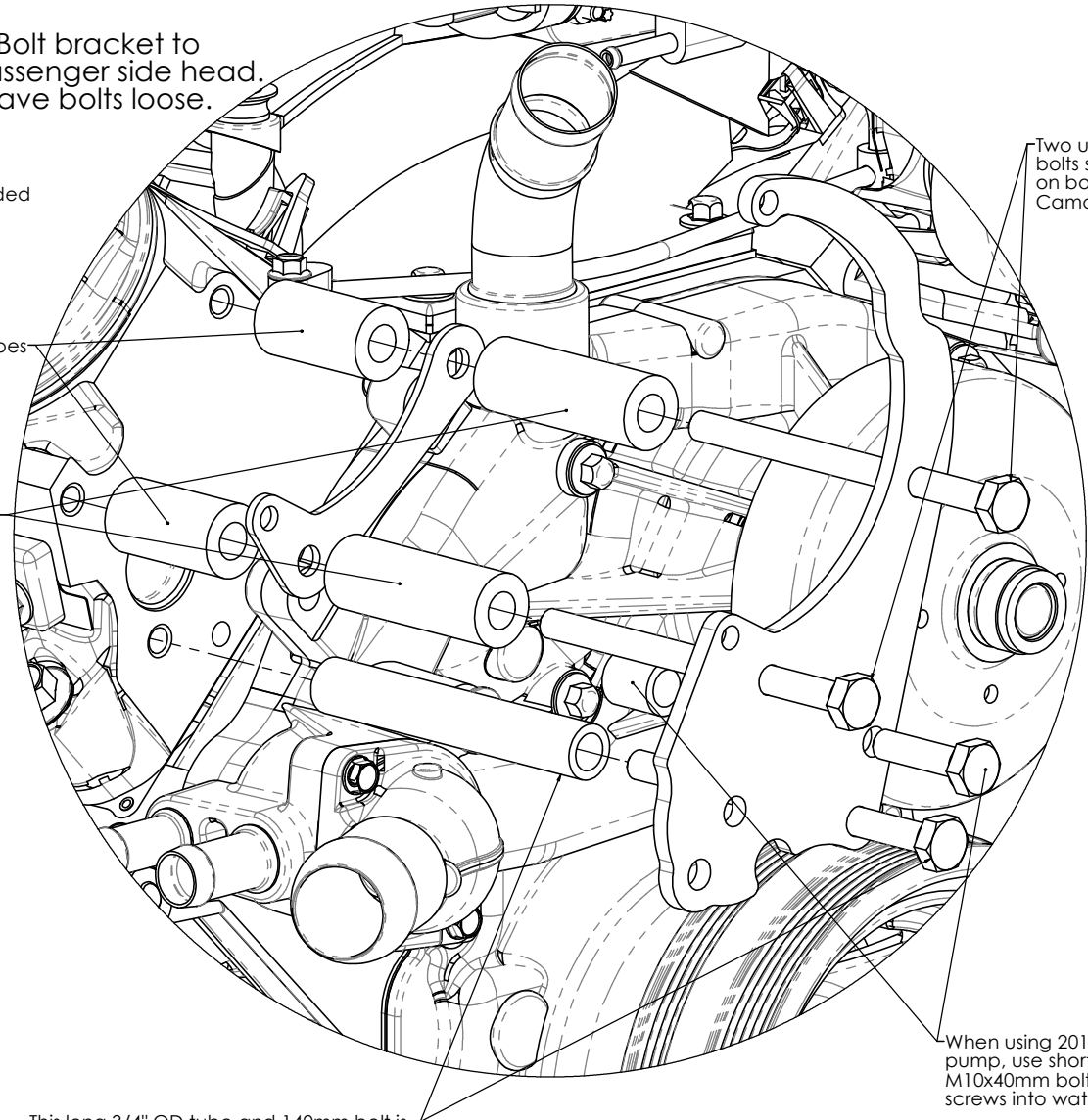
1. Bolt bracket to passenger side head. Leave bolts loose.



Bracket attaches to truck engine using these 3 threaded holes in the head.



Bracket attaches to Camaro engine using these two threaded holes in the head and one threaded hole in the water pump.



1" OD x 1-7/8" long tubes

1" OD x 2-3/4" long tubes

Two upper M10x140mm bolts screw into head on both the truck and Camaro engines

When using 2010+ Camaro water pump, use short 3/4" OD tube and M10x40mm bolt in this hole. Bolt screws into water pump.

Do not use with truck water pump.

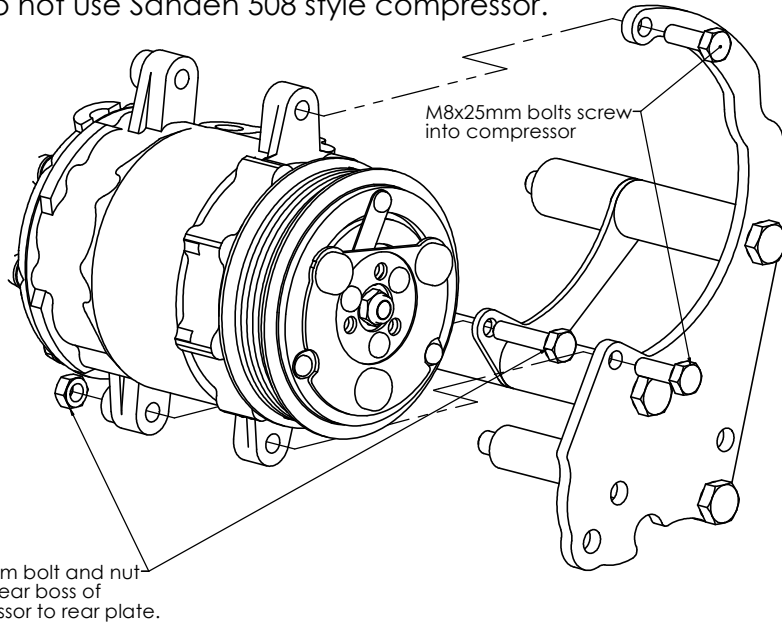
This long 3/4" OD tube and 140mm bolt is used with truck water pump. Bolt screws into head.

Do not use with 2010+ Camaro water pump

K10291 Sanden SD7 model 7176 AC Bracket for LS truck engines & LS3 Camaro engines



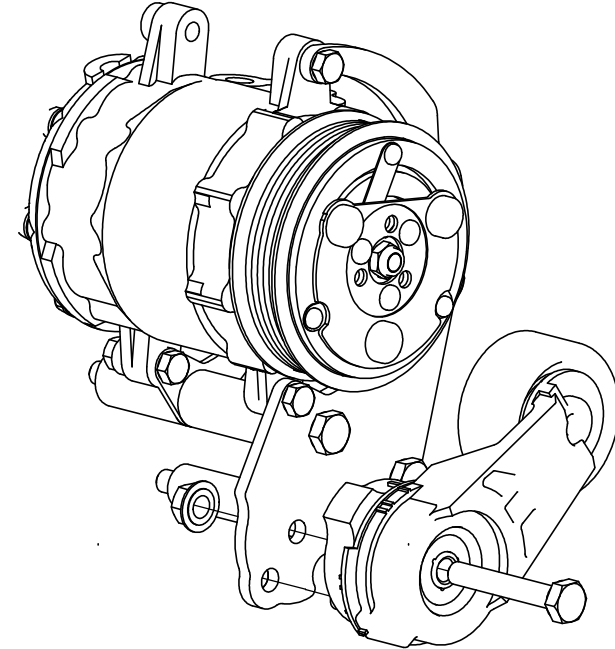
2. Attach Sanden SD7, model 7176 mini-compressor
Do not use Sanden 508 style compressor.



3. Tighten bolts

1. Lift up on the compressor to take the weight off the bolts while snugging the bracket and compressor in place.
2. Tighten the 2 upper head bolts.
3. Tighten either the third head bolt (truck engine) or the water pump bolt (Camaro engine).
4. Tighten the 2 front compressor bolts.
5. Tighten the rear compressor bolt.
6. Torque 10mm bolts to 37 ft-lbs.
7. Torque 8mm bolts to 15 ft-lbs.

4. Attach tensioner with M10x65mm bolt and 10mm nut. Tighten to 37 ft-lbs.

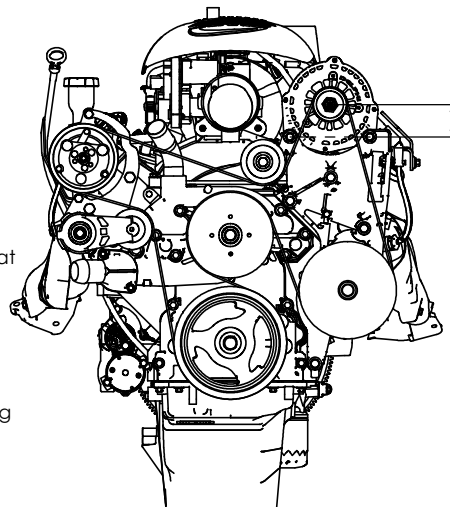


5. Install belt
(truck engine)

With 130 amp GM truck alternator, use Gates K061031 (103 5/8" long). See dimension 2.19" at right.

With 105 amp GM truck alternator, use Gates K061020 belt (102 5/8" long). See 1.68" dimension at right.

Not shown: With Kwik Performance K10168 alternator and power steering bracket, and 10206-06 pump, use Gates K060886 belt (89-1/8" long).



5. Install belt
(LS3 Camaro engine)

With LS3 Camaro accessories, use Gates K060947 (95 1/4" long)

