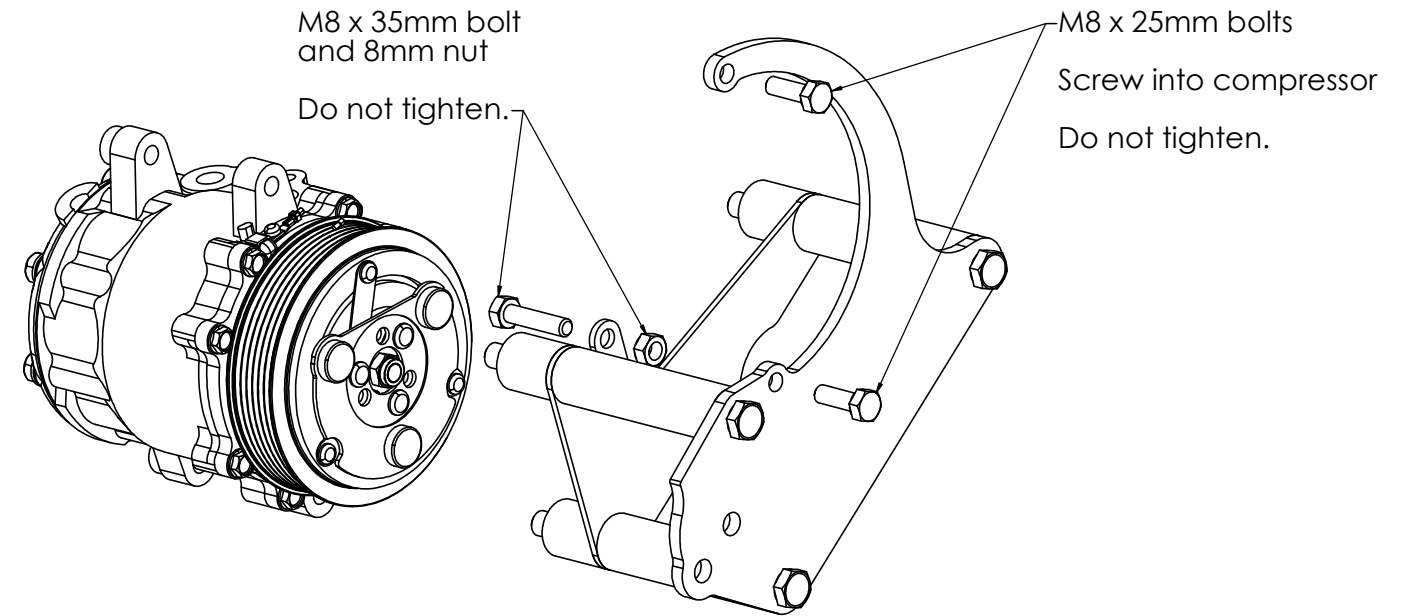
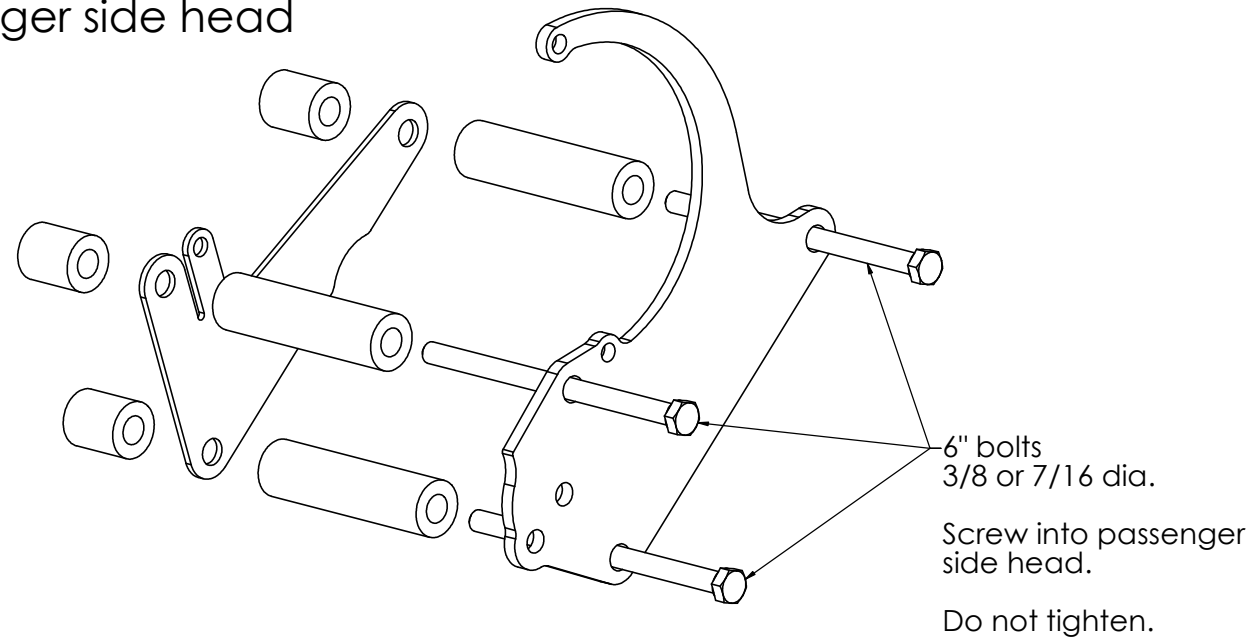


K10273
Sanden SD7 model 7176 AC Bracket
for big-block Chevy



2. Attach Sanden SD7, model 7176 mini-compressor
Do not use Sanden 508 style compressor

1. Bolt bracket to
passenger side head



- 3. Tighten 3/8 or 7/16 bracket bolts to 25 ft-lbs
- 4. Tighten 8mm compressor bolts to 15 ft-lbs
- 5. Attach tensioner.

6. Install belt

When using 5.5" power steering pulley, like that on Kwik Performance pump, use Gates K060825 or equivalent belt, 83 1/8" long.

