

# K10270 Late serpentine conversion kit for big-block Chevy



www.kwikperf.com

Copyright 2013-2018  
Kwik Performance, Inc.  
All rights reserved

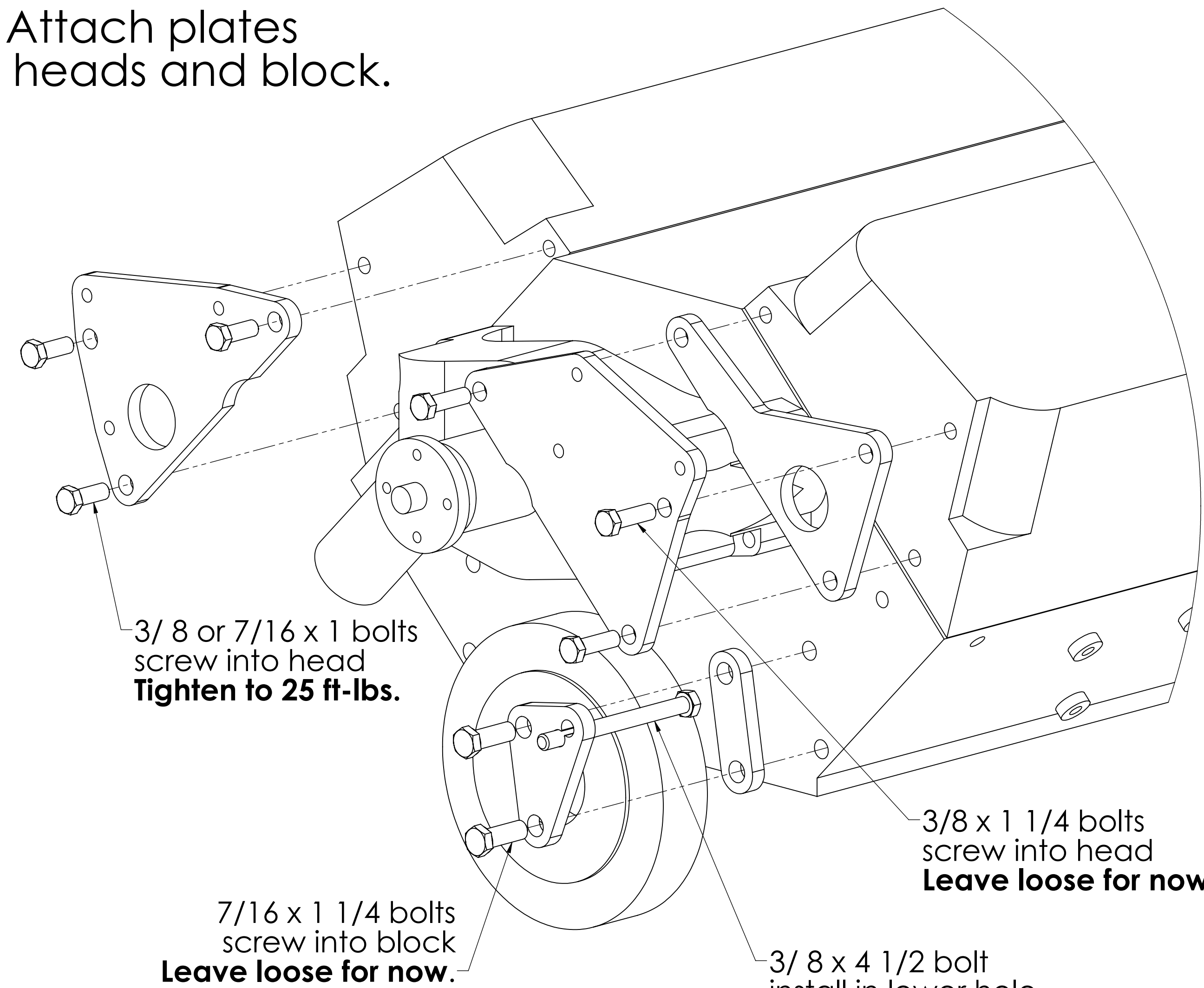
Adapts the following brackets to BBC:

1996-98 Full size trucks:V8 Early Vortec 5.7L & 5.0L

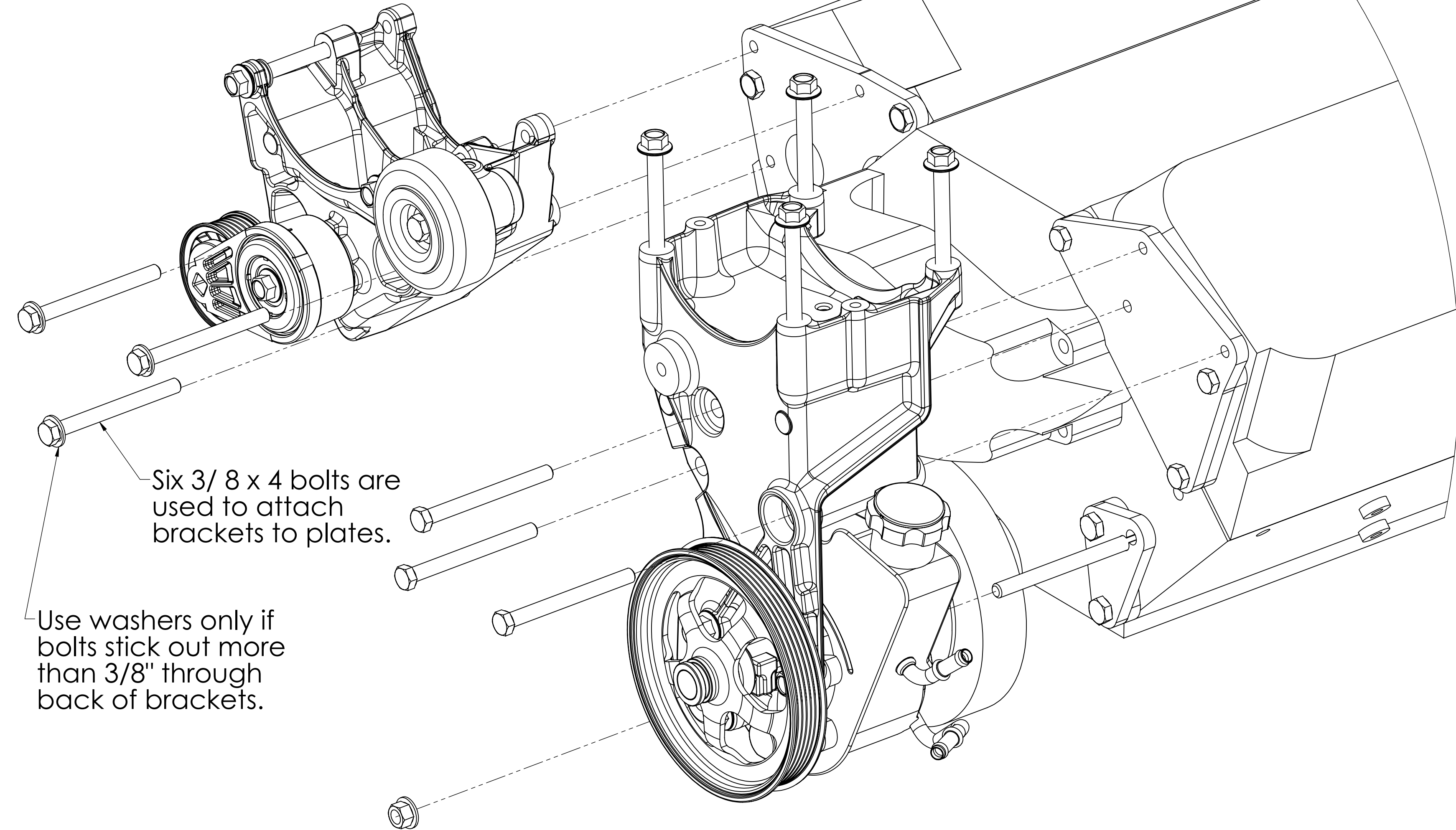
1996-2013 Full size trucks:V6 4.3L

1996-2004 S10 pickups and S10 Blazers:V6 4.3L

1. Attach plates to heads and block.



2. Attach brackets to plates, then tighten all bolts and nut to 25 ft-lbs



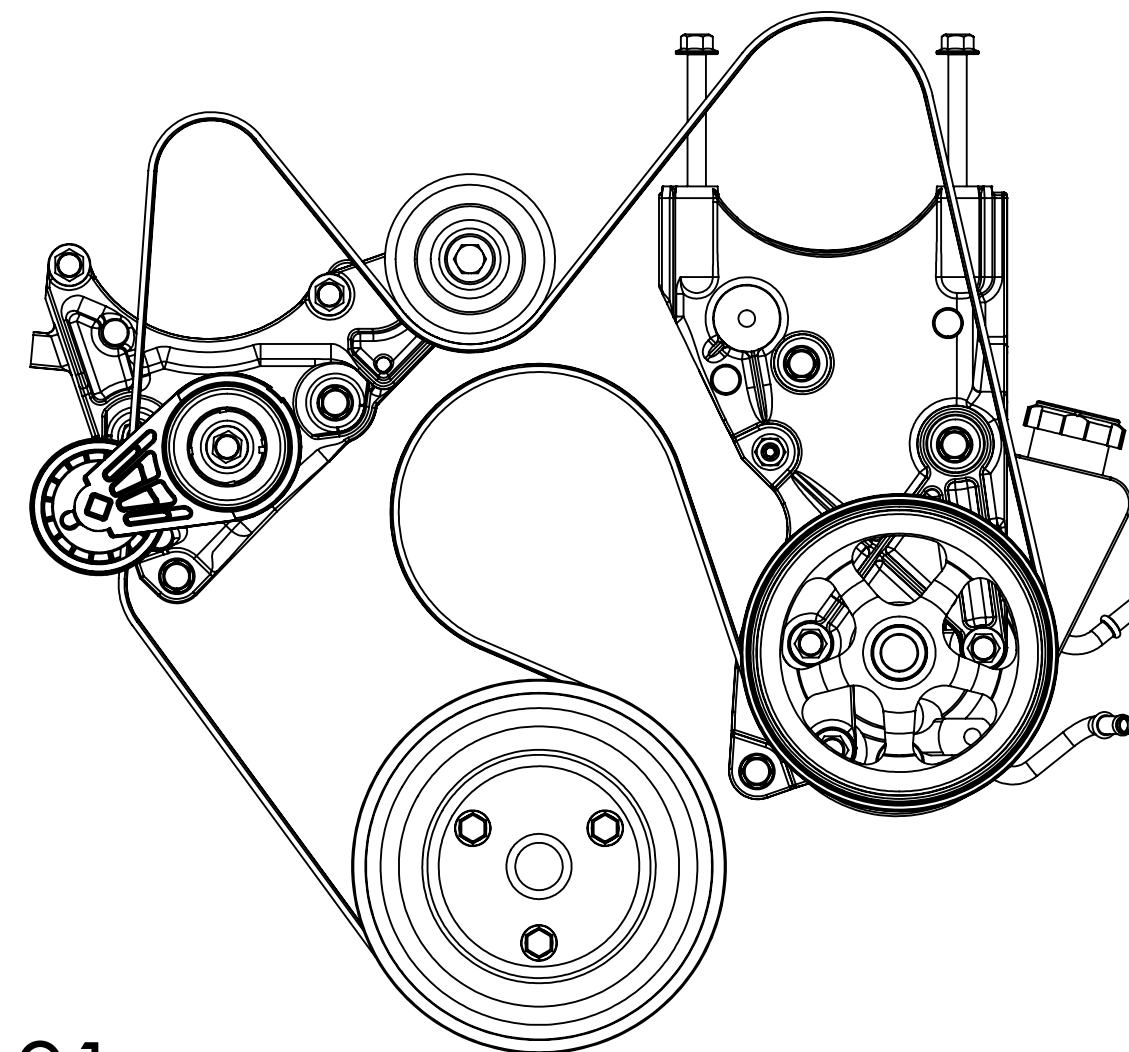
3. Install alternator and AC compressor

4. Install water pump. Use reverse-rotation BBC pump used on 454 truck engines from 1988-98.

5. Install water pump pulley. Use GM part number 10085760 found on BBC engines from 1988-98 and SBC engines from 1990-95. Pulleys from 1996 and later SBC donor engines do not fit the BBC water pump.

6. Install either a big block crank pulley, GM part number 10085753 or, a GM small block crank pulley, GM part number 10085754 and a Kwik adapter, part number 10259-01.

6. Install belt. Route as shown.



With AC: Gates K061015, 102 1/8"

Without AC: Gates K060930, 93 5/8"

