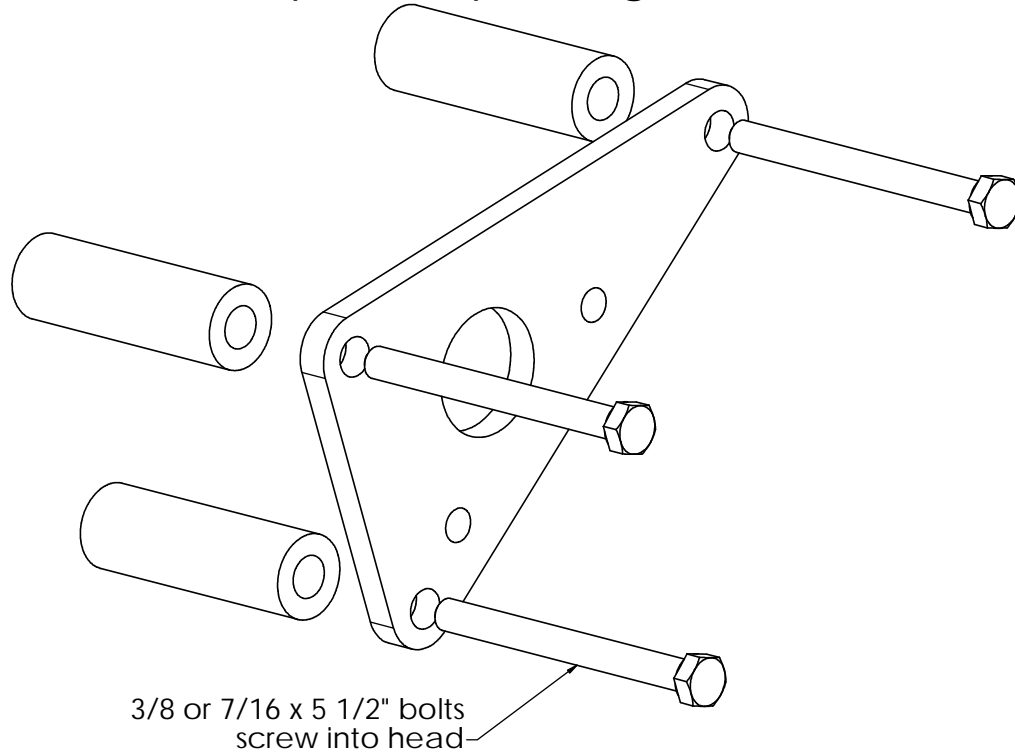


K10241 Tensioner Bracket for big-block Chevy

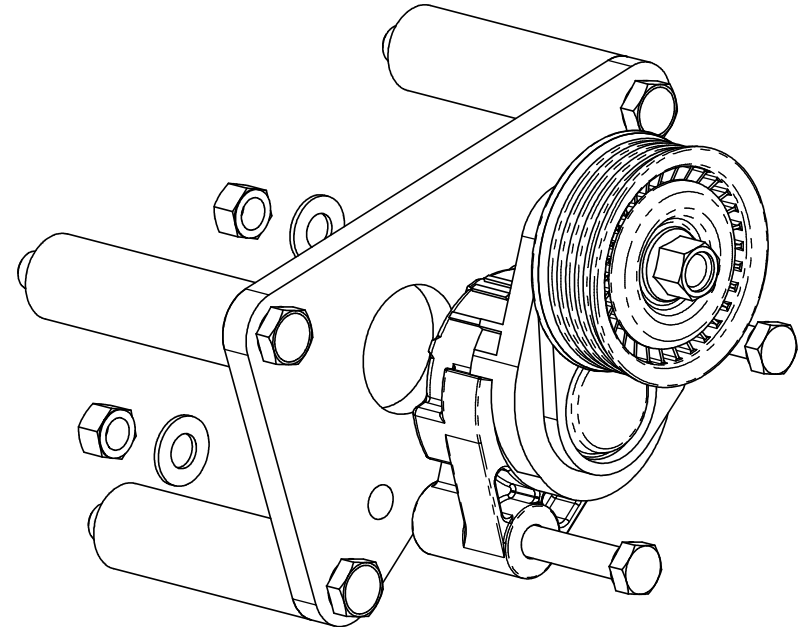
KWiK
Performance, Inc.
www.kwikperf.com

Copyright 2010
Kwik Performance, Inc.
All rights reserved

1. Attach front plate to passenger side head.



2. Attach tensioner.



3. Tighten all 3/8" fasteners
to 25 ft-lbs.

4. Install belt per
bracket instructions

