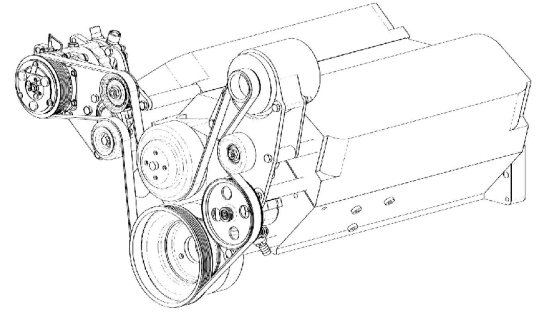


## K10217 Sanden AC Bracket Kit for Big Block Chevy engines

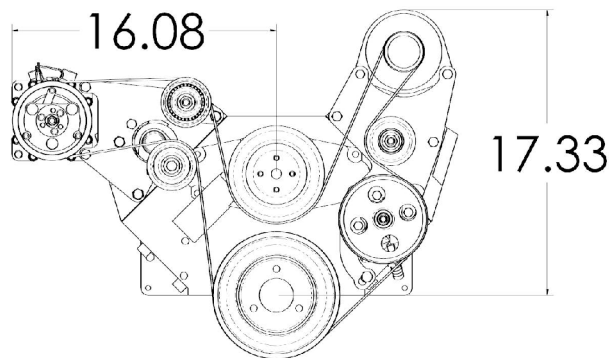
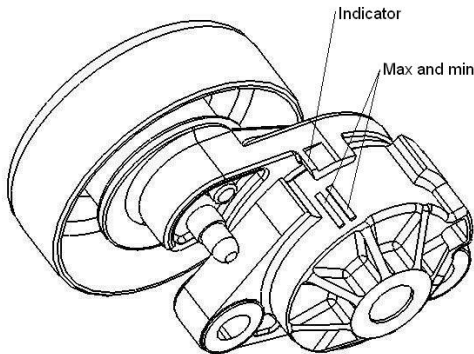
### Kit contents:

- Front and rear compressor attachment plates.
- Spacer and idler tubes
- GM style automatic tensioner
- Smooth idler pulley
- All fasteners needed to mount the bracket to the engine and the compressor to the bracket



### In addition, the following parts are required, and may be included with complete KWiK system:

- Air conditioner compressor, Sanden part number 4514 (SD5), 6629 (SD5), 4522 (SD5), 4665 (SD7), or 9537 (508). In addition, with the wide variety of Sanden compressors, other compressors with the same pulley placement will work.
- Alternator, power steering pump, and bracket on opposite side of engine.
- A reverse rotation BBC water pump for a 1988-1999 454 engine.
- BBC water pump pulley, GM part number 10085760.
- BBC crankshaft pulley, GM part number 10085753.
- Six-rib belt, length such that the tensioner indicator arrow is between the max and min marks. Gates or equivalent belt K060930 (93 5/8") is suggested when using 5.5" diameter power steering pulley. Larger diameter pulleys will require a slightly longer belt.



### Pre-installation

Before installing the brackets, the tensioner must be modified. Remove the six-groove pulley, which will be used as the idler pulley. The supplied smooth idler pulley will be used on the tensioner, but it can be installed after the tensioner is bolted in place for easier installation. The 16mm washer must be installed on the tensioner before installing the 38012 pulley for proper clearance.

### Notes

- The two thick washers are installed between the tensioner and the front plate.
- Leave all bolts loose until all parts are installed.
- The belt is installed on the forward 6 grooves of the 7-groove compressor pulley.
- The shim is installed between the front plate and the spacer washer on the upper boss of the tensioner to counteract play in the tensioner pivot.

# K10217 Sanden AC Bracket for big-block Chevy

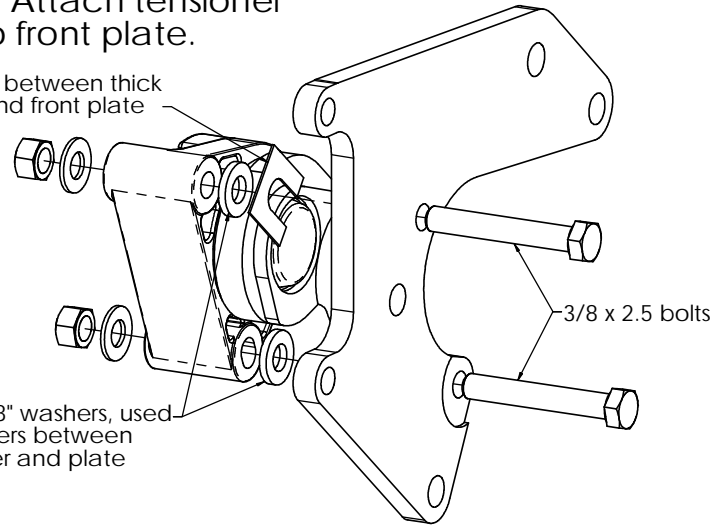
**Kwik**  
Performance, Inc.  
www.kwikperf.com

Copyright 2010  
Kwik Performance, Inc.  
All rights reserved

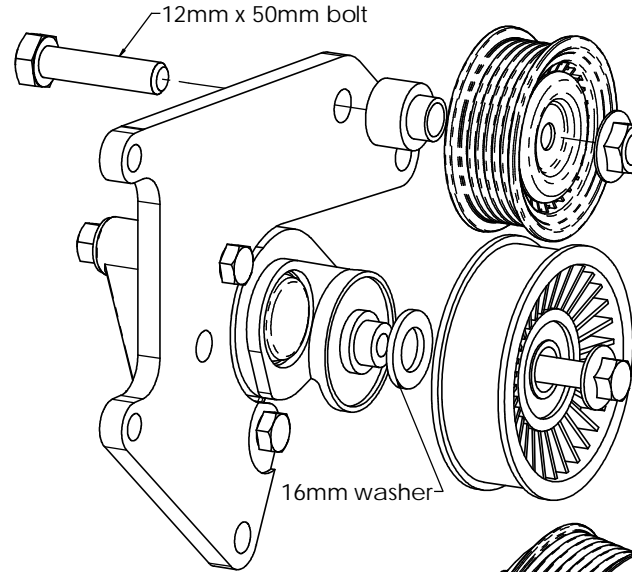
## 1. Attach tensioner to front plate.

Add shim between thick washer and front plate

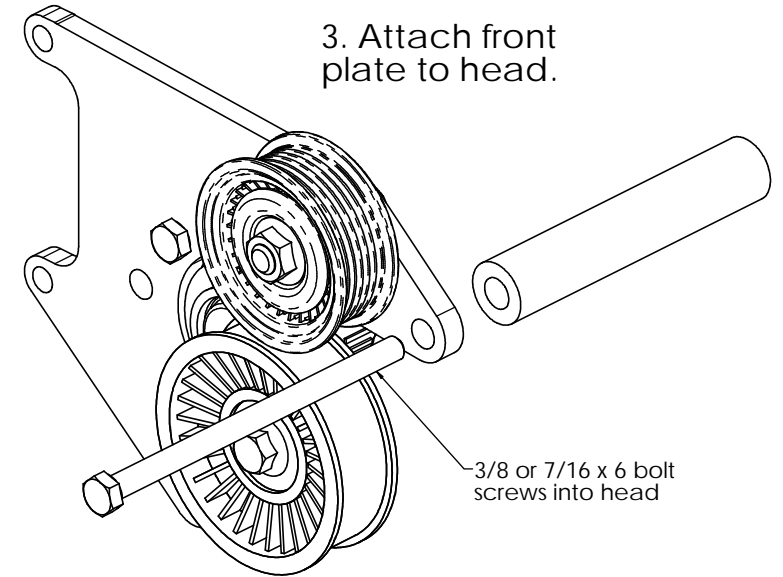
Thick 3/8" washers, used as spacers between tensioner and plate



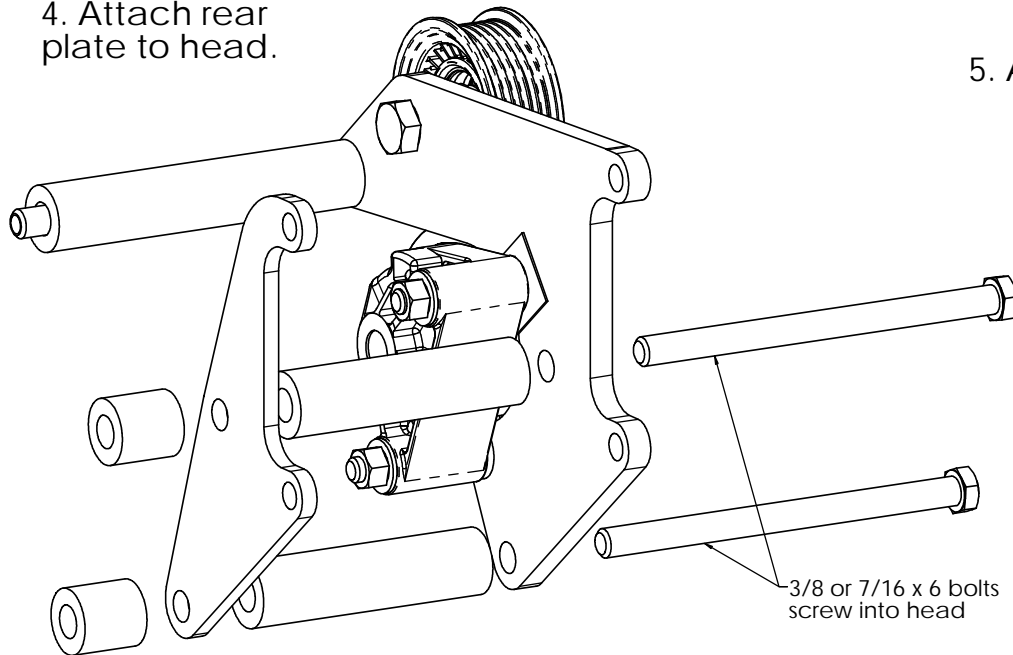
## 2. Attach idler and tensioner pulleys.



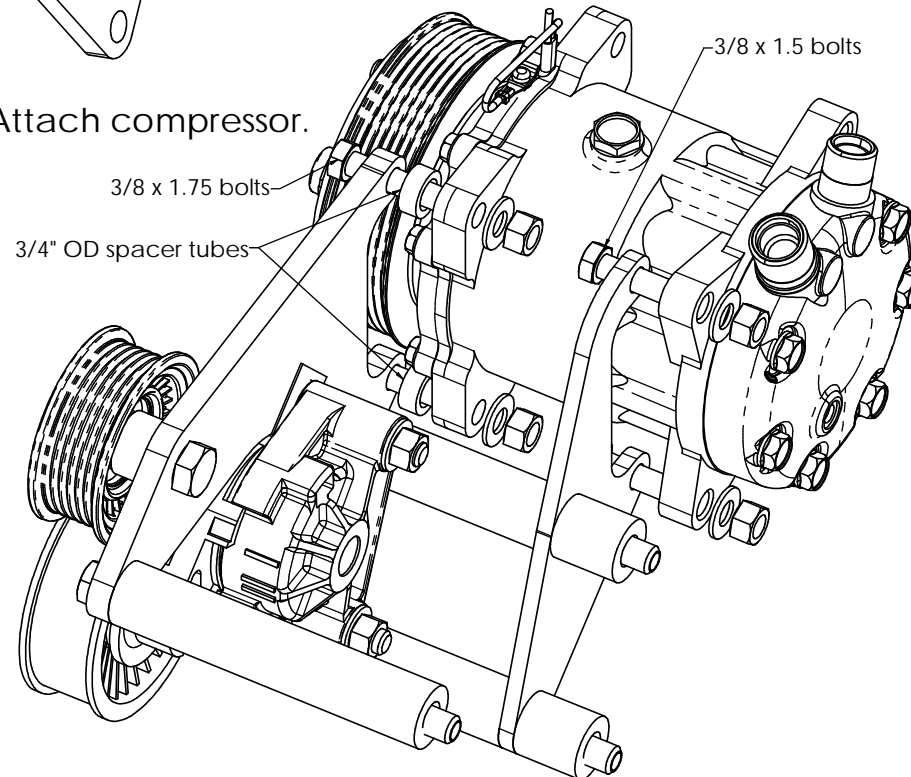
## 3. Attach front plate to head.



## 4. Attach rear plate to head.



## 5. Attach compressor.



## 6. Tighten all fasteners to 25 ft-lbs.

## 7. Install belt.

