

Installation Instructions for K10166, K10167, & K10168

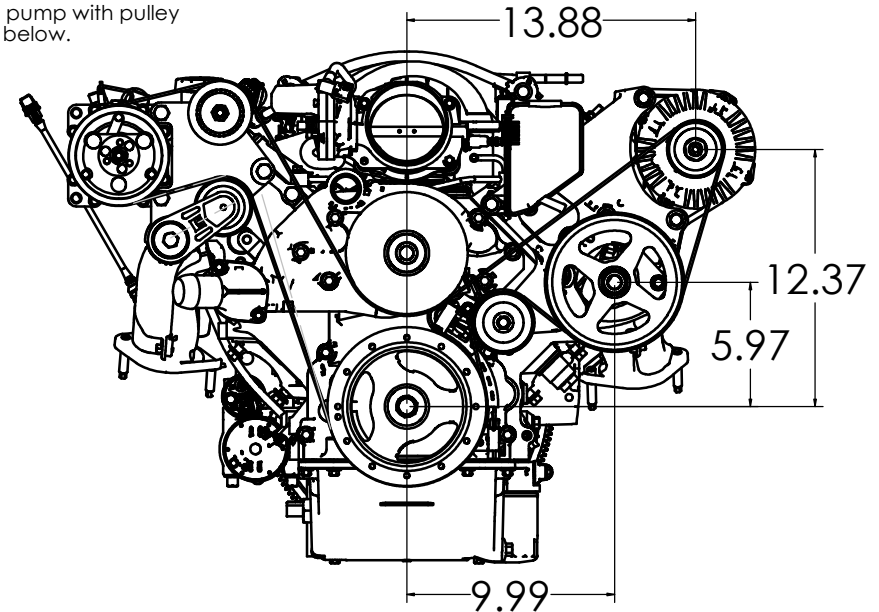
Alternator and power steering pump bracket for LS engines

Kit contents:

- Mounting plates
- Spacer tubes
- Fasteners
- Idler pulley

Additional parts required:

- Alternator
- Power steering pump with pulley
- Belt. See chart below.



Belt installation
With AC compressor

Belt length and Gates PN - K10166, K10167, K10168 using factory belt tensioner		
Power steering pulley diameter	Belt using factory tensioner	Belt using Kwik Performance AC bracket
6.7"	79" - K060785	See AC bracket instructions
6.0"	78 5/8" - K060780	
5.5"	78" - K060775	

Note: When using an LS3 Camaro water pump and tensioner with K10168 (no AC), increase the belt lengths above by approximately 2-3/4".

Note: Install belt in rear 6 grooves of 7 groove compressor.

Note: For best performance and longest life, the belt lengths suggested by Kwik Performance are the shortest belt that can be reasonably installed.

We recommend the following procedure:

1. When installing the serpentine belt, place the belt around all pulleys as shown in the diagram except for the water pump pulley.
2. Check to see that the belt is in the correct grooves of the AC compressor.
3. Check to make sure that the belt is seated all the way in the grooves of each grooved pulley.
4. Retract the tensioner all the way and slip the belt onto the water pump pulley.
5. Release the tensioner.

Installation Instructions for: K10166, K10167, & K10168 alternator and power steering pump bracket



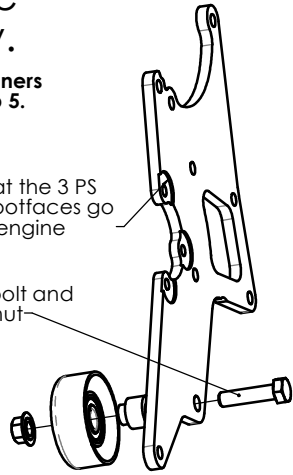
Alternator and power steering pump bracket for LS engines

1. Assemble idler pulley.

Note: Leave all fasteners finger tight until step 5.

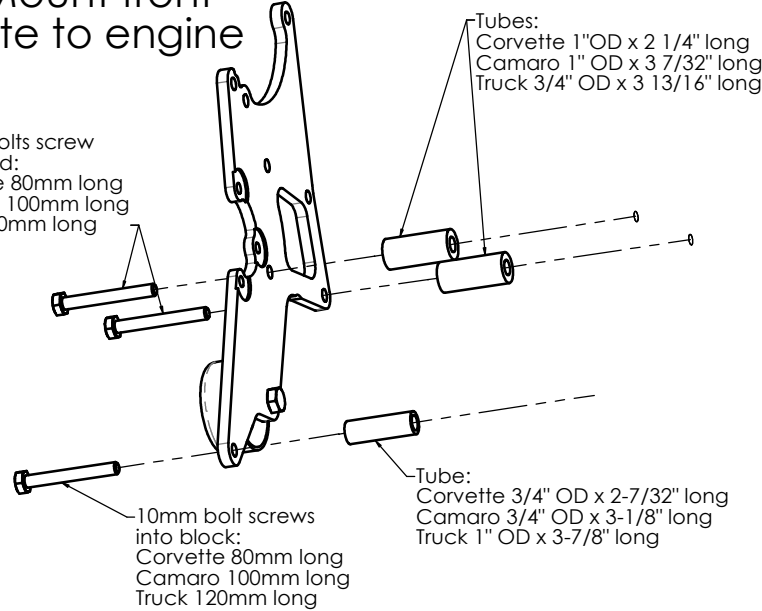
Note that the 3 PS pump spottaces go toward engine

12mm bolt and flange nut



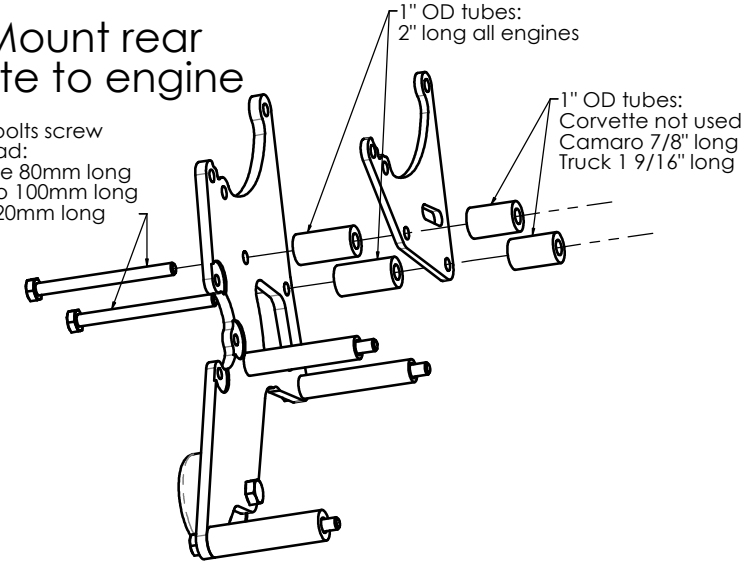
2. Mount front plate to engine

10mm bolts screw into head:
Corvette 80mm long
Camaro 100mm long
Truck 120mm long



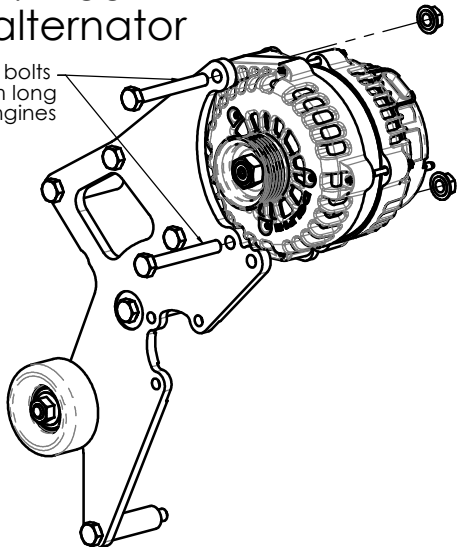
3. Mount rear plate to engine

10mm bolts screw into head:
Corvette 80mm long
Camaro 100mm long
Truck 120mm long



4. Mount alternator

10mm bolts
80mm long
all engines



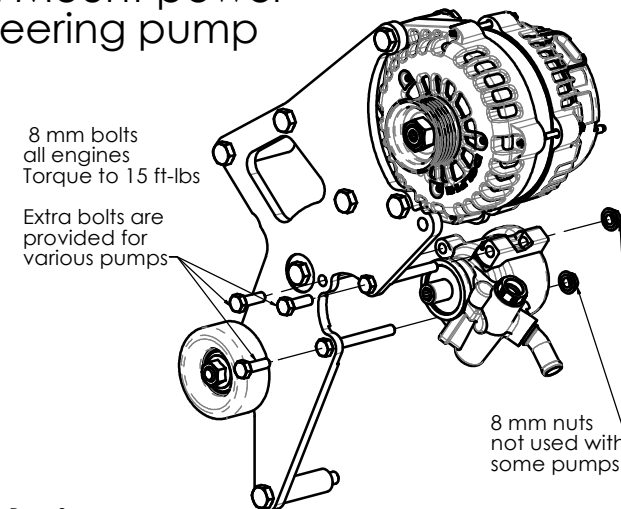
5. Torque fasteners:

12mm: 50 ft-lbs
10mm: 37 ft-lbs

6. Mount power steering pump

8 mm bolts
all engines
Torque to 15 ft-lbs

Extra bolts are provided for various pumps



7. Install power steering pulley.

Note: Some pulleys have windows in them for access to 8mm bolts. Pulley and pump can be installed as an assembly after torquing all 10mm bolts.

Because of the wide variety of pumps and pulleys that can be used, it may be necessary to slide the pulley fore or aft slightly on the pump shaft to align it with the crank pulley. Pump/pulley assemblies for a Gen 4 F-body engine will need an adjustment.

Kwik Performance pumps come with the pulley pre-installed in the correct location and can be bolted on as is.