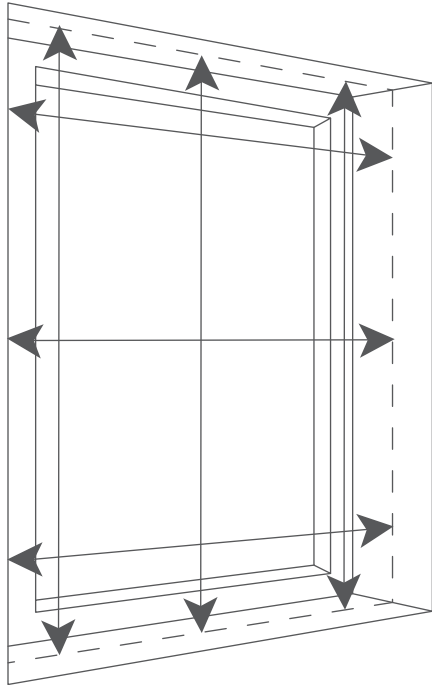


EASY BLINDS

ZEBRA SHADES

Measurement Manual



EASY MEASUREMENT TIPS

1. Use a steel tape measure for best accuracy.
2. Round each measurement to the nearest 1/8".
3. Always record width (side to side) first, and then height (top to bottom).

INSIDE MOUNT

An inside mount is designed to install inside the window casing. Simply measure the width and height of the inside edge of the window frame. From there, we will make necessary deductions.

Take a width measurement at the top inside the window frame. This is your ordering width

Take 3 measurements of the height (top to bottom), use the largest measurement for the ordering height.

Our factory will make necessary deductions to ensure your product fits in your window. Do not deduct anything yourself.



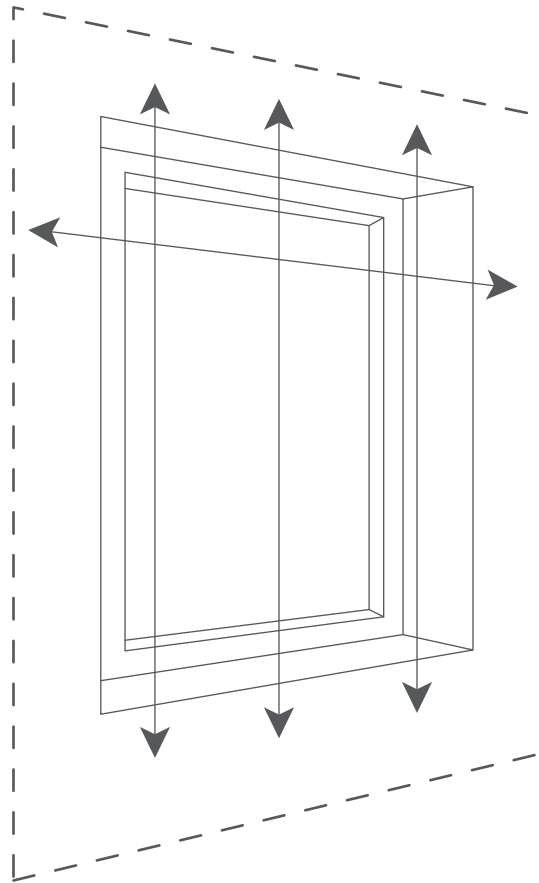
Easy Tip:

Inside mounted roller shades will come with an approximate 7/8" light gap on cord side, and 3/4" gap on other side, as the fabric is cut narrower than the top, for the operating mechanism.

If you like no light gaps, choose an outside mounted roller shade with 3 inches of overlap on each side.

If the width measurements vary by more than 1/2", the product may not operate properly, and the light gaps may be greater than expected. Consider an Outside Mount in this case.

OUTSIDE MOUNT



An outside mount, the blinds covers the window opening and frame. Simply measure the width and height of the window frame and make additions to your measurements. For outside mount, the blind is made to your measurements.

WIDTH

Take a width measurement at the top of the window frame.

To keep as much light out as possible, we suggest that the blind go over the window frame. Add 3" at the top and 3" each side (6" total) to your measurements. Or adjust the additions as you like.

HEIGHT

Take 3 measurements of the height (top to bottom), use the largest measurement for the ordering height. Add minimum of 3" to the height measurement for mounting brackets.



Easy Tip:

The shade can only be mounted on flat surface.