


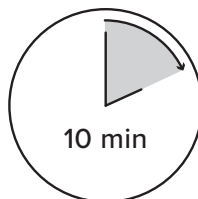


EASY BLINDS

ZEBRA SHADES

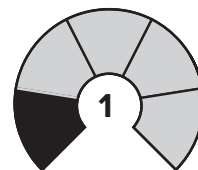
Installation Manual

PARTS INVENTORY		
ID	DESCRIPTION	QTY
(A)	SCREW 	4
(B)	MOUNTING BRACKETS 	2
(C)	P CLIP 	1

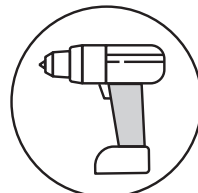


10 min

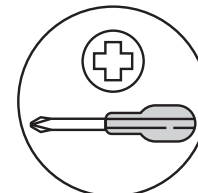
TIME



DIFFICULTY



REQUIRED TOOL



REQUIRED TOOL

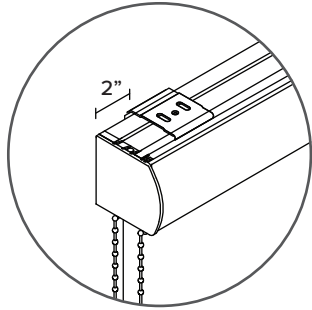


Never free a zebra shade with a knife or any object that may damage the fabric.

Centre support only provided for shades 72" or wider.

BEFORE INSTALLATION

1



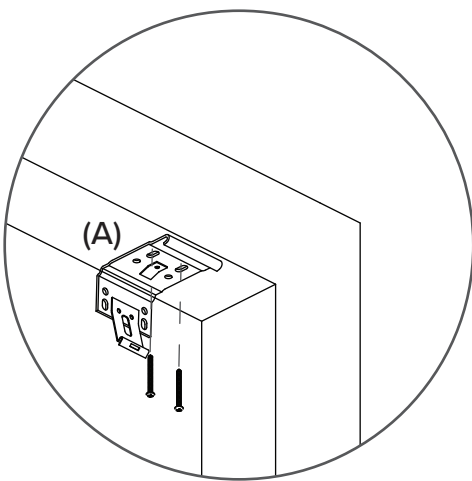
Brackets must be installed no more than 2" from each end of the cassette. A third bracket will be provided for shades wider than 72" and can be installed halfway between the two outer brackets.



Shade Installation

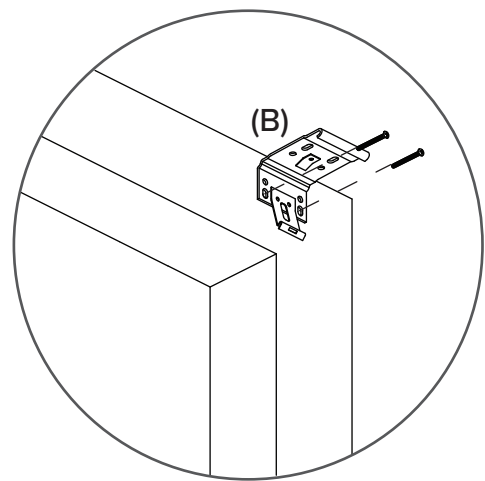
Mark the position of both brackets.
Drill holes and mount brackets into place (use wall anchors if needed)
Ensure all brackets are aligned for proper install.

Inside Mount



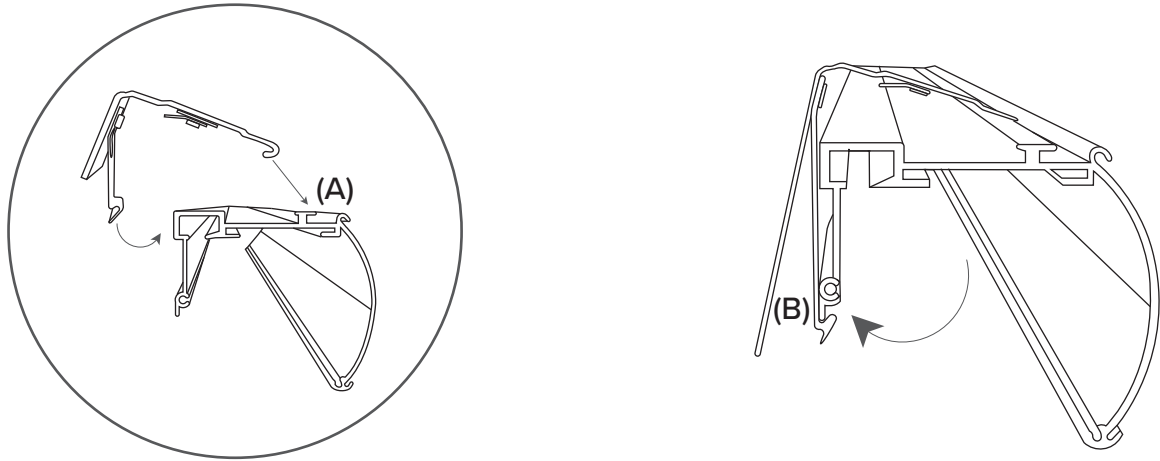
(A) Inside mount - the brackets within the window frame.

Outside Mount



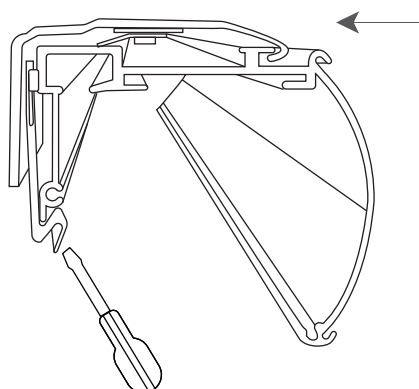
(B) Outside Mount - Mount the brackets on the surface of wall or window frame.

MOUNTING THE SHADE WITHIN BRACKET

2

Attach the cassette to the mounting brackets by (A) hooking it under the front lip of the bracket and (B) push the bottom front of the headrail backwards into the rear lip of bracket, **CLICK** it into place at the rear.

Removal



Insert a flat head screwdriver between the cassette and bracket as shown. Pry gently on the spring clip to unlock it from the bracket. The cassette should then disengage from the bracket.

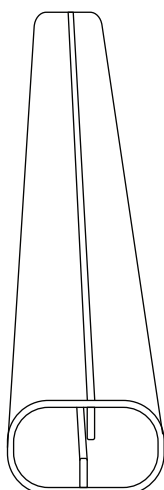
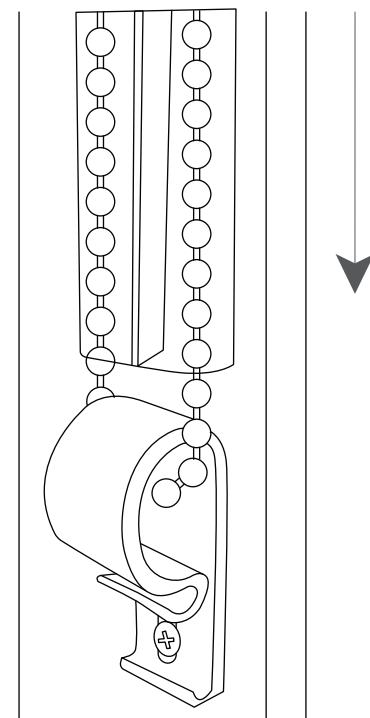
BEFORE USING YOUR BLINDS

3

Chain Guard and Cord Tensioner

1. Check that the chain is tight and that the P-Clip is at the bottom of the loop, however the chain is operable.
2. Screw the cord tensioner to a wall near the blind to keep the chain tight. To use the shade, raise the chain guard to operate the shade.
3. Attached are stop balls on the chain, this prevents the blinds being raised or lowered past its limits.

To raise or lower your shade, pull the chain guard to expose the bottom of the chain. Use the exposed chain to raise or lower your shade accordingly. Release the chain guard to conceal the chain.



! WARNING

1030640 Rev. 6/21 Print 9/21



STRANGULATION HAZARD – Young children can be strangled by cords. Immediately remove this product if a cord longer than 22 cm or a loop exceeding 44 cm around becomes accessible.

! MISE EN GARDE

RISQUE D'ÉTRANGLEMENT – Les enfants en bas âge peuvent s'étrangler avec des cordes. Enlevez immédiatement ce produit si une corde mesurant plus de 22 cm devient accessible ou si le contour d'une boucle de plus de 44 cm devient accessible.