



**FACTOR**

# Maxtrax Spare Tire Mount V2 Fitment Guide

The new V2 version of our spare tire mount for maxtrax comes in two sizes: Standard & XL. This guide will help you quickly determine which size you will need for your set up. This mount secures through the center cap of your spare tire, and will fit lug patterns 8 x 6.5, 6 x 120mm, 6 x 5.5 (139.7mm), 5 x 5.5 (139.7mm), 5 x 5, 5 x 4.5, 6x5.12 (130mm), 5x4.72 (120mm), 5x6.5, 5x4.25 (108mm), 5X150. Works with up to 16mm Lugs on Land



Tools Needed: Tape Measure, Yardstick, or something else long and straight (broom handle, hockey stick, piece of wood, etc.)

**Step 1:** Remove center cap on your spare wheel.

**Step 2:** Take a yard stick, or something else long and straight and hold it against on the sidewall of your spare tire vertically from the 12 o'clock to the 6 o'clock position. (pictured)

**Step 3:** Measure from the mounting surface inside the centercap of your wheel to the inside edge of your yard stick. This measurement will determine which size mount you need.

If your measurement is between 3.29" and 5.33", you will use the standard mount kit.

If your measurement is between 5.18"-7.23", you will use the XL mount kit.

**\*\*Notice:** There is an overlap between the mount sizes. If your measurement is between 5.18" and 5.3", we recommend using the XL.\*\*

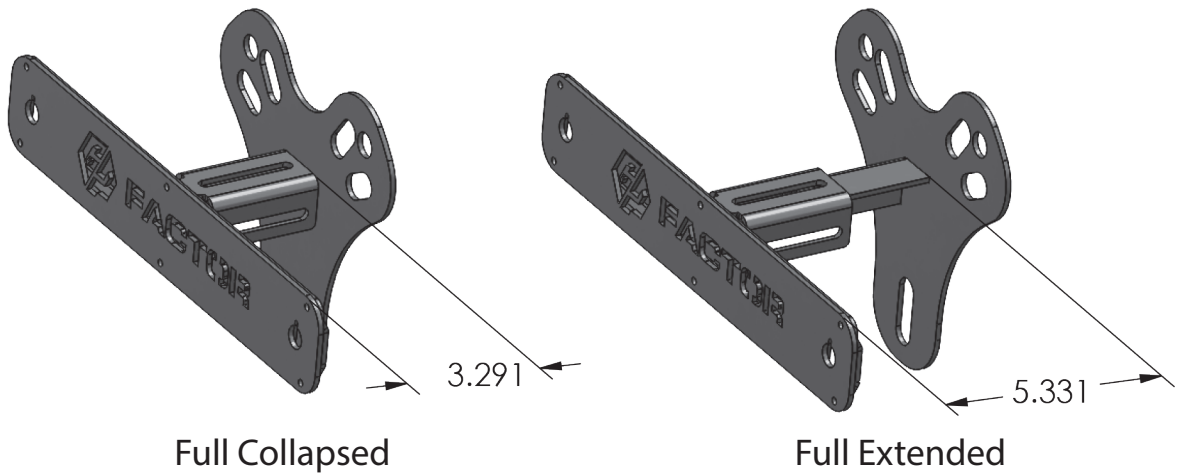




**FACTOR**

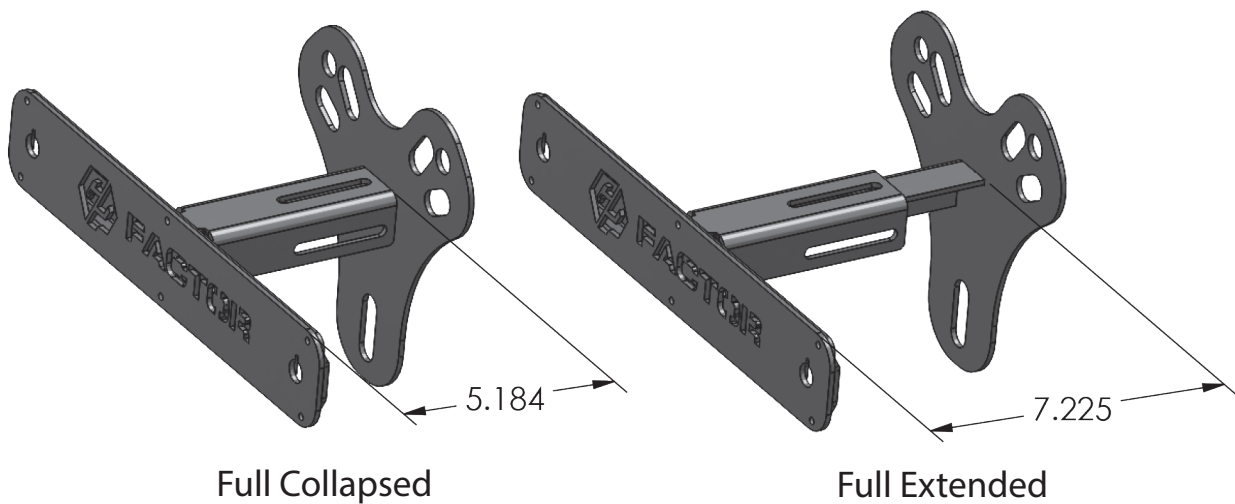
# Maxtrax Spare Tire Mount V2 Fitment Guide

STANDARD SIZE - RANGE FROM 3.29" - 5.33"



Measurements shown in inches  
(V1 Lug bracket pictured, but all kits ship with v2.1)

XL SIZE - RANGE FROM 5.18" - 7.23"



Measurements shown in inches  
(V1 Lug bracket pictured, but all kits ship with v2.1)