

Range

# PARIS & SYDNEY



The mark of responsible forestry



**PRICELIST**

PRESS

**EXPORT**

01.01.2023



*Range*

**PARIS**

The aesthetic and beautiful curved leg on the PARIS table is not only an eyepleasing detail. On the practical side it makes it possible to have chairs all around the table. The table can be extended with up to 4 additional plates.

**Designed by**

Cecilie Kamp



**This range include**

Dining tables

*Features*



**Design elements**

Choose between with or without extension and several different edgeprofiles.



**Sustainable choice**

This product is produced with Certified wood FSC® 100%.



**Wood colours**

Choose between more than 10+ different wood colours in both ash and oak.



**Custommade**

In addition to our many standard sizes we can accommodate special requests.

*Social media*

Follow and share with us on Instagram.

 @kristensenfurniture | #kristensenfurniture

*Pricelist- and imagebank*

On our Collection-site you as a retailer always have access to the latest pricelists and hundreds of high resolution images and videos - **Free to use in your marketing!**

If you do not have a password yet, please contact the Kristensen sales office in Denmark.

**LINK:**

[collection.kristensen.com](https://collection.kristensen.com)

# PRICELIST

## PARIS Dining Table (undecided)



Price: Round dining table w/undecided plate (H: 74 cm, plate thickness 3 cm)			
Description	Item no.	Price (EURO)	
		Ask	Eg
Ø160 Undecided plate	F-PA3H-160		
Ø150 Undecided plate	F-PA3H-150		
Ø140 Undecided plate	F-PA3H-140		
Ø130 Undecided plate	F-PA3H-130		
Ø120 Undecided plate	F-PA3H-120		

Ash is standard - Oak + 25%

All prices are purchase prices in Euro.

We accept no liability for any errors or omissions.

# PRICELIST

## PARIS Dining Table (extendable)

The extension system is hidden when not in use.



Price: Round dining table w/divided plate (H: 74 cm, plate thickness 3 cm)			
Description	Item no.	Price (EURO)	
		Ask	Eg
Ø160 Extension for 4 leaves*	F-PA3M-160		
Ø150 Extension for 4 leaves*	F-PA3M-150		
Ø140 Extension for 4 leaves*	F-PA3M-140		
Ø130 Extension for 4 leaves*	F-PA3M-130		
Ø120 Extension for 4 leaves*	F-PA3M-120		

\* Comes with 2 support legs

Leaves - For tables with divided plate (Solid wood, plate thickness 3 cm)			
Description	Item no.	Price (EURO)	
		Ask	Eg
Ø160 Leaf 50x160 cm	F-PAT3-160		
Ø150 Leaf 50x150 cm	F-PAT3-150		
Ø140 Leaf 50x140 cm	F-PAT3-140		
Ø130 Leaf 50x130 cm	F-PAT3-130		
Ø120 Leaf 50x120 cm	F-PAT3-120		

Ash is standard - Oak + 25%

All prices are purchase prices in Euro.

We accept no liability for any errors or omissions.



*Range*

**SYDNEY**

The SYDNEY round table can easily be recognized by the metal detail on the curved leg. The leg provides plenty of space for chairs all the way around and the table also comes in versions with extension – with room for 4 leaves.

**Designed by**

Cecilie Kamp



**This range include**

- Dining tables
- Coffee tables

*Social media*

Follow and share with us on Instagram.

 @kristensenfurniture | #kristensenfurniture

*Features*



**Design elements**

Choose between with or without extension and several different edge profiles.



**Sustainable choice**

This product is produced with Certified wood FSC® 100%.



**Wood colours**

Choose between more than 10+ different wood colours in both ash and oak.



**Custommade**

In addition to our many standard sizes we can accommodate special requests.

*Pricelist- and imagebank*

On our Collection-site you as a retailer always have access to the latest pricelists and hundreds of high resolution images and videos - **Free to use in your marketing!**

If you do not have a password yet, please contact the Kristensen sales office in Denmark.

**LINK:**

[collection.kristensen.com](https://collection.kristensen.com)

# PRICELIST

## SYDNEY Table (undivided)



Price: Round dining table w/undivided plate (H: 74 cm, plate thickness 3 cm)			
Description	Item no.	Price (EURO)	
		Ash	Oak
Ø160 Undivided plate	F-SN3H-160		
Ø150 Undivided plate	F-SN3H-150		
Ø140 Undivided plate	F-SN3H-140		
Ø130 Undivided plate	F-SN3H-130		
Ø120 Undivided plate	F-SN3H-120		



### Choose leg detail colour

See more info on page 11.

- 
- Black steel**
- Vintage copper look**
- Brass**

### Please note

The undivided Sydney tables are not made in sizes smaller than Ø120, or larger than Ø160 cm.

Ash is standard - Oak + 25%

All prices are purchase prices in Euro.

We accept no liability for any errors or omissions.

# PRICELIST

## SYDNEY Dining Table (extendable)

The extension system is hidden when not in use.



Price: Round dining table w/devided plate (H: 74 cm, plate thickness 3 cm)			
Description	Item no.	Price (EURO)	
		Ash	Oak
Ø160 Extension for 4 leaves*	F-SN3M-160		
Ø150 Extension for 4 leaves*	F-SN3M-150		
Ø140 Extension for 4 leaves*	F-SN3M-140		
Ø130 Extension for 4 leaves*	F-SN3M-130		
Ø120 Extension for 4 leaves*	F-SN3M-120		

\* Comes with 2 support legs

Leaves - For tables with devided plate (Solid wood, plate thickness 3 cm)			
Description	Item no.	Price (EURO)	
		Ash	Oak
Ø160 Leaf 50x160 cm	F-SNT3-160		
Ø150 Leaf 50x150 cm	F-SNT3-150		
Ø140 Leaf 50x140 cm	F-SNT3-140		
Ø130 Leaf 50x130 cm	F-SNT3-130		
Ø120 Leaf 50x120 cm	F-SNT3-120		



### Choose leg detail colour

See more info on page 11.

- 
- Black steel**
- Vintage copper look**
- Brass**

### Please note

The extendable Sydney tables are not made in sizes smaller than Ø120 cm, or larger than Ø160 cm.

Ash is standard - Oak + 25%

All prices are purchase prices in Euro.

We accept no liability for any errors or omissions.

# PRICELIST

## SYDNEY Coffee Table



Price: Coffee table (H: 44 cm, plate thickness 3 cm)			
Description	Item no.	Price (EURO)	
		Ash	Oak
Ø110 Undevided plate	F-SNC-110		
Ø100 Undevided plate	F-SNC-100		
Ø90 Undevided plate	F-SNC-90		



### Choose leg detail colour

See more info on page 11.

- 
- Black steel**
- Vintage copper look**
- Brass**

### Please note

The Sydney coffee tables are not made in sizes smaller than Ø80 cm, and no larger than max. Ø120 cm.

Ash is standard - Oak + 25%

All prices are purchase prices in Euro.

We accept no liability for any errors or omissions.





## FSC® CERTIFICATE

*A commitment for a better tomorrow*



We are happy to announce that from 2021 we have achieved the certification that enables us to offer FSC®-labelled products. FSC® stands for "Forest Stewardship Council" and is an international non-profit organisation dedicated to promote responsible forestry. FSC® certifies forests all over the world to ensure that they meet the highest environmental and social standards.

By signing this contract, we have committed ourselves to living up to stricter social requirements and a more sustainable production. We are proud of supporting the FSC® with their work in looking after the forest workers and the wood industry, as well as fighting unsustainable, illegal forestry and deforestation.

The FSC® certification is one of our key initiatives in creating a more sustainable production. We acknowledge that this sustainable transition is a longer journey and not something that happens overnight. But each day they we are committed in doing a little better than yesterday and keep making progress in this matter.

**PLEASE VISIT OUR WEBSITE FOR  
MORE FSC® RELATED INFORMATION**

[www.kristensen.com](http://www.kristensen.com)



The mark of  
responsible forestry

# WOOD COLOURS



## Images for guiding purpose only!

The wood structure and colour will vary from ash and oak.

We therefore recommend using the wood samples/exhibition furniture to get a more accurate impression.



**ASH C3 / OAK C3**  
Lacquered

We treated this wood with lacque.

**C3 are only made for products without patination.**



**ASH C4 / OAK C4**  
Natural oiled

We treated this wood with our 'Natural oil'.



**ASH C6 / OAK C6**  
White oiled

We treated this wood with our 'White oil'.



**ASH C8 / OAK C8**  
Soaped

We treated this wood with soap.



**ASH C11 / OAK C11**  
Dark grey oiled

We treated this wood with our 'Black oil'.



**ASH C12 / OAK C12**  
Antique brown oiled

We treated this wood with our 'Antique brown oil'.



**ASH C13 / OAK C13**  
Light grey oiled

We treated this wood with our 'Light grey oil'.



**ASH C14 / OAK C14**  
Black stained & oiled

We treated this wood with black stain, and treated it with a wax oil.

**C14 is for legs and storage furniture only!**



**ASH C15 / OAK C15**  
Mocca brown oiled

We treated this wood with our 'Mocca brown oil'.



**ASH C16**  
Warm white oiled

We treated this wood with our 'Warm white oil'.

**C16 is only for ash**



**ASH C20 / OAK C20**  
Grey brown oiled

We treated this wood with our 'Grey brown oil'.



**ASH C44 / OAK C44**  
Black matt lacquered

We treated this wood with black stain, and treated it with matt lacque.

**C44 is only for plates and can only be made for products without patination.**



For more information about maintenance, please visit our website:  
[WWW.KRISTENSEN.COM](http://WWW.KRISTENSEN.COM)



We also offers our own repairoils for our products  
- contact us if you need a pricelist.

**Ash is standard - Oak + 25%**

All prices are purchase prices in Euro.

We accept no liability for any errors or omissions.

**kristensen:kristensen®**

All rights reserved Kristensen & Kristensen A/S

10 / 14

# WOOD FINISH



**UP**

**Without patination**

The wood is planned and sanded to achieve a smooth surface.

*With few and smaller knots.*

**Storage furniture can only be made with this finish!**

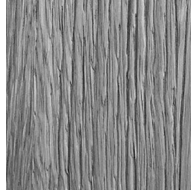


**SC**

**Soft Cracks**

Naturally occurring cracks are made more visible which gives a rustic look with cracks in the surface.

*May contain more and larger knots.*



**RL**

**Raw Look**

We brush off the layer of softer wood which gives a look of wood that has been roughened by natural wear.

*May contain more and larger knots.*



**FK**

**Filled Knots**

The knots are filled and the wood is planned and sanded to achieve a smooth surface.

**Only for OAK!**

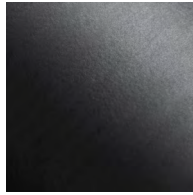
# METAL COLOUR & FINISH

*Only for SYDNEY (the bolts/bushes are always brass)*



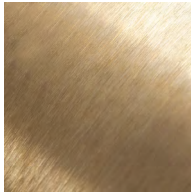
**Vintage Copper look**

Leg detail in a rustic/tactile Vintage Copper look .



**Black steel**

Leg detail in black matt powder coatet steel.



**Brass**

Leg detail in brushed brass.

Brass will get natural patina over time.  
Do **not** use water or any other liquid when cleaning – **only use a dry cloth!**

# EDGE PROFILES



**1**

Harlekin edge



**2**

Arched edge



**3**

Rounded edge



**4**

Straight edge

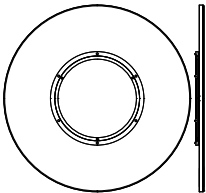
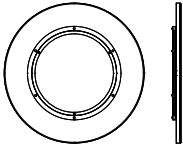
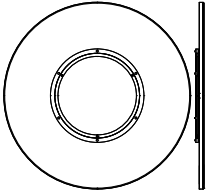
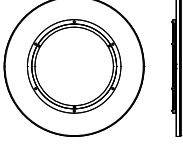
# PRICELIST

Lazy Susan – turntable (rotating tray)



The plate has a turning function.  
The product can be used with all our round dining tables.



Price: LAZY SUSAN, plate thickness 2 cm				
description	item no.	measure (cm)		price (EUR)
		D	H	
 Lazy Susan turning plate in ASH	LAZY-80	80	4	
 Lazy Susan turning plate in ASH	LAZY-60	60	4	
 Lazy Susan turning plate in OAK	LAZY-80	80	4	
 Lazy Susan turning plate in OAK	LAZY-60	60	4	

Edge profile for  
LAZY SUSAN



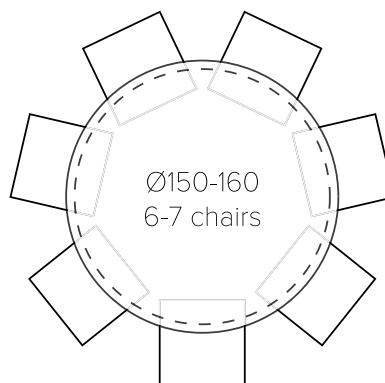
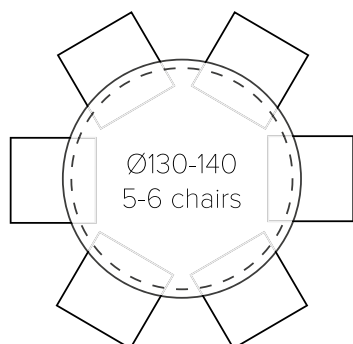
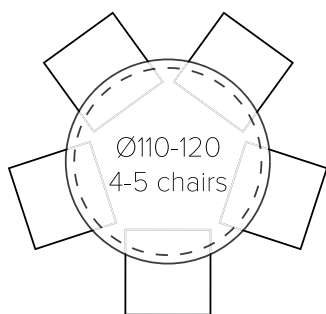
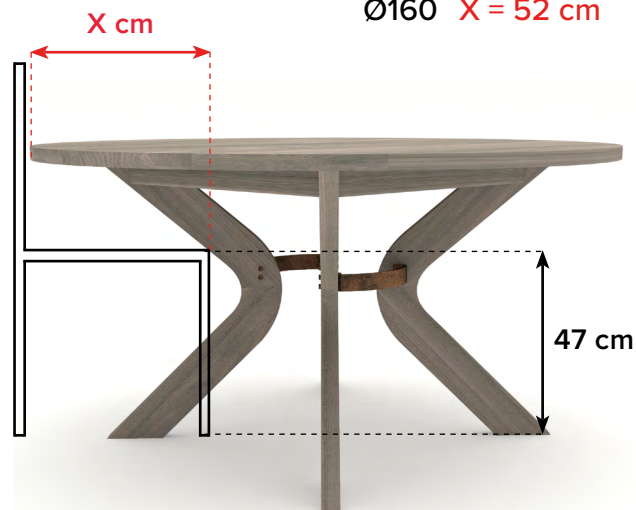
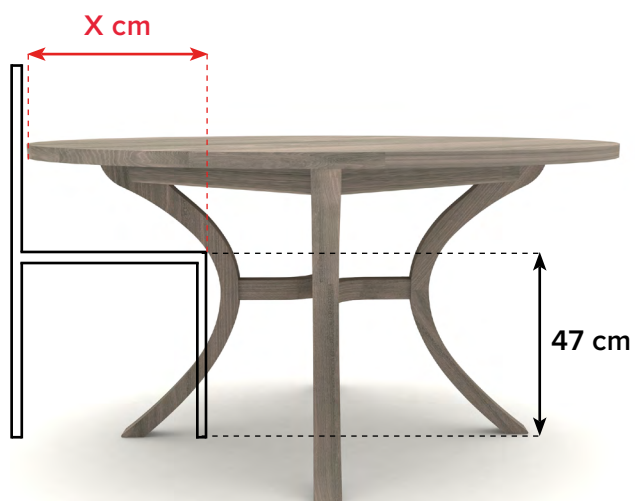
4  
Straight edge

# MEASURES

Measures for estimating the number of chairs fitting around these tables

## Paris / Sydney

- Ø120 X = 32 cm
- Ø130 X = 37 cm
- Ø140 X = 42 cm
- Ø150 X = 47 cm
- Ø160 X = 52 cm



Ash is standard - Oak + 25%

All prices are purchase prices in Euro.

We accept no liability for any errors or omissions.

# CONTACT

---

## CUSTOMISED TABLES

We are able to produce all our table types in special sizes. Furniture in special sizes requires special handling both in terms of manual handling, new drawings, machine settings and packaging. We therefore include a surcharge for products in special sizes, whether the product will be larger or smaller. If you want a table in a smaller size e.g, the price is added 15% on the price of the nearest standard size.

*Contact us for more information!*

### Agent, Norway

Paal Stenvaag

—

✉ post@mobelpaal.no

☎ +47 926 18 628

### Agent, Finland

Jokko Salmevaara

—

✉ jokko.salmevaara@boknas.fi

☎ +358 401 958 886

### Agent, Sweden

Mikael Deragården

—

✉ mikael@deragarden.com

☎ +46 0702 115 125

### Agent, UK

Brendan Brett

—

✉ kristensen@theukagency.co.uk

☎ +44 77 34 265 599

### Head office, Denmark

**PHONE:**

+45 75470303

**WEBSITE:**

www.kristensen.com

**MAIL:**

kristensen@kristensen.dk

**ORDER MAIL:**

order@kristensen.dk

**CLAIMS:**

claim@kristensen.dk

**FAX:**

+45 75470304

**ADDRESS:**

Kristensen & Kristensen A/S  
Storstrømsvej 44  
6715 Esbjerg N  
DK - Denmark

**TERMS & CONDITIONS**

—

Can be sent via email by request – contact:

**kristensen@kristensen.com**

