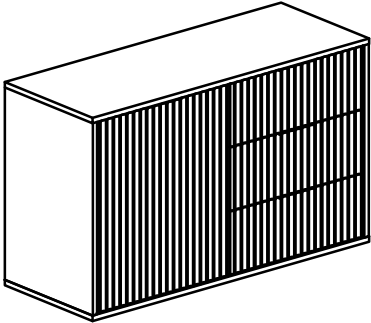
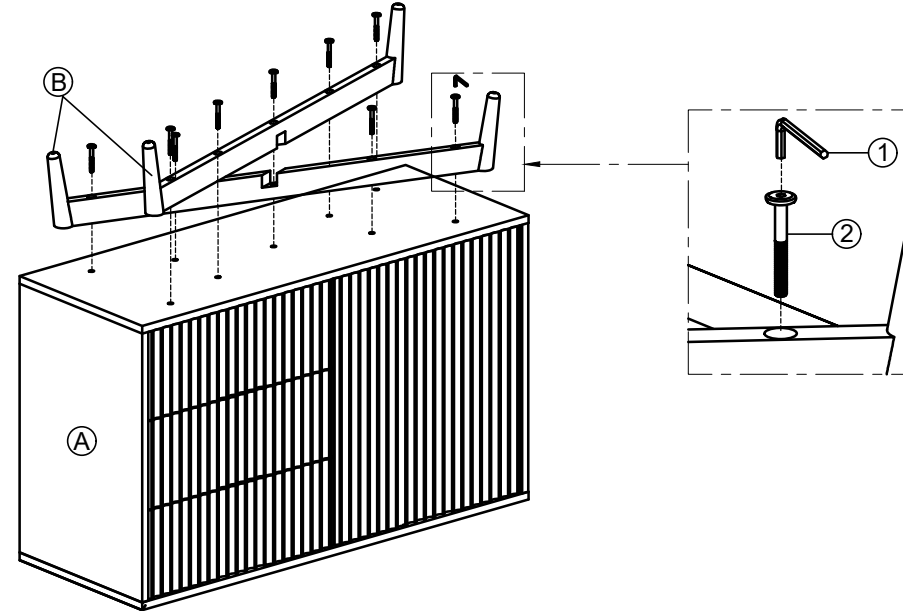
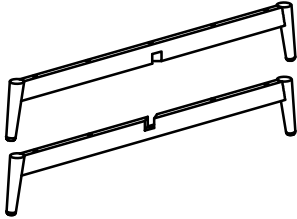


ASSEMBLY INSTRUCTION G7349 - SMALL SIDEBOARD

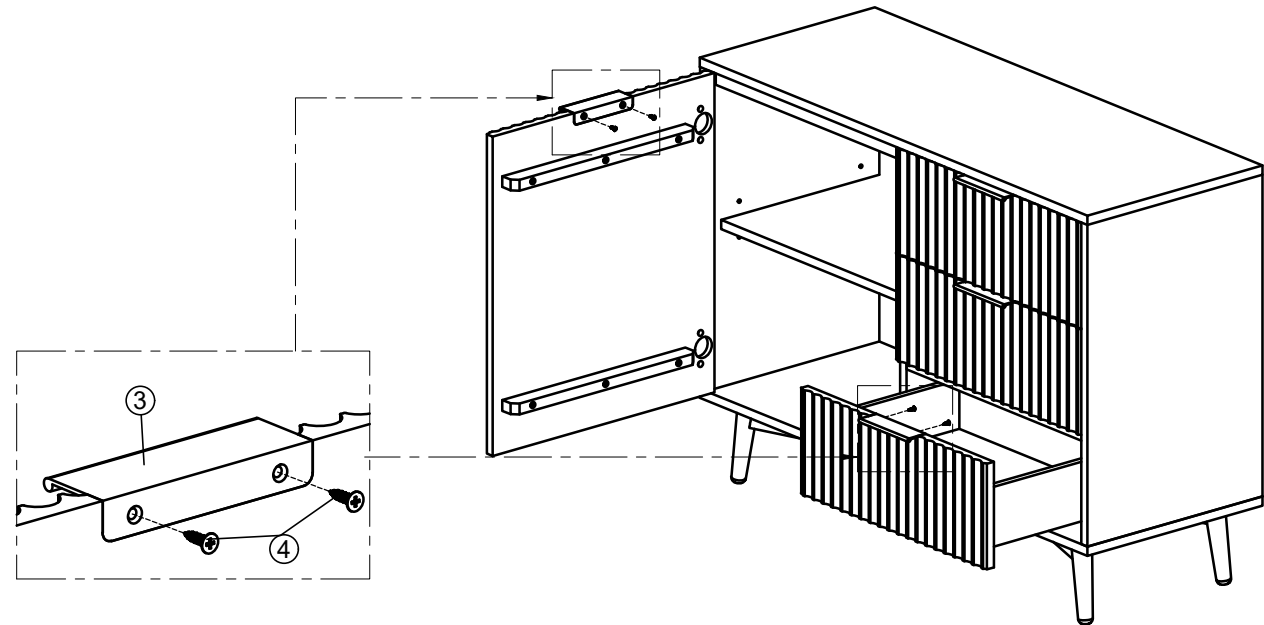
No	PARTS NAME	Q.ty (pcs)
A	 Small Sideboard	1



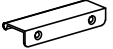





STEP 1



B	 Legs Frame	1 Set
---	---	-------

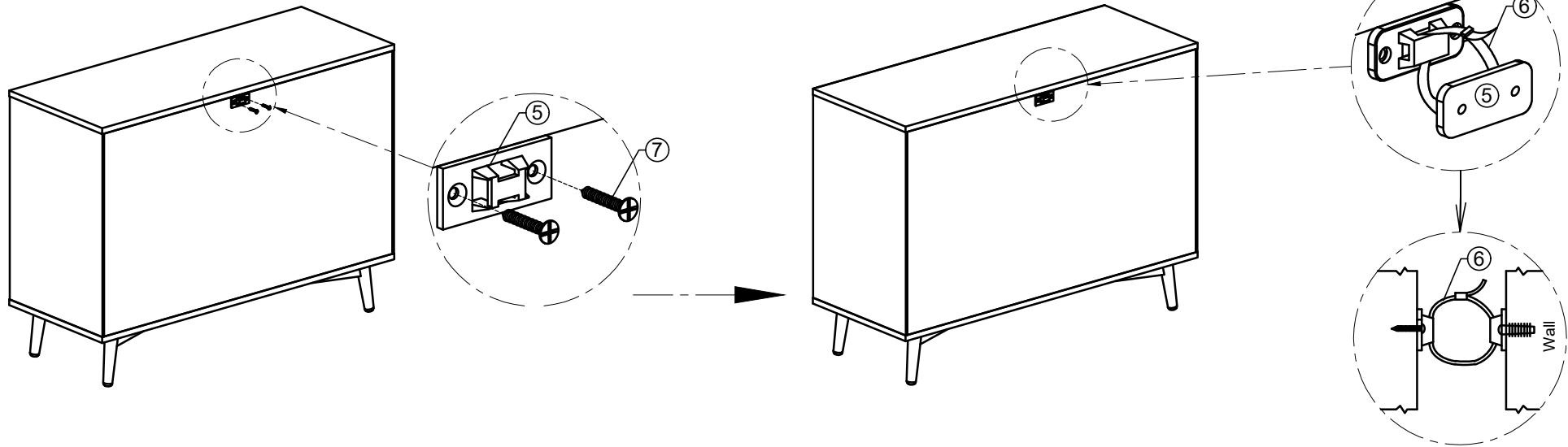
STEP 2



No	LIST OF HARDWARE		Q.ty (pcs)
①	Bolts M6x55		9
②	Allen key K4		1
③	Handles		4
④	Flat screw Ø3.5 x 12		8
⑤	Plastic bracket		2
⑥	Tie		1
⑦	Screw Ø4x20		2
Screwdriver (not included)			

ASSEMBLY INSTRUCTION G7349 - SMALL SIDEBOARD

STEP 3



FINAL

