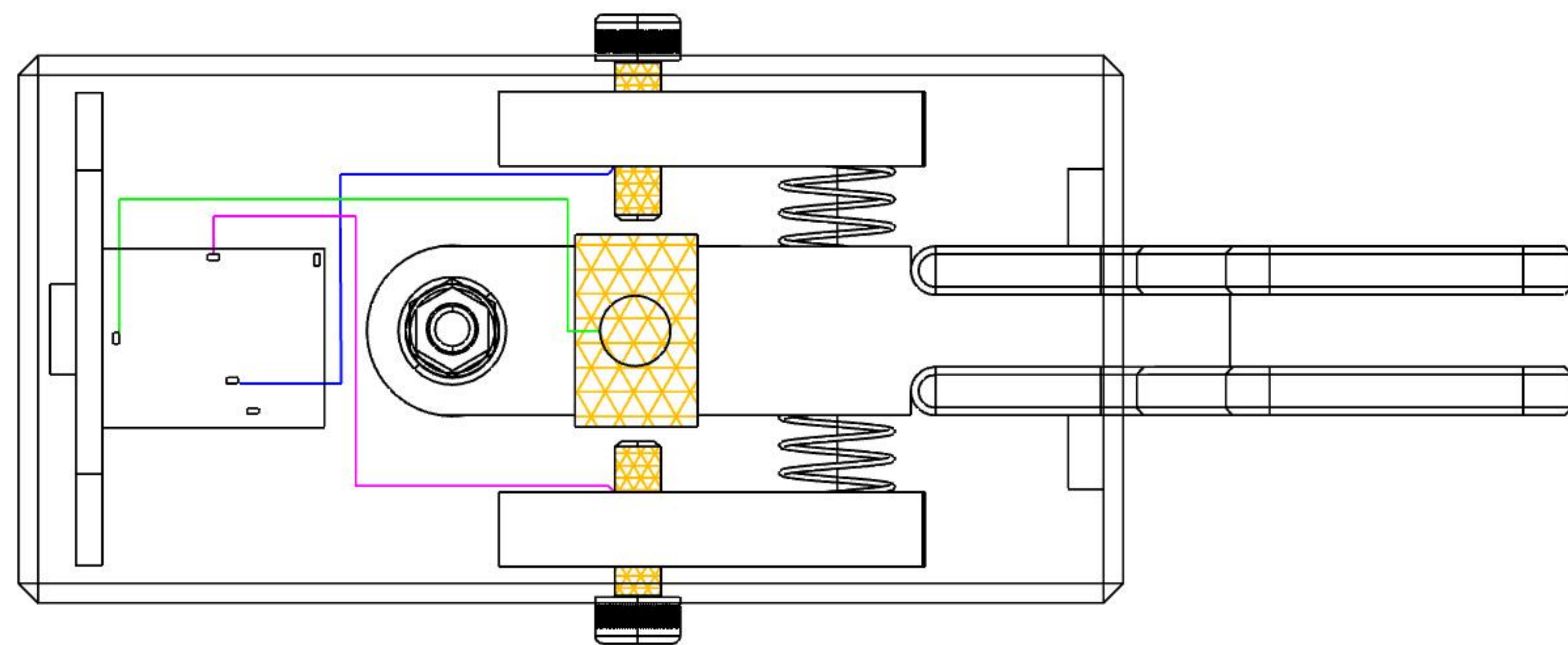


# CW Morse 41 Series

## *High Speed Single Paddle*

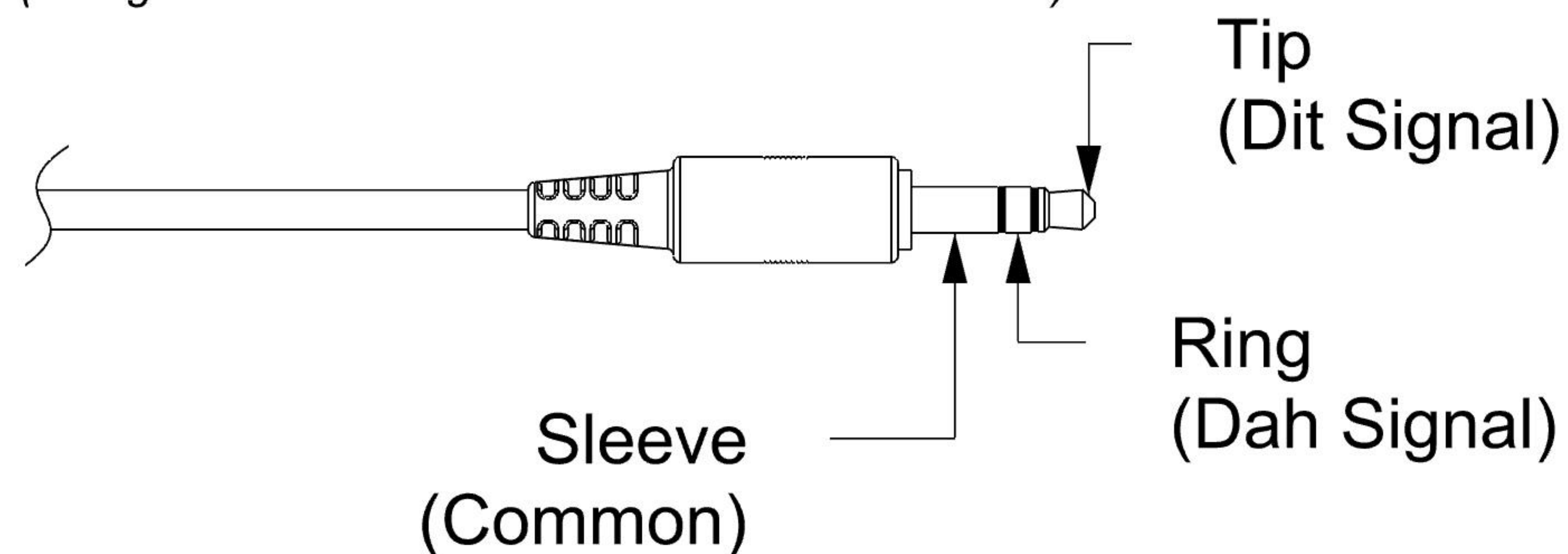
---



Iambic Style Single Arm Paddle  
2 Double Sealed Ball Bearings  
Stainless Steel Hardware  
Solid Brass Contacts  
Adjustable Gap Sets  
Made In the USA

### IAMBIC SINGLE PADDLE SIGNAL DIAGRAM

*(Using A Standard 3.5mm TRS Stereo AUX Cable)*



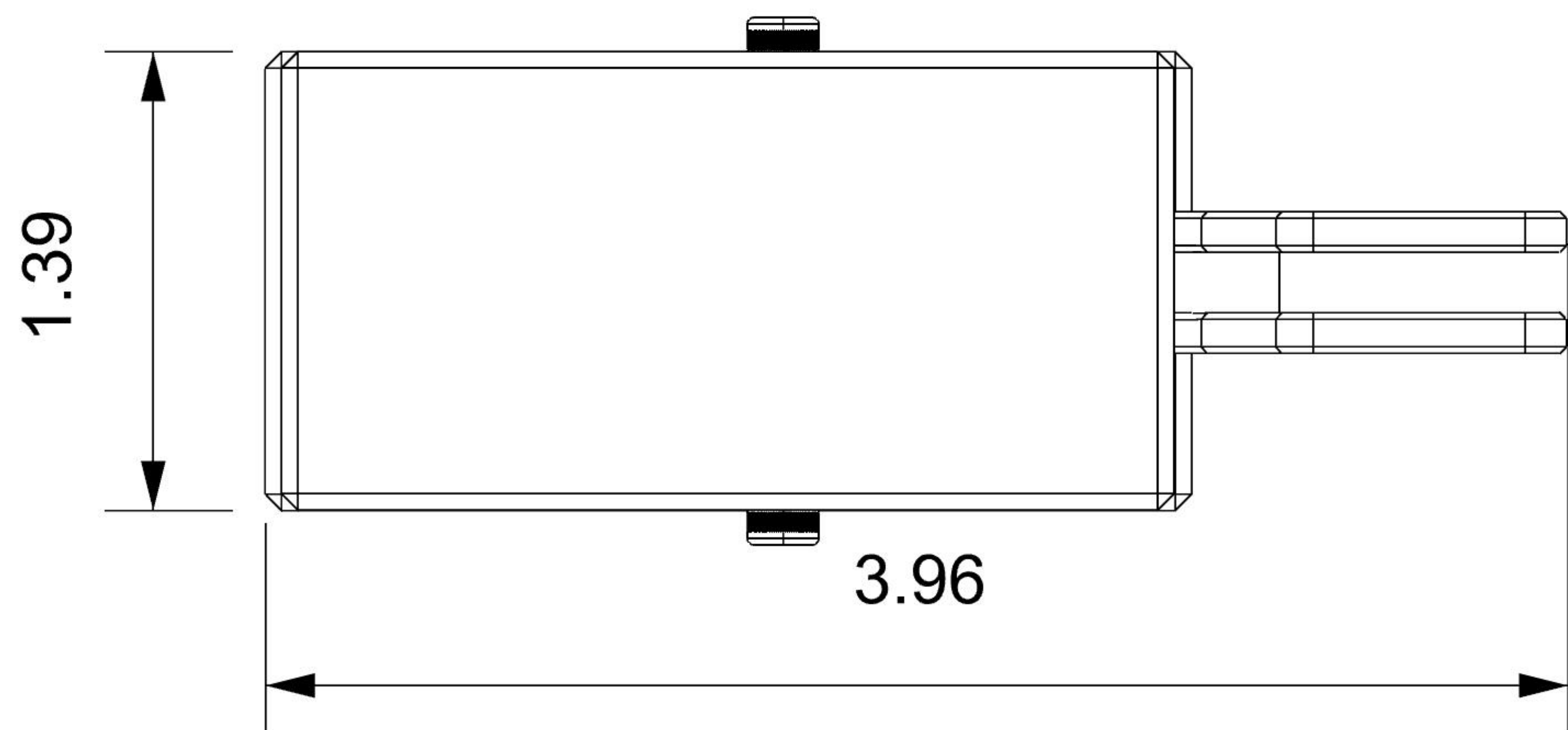
CW Morse 41 Series  
*High Speed Single Paddle*

Data Sheet

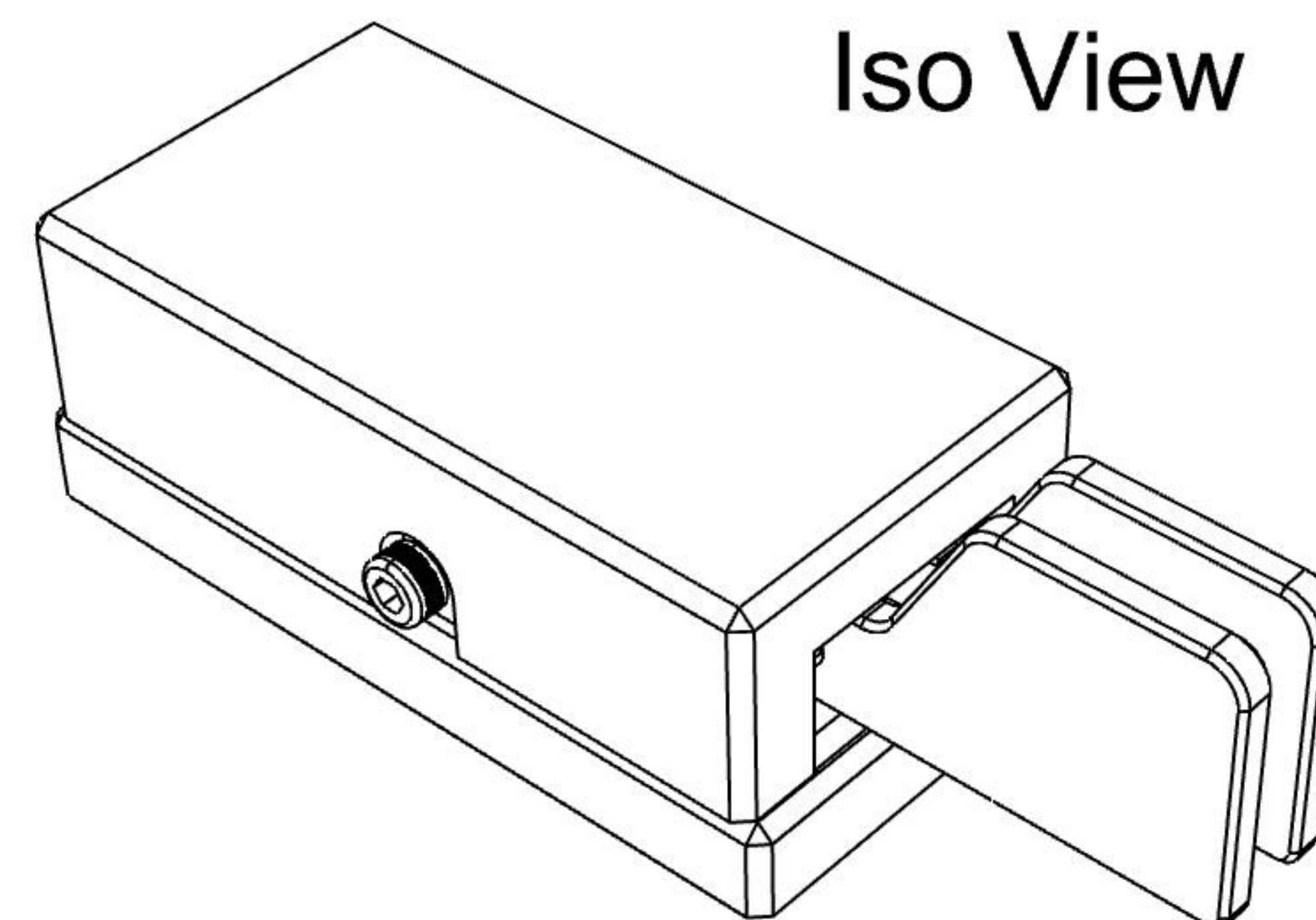
**All Rights Reserved**  
**2022 CW Morse LLC**  
**cwmorse.us**



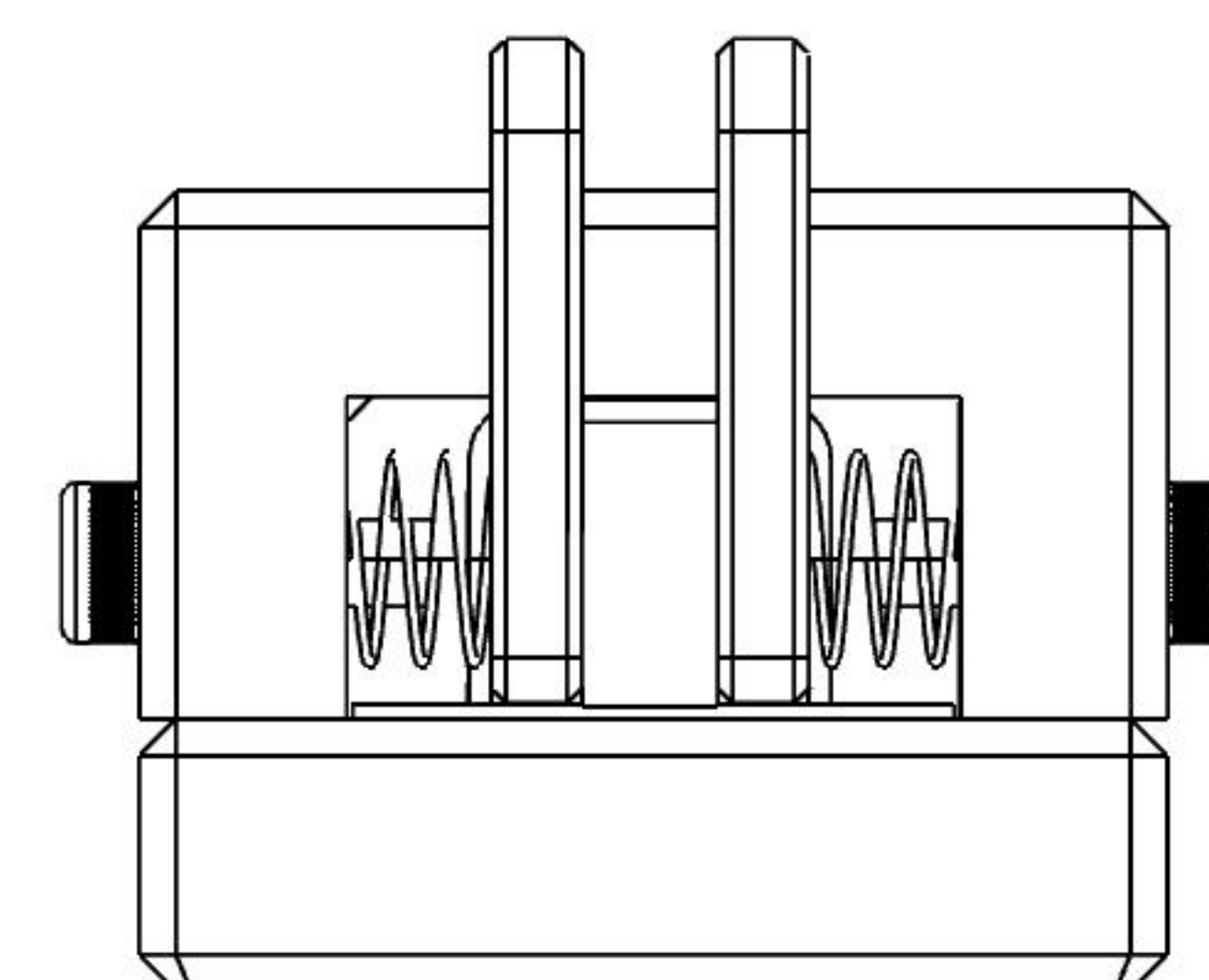
Top View



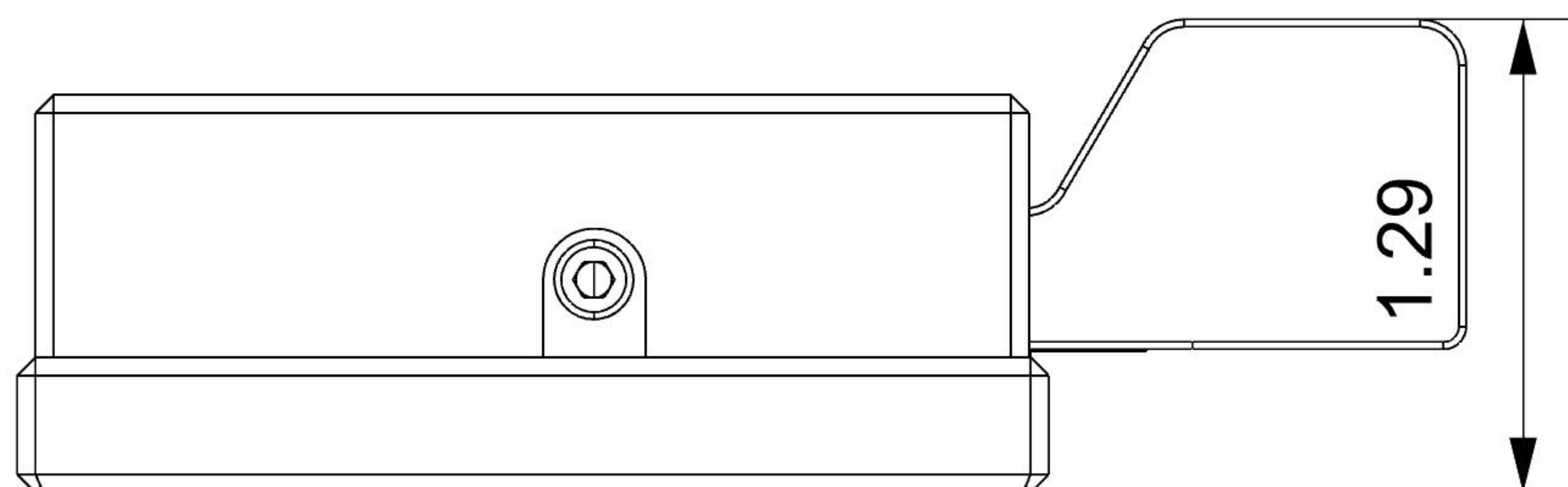
Iso View



Front View



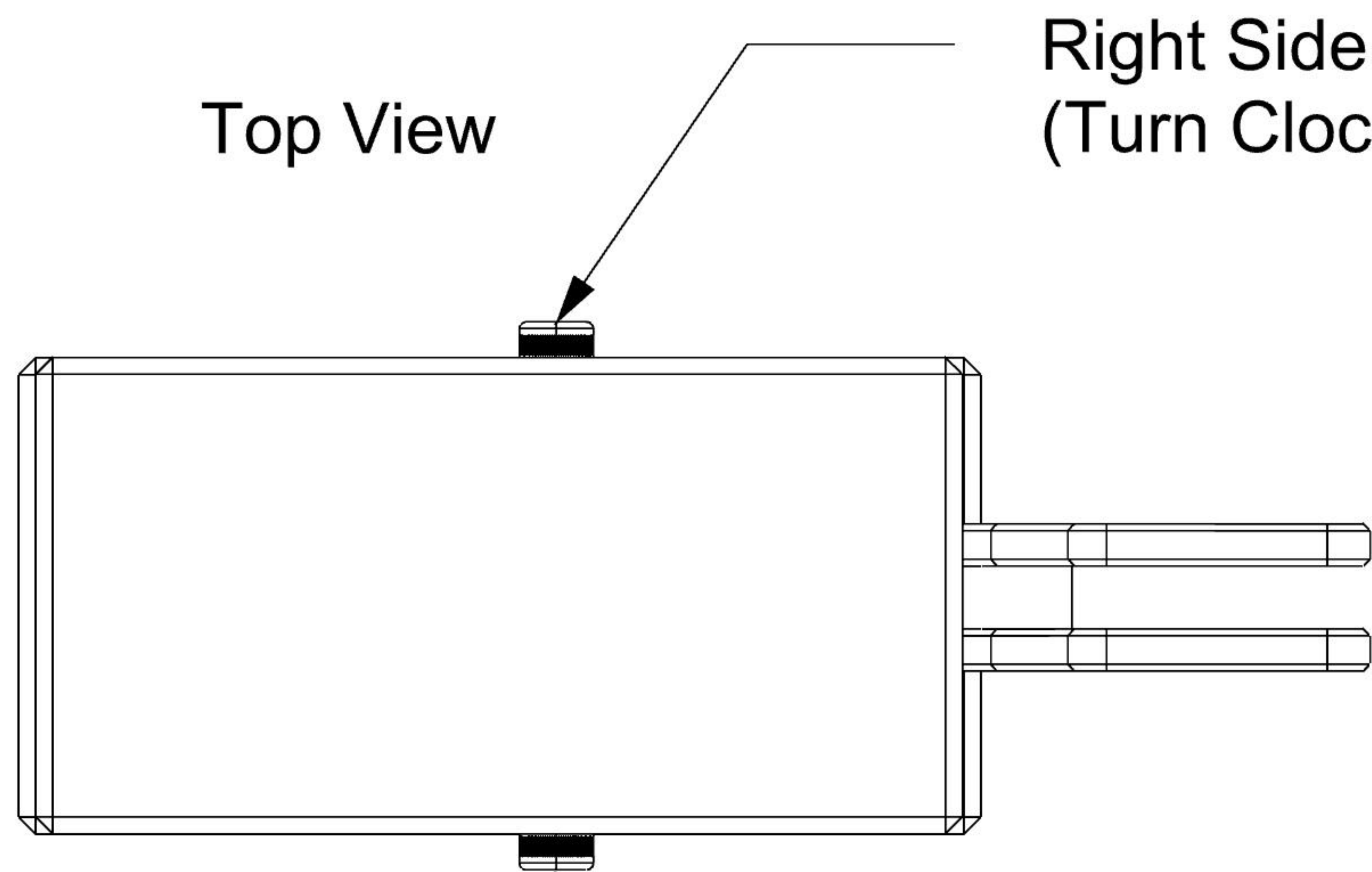
SideView



CW Morse 41 Series  
*High Speed Single Paddle*

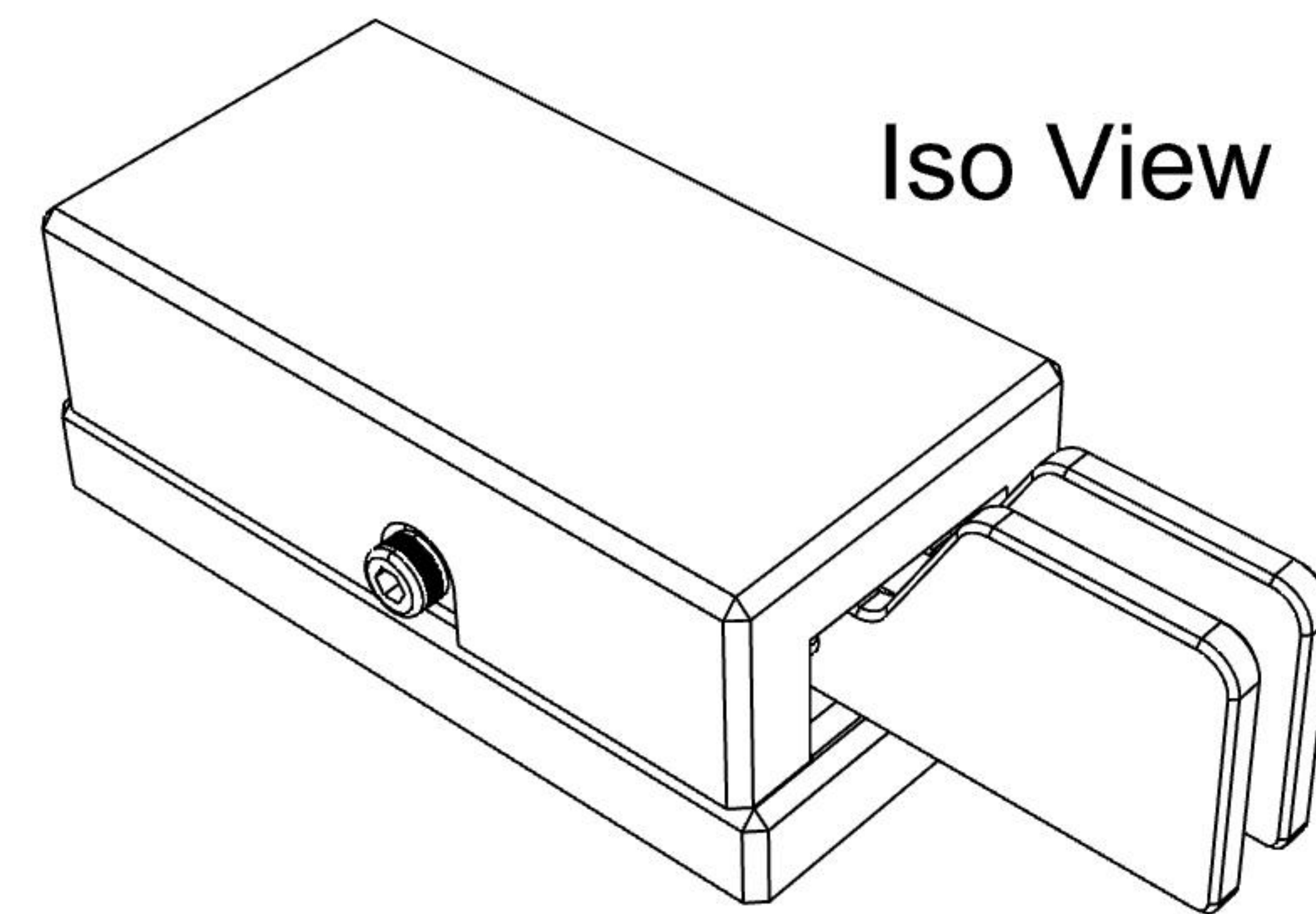
All Dimensions in Inches

**All Rights Reserved**  
**2022 CW Morse LLC**  
**cwmorse.us**

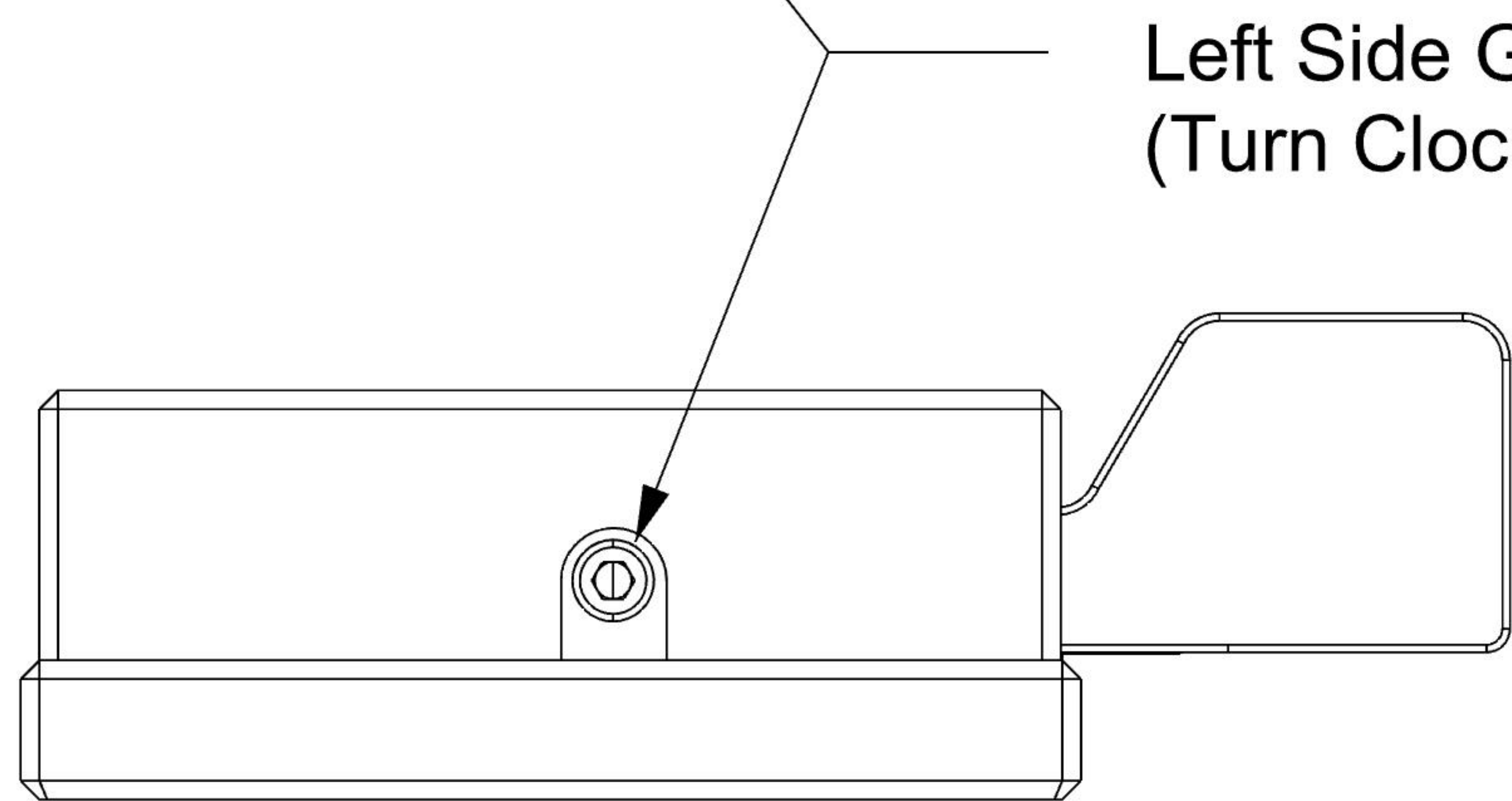


Top View

Right Side Gap  
(Turn Clockwise to Reduce Gap)



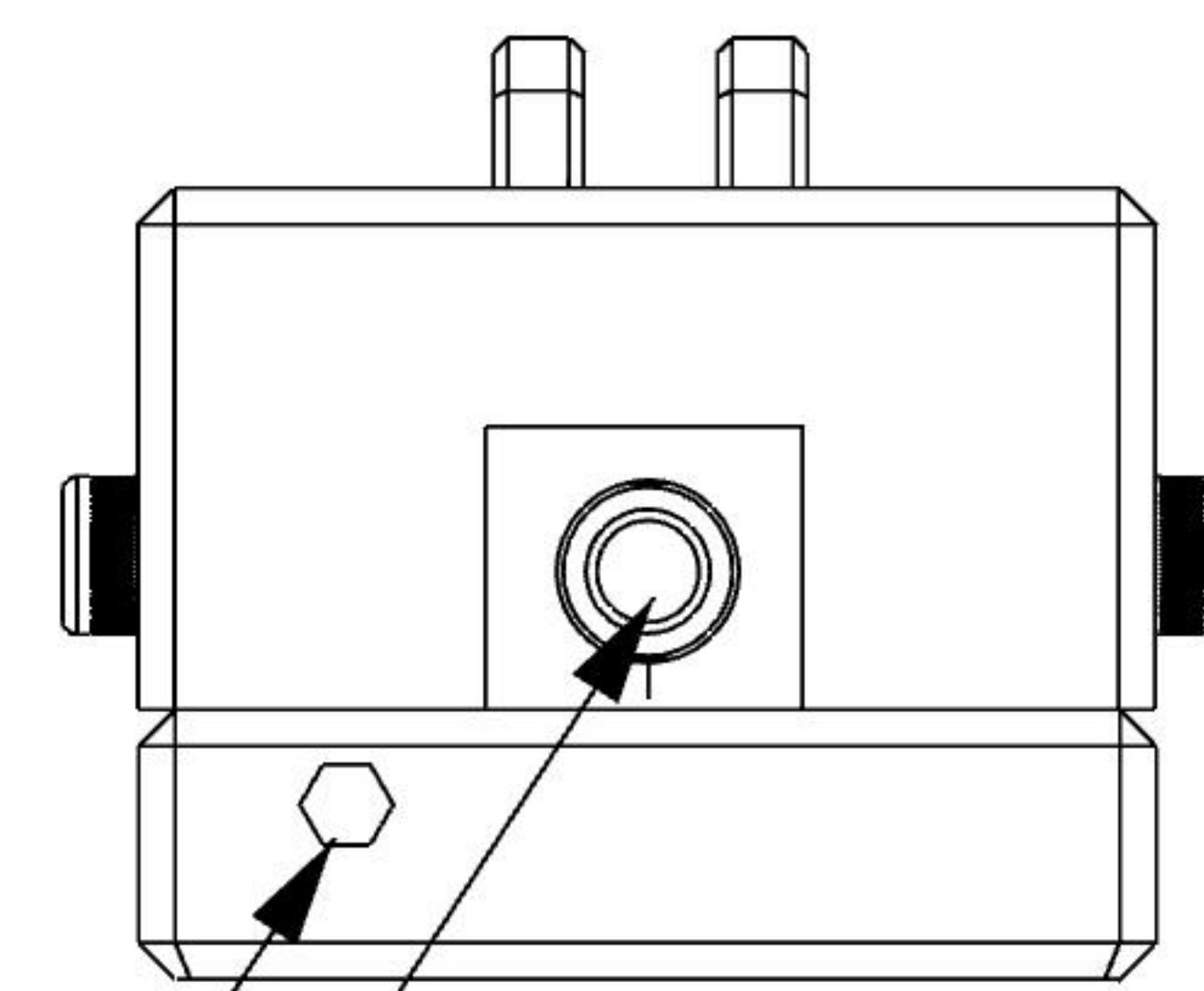
Iso View



SideView

Left Side Gap  
(Turn Clockwise to Reduce Gap)

Front View



Wrench Slot

3.5mm Aux Stereo Receptacle

CW Morse 41 Series  
*High Speed Single Paddle*

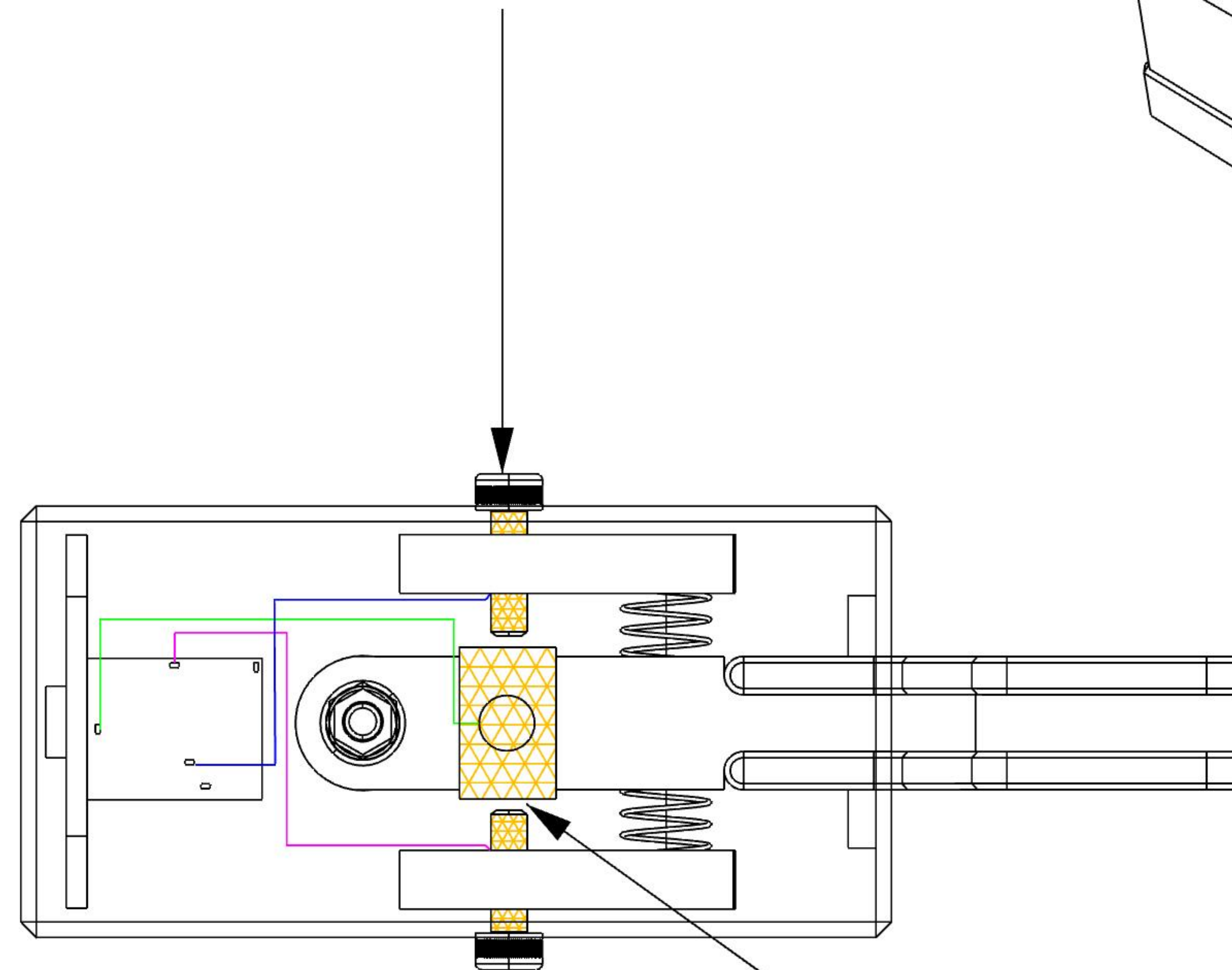
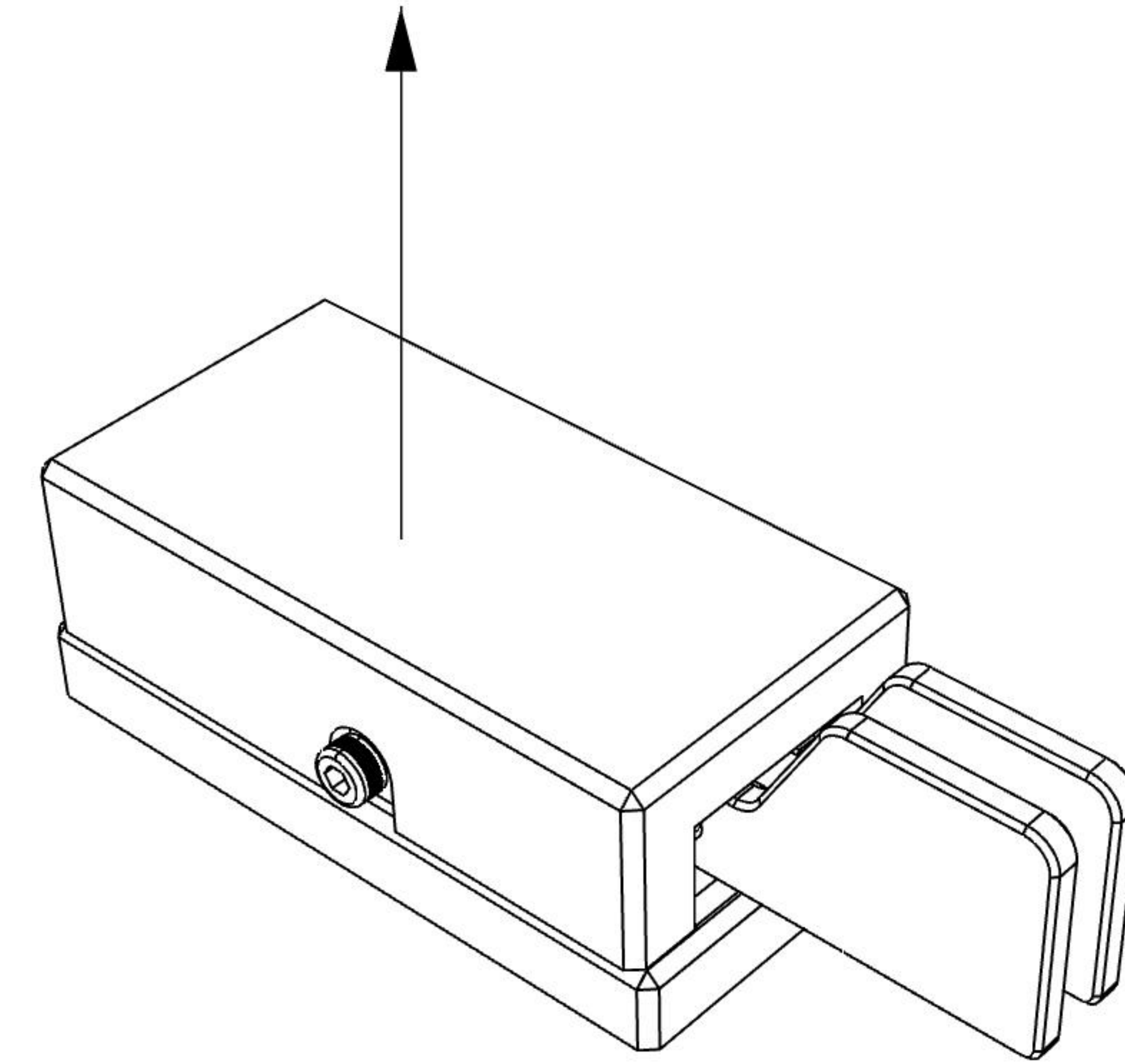
Features

**All Rights Reserved**  
**2022 CW Morse LLC**  
**cwmorse.us**



# Cleaning and Maintenance

1. Remove Dust Cover By Pulling Straight Up
2. Clean with Compressed Air or Dry Paint Brush
3. Should Contacts Need Tarnish Removed



## How To Clean The Solid Brass Contacts:

Use a small strip of 220 grit sandpaper or Paper Nail File.  
Close Contacts gently and Pull Sandpaper Through  
Flip Paper Over And Repeat

CW Morse 41 Series  
*High Speed Single Paddle*

Cleaning

**All Rights Reserved**  
**2022 CW Morse LLC**  
**cwmorse.us**