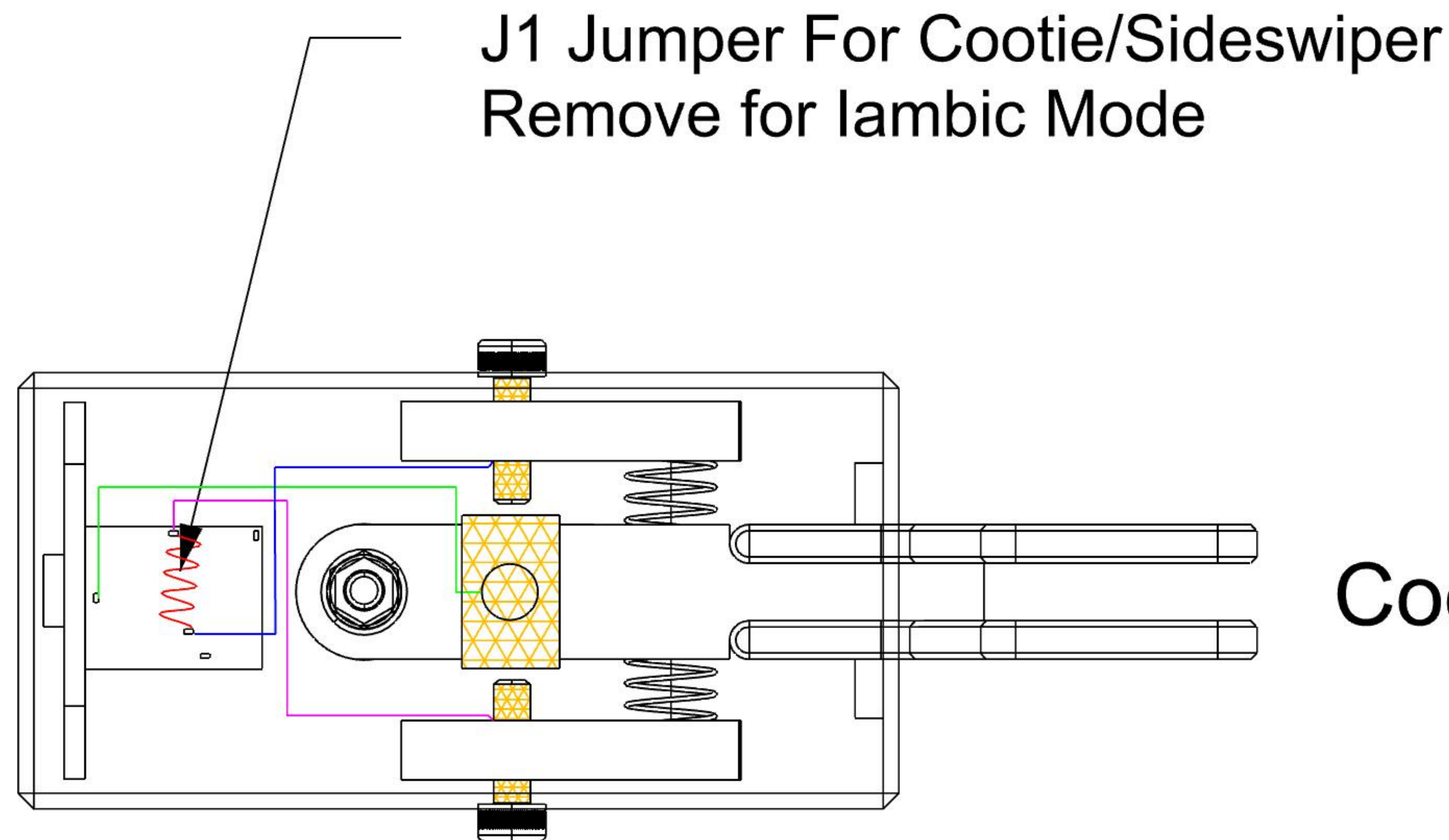


CW Morse 41 Series

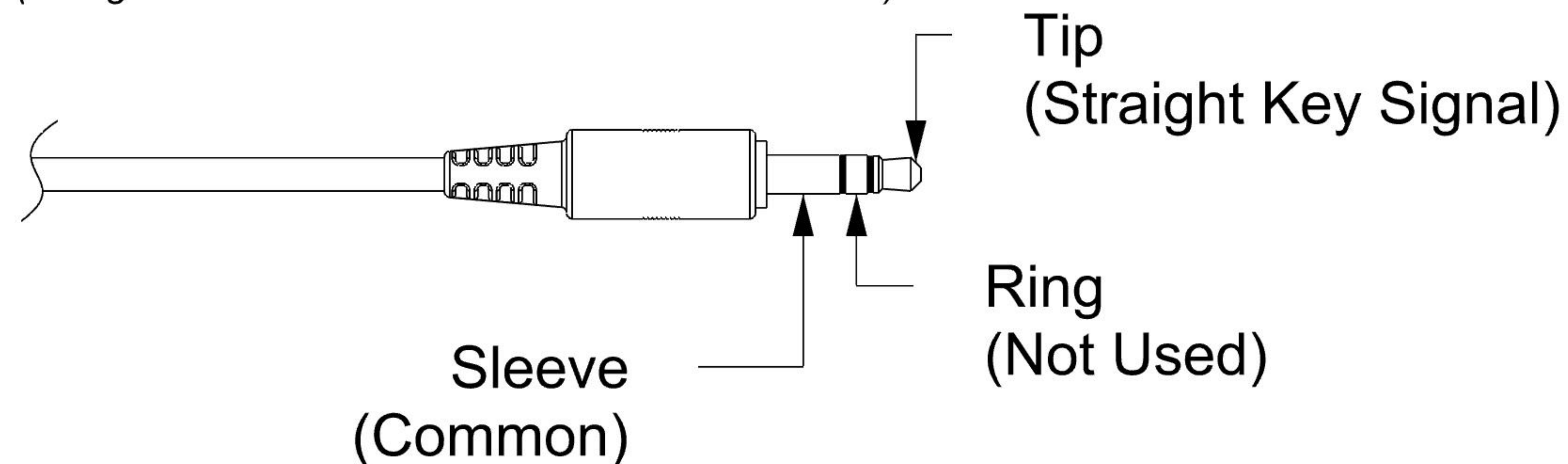
High Speed Single Paddle



Cootie Style Single Arm Paddle
 2 Double Sealed Ball Bearings
 Stainless Steel Hardware
 Solid Brass Contacts
 Adjustable Gap Sets
 Made In the USA

COOTIE SINGLE PADDLE SIGNAL DIAGRAM

(Using A Standard 3.5mm TRS Stereo AUX Cable)

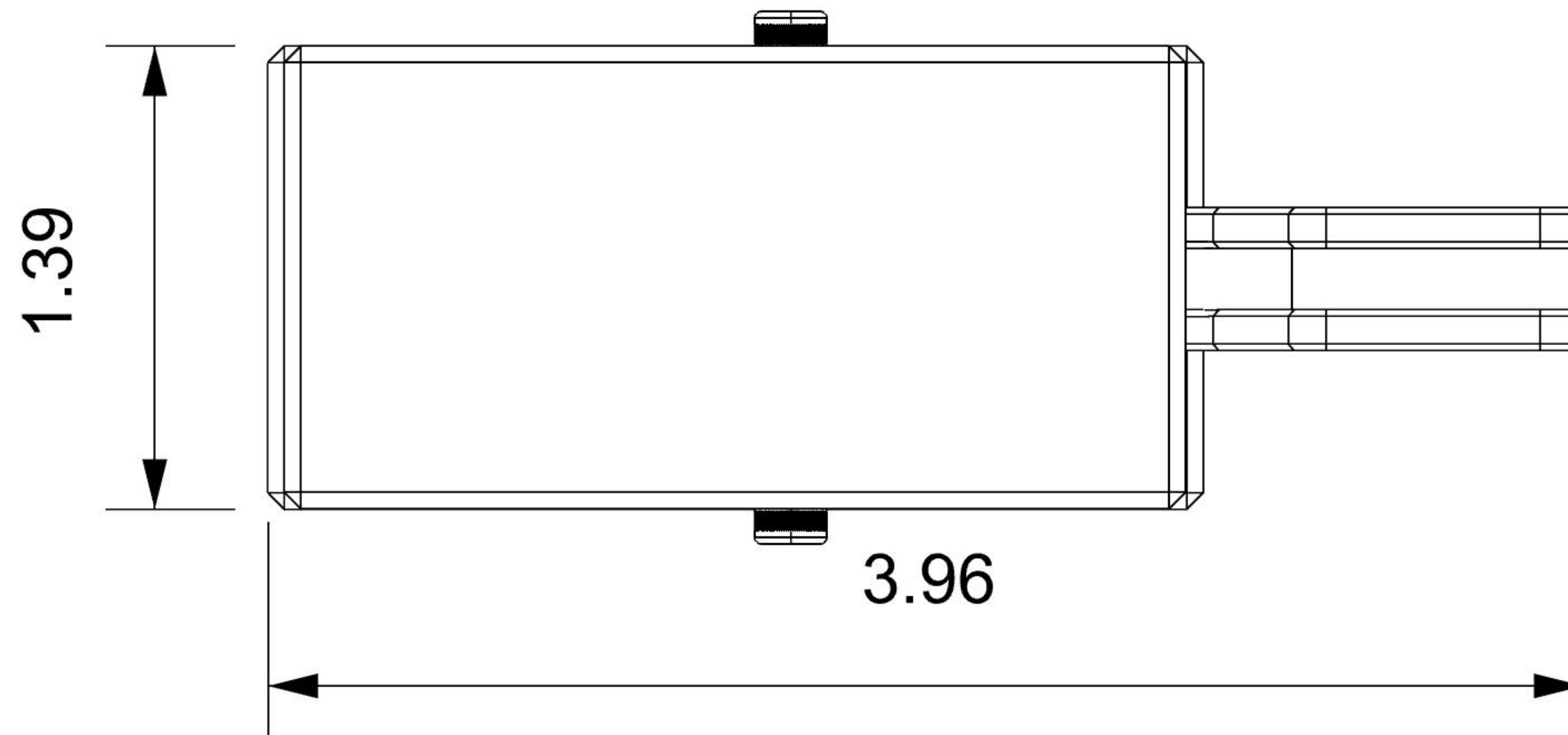


CW Morse 41 Series
High Speed Single Paddle

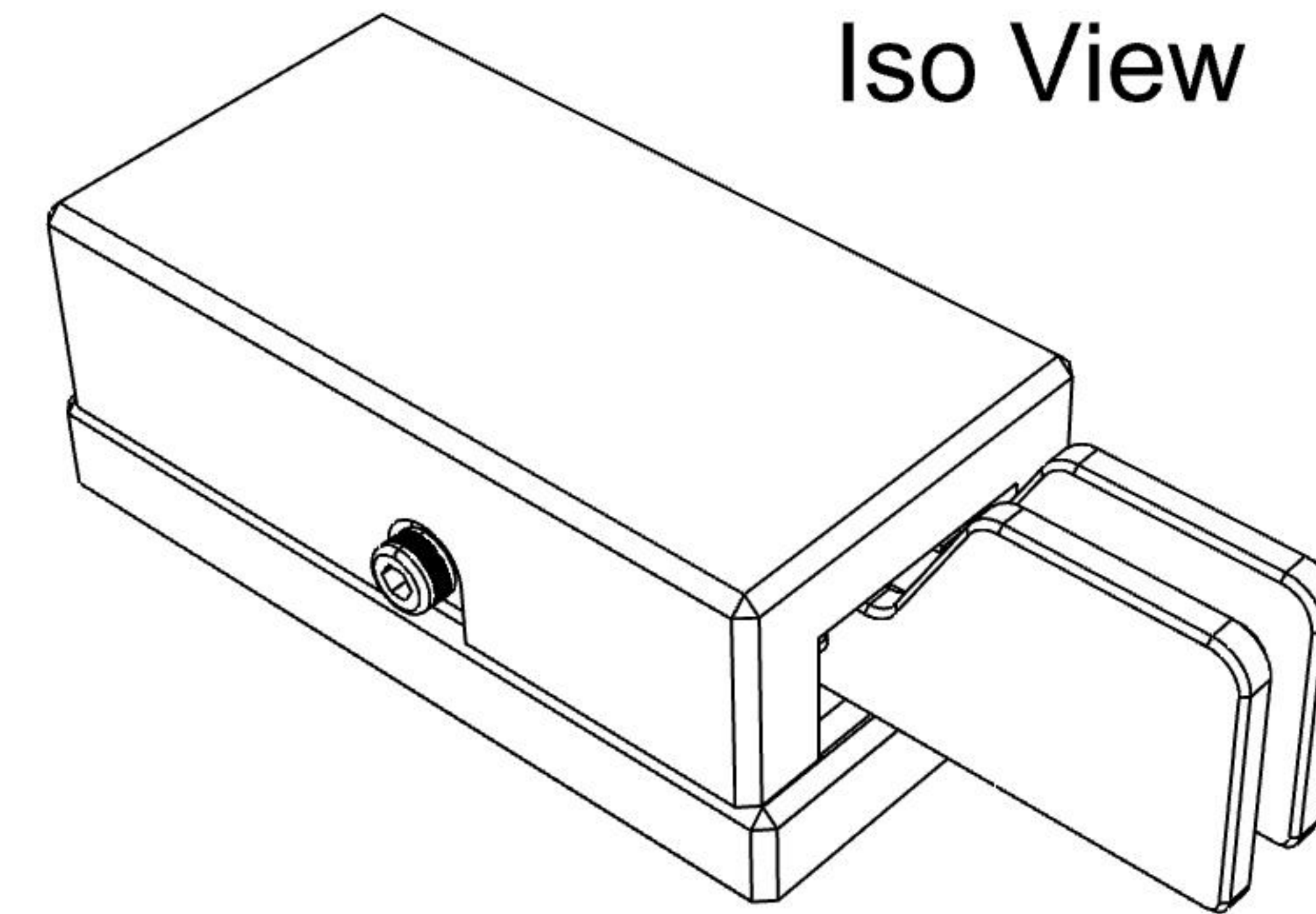
Data Sheet

All Rights Reserved
2022 CW Morse LLC
 cwmorse.us

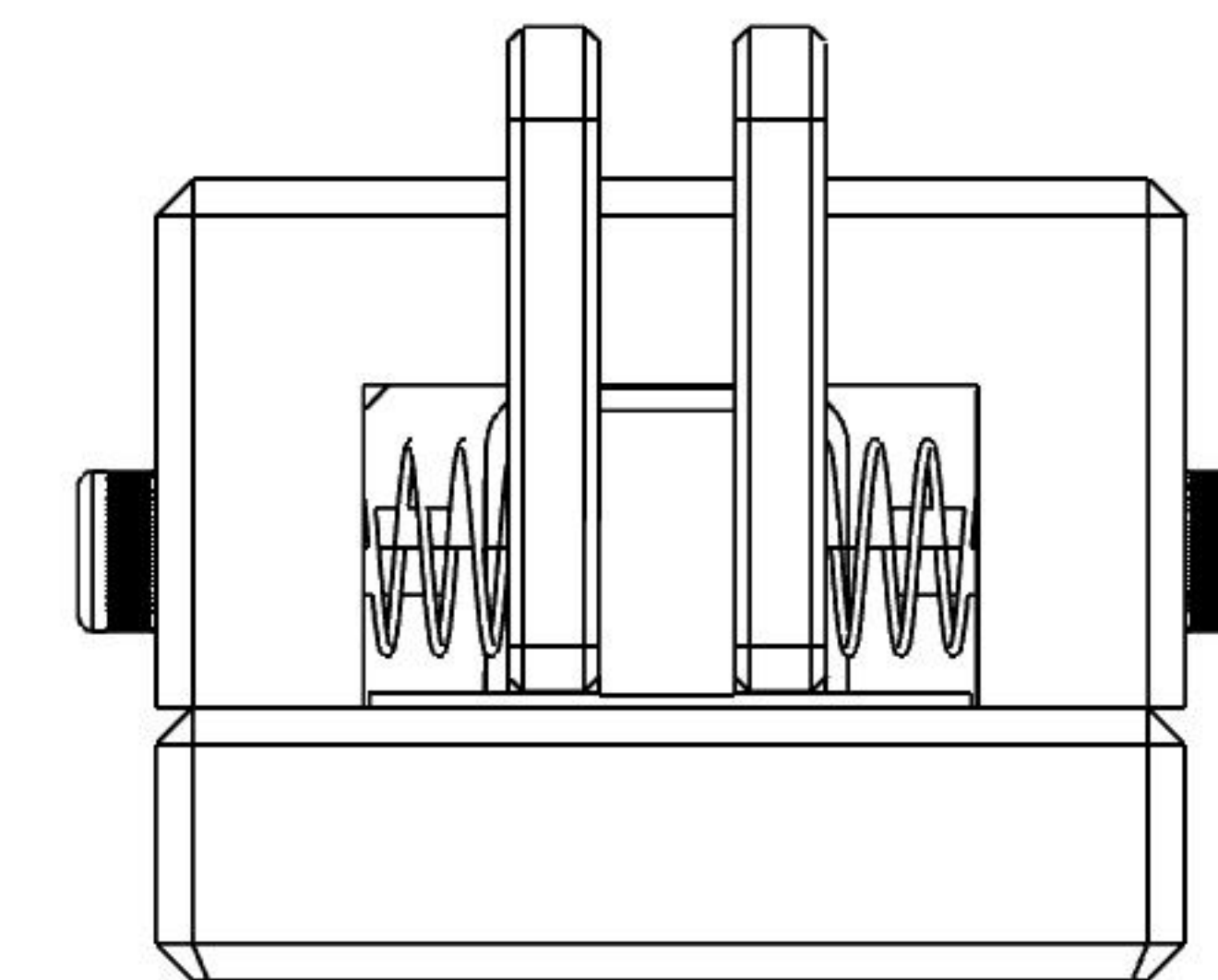
Top View



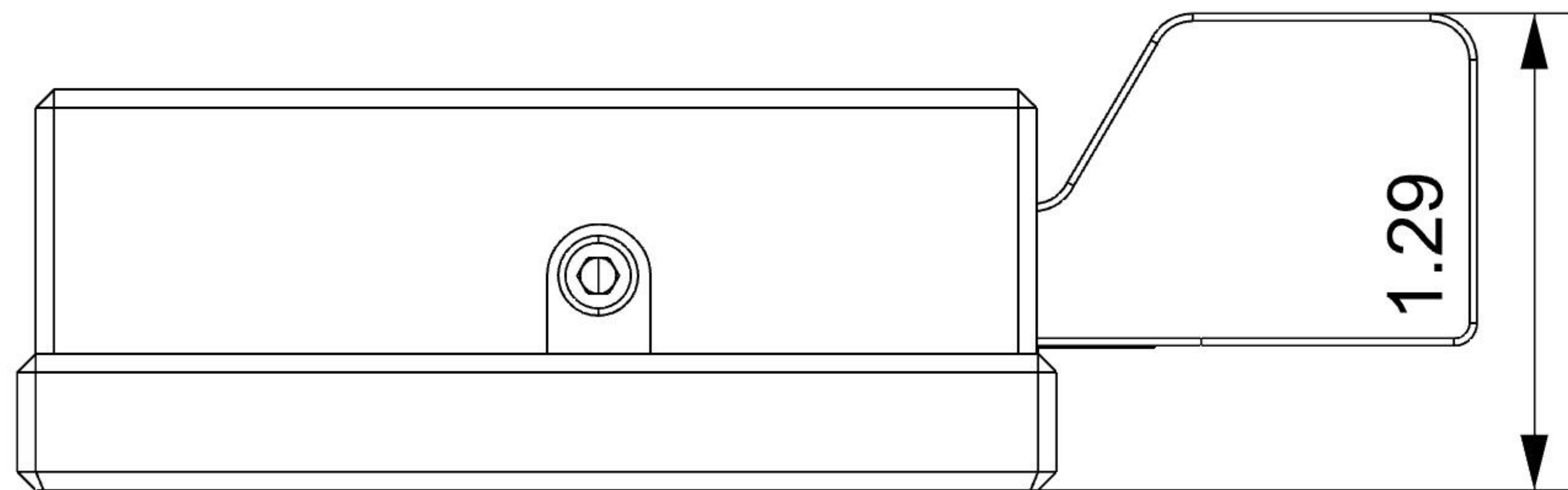
Iso View



Front View



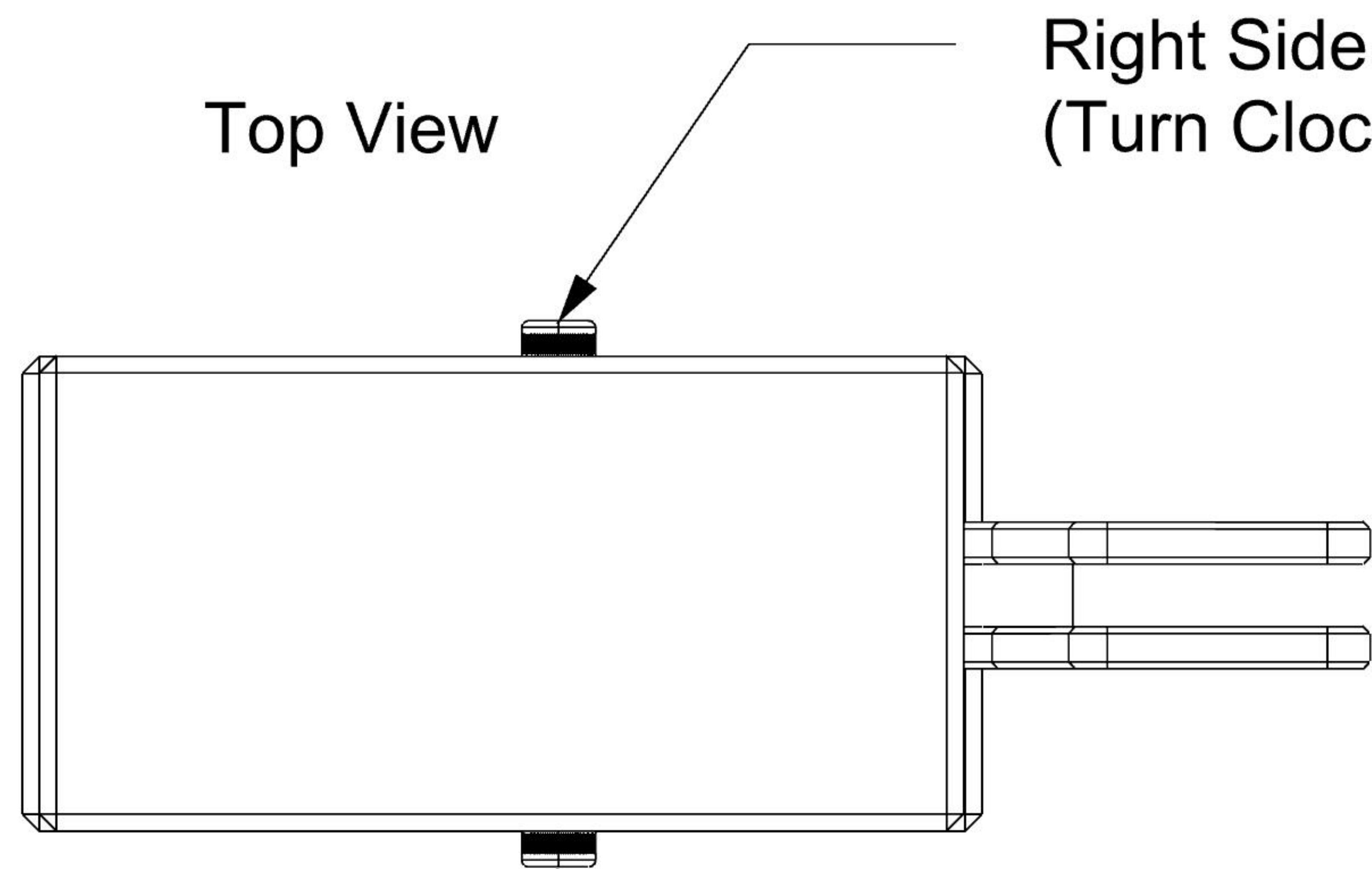
SideView



CW Morse 41 Series
High Speed Single Paddle

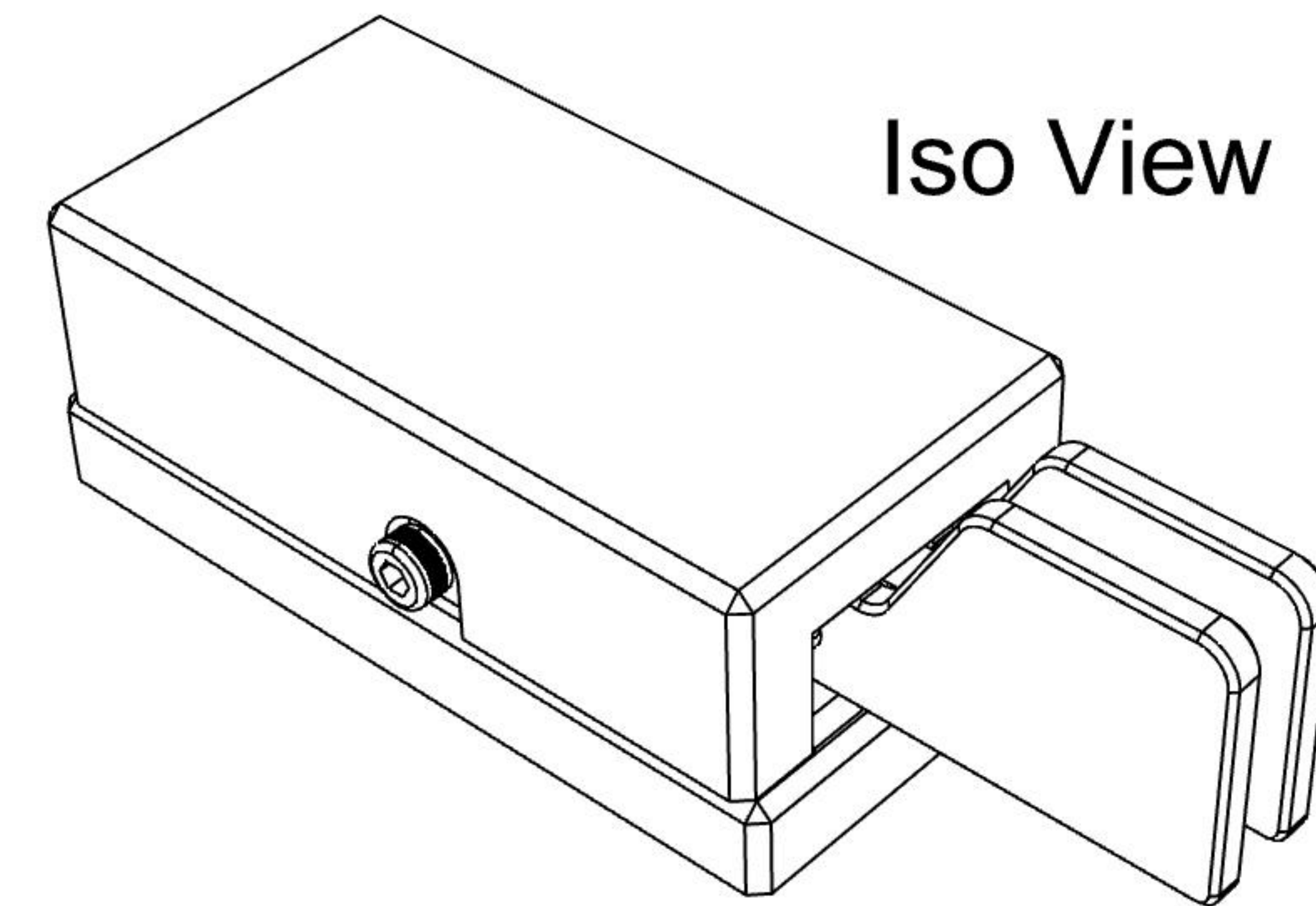
All Dimensions in Inches

All Rights Reserved
2022 CW Morse LLC
cwmorse.us

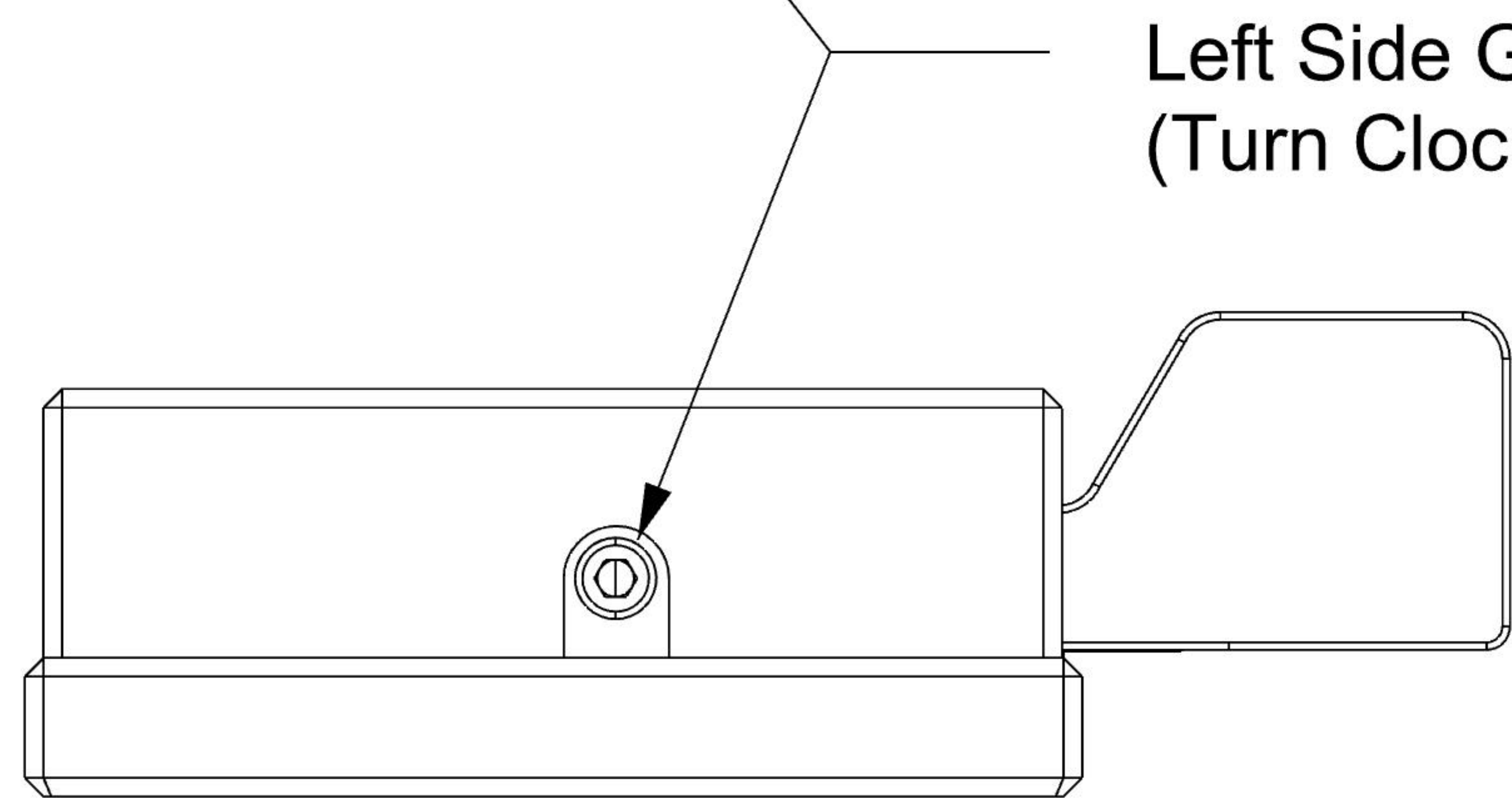


Top View

Right Side Gap
(Turn Clockwise to Reduce Gap)



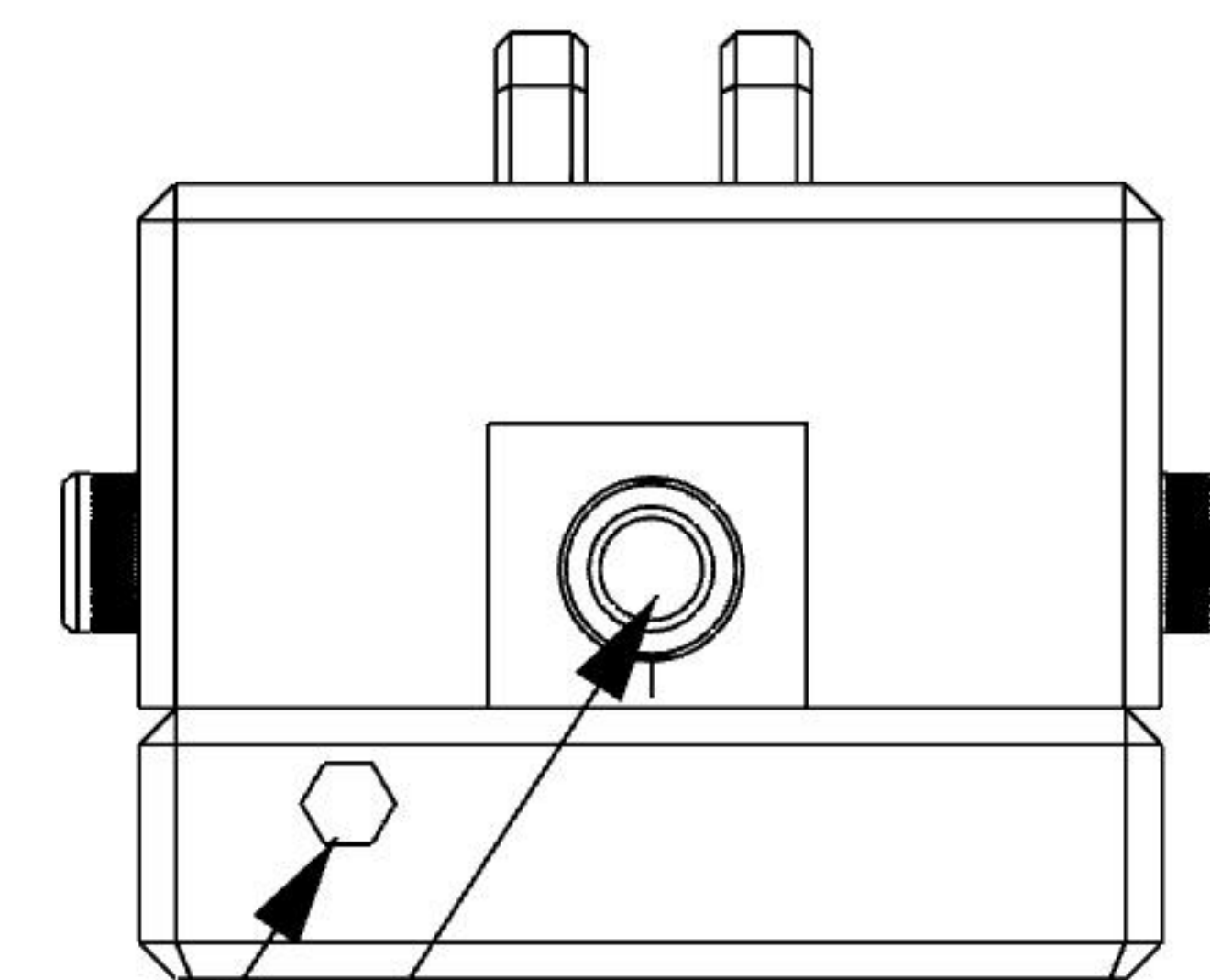
Iso View



SideView

Left Side Gap
(Turn Clockwise to Reduce Gap)

Front View



Wrench Slot

3.5mm Aux Stereo Receptacle

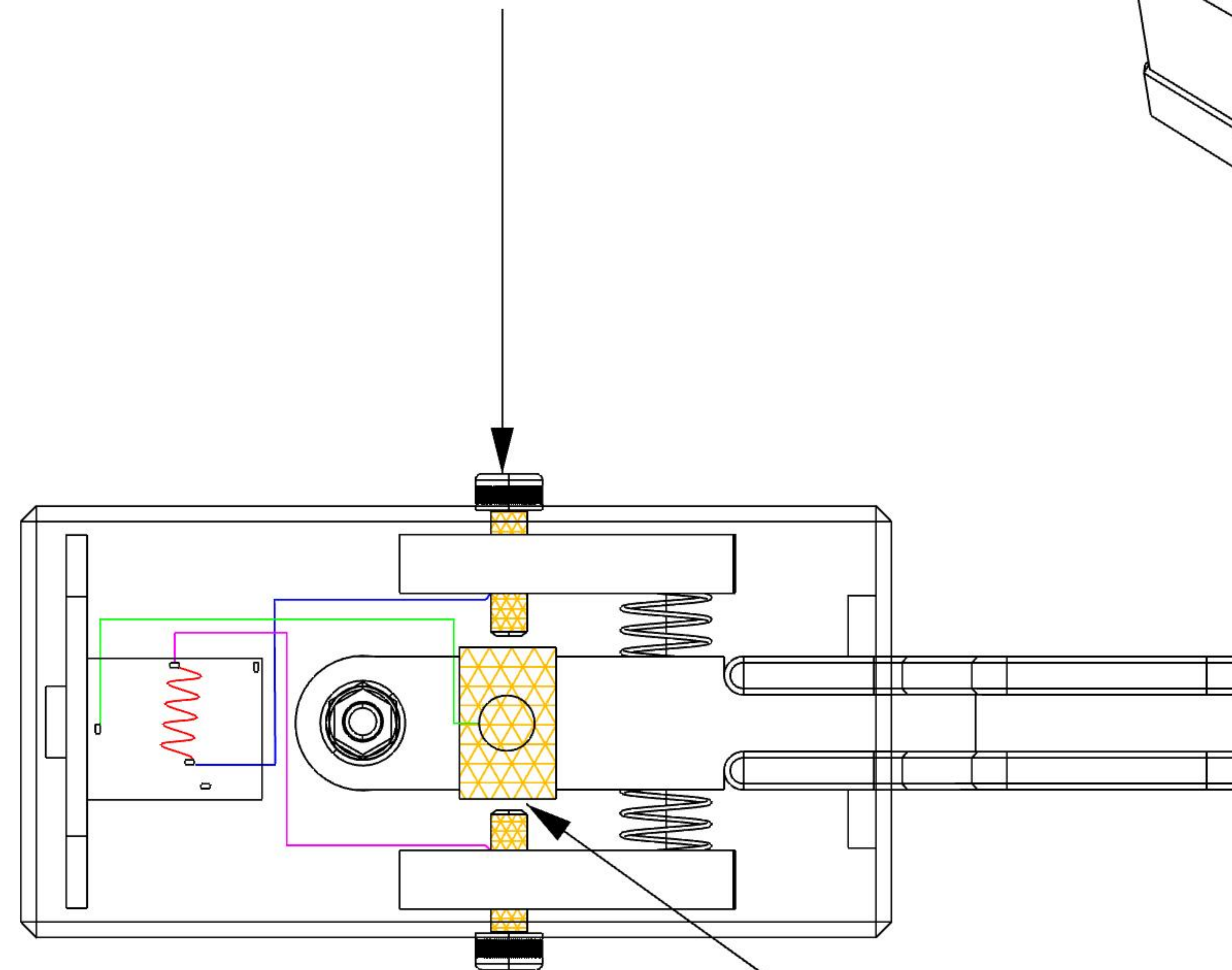
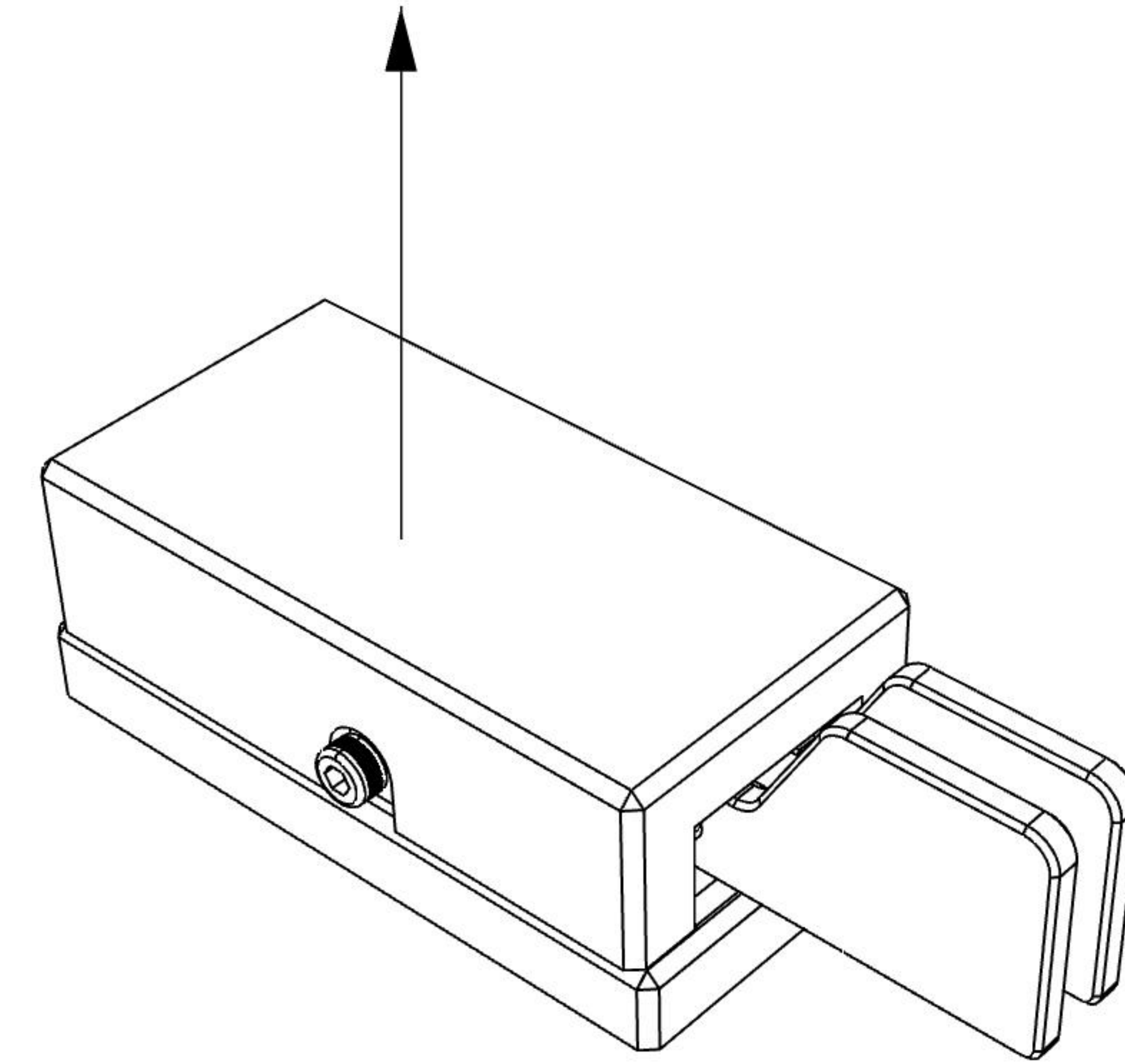
CW Morse 41 Series
High Speed Single Paddle

Features

All Rights Reserved
2022 CW Morse LLC
cwmorse.us

Cleaning and Maintenance

1. Remove Dust Cover By Pulling Straight Up
2. Clean with Compressed Air or Dry Paint Brush
3. Should Contacts Need Tarnish Removed



How To Clean The Solid Brass Contacts:

Use a small strip of 220 grit sandpaper or Paper Nail File.
Close Contacts gently and Pull Sandpaper Through
Flip Paper Over And Repeat

CW Morse 41 Series
High Speed Single Paddle

Cleaning

All Rights Reserved
2022 CW Morse LLC
cwmorse.us