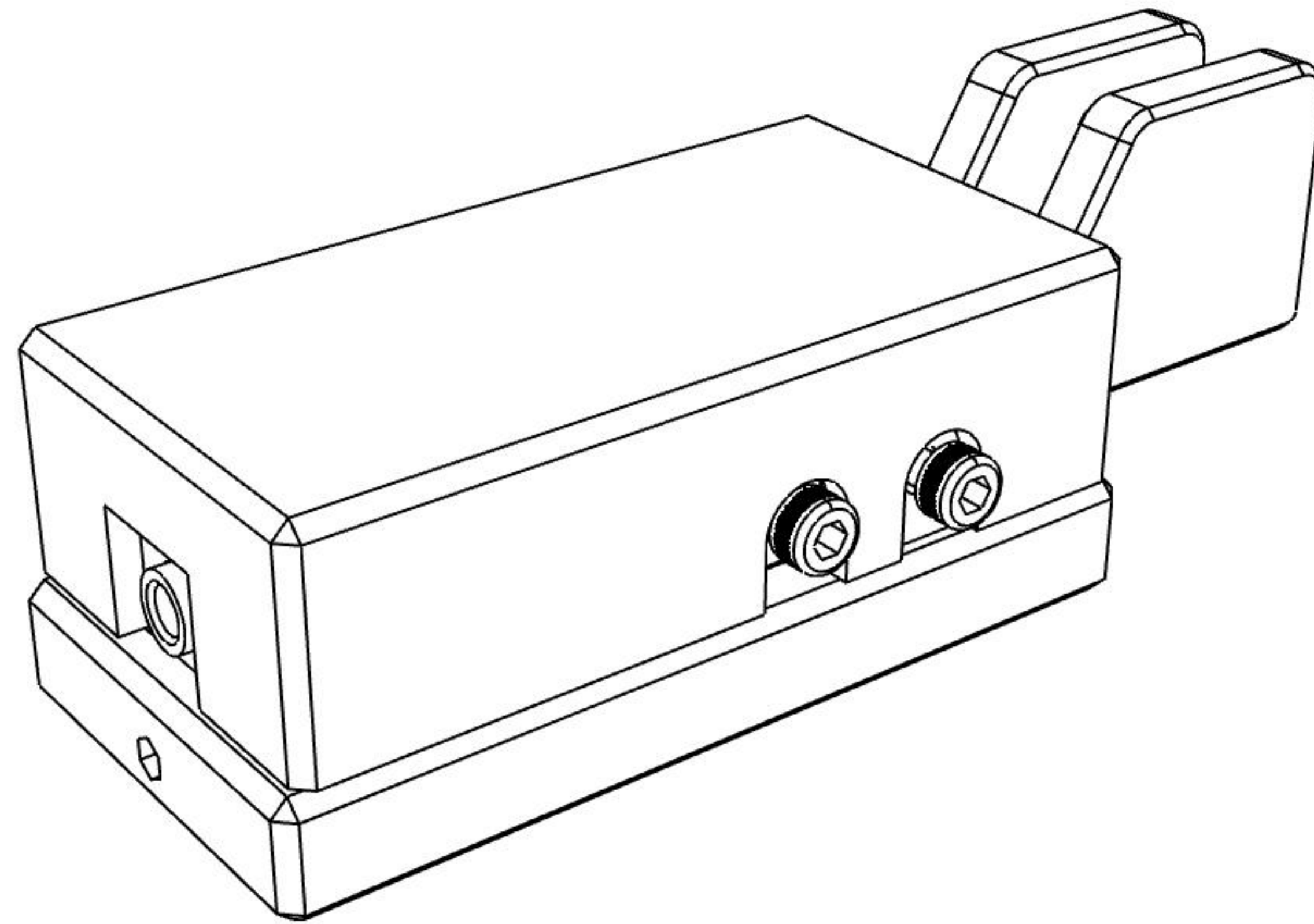


# CW Morse 40 Series

## *High Speed Double Paddle*

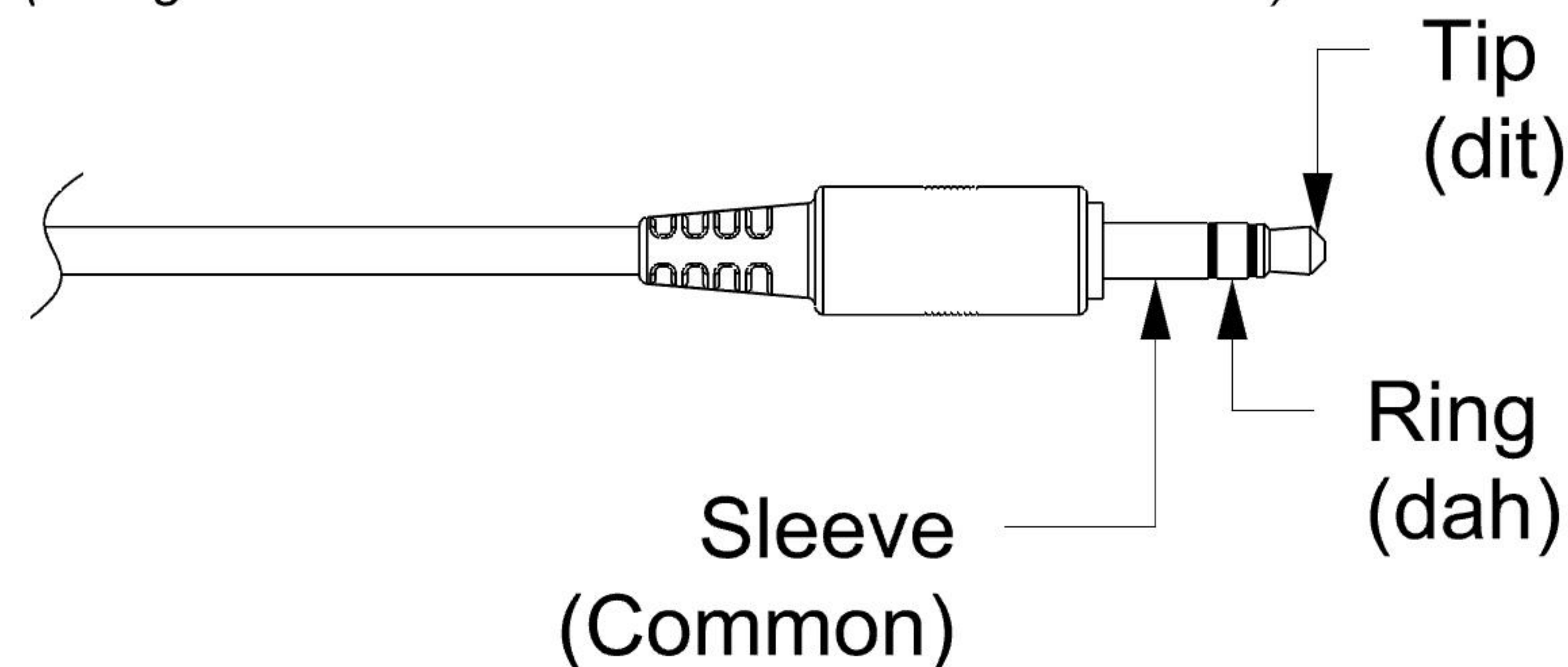
---



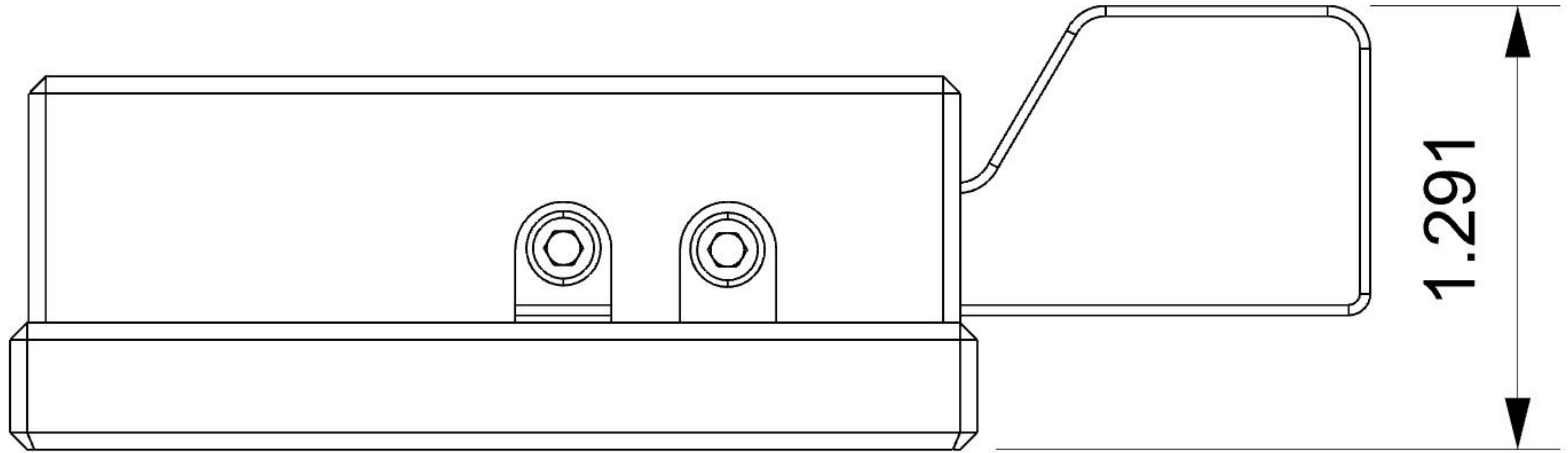
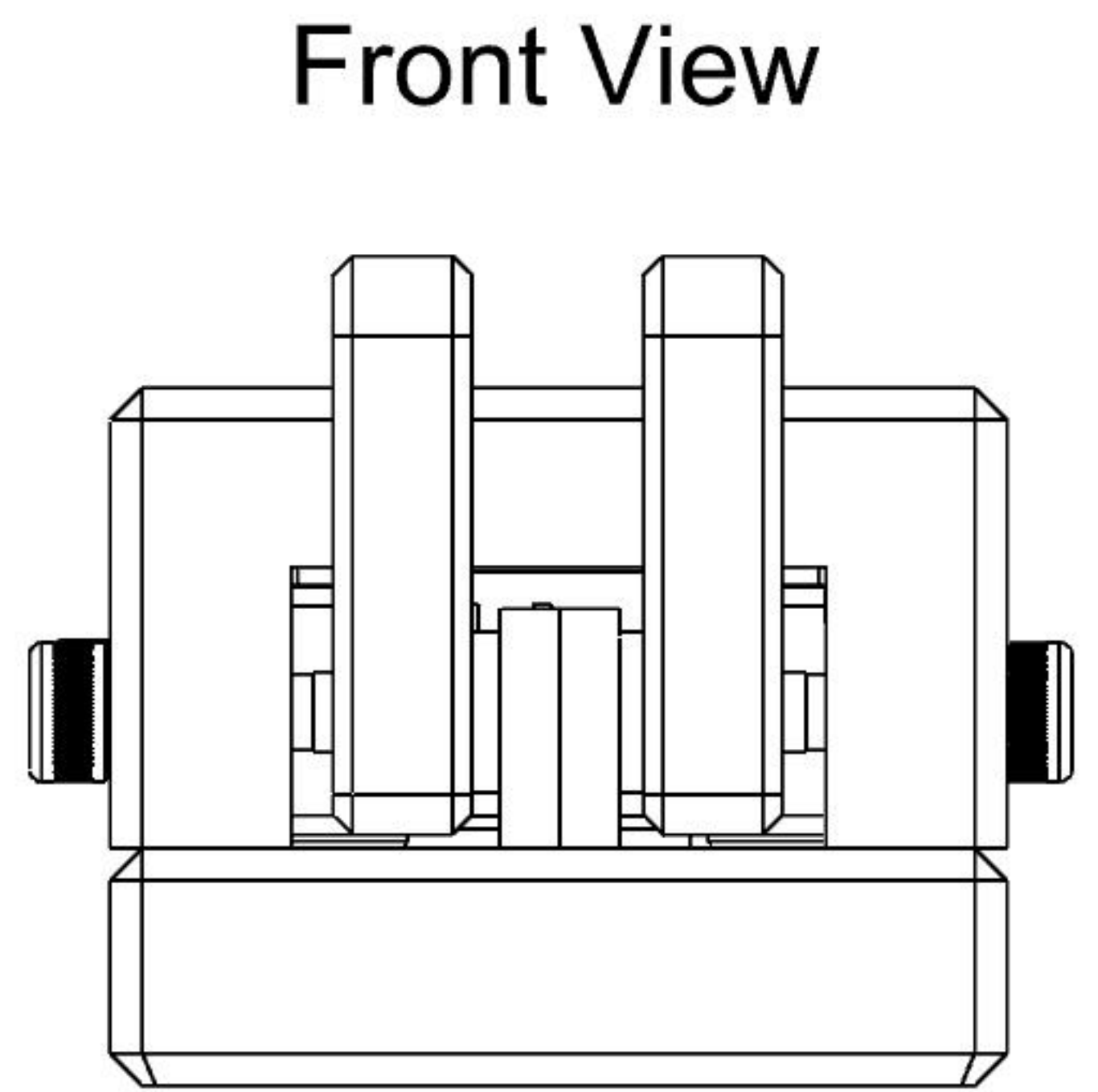
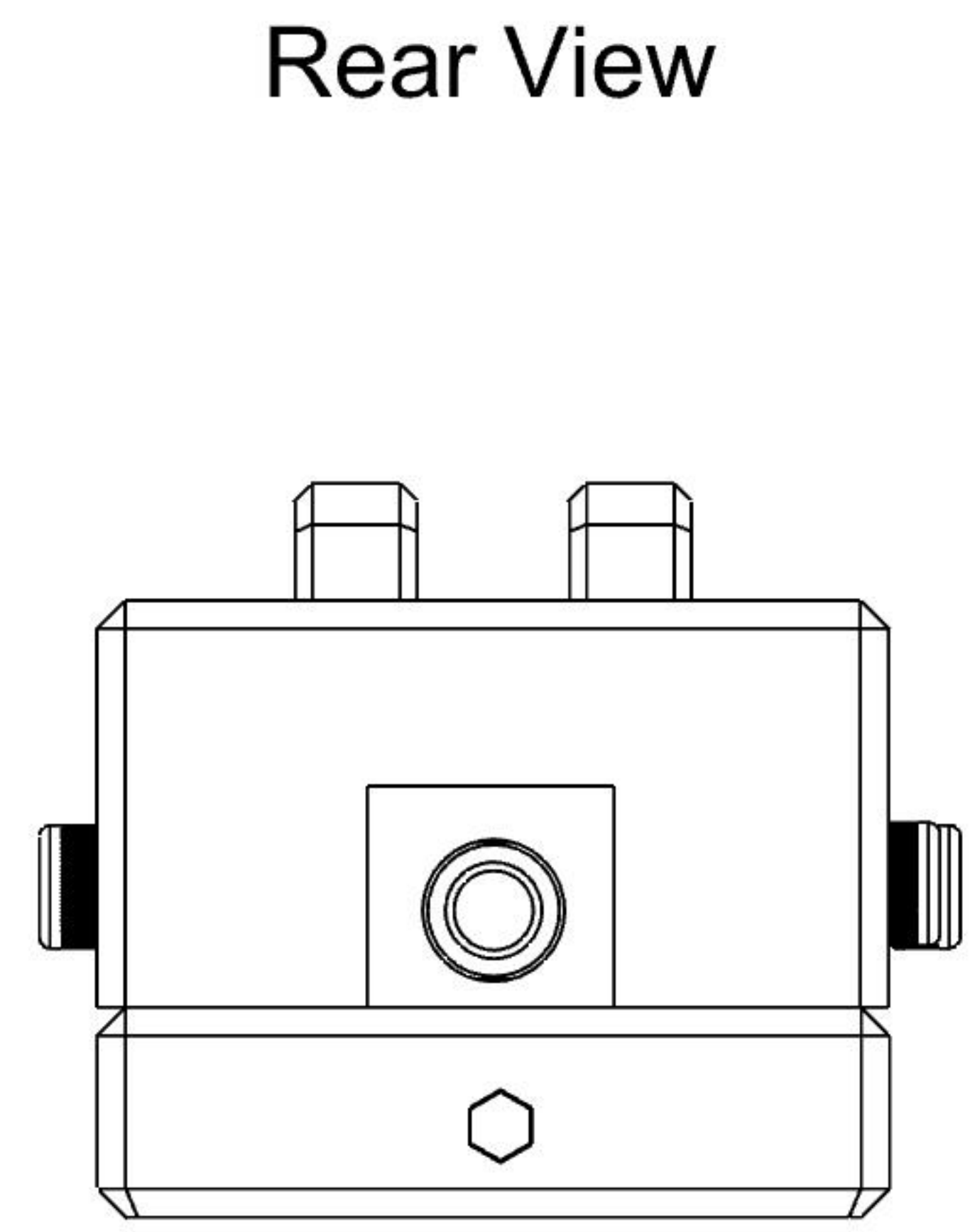
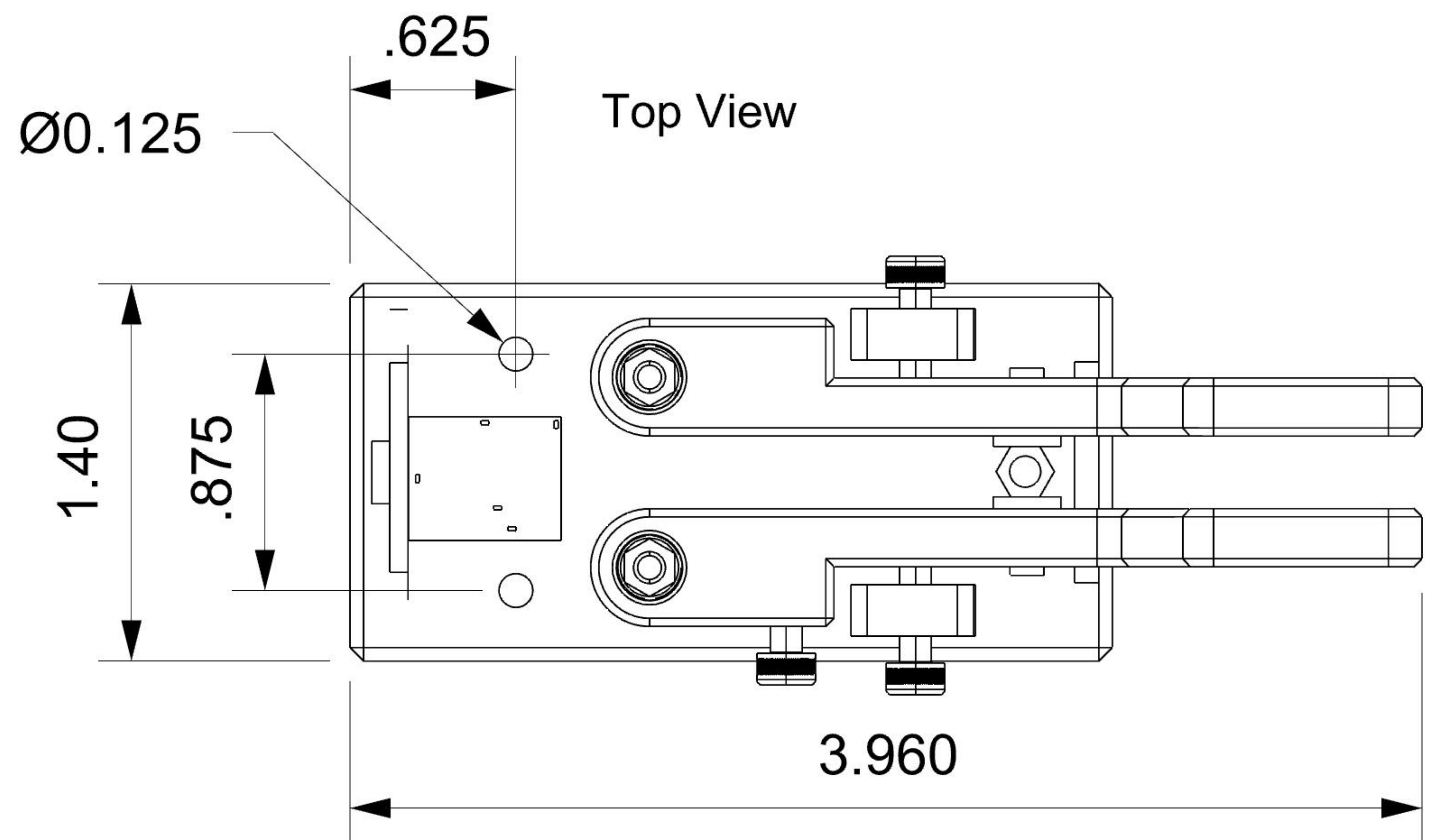
Iambic Morse Code Double Paddle  
4 Double Sealed Ball Bearings  
Stainless Steel Hardware  
Solid Brass Contacts  
Adjustable Gap & Tension  
Made In the USA

### DOUBLE PADDLE SIGNAL DIAGRAM

*(Using A Standard 3.5mm TRS Stereo AUX Cable)*



CW Morse 40 Series <i>High Speed Pocket Double Paddle</i>
Data Sheet
<b>All Rights Reserved</b> <b>2022 CW Morse LLC</b> <b>cwmorse.us</b>

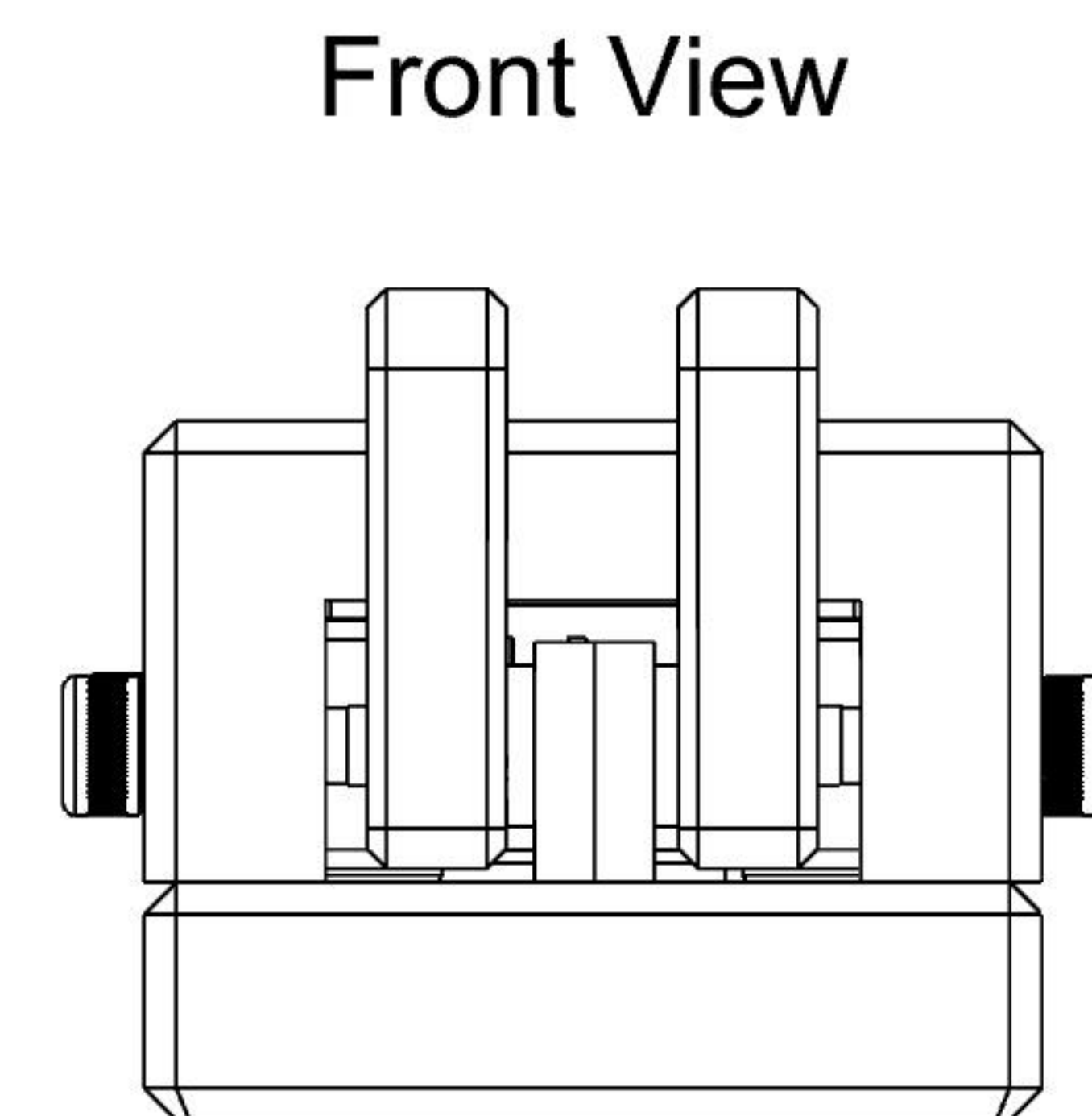
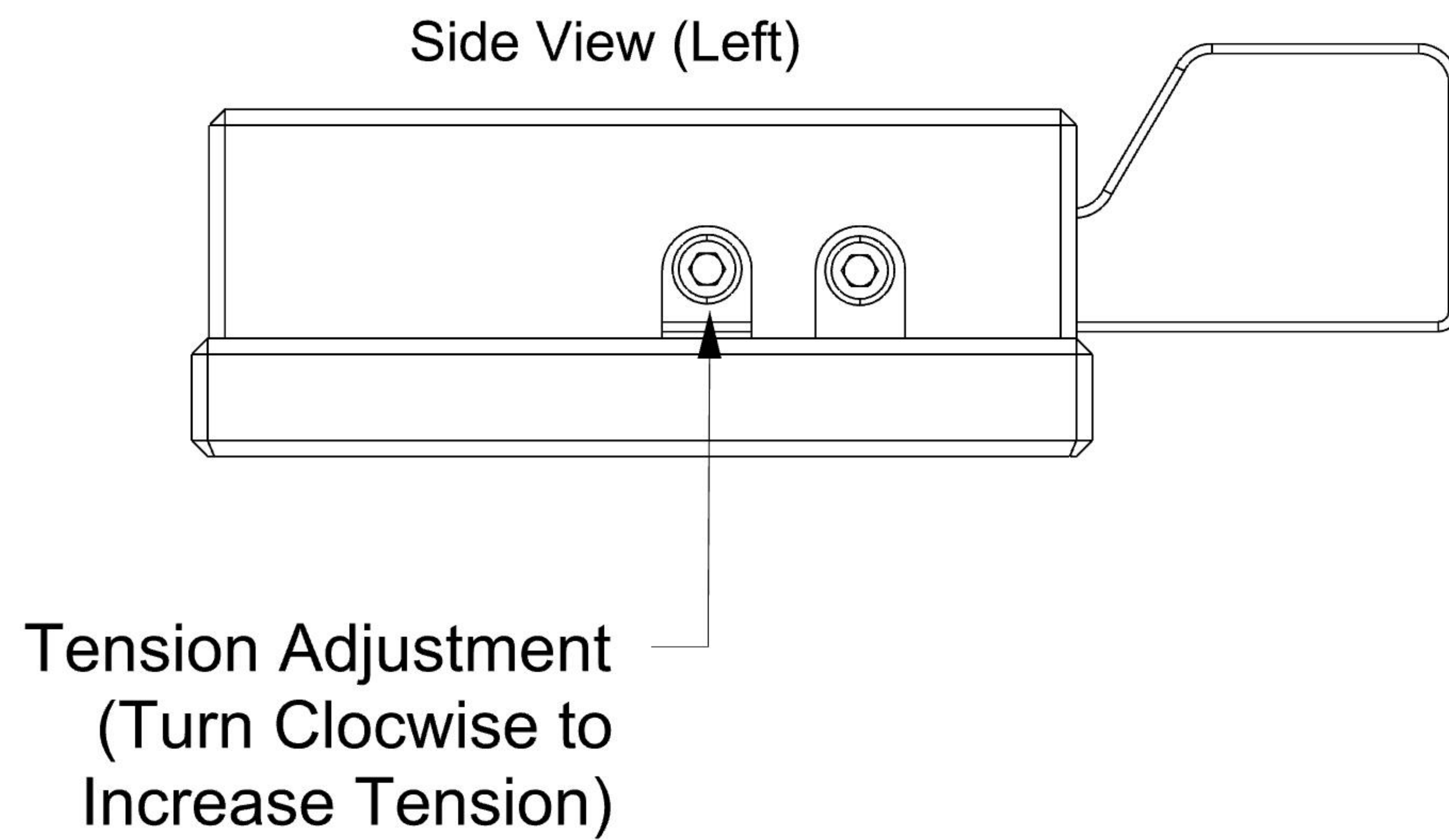
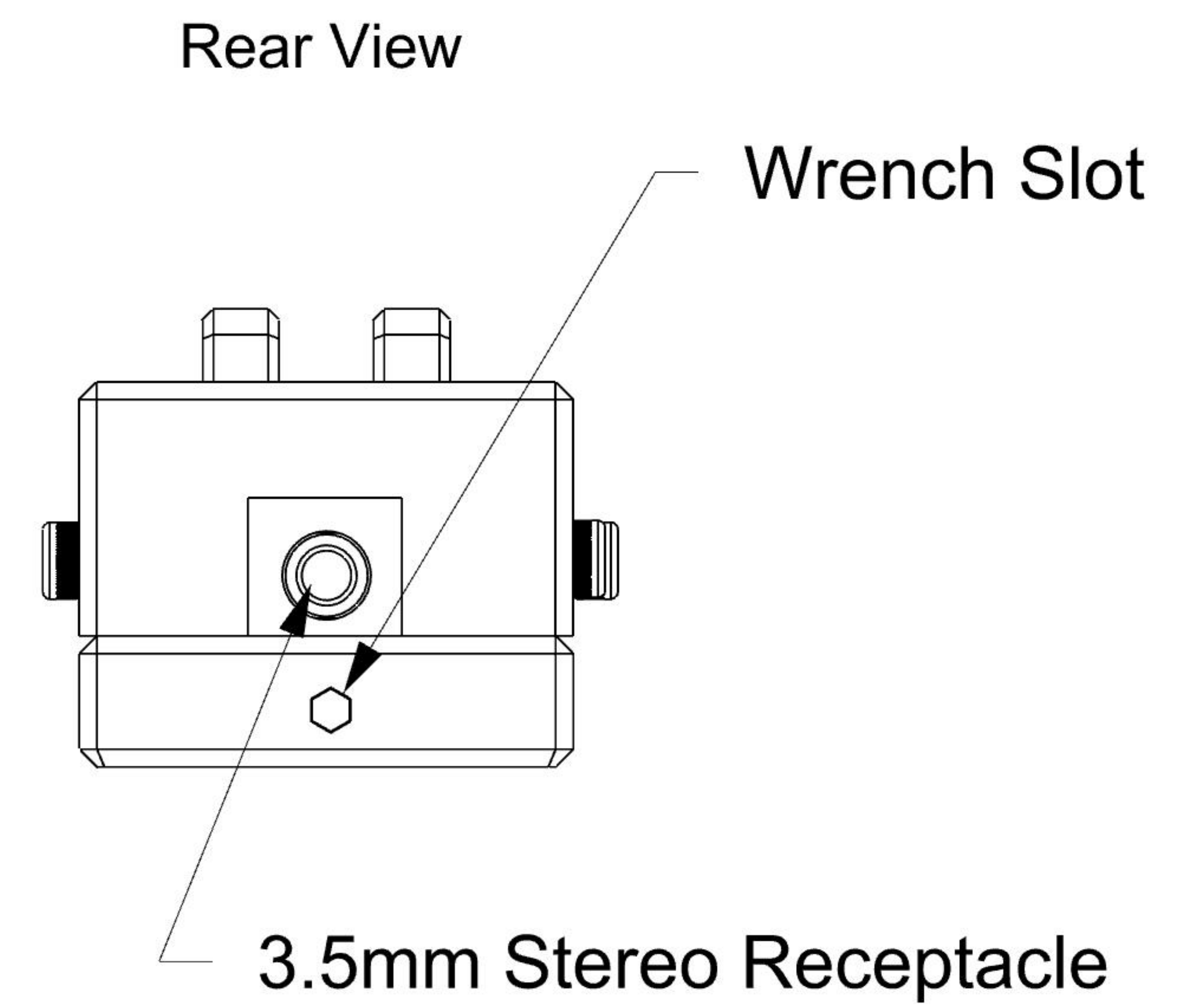
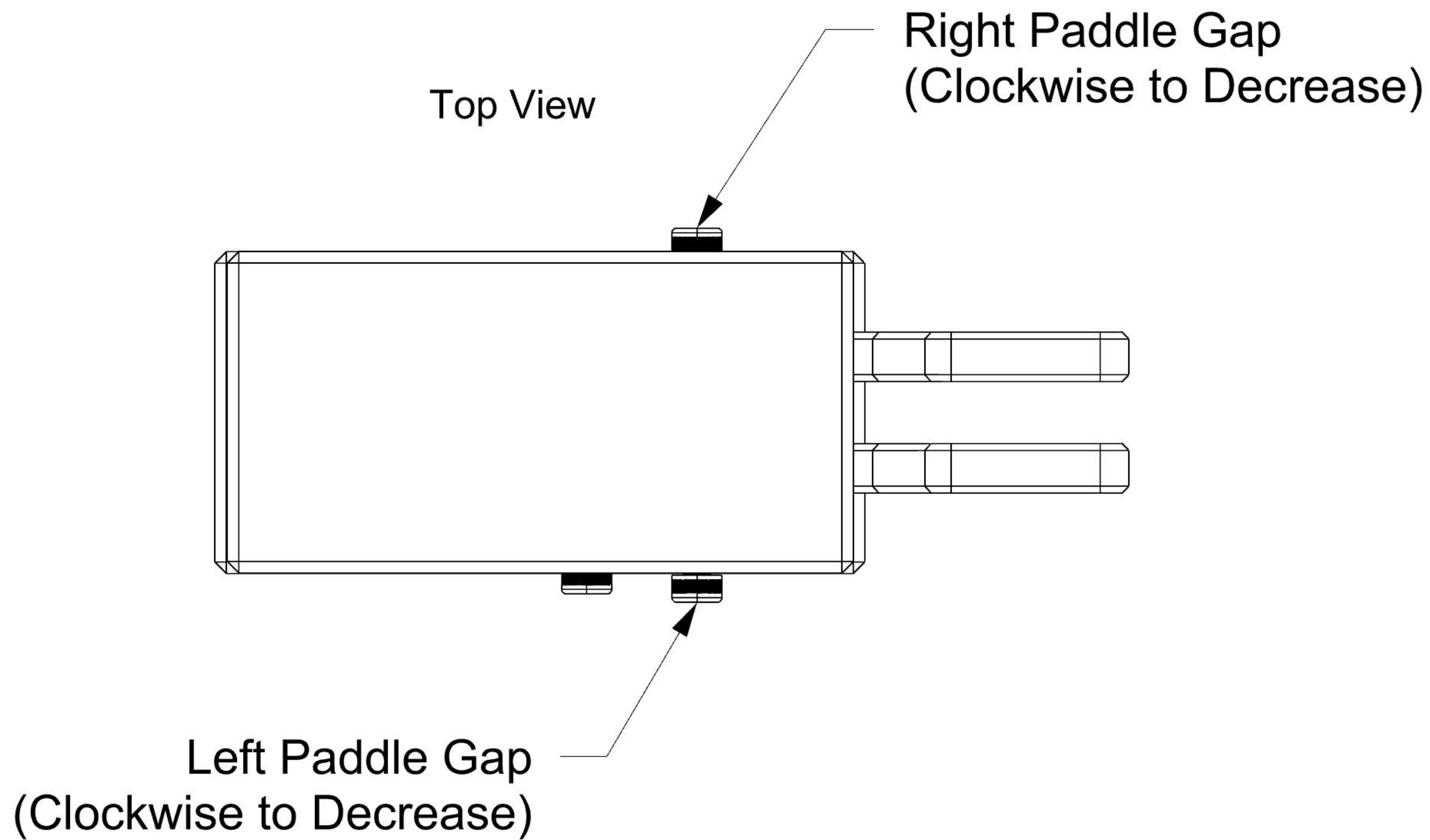


CW Morse 40 Series  
*High Speed Pocket Double Paddle*

All Dimensions in Inches

**All Rights Reserved**  
**2022 CW Morse LLC**  
**cwmorse.us**





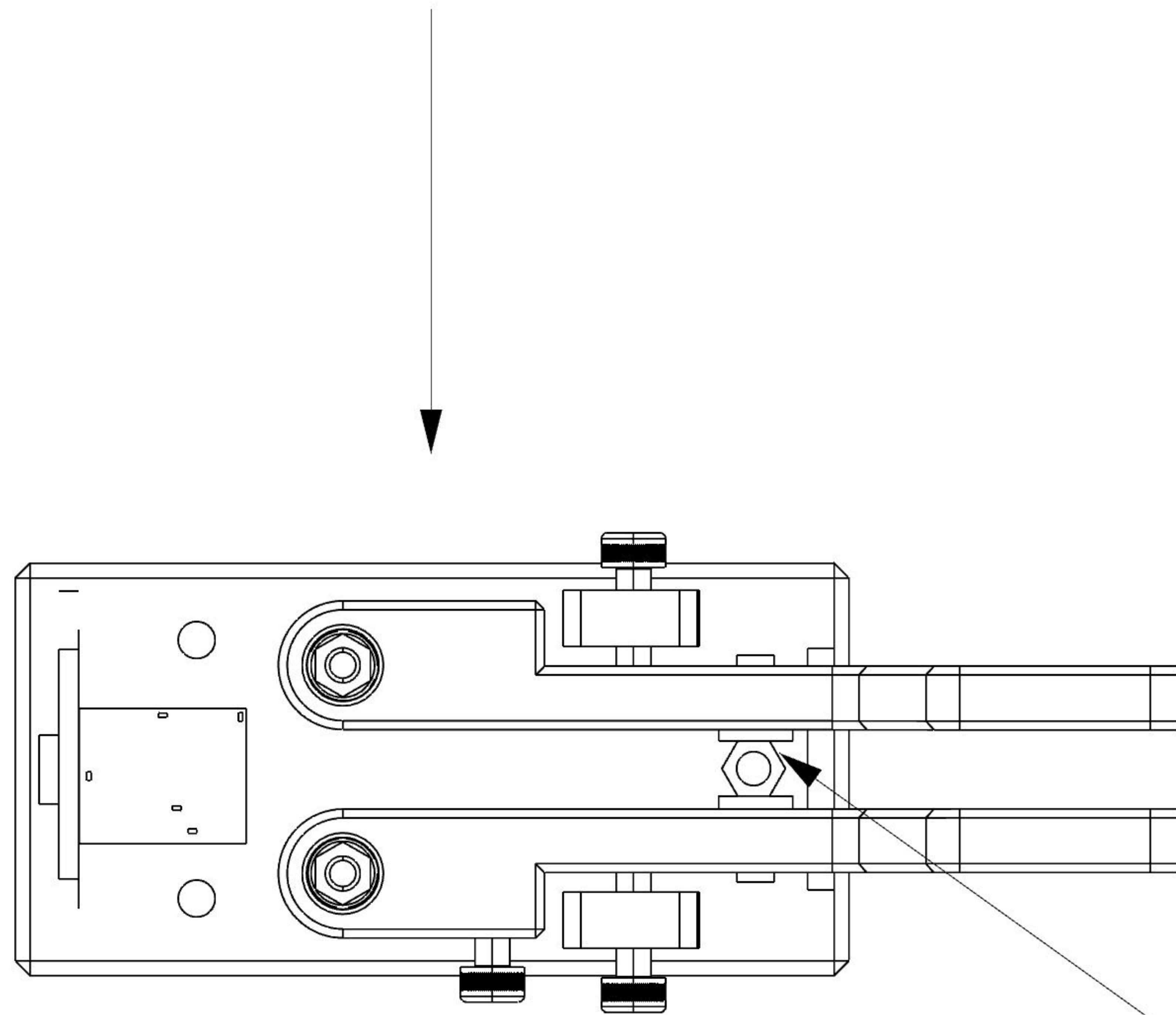
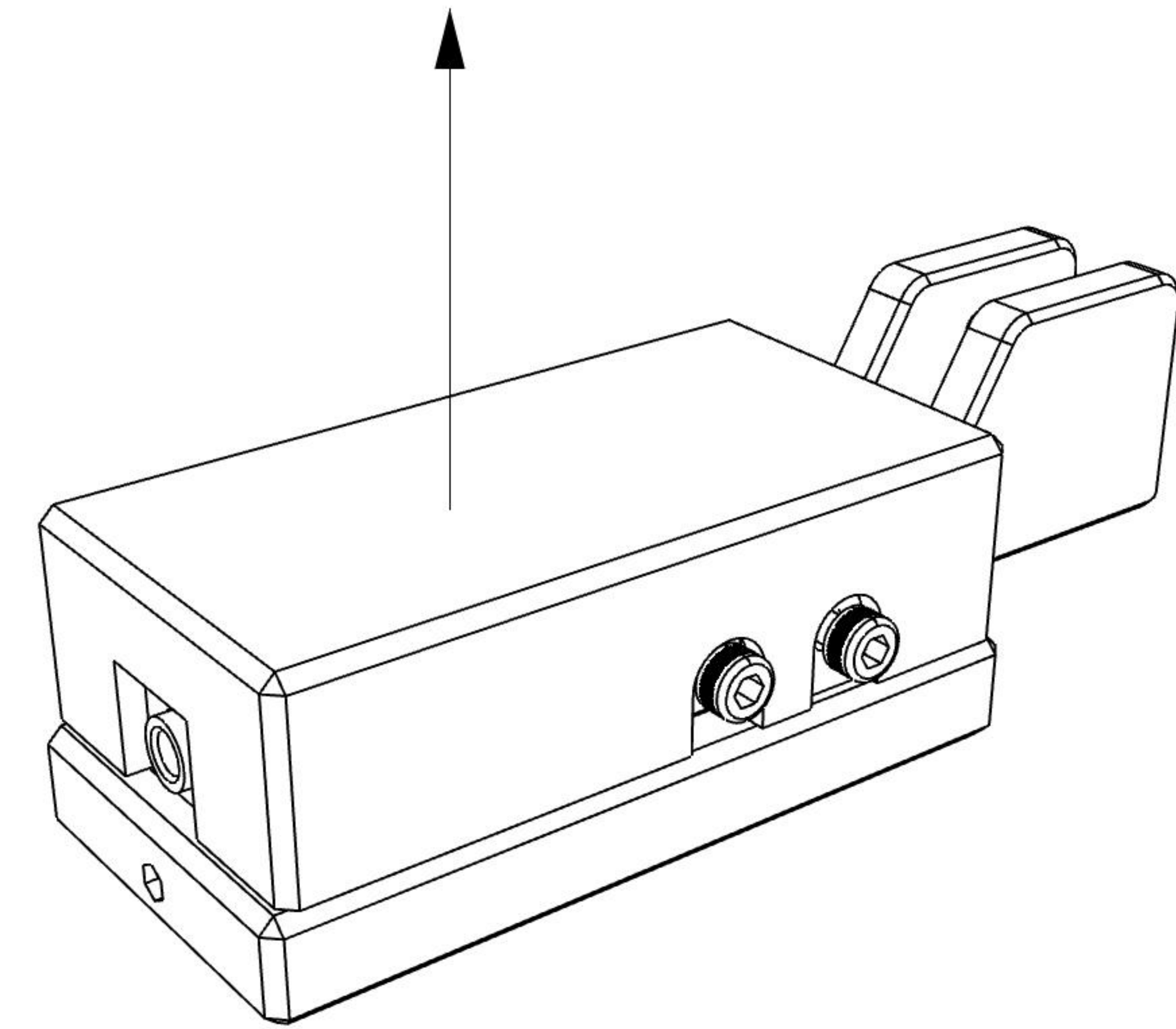
CW Morse 40 Series  
*High Speed Pocket Double Paddle*

Features

**All Rights Reserved**  
**2022 CW Morse LLC**  
**cwmorse.us**

# Cleaning and Maintenance

1. Remove Dust Cover By Pulling Straight Up
2. Clean with Compressed Air or Dry Paint Brush
3. Should Contacts Need Tarnish Removed



## How To Clean The Solid Brass Contacts:

Use a small 1/2" wide strip of 220 grit sandpaper or Paper Nail File.  
Close Contacts gently and Pull Sandpaper Through  
Flip Paper Over And Repeat

CW Morse 40 Series  
*High Speed Pocket Double Paddle*

Cleaning

**All Rights Reserved**  
**2022 CW Morse LLC**  
**cwmorse.us**