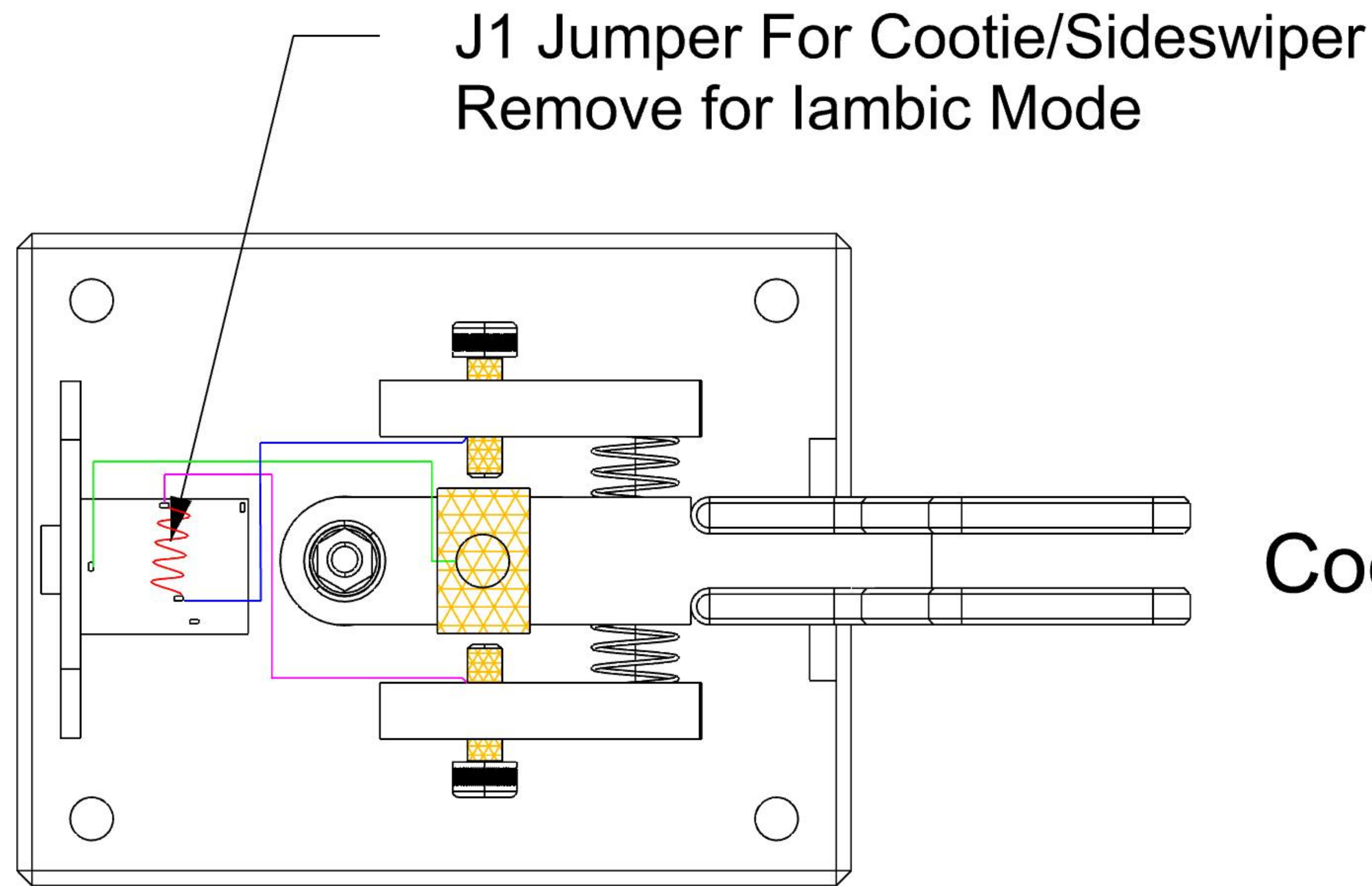


# CW Morse 38 Series

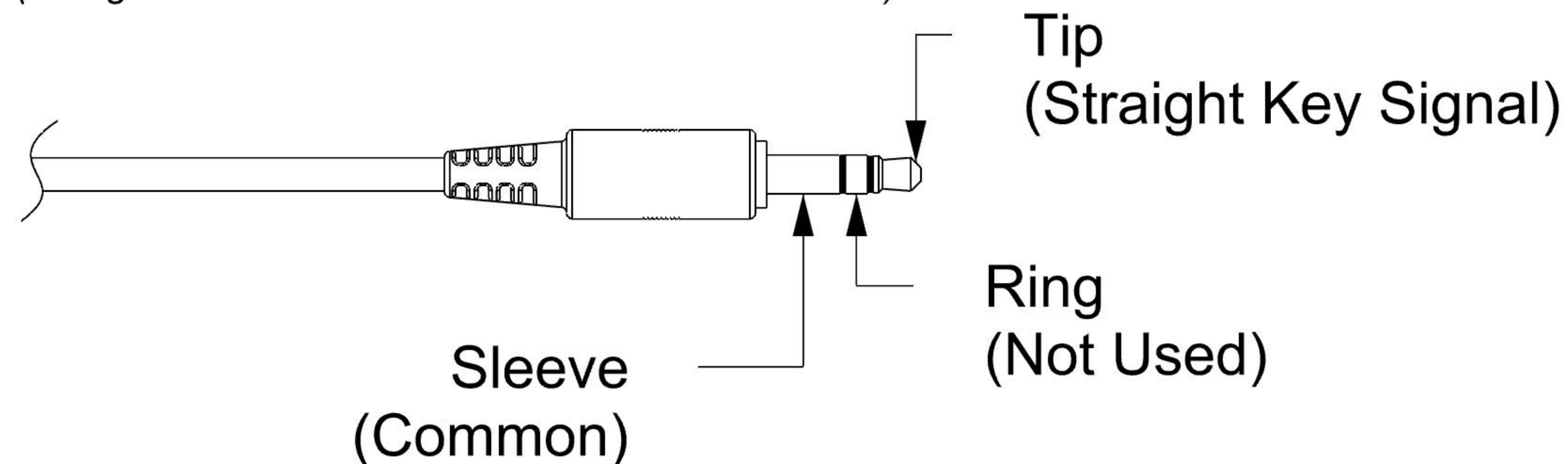
## *High Speed Single Paddle*



Cootie Style Single Arm Paddle  
2 Double Sealed Ball Bearings  
Stainless Steel Hardware  
Solid Brass Contacts  
Adjustable Gap Sets  
Made In the USA

### COOTIE SINGLE PADDLE SIGNAL DIAGRAM

*(Using A Standard 3.5mm TRS Stereo AUX Cable)*

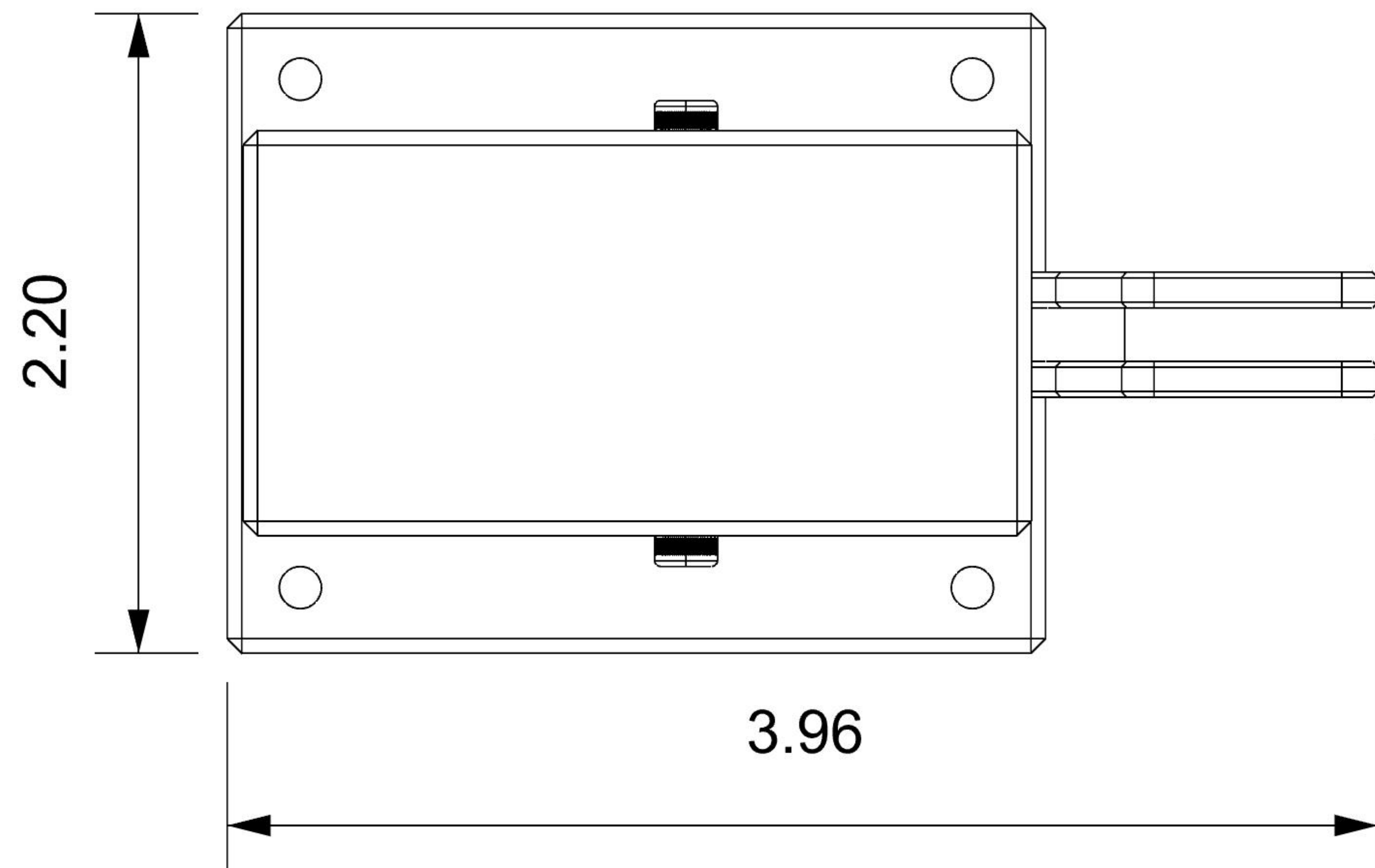


CW Morse 38 Series  
*High Speed Single Paddle*

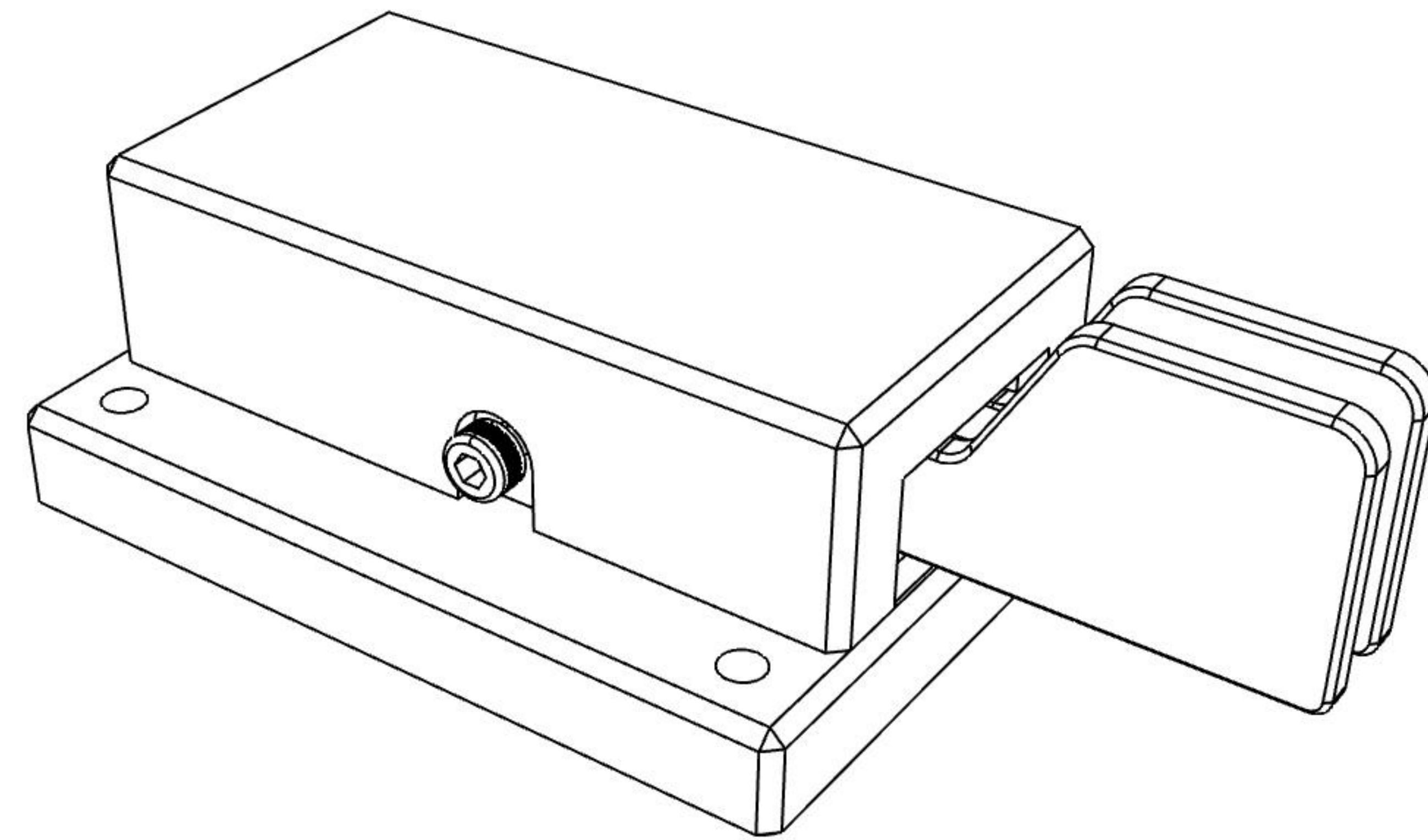
Data Sheet

**All Rights Reserved**  
**2022 CW Morse LLC**  
**cwmorse.us**

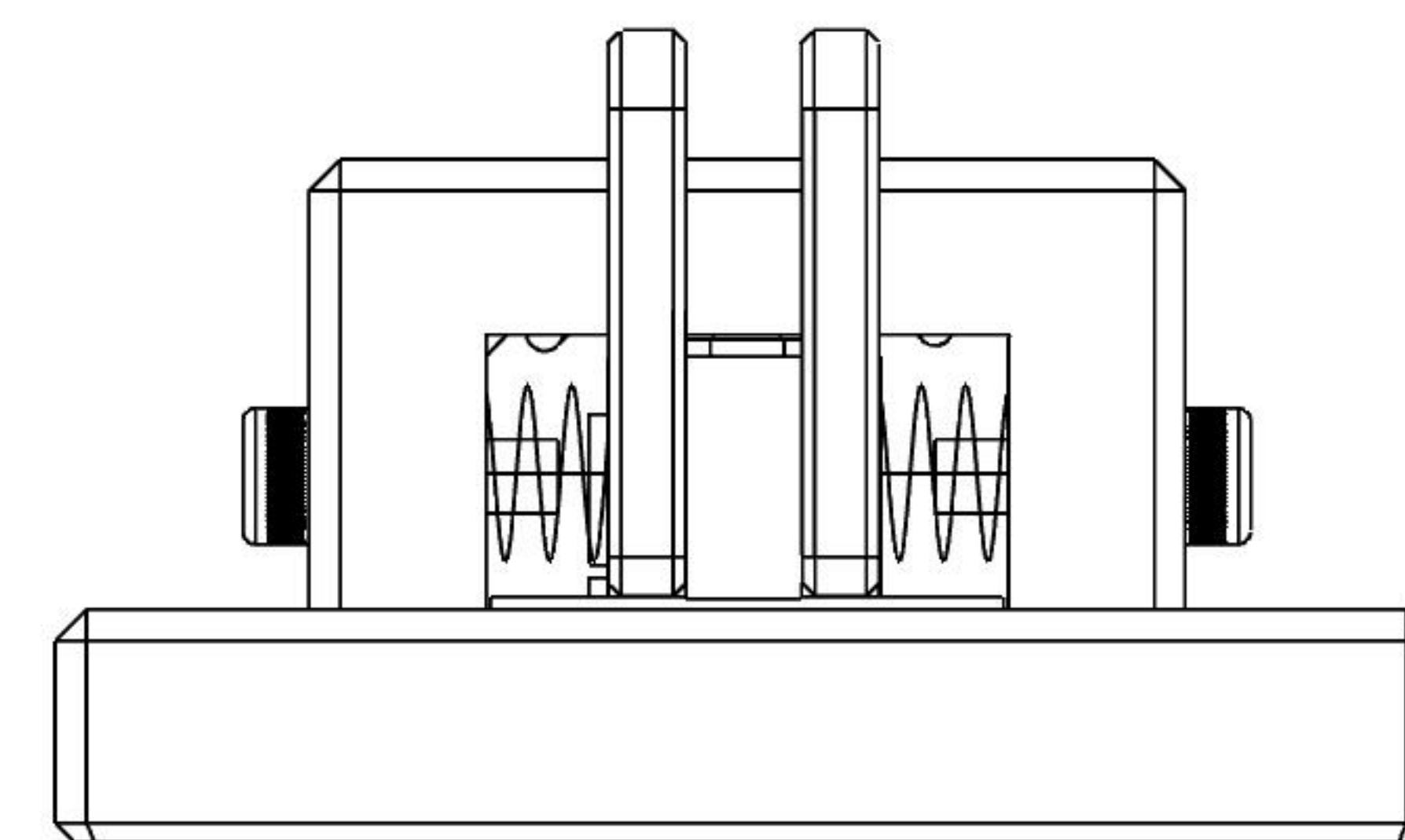
Top View



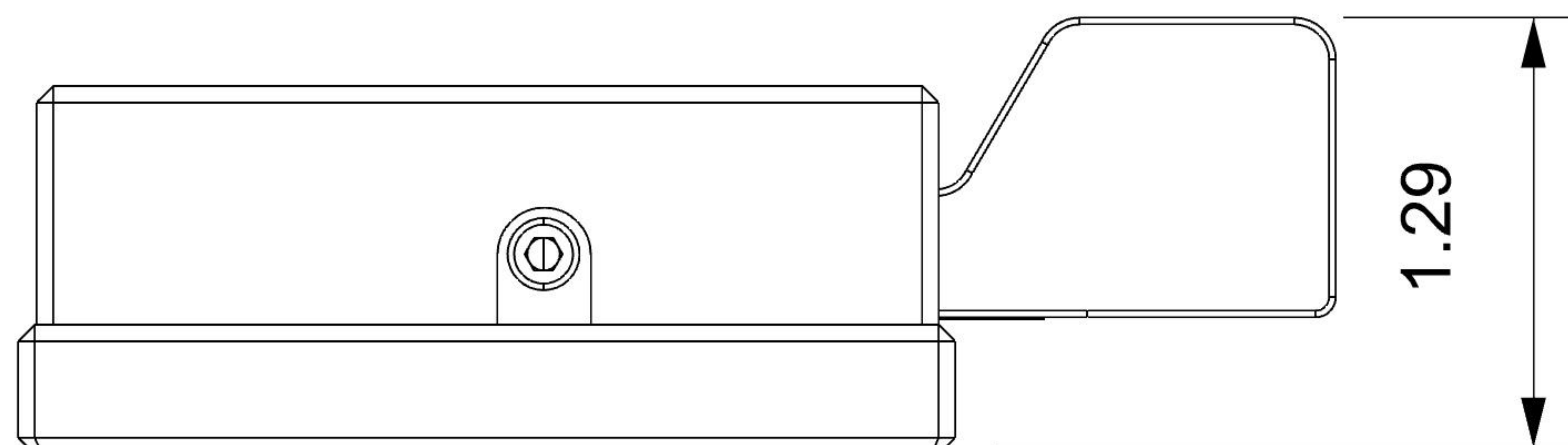
Iso View



Front View



SideView

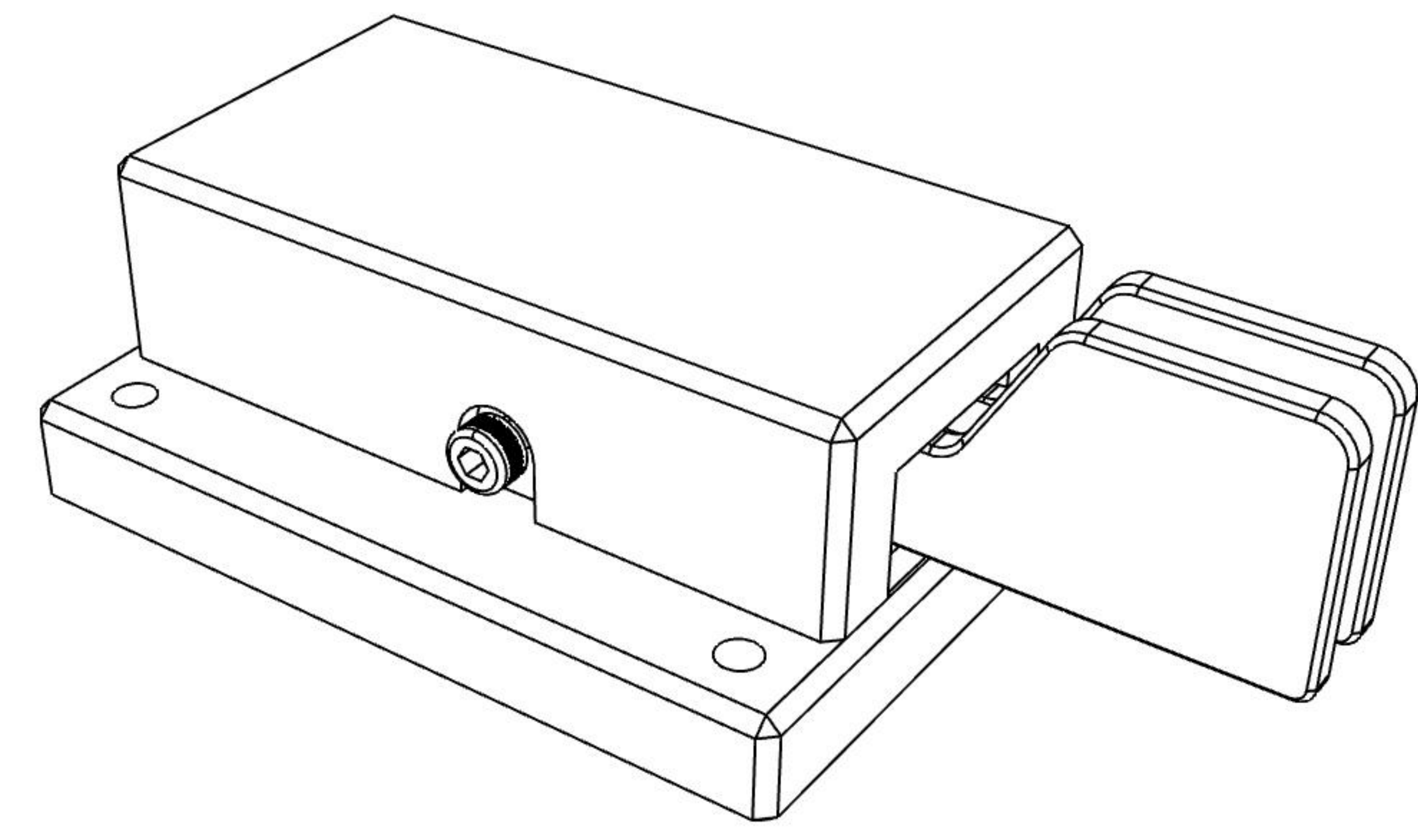
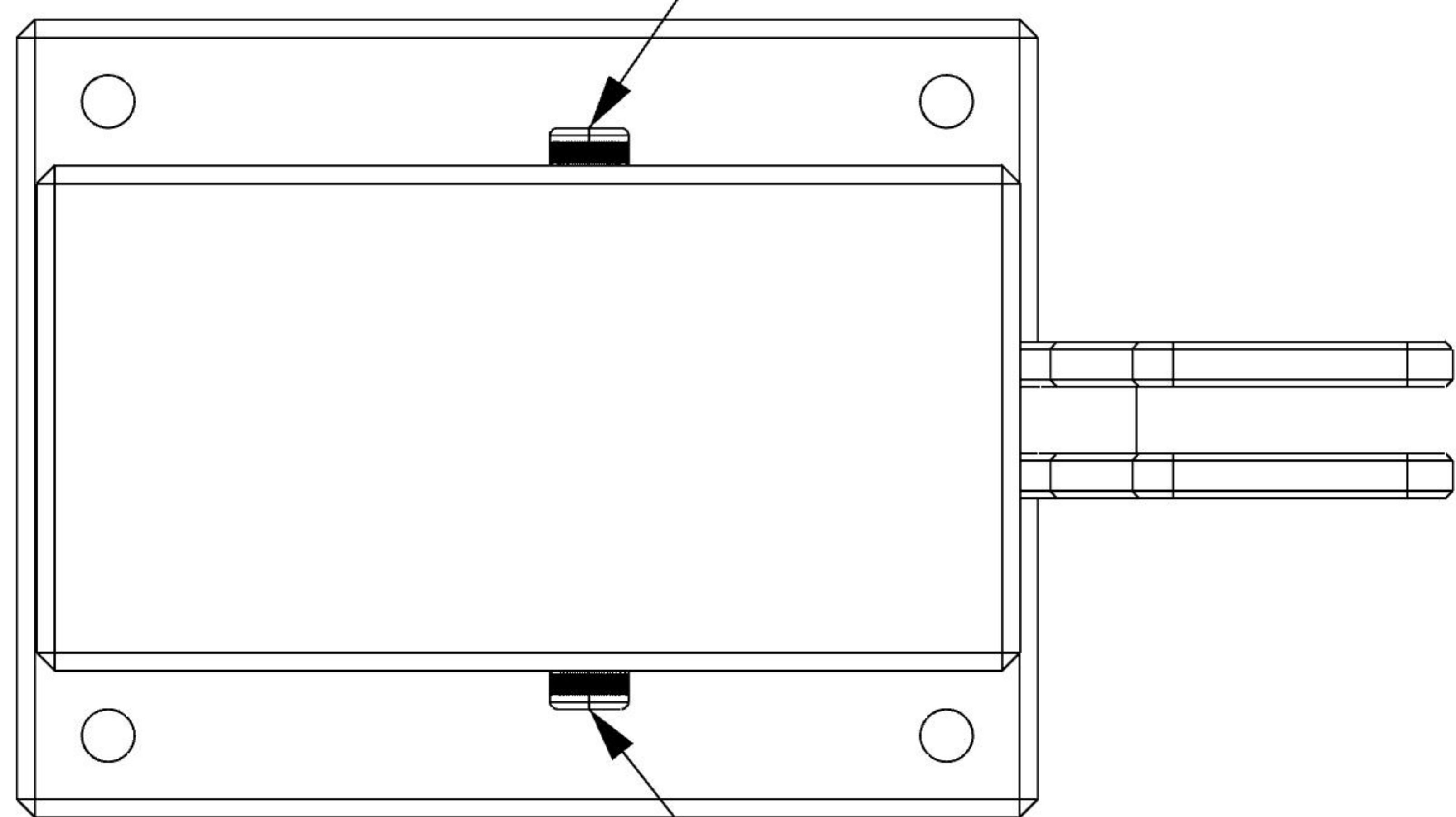


CW Morse 38 Series  
*High Speed Single Paddle*

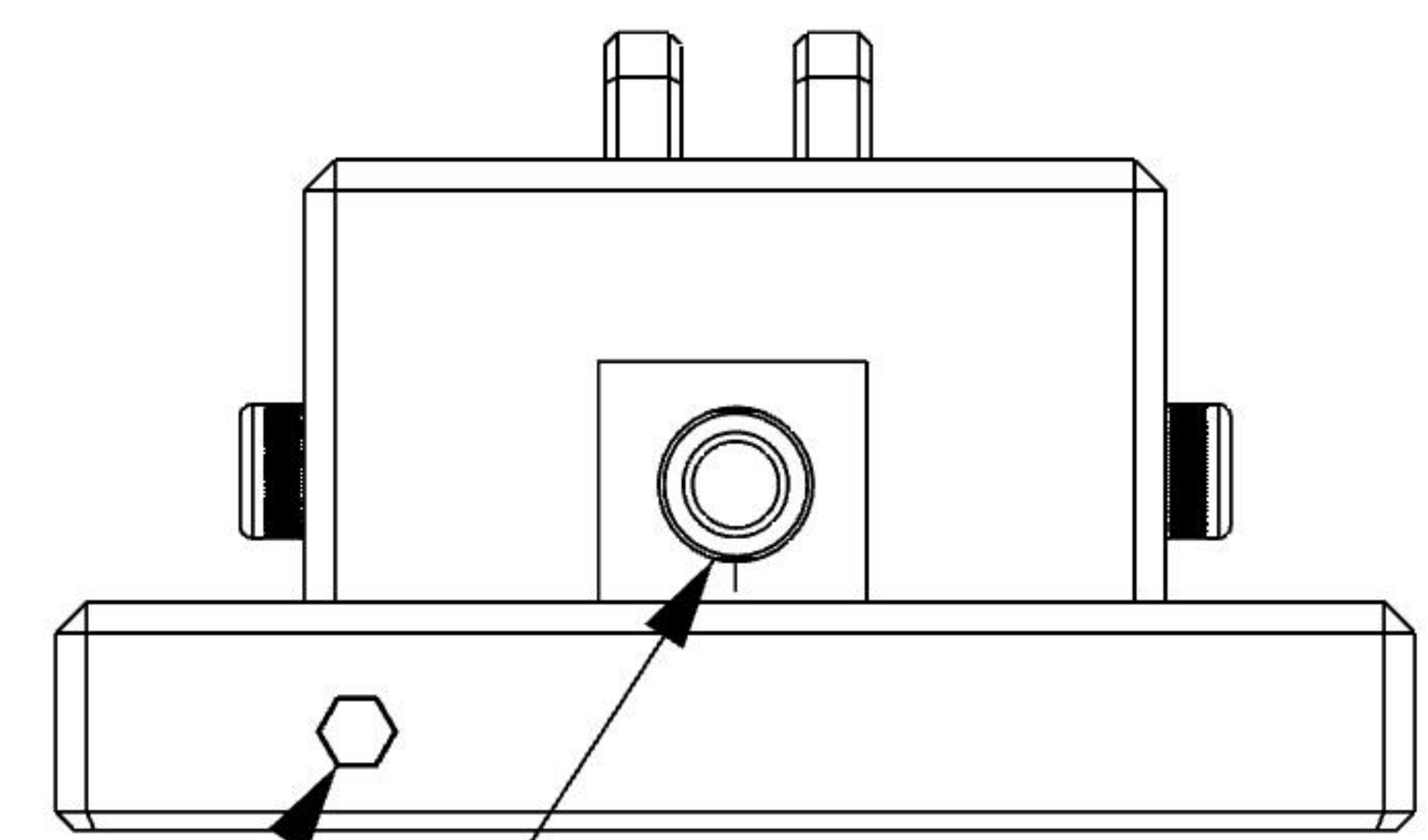
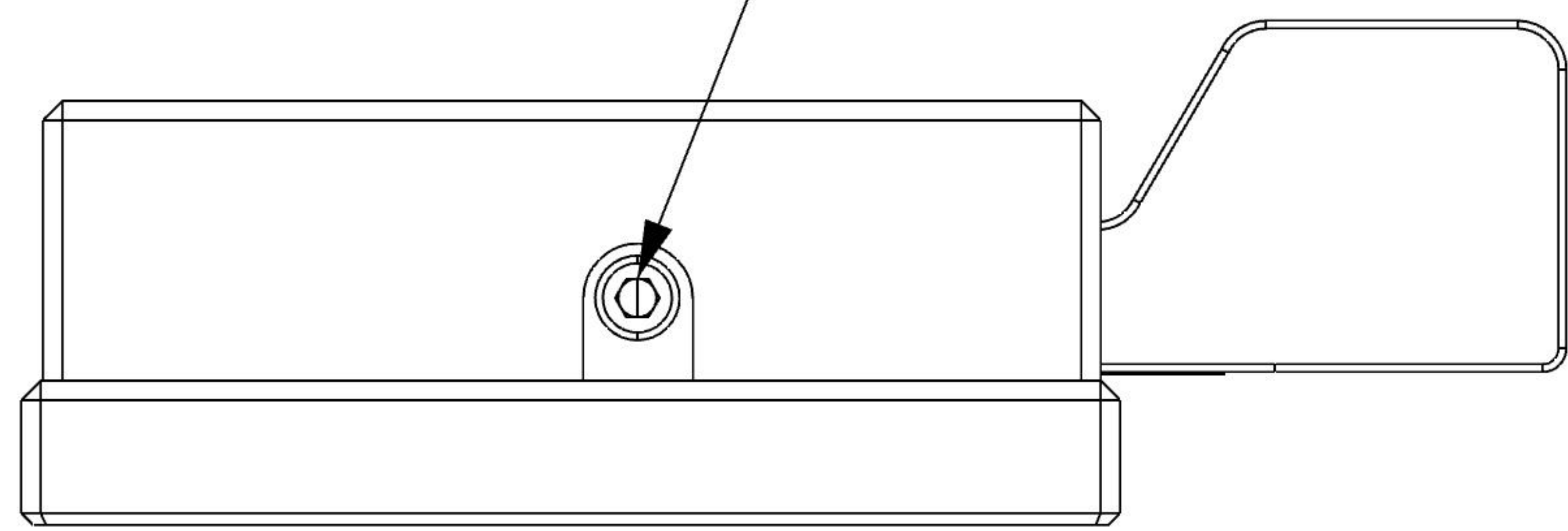
All Dimensions in Inches

**All Rights Reserved**  
**2022 CW Morse LLC**  
**cwmorse.us**

Right Side Gap  
(Turn Clockwise to Reduce Gap)



Left Side Gap  
(Turn Clockwise to Reduce Gap)



Wrench Slot

3.5mm Aux Stereo Receptacle

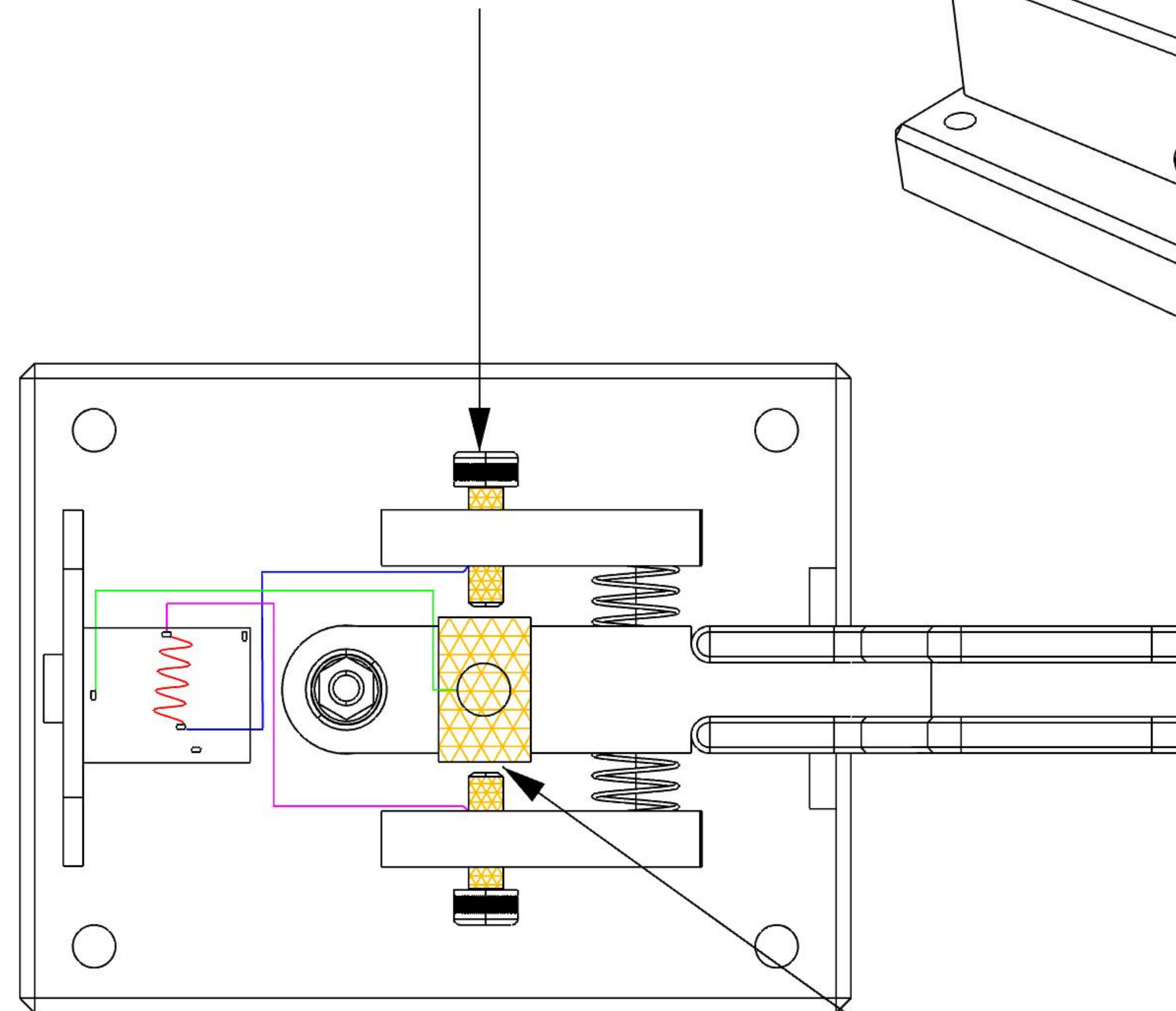
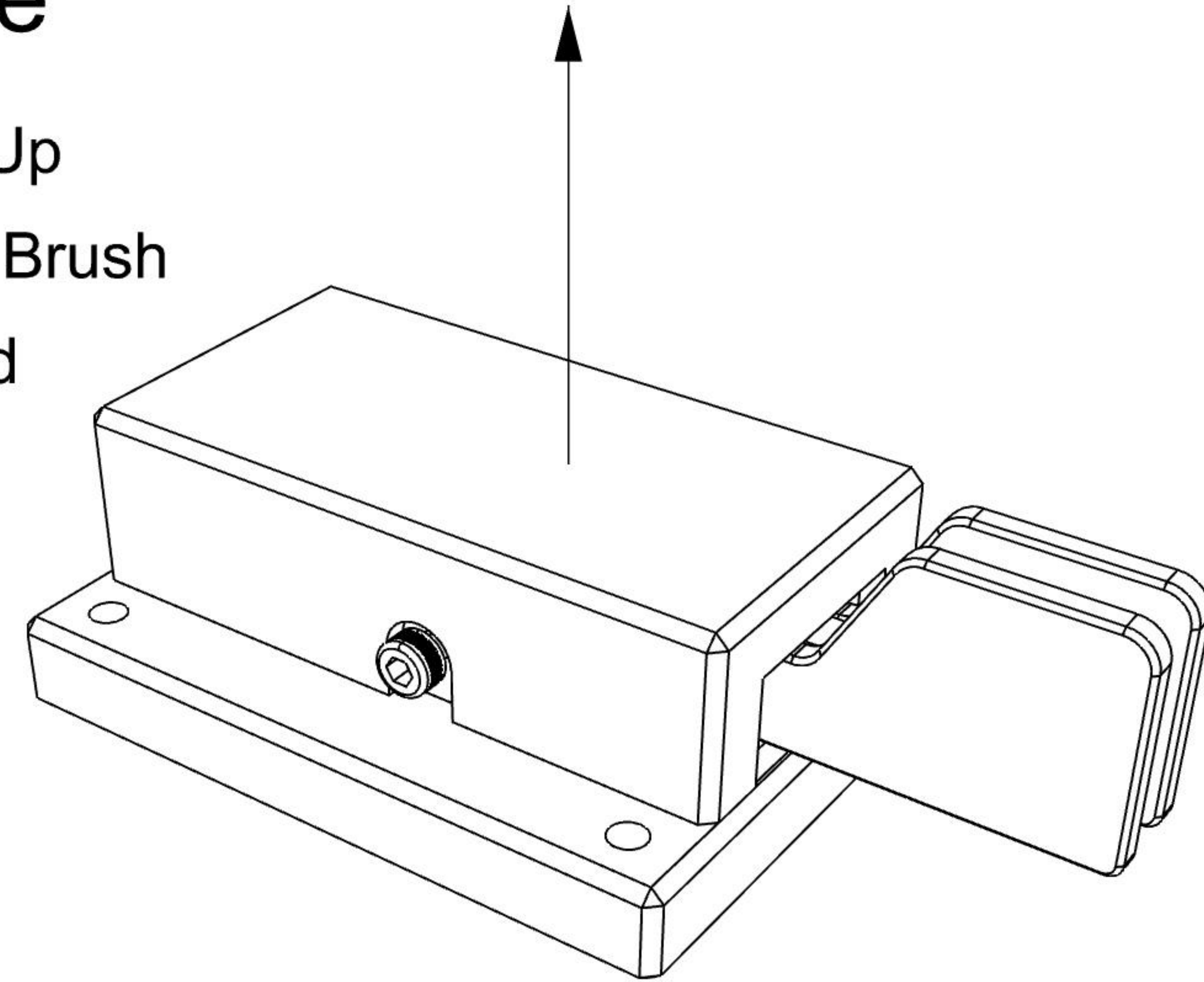
CW Morse 38 Series  
*High Speed Single Paddle*

Features

**All Rights Reserved**  
**2022 CW Morse LLC**  
**cwmorse.us**

# Cleaning and Maintenance

1. Remove Dust Cover By Pulling Straight Up
2. Clean with Compressed Air or Dry Paint Brush
3. Should Contacts Need Tarnish Removed



## How To Clean The Solid Brass Contacts:

Use a small strip of 220 grit sandpaper or Paper Nail File.  
Close Contacts gently and Pull Sandpaper Through  
Flip Paper Over And Repeat

CW Morse 38 Series  
*High Speed Single Paddle*

Cleaning

**All Rights Reserved**  
**2022 CW Morse LLC**  
**cwmorse.us**