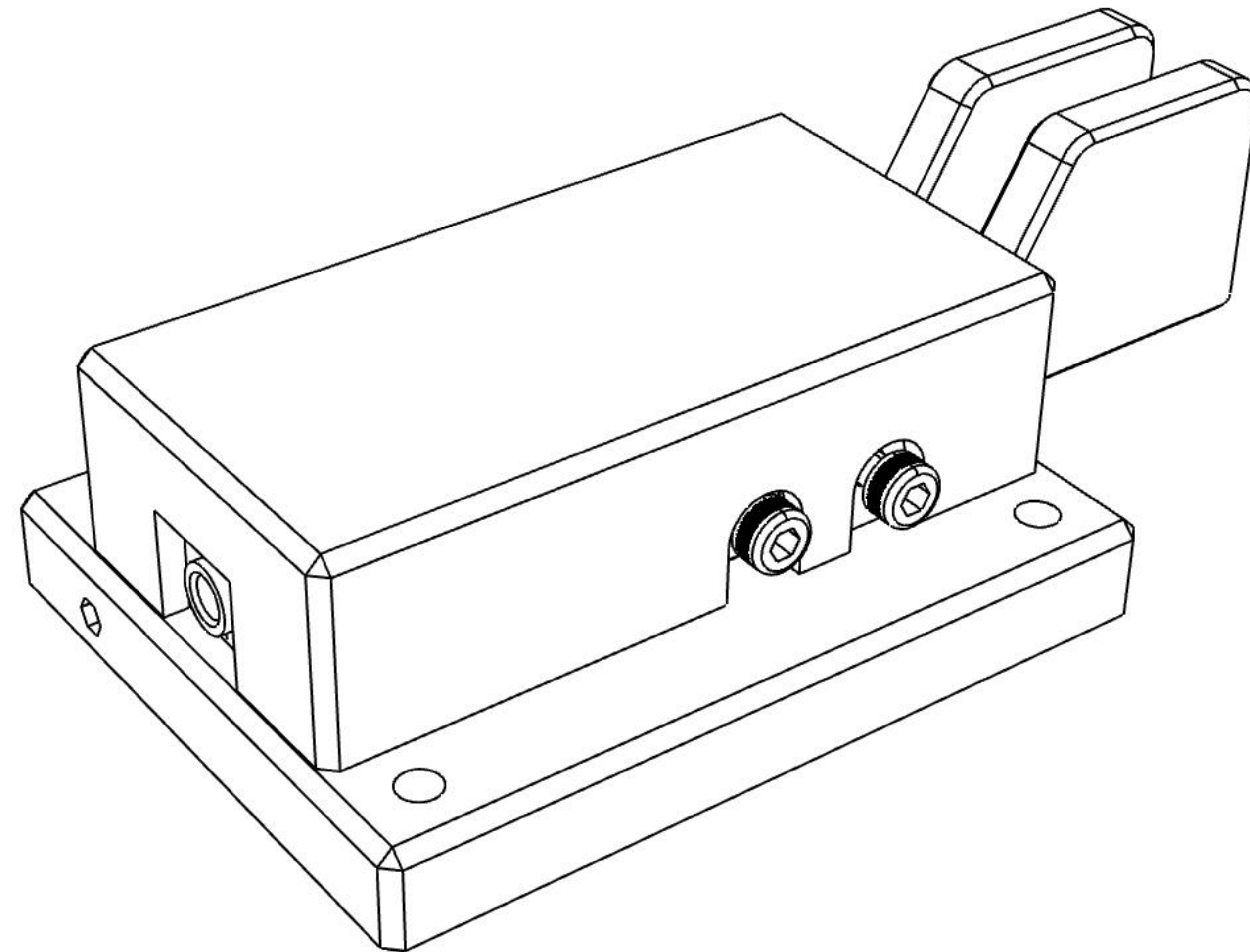


CW Morse 37 Series

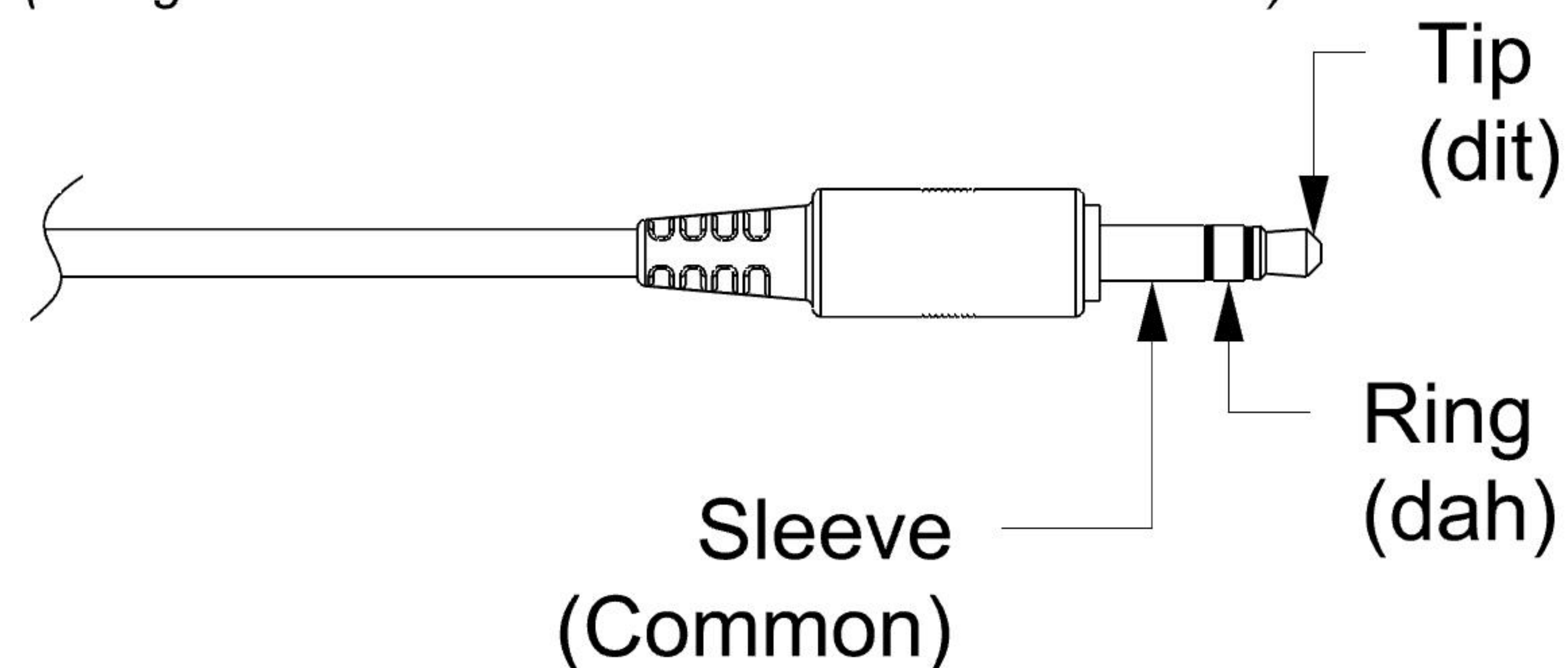
High Speed Double Paddle



Iambic Morse Code Double Paddle
4 Double Sealed Ball Bearings
Stainless Steel Hardware
Solid Brass Contacts
Adjustable Gap & Tension
Made In the USA

DOUBLE PADDLE SIGNAL DIAGRAM

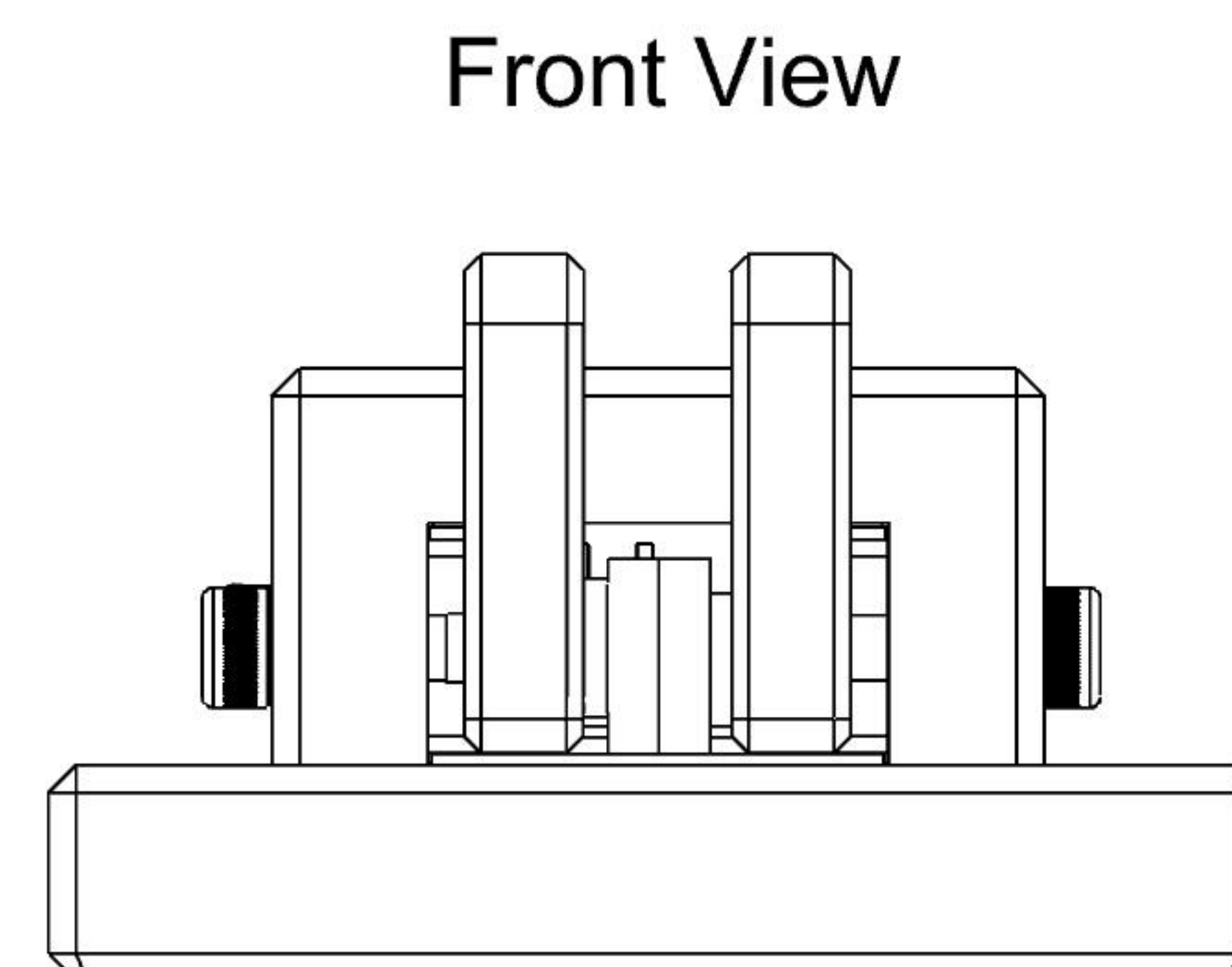
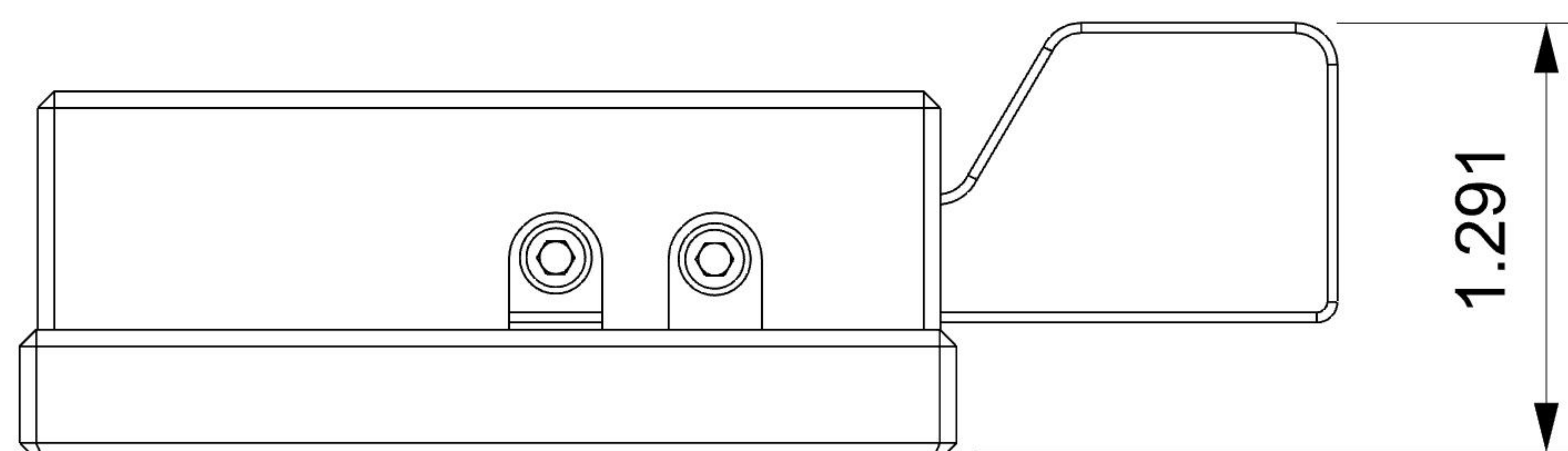
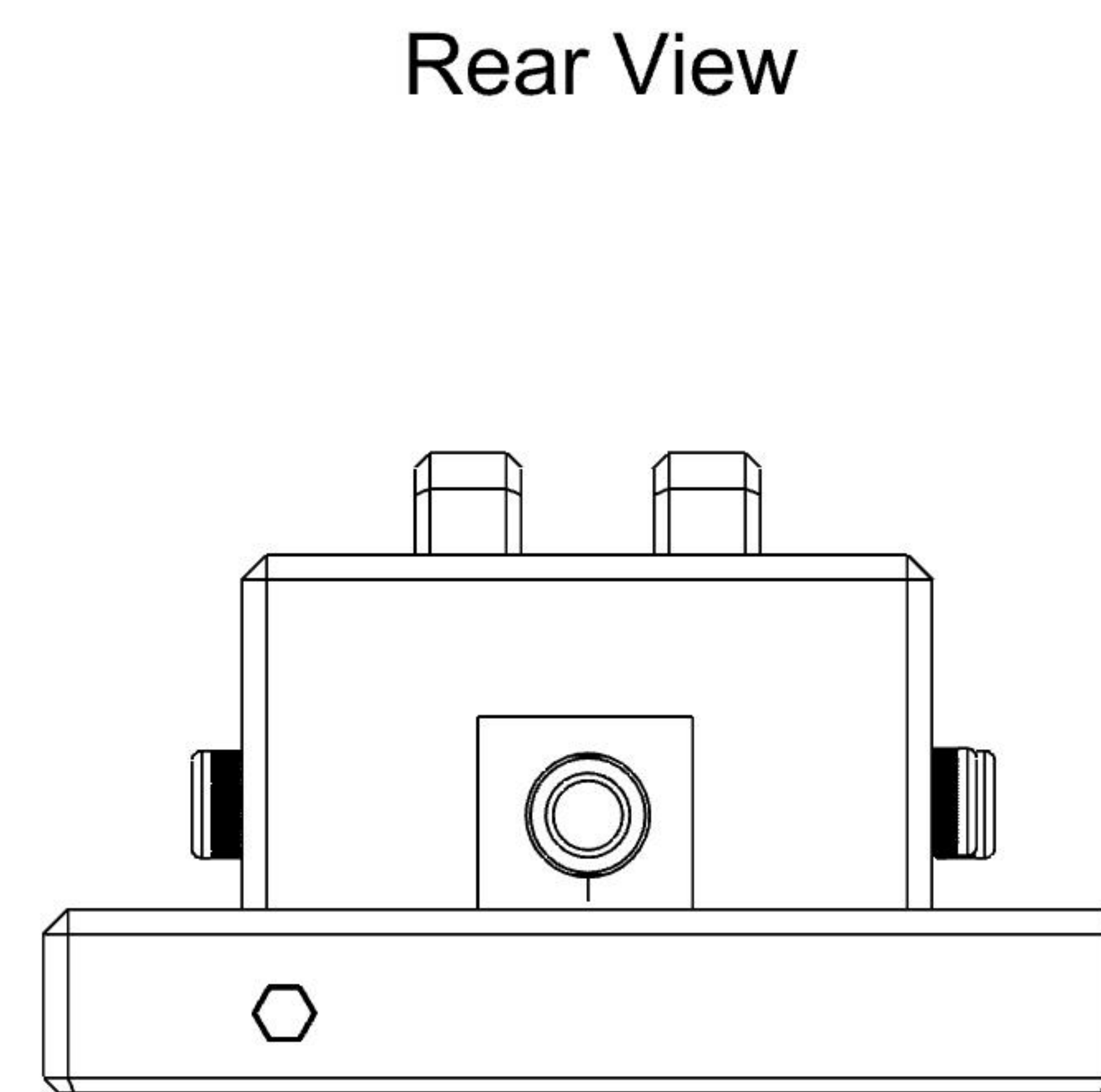
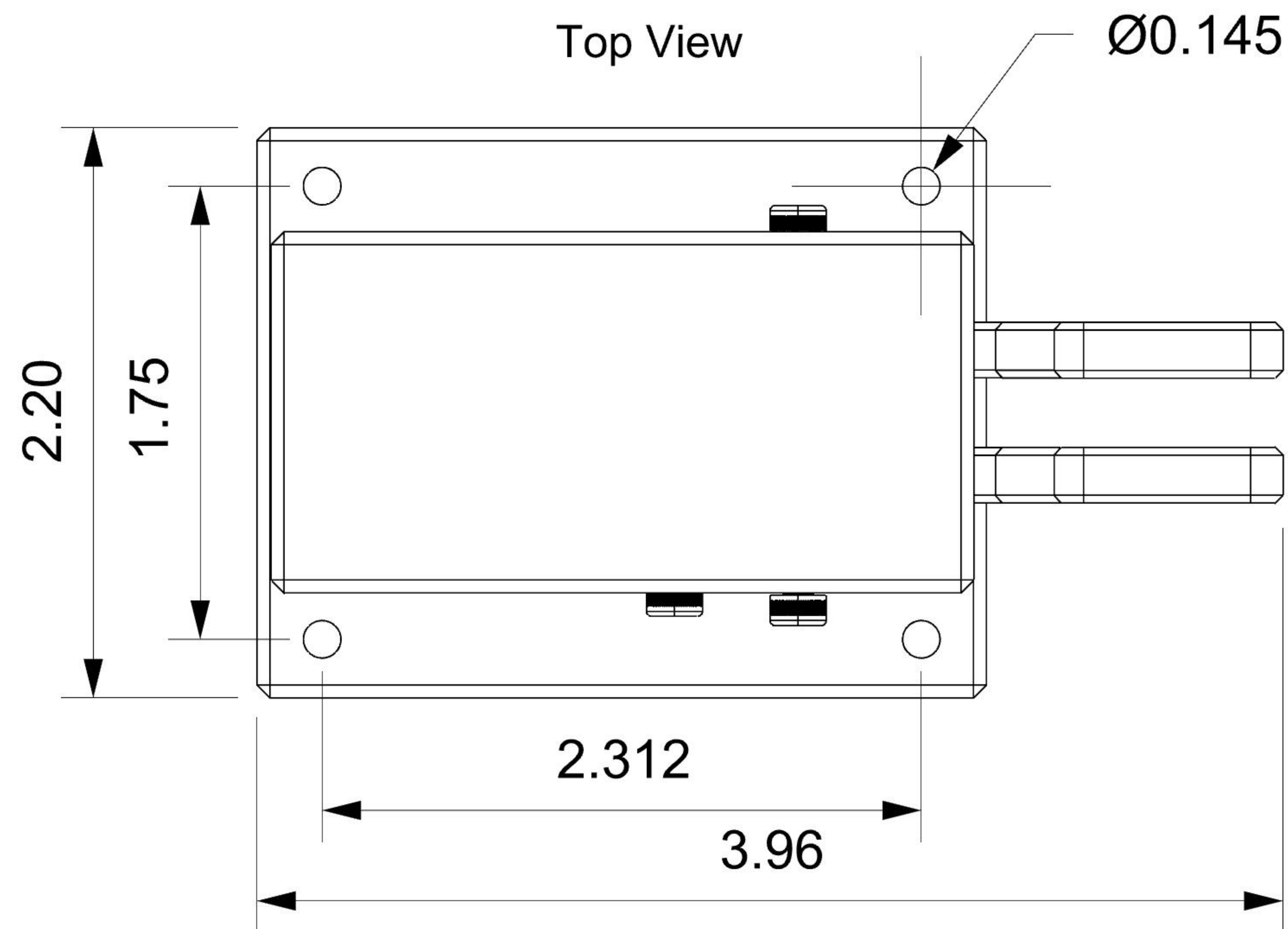
(Using A Standard 3.5mm TRS Stereo AUX Cable)



CW Morse 37 Series
High Speed Double Paddle

Data Sheet

All Rights Reserved
2022 CW Morse LLC
cwmorse.us



Side View (Left)

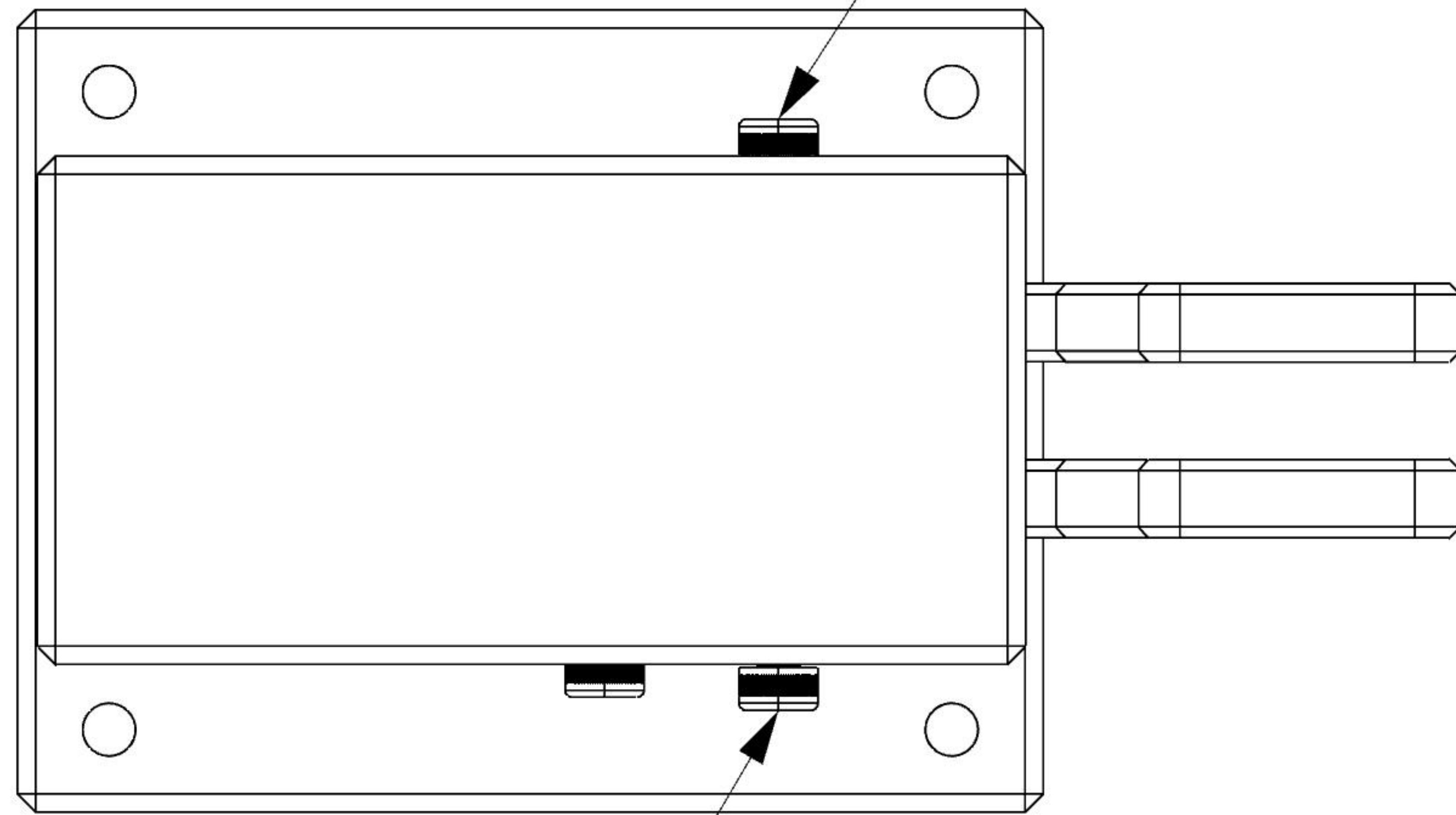
CW Morse 37 Series
High Speed Double Paddle

All Dimensions in Inches

All Rights Reserved
2022 CW Morse LLC
cwmorse.us

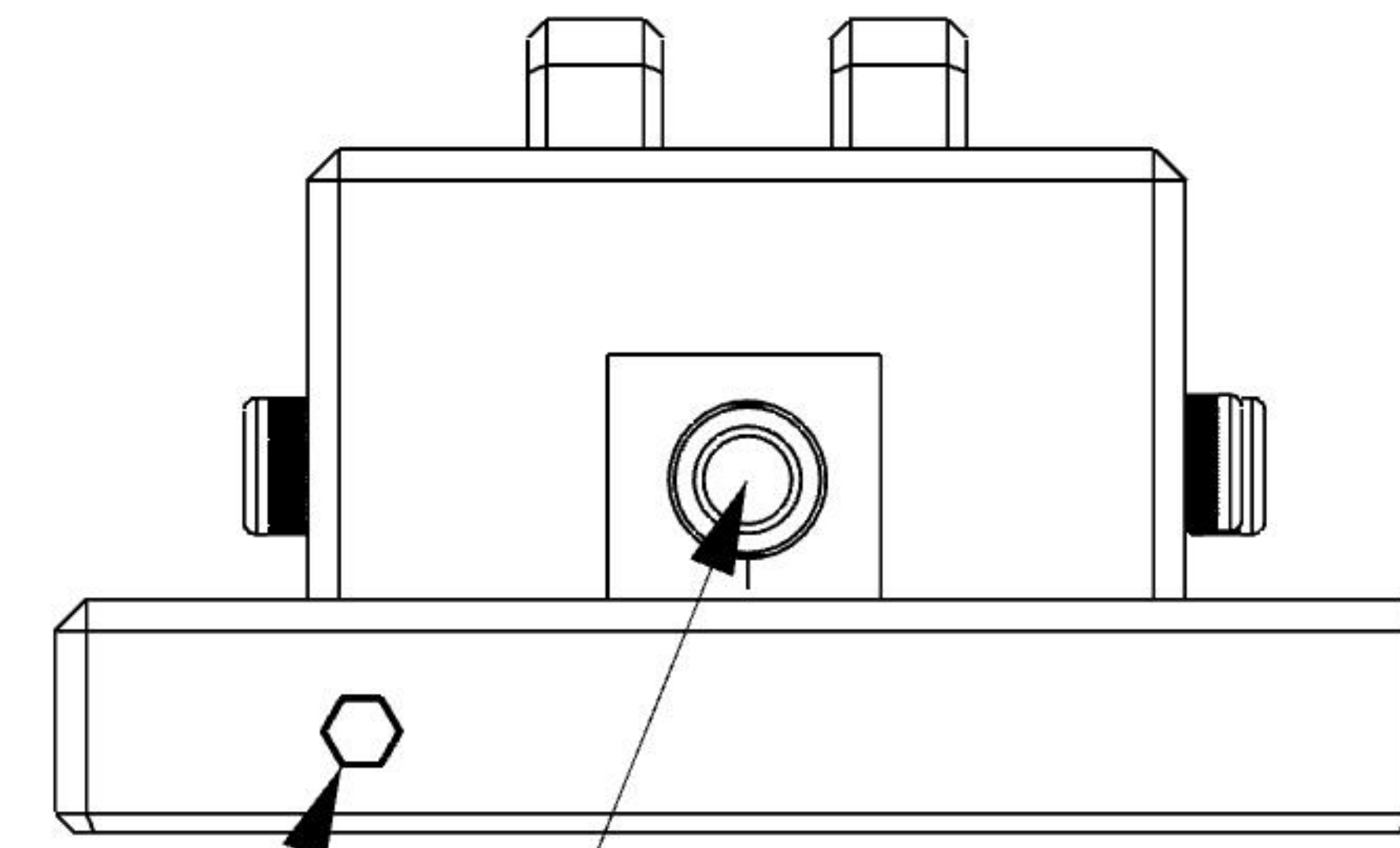
Top View

Right Paddle Gap
(Clockwise to Decrease)



Left Paddle Gap
(Clockwise to Decrease)

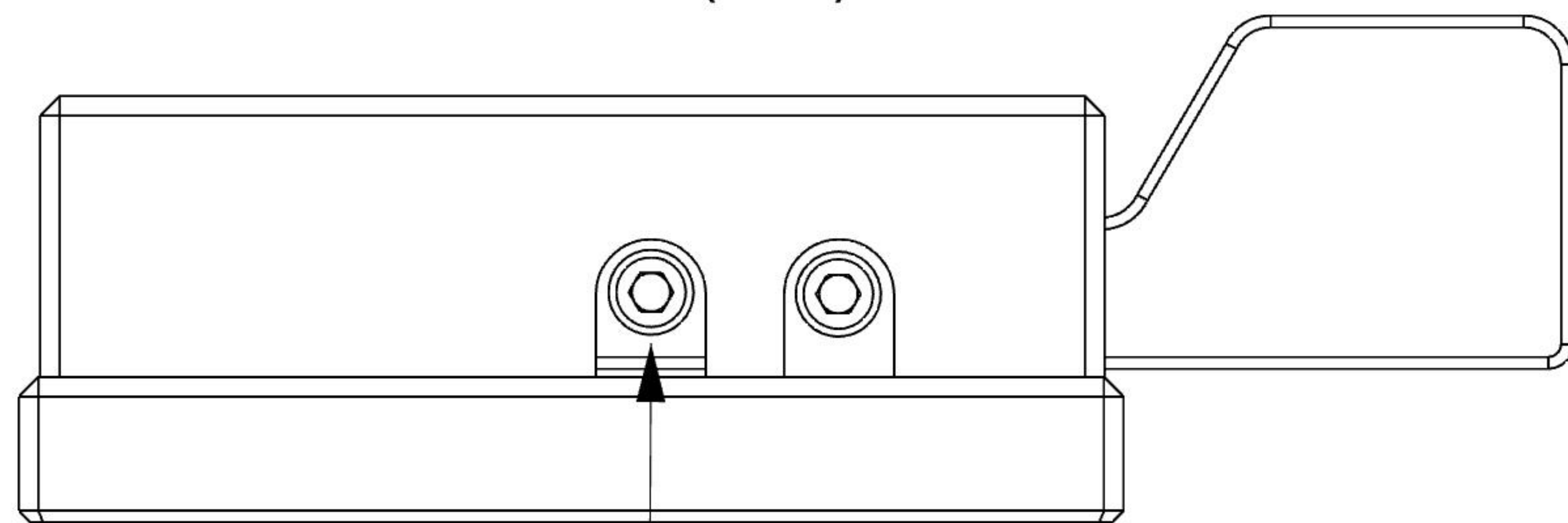
Rear View



Wrench Slot

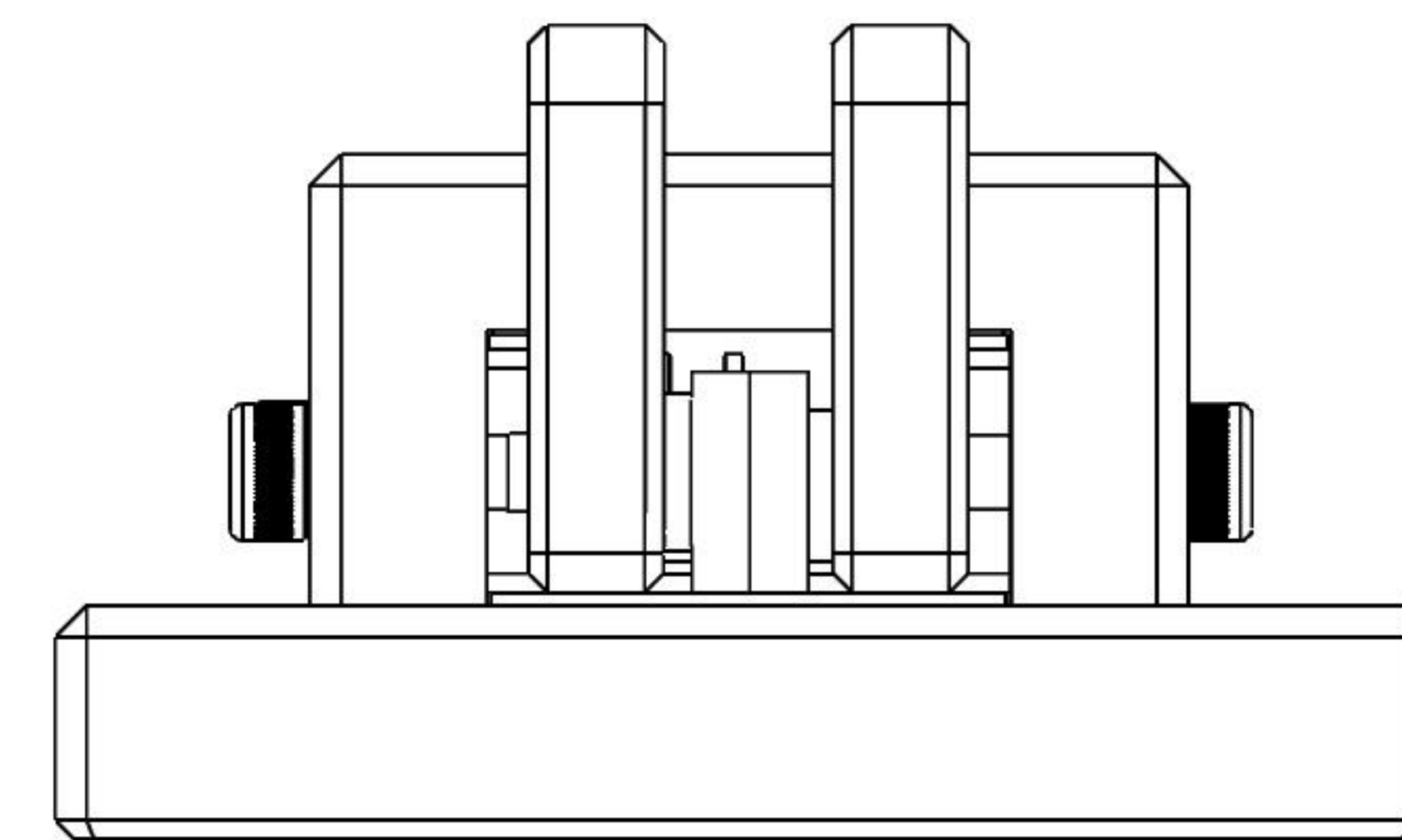
3.5mm Stereo Receptacle

Side View (Left)



Tension Adjustment
(Turn Clockwise to
Increase Tension)

Front View



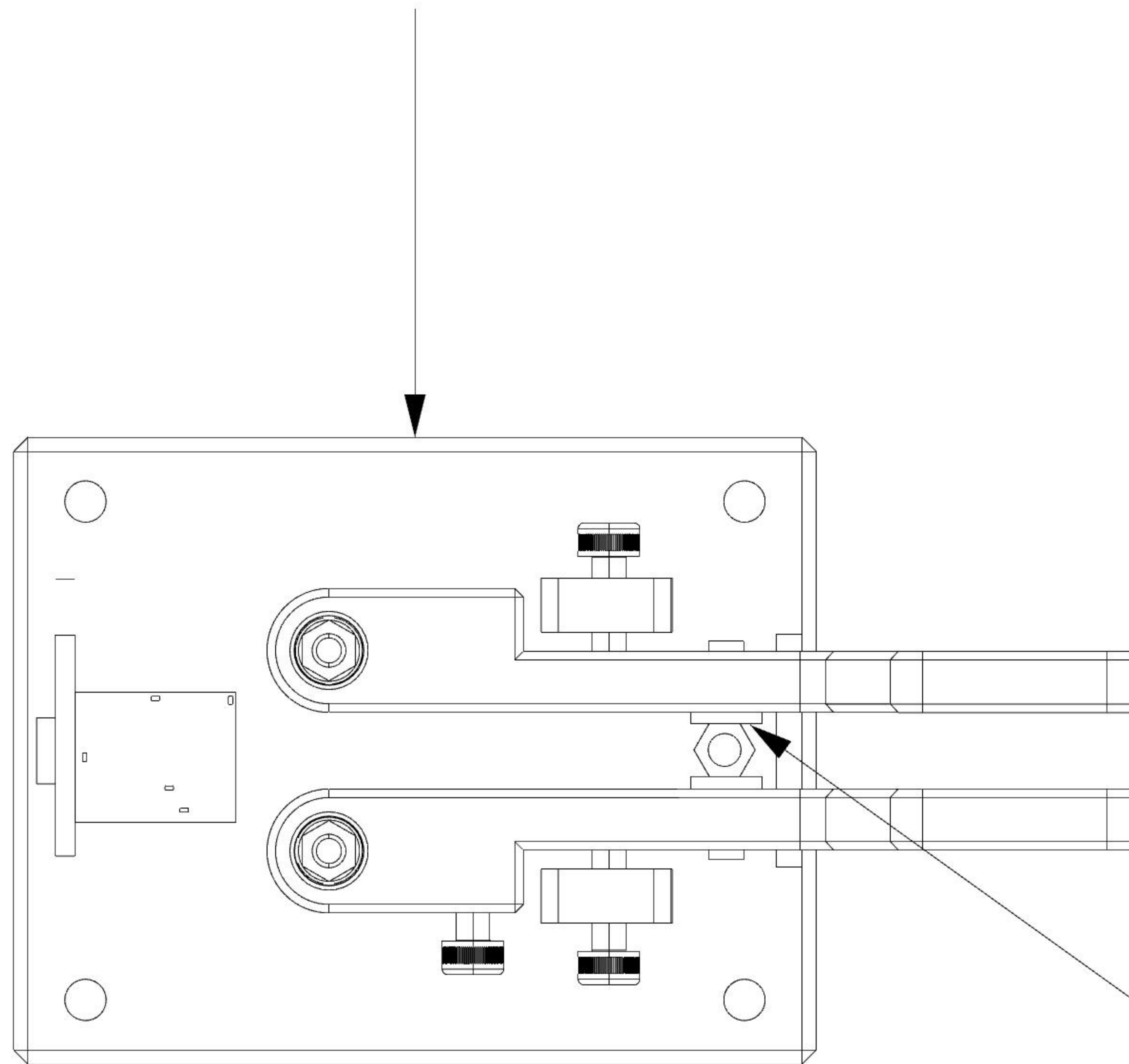
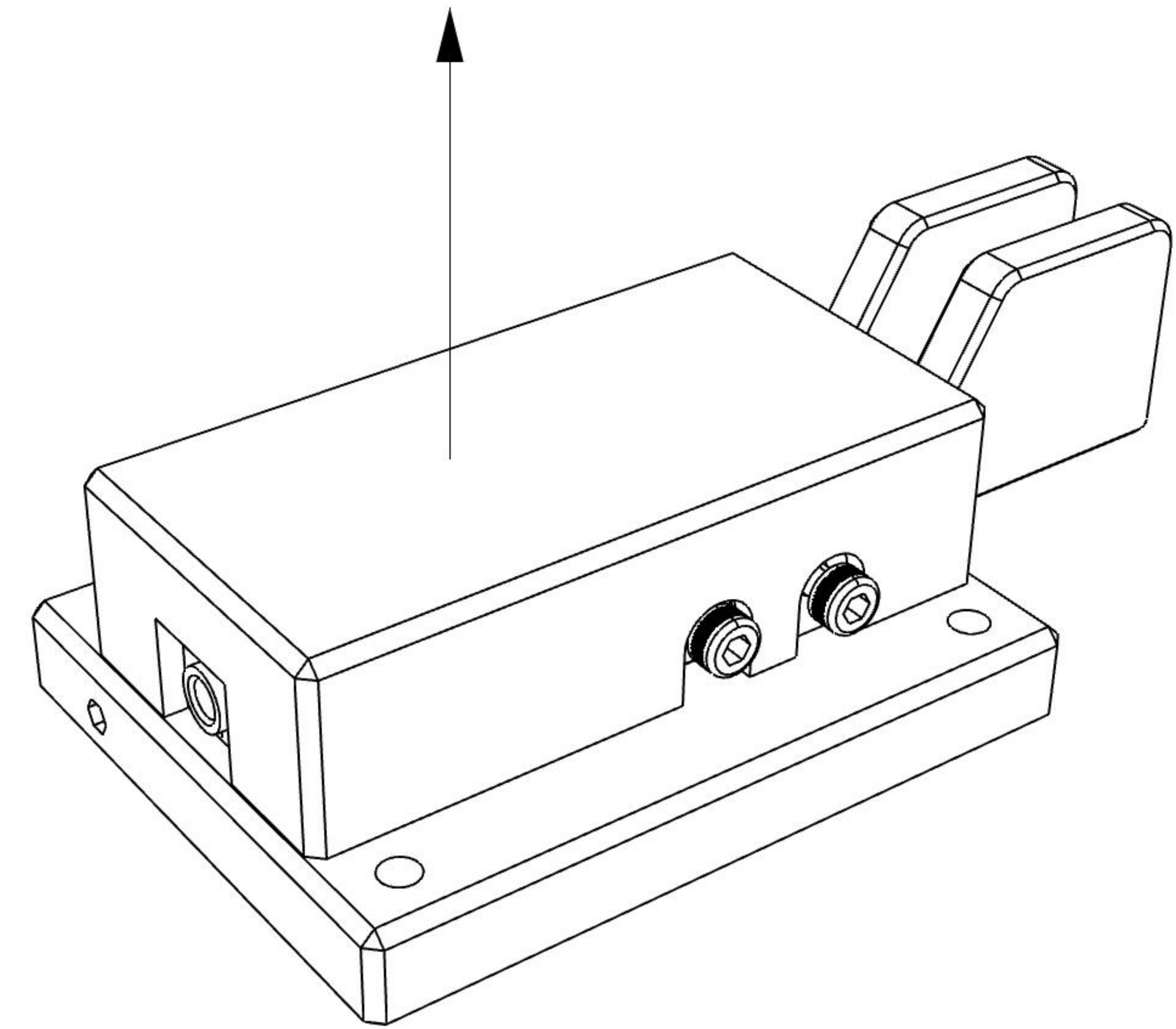
CW Morse 37 Series
High Speed Double Paddle

Features

All Rights Reserved
2022 CW Morse LLC
cwmorse.us

Cleaning and Maintenance

1. Remove Dust Cover By Pulling Straight Up
2. Clean with Compressed Air or Dry Paint Brush
3. Should Contacts Need Tarnish Removed



How To Clean The Solid Brass Contacts:

Use a small 1/2" wide strip of 220 grit sandpaper or Paper Nail File.
Close Contacts gently and Pull Sandpaper Through
Flip Paper Over And Repeat

CW Morse 37 Series
High Speed Double Paddle

Cleaning

All Rights Reserved
2022 CW Morse LLC
cwmorse.us