



A brand of ENSUPRA LLC

19840 FM 1093, Suite: F-160

RICHMOND, TX 77407

Tel: 800.823.9786

E-mail: info@pluggedsolar.com

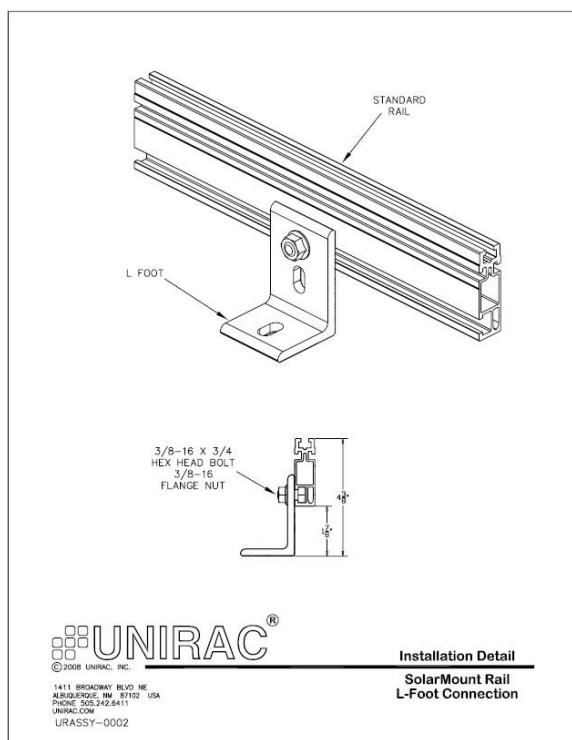
Expendable 1.8KW Solar Panels with 5KW System Roof Installation Manual

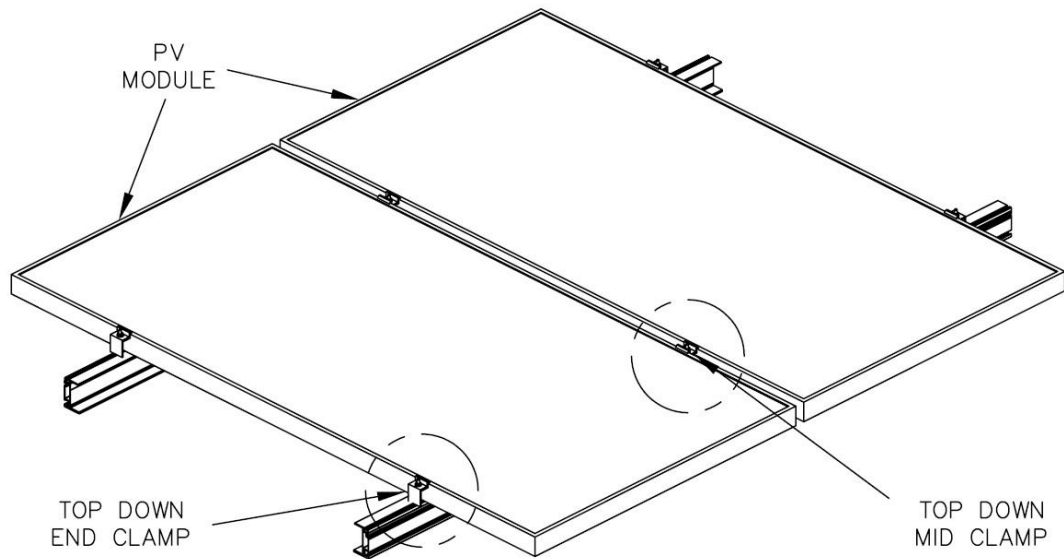
Include Elements:

- Solar PV Panels: Total 1.8KW; Typical solar panels are 360Watts, size 6.5ft x 3.6ft. 5PCS of Solar Panels. You can ask for more panels to start with.
- Unirac™ roof installation hardware.
- SMA Grid-Tie Inverter 5KW, approved by utility
- Solar DC wire with MC4 connectors & AC wire for connecting the inverters end to the circuit breaker or 240V plug.

Installation Steps

1. Using Unirac Universal PV Module Roof Mounts installation booklet, install the roof mount system in your roof and secure the panels.



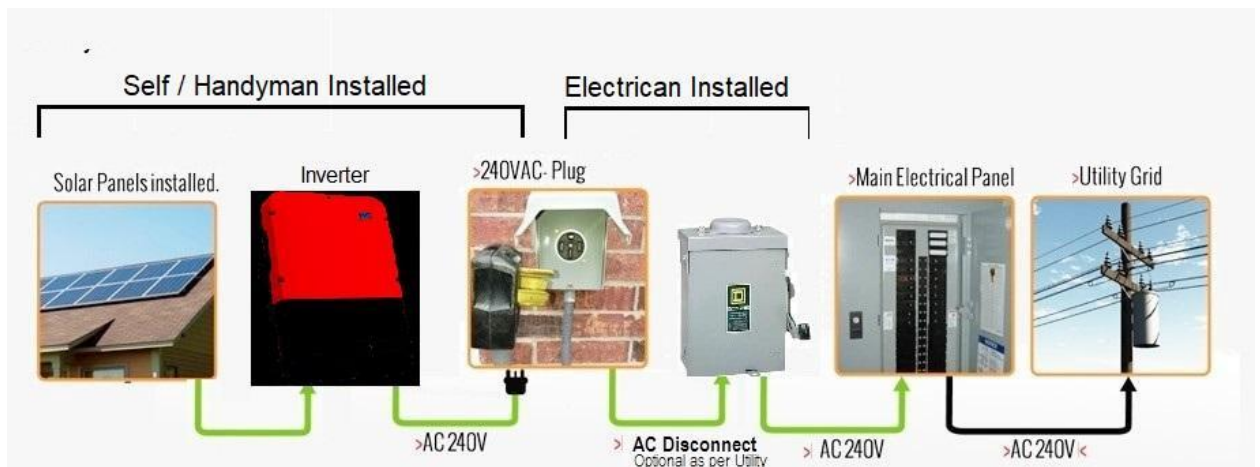


Solar panel installation video with Unirac

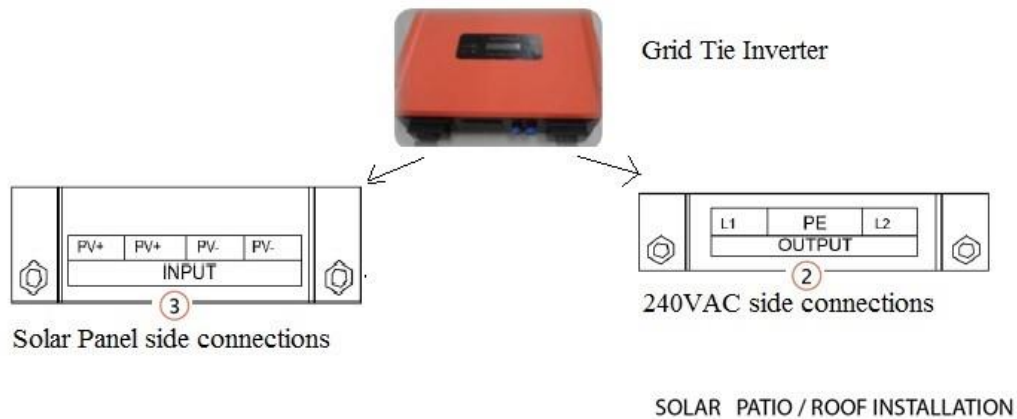
<https://www.youtube.com/watch?v=QFRXavTA1AI&t=5s>

<https://www.youtube.com/watch?v=jGplJO--qqw>

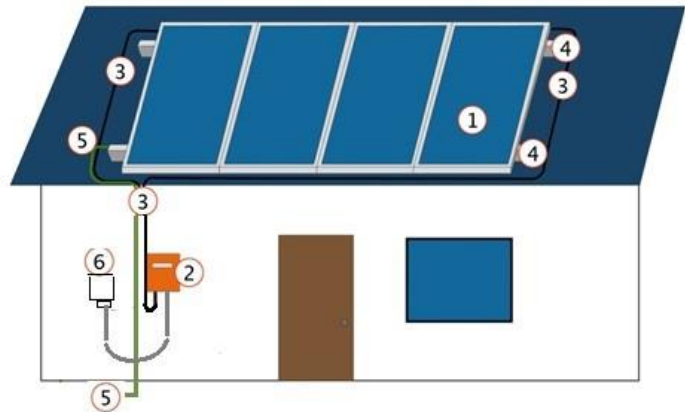
2. Attach the 10guage ground wire (not provided and can be bought from local store) to the rail.



6. Attach AC cables to the AC side of the inverter. Connect the naked copper wire to the “PE” slot as shown in drawing tomorrow. The other two wires go to ‘L1’ and ‘L2’
7. Wires from the AC side of the inverter go to one of the available 240V AC circuit breaker (min 25Amp). If there is none available, you may buy one circuit breaker from the local hardware store and put into a vacant slot of the electric box. It is highly recommended to get a professional electrician to do the 240VAC work.
8. Turn on the breaker, Wait 6 minutes for the Plugged Solar System to start and check the Inverter display.



- ① Solar Panel
- ② Inverter box
- ③ DC Cable
- ④ Roof Racking
- ⑤ Ground Cable
- ⑥ Main Elec.Box



9. Start saving money on electricity by using Plugged Solar™.

If you want ground mount system, please contact us for ground mount additional racking.

www.PluggedSolar.com Tel: 800.823.9786 E-mail: info@plugged solar.com