



A brand of Plug Watts Inc.

324 S Main St, Milpitas,
CA 95035
Tel: 800.823.9786
E-mail: info@plugged solar.com

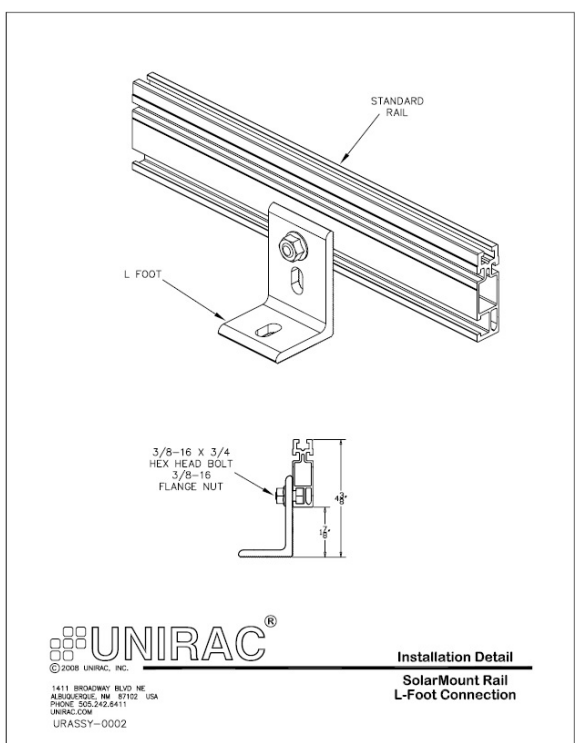
10 KW Roof Installation Manual

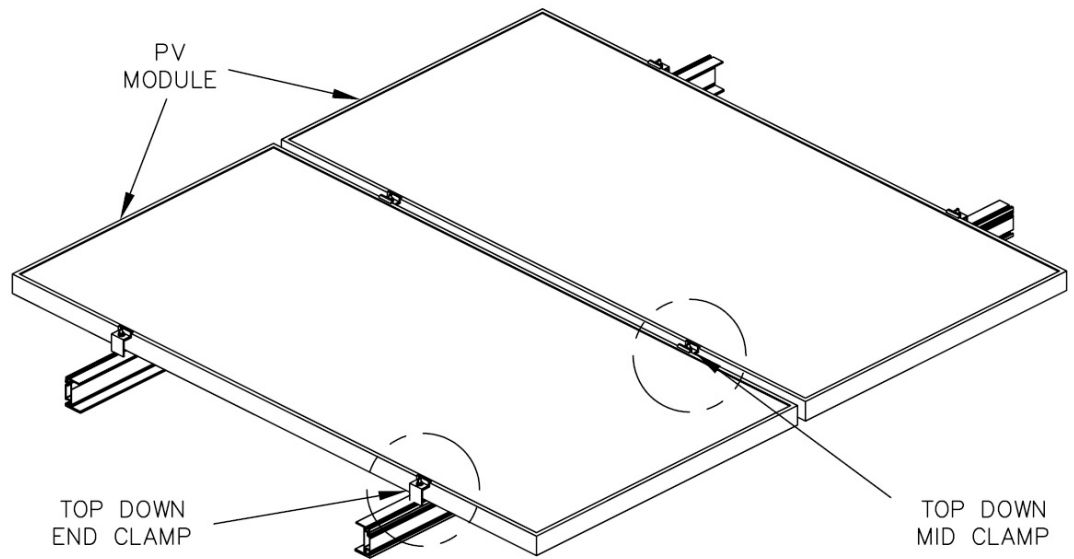
Include Elements (Please see details in the Appendix):

- Solar PV Panels: Up to 10KW
- Unirac™ roof installation parts.
- Solis Hybrid Grid-Tie/Off-grid Inverter 10KW, 97.5% Efficiency, approved by utility
- DC solar PV cord with Mc4 for connecting solar panels to the solar inverters.
- AC Wires
- AC Disconnect
- Wifi Monitor

Installation Steps

1. Using Unirac Universal PV Module Roof Mounts installation booklet, install the roof mount system in your roof and secure the panels.



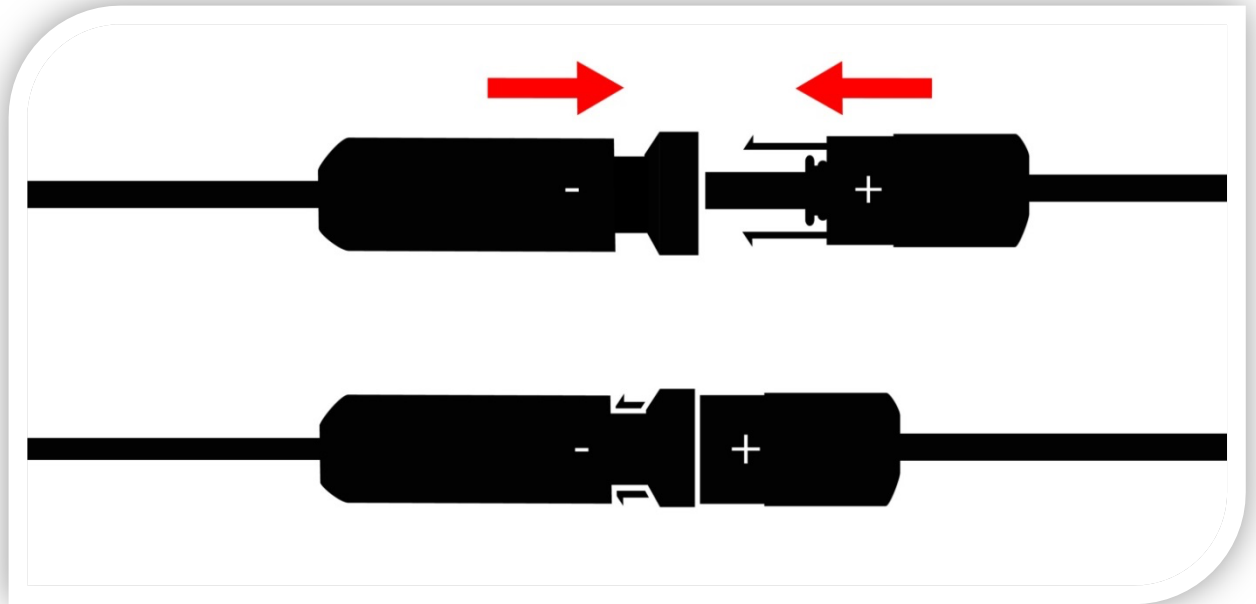


Solar panel installation video with Unirac

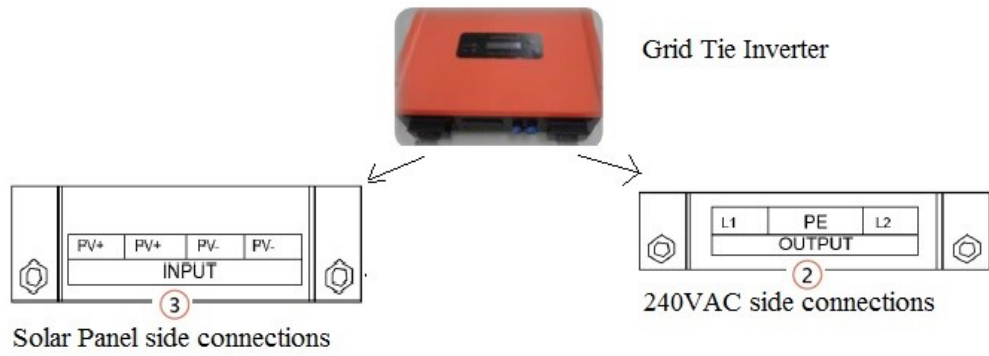
<https://www.youtube.com/watch?v=QFRXavTA1AI&t=5s>

<https://www.youtube.com/watch?v=jGplJO--qqw>

2. Attach the 10guage ground wire (not provided and can be bought from local store) to the rail.
3. Start the connecting solar panels with each other, positive/male to negative/female in series, using the snap-plug connectors.

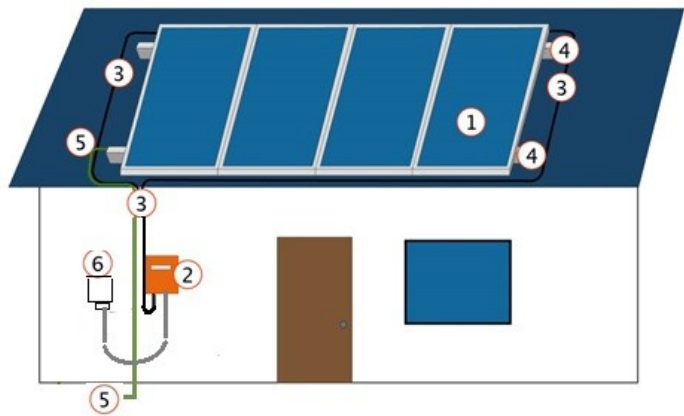


Electrical Connections



SOLAR PATIO / ROOF INSTALLATION

- ① Solar Panel
- ② Inverter box
- ③ DC Cable
- ④ Roof Racking
- ⑤ Ground Cable
- ⑥ Main Elec.Box



9. Start saving money on electricity by using Plugged Solar™.

If you want ground mount system, please contact us for ground mount additional racking.

www.PluggedSolar.com Tel: 800.823.9786 E-mail: info@plugged solar.com

Details of Included Parts

Qty	Item
14	RECOM 380W 72-Cell Mono Tier 1 Solar Panel <ul style="list-style-type: none">• Manufacturer: RECOM Model: RCM-380-6MA• Rated Power Output [W]: 380• Length [mm (in)]: 1960 mm (77.17 in)• Width [mm (in)]: 990 mm (38.98 in)• Depth [mm (in)]: 40 mm (1.57 in)• Weight [kg (lb)]: 22.5 kg (49.61)
1	Solis 10kW Single-Phase Dual MPPT Energy Storage Hybrid Inverter with SunSpec Transmitter RHI-1P10K-HVES-5G-SPRT <p>Solis 10kW Single-Phase Dual MPPT Energy Storage Hybrid Inverter with SunSpec Transmitter</p> <p>Warranty: 10 years Rated Output Power: 10kWh Rated Grid Voltage: 208 V / 240 V Rated Grid Frequency: 60 Hz Weight: 66.1 lbs (30 kgs) Dimensions (LxWxH): 28.1 x 20.2 x 8.18 in CEC Efficiency: 97.5% DC to AC Ratio: 1.4 Communication: RS485, Optional: Wi-Fi, Cellular Operating Temperature Range: -13°F to 140°F (-25°C to 60°C) Maximum Operation Altitude: 6, 560 ft (2000 m) Cooling: natural convection Topology: Transformerless</p>
1	Solis External Autotransformer Solis-ATR-6K
8	Unirac Rail Standard Duty 132 in. 11 Ft. Mill SolarMount SM 320132M <p>Unirac SolarMount SM 132 inch, 11 feet, Rail 320132M (Mill Finish)</p>
4	Unirac Splice Bar Clear Bonding Serrated 303019M SM Qty.1 303019M <p>Unirac SolarMount Bonding Splice Bar Serrated, CLEAR, Qty. 1 303019M</p>
3	Unirac FLASHKIT PRO, Mill 004055M 004055M <p>Unirac FLASHKIT PRO, Mill 10PK 004055M Featuring EcoFasten Solar Technology FLASHKIT PRO - A Complete Flashing & Attachment Solution for Composition Roofs</p>
20	Unirac SolarMount PRO SERIES Universal Mid Clamp Mill 302030 302030M <p>Unirac SolarMount PRO SERIES Universal Mid Clamp Mill 302030M</p>

Qty	Item
8	<p>Unirac SolarMount PRO SERIES Universal End Clamp with End Cap 302035M Unirac SolarMount PRO SERIES Universal End Clamp with End Cap 302035M</p> <p>Requires the rails to be cut flush to the last modules edge to work properly</p>
2	<p>Unirac Grounding Weebug-1 008002S SolarMount SM 008002S Unirac SolarMount SM Ground Weebug #1 008002S WILEY ELECTRONICS Lay-In Ground Lug WEEBLUG NOTE: One or two grounding lugs required per module row, depending on AHJ (usually only one is required).</p>
36	<p>Unirac Wire Clip for Double PV Wire DCS-1307, Qty 1 008004S Unirac Stainless Steel Cable PV Wire Clip for DOUBLE Wire (up to 7.7mm) DCS-1307, Qty 1 1/8" MAX. Thick Panel Holds 1 or 2 PV Wires Wires Rolled Edge For Maximum Wire Protection Made in USA SolarMount SM Nine Fasteners</p>
1	<p>SQUARE-D DU222RB AC Disconnect, NEMA3R, 60A 240VAC,2-Pole UF DU222RB SQUARE-D DU222RB AC Disconnect, NEMA3R, 60A 240VAC, 2-Pole UF</p>
100	<p>Grounding Wire 6 SOL-BARE SOFT DRAWN-CU-500 Price per Ft WIR 6SOL-BARE-SD-500 Grounding Wire 6AWG SOL-BARE SOFT DRAWN-CU-500 Price per Ft Any length in multiples of 100ft</p>