



A brand of Plug Watts Inc.

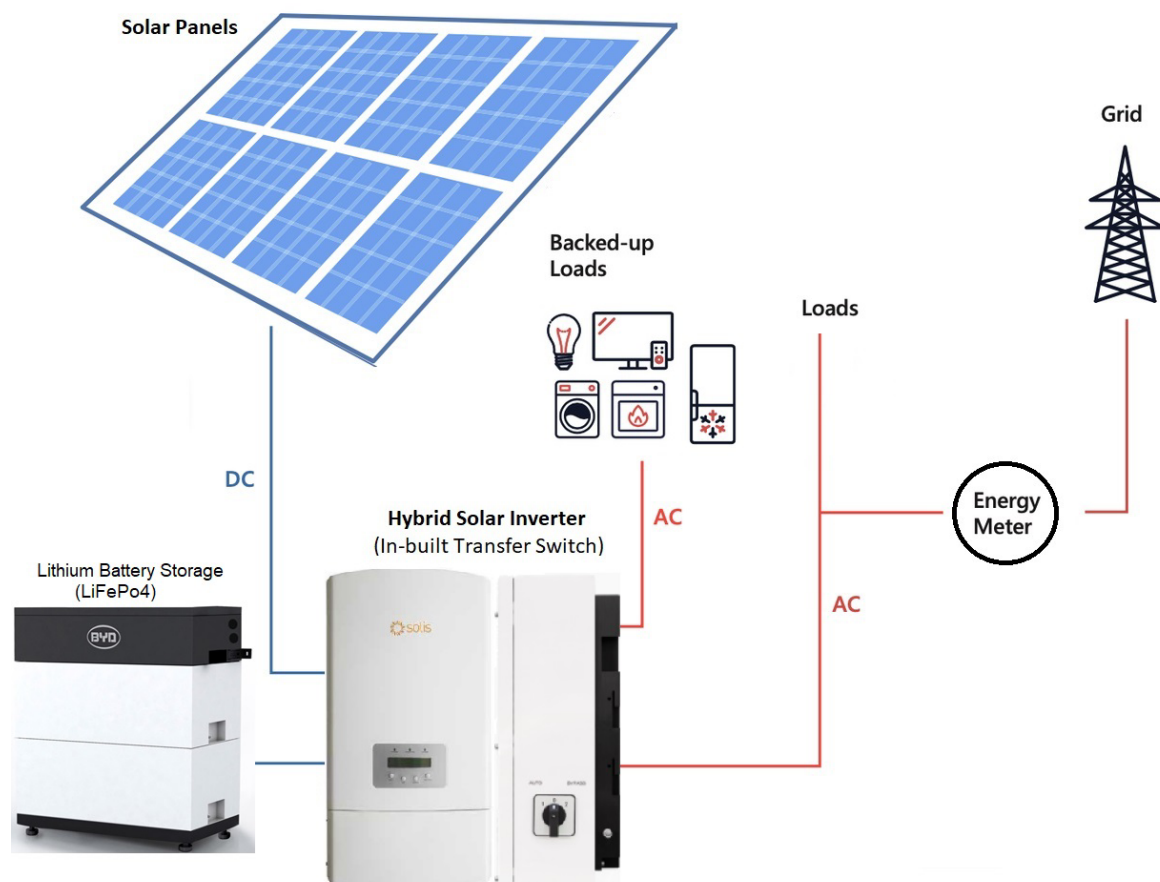
19840 FM 1093, Suite: G-03

RICHMOND, TX 77407

Tel: 800.823.9786

E-mail: info@plugged solar.com

## Plugged Solar™ Ground Installation Manual

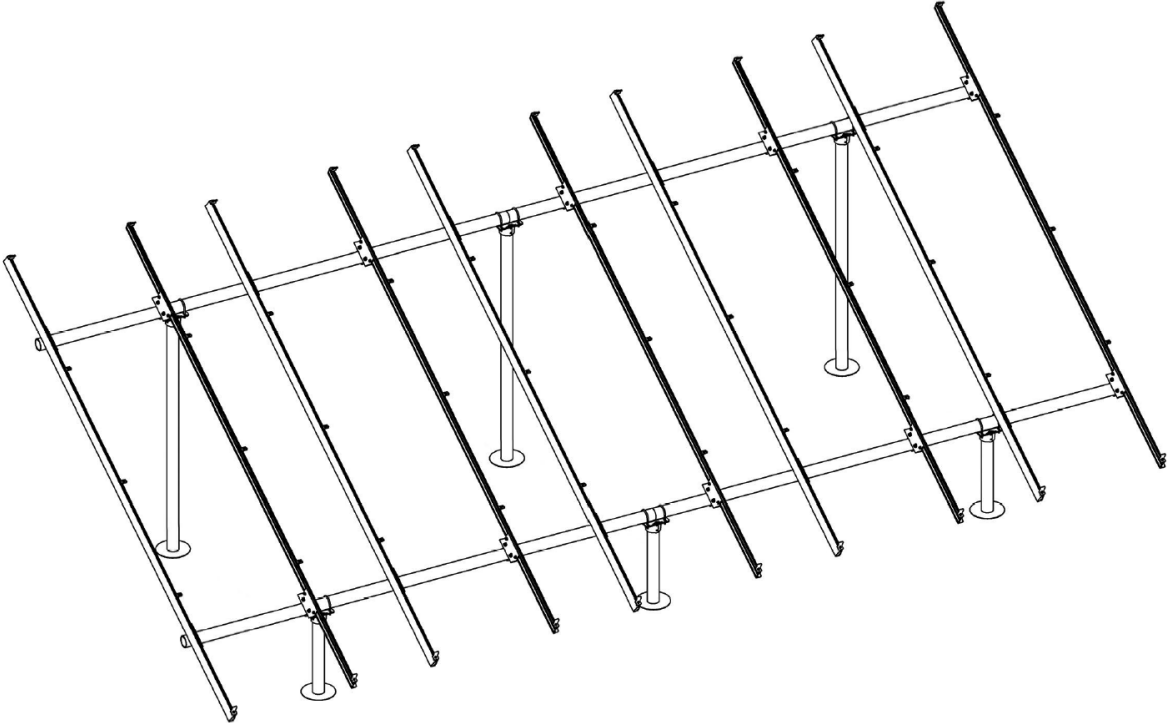


### Include Elements:

- Solar PV Panels
- Mounting Hardware for Ground
- Hybrid Inverter
- DC and AC Wires
- AC Disconnect
- Lithium Battery (optional)
- Wifi Power Monitor

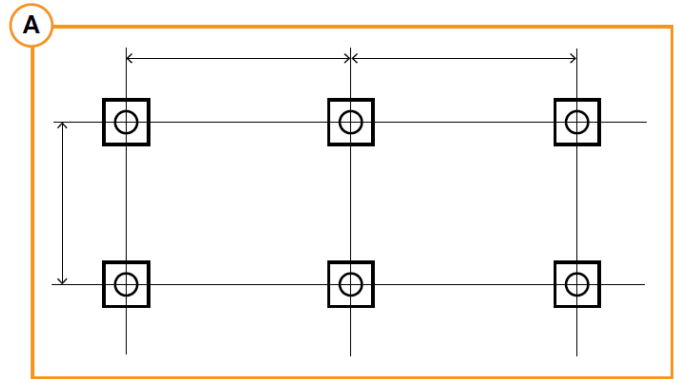
Installation Steps

1. Attach Fixed Leg to the L-Bracket on high side and L-Bracket to the rail on the lower side as shown in the following drawing. On high side , attach rail with proper nuts and bolts.



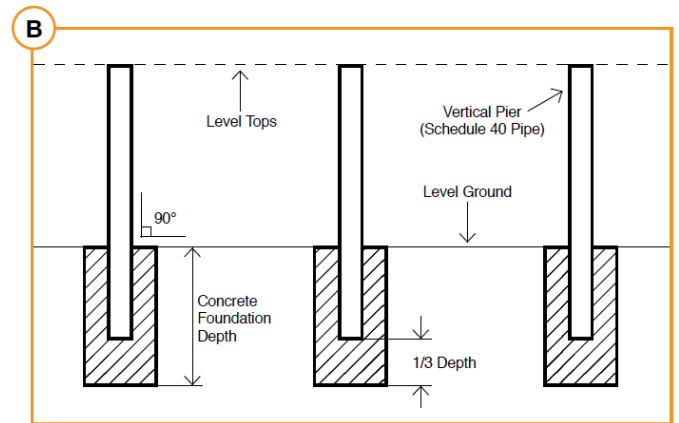
### A. MARK LOCATIONS

Establish pier locations. Once grid of pier locations has been set, verify all angles are square.



### B. POSITION PIERS

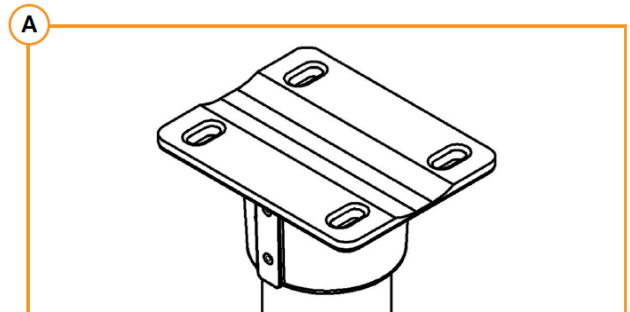
Excavate for foundations, insert vertical piers, and pour concrete foundations. Make sure vertical piers are plumb, level, and square, in parallel rows, evening tops with level.



## 2. CONNECT SUBSTRUCTURE

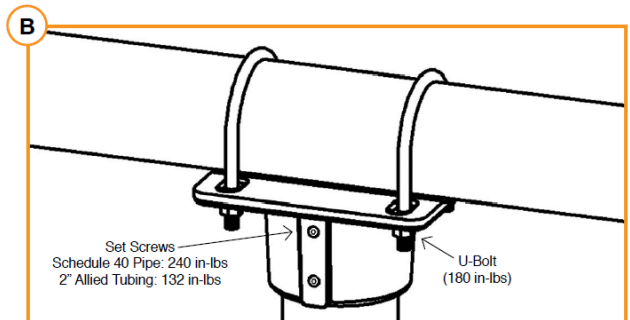
### A. MOUNT TOP CAPS

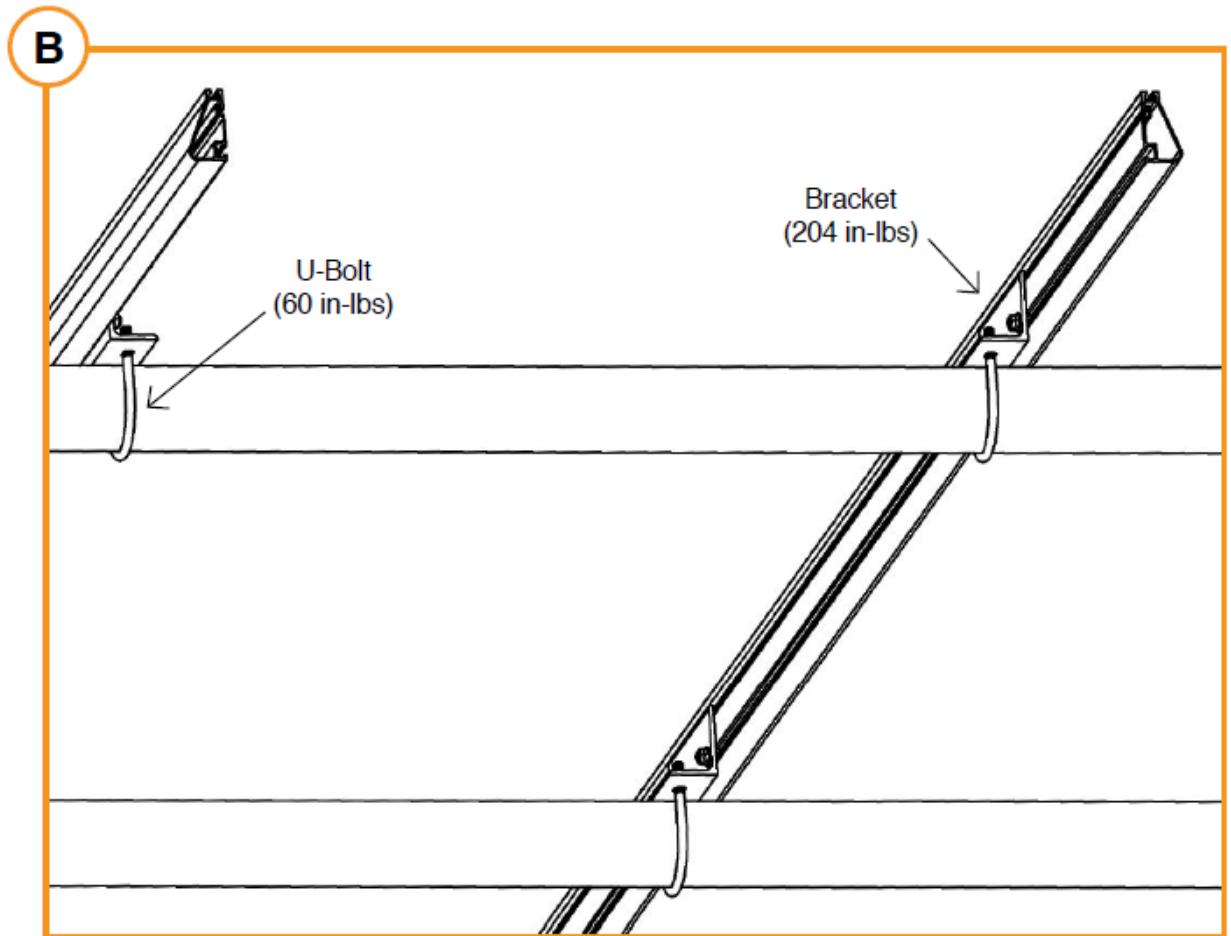
Mount a Top Cap on each pier. Wait to tighten set screws.



### B. LAY CROSS PIPE

Set cross pipes/tubing in Top Cap grooves. Attach with 3/8"-16 U-bolts, flange nuts, flat washers, and lock washers. Torque U-bolts to 180 in-lbs. Complete and align entire assembly.





Lay the solar panels on the rail/channel. The rail joiner is supplier to extend the length of rail.

