

QUICK START GUIDE

INSTALLING THE POLE MOUNT

ONTO THE ENVIRONMENTAL ENCLOSURE

MODEL 854030

This guide will help you install the Pole Mount (854031) for Environmental Enclosure Model 854030.



WARNING

Follow appropriate regulations and safety requirements for installing this equipment to include, but not limited to, electrical safety and working at heights

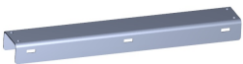





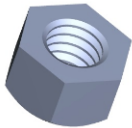

WARNING

All wiring should be connected by a qualified electrician

Unpacking the Pole Mount (854031) for Environmental Enclosure (854030)


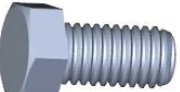


1. Unpack the Pole Mount (854031) for Environmental Enclosure (854030) and verify that all the items listed in the following table are present.
2. Contact [TSI](#) immediately if items are missing or broken.

Qty.	Item Description	Reference Picture
1	Vertical Bracket	
2	Horizontal Bracket	
4	¼ - 20 x 0.75" Button Head Screws	
8	¼" Washers	

Qty.	Item Description	Reference Picture
4	¼ nut	
3	Hose Clamps 4" to 6 1/8"	

Unpacking Hardware Kit Included in Environmental Enclosure (854030)

1. Unpack Hardware Kit included with Environmental Enclosure (854030) and verify that all items listed in the following table are present.
2. Contact [TSI](#) immediately if items are missing or broken.

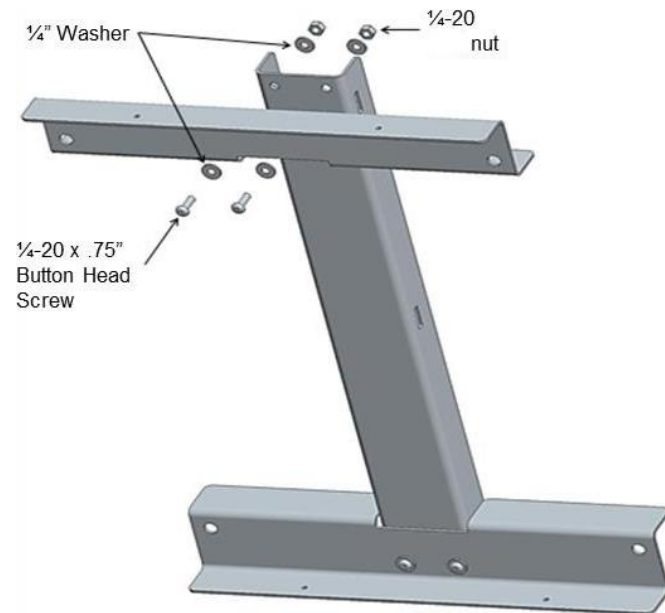
Qty.	Item Description	Reference Picture
4	3/8" Washer	
4	3/8" – 16 x 0.75" Hex Bolt	
4	3/8" Sealing Washer	
4	3/8" Nut	

Tools Needed for Installation

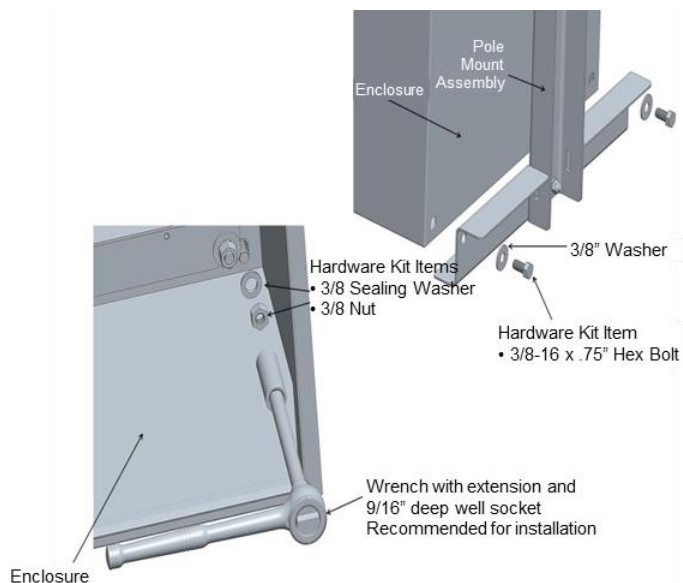
- 5/32" Ball Driver or Allen Wrench.
- Wrench with extension and 9/16" deep wall socket.
- 5/16" Nut Driver
- Flat blade screwdriver

Assembling and Installing the Pole Mount (854031)

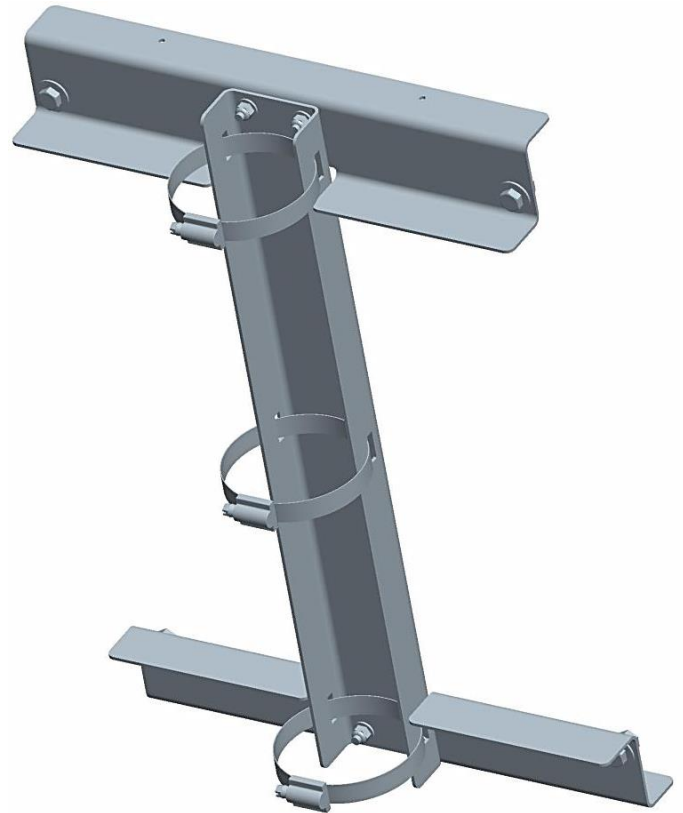
1. Attach the pole mount bracket to the cross bars using a 5/32" ball driver, 1/4" screws, washers, and locknuts.



2. Attach the pole mount to 4 locations on the environmental enclosure using the provided 3/8" screws, washers, and nuts.



3. Run hose clamps through the pole mount slot as shown. Leave the ends of the hose clamps disconnected (enclosure not shown). If pole diameter is not between 4" to 6-1/8", appropriate size hose clamps may be purchased at a local hardware store.



4. Position the enclosure and attached pole mount against pole at the desired height and tighten hose clamps using a 5/16" nut driver.

