



INSULATED CONNECTORS Multi-Tap

2023

Insulated Two Wire In-Line and Dual Sided Entry

Features

- Broad wire range: 750kcmil-14
- 600 volts, 90° C
- Dual rated
- Cold temperature rated to -45° C
- High dielectric strength plastisol
- Black cover
- Removable plugs
- Prefilled with De-ox®

Benefits

- Flexibility in the field
- Ensures reliability
- For copper or aluminum conductor
- Application variability
- Chemical resistant
- UV Rated
- Entry port closure
- Prevents oxides from forming



Item No.	Figure No.	Wire Range	Size (In.)			Hex Size
			L	W	H	
ITC-101-1/0AWG	1	1/0 - 14 AWG	2.99	0.95	1.42	Slotted or 3/16"
ITC-102D-1/0AWG	2	1/0 - 14 AWG	1.63	1.7	1.45	Slotted or 3/16"
ITC-101-2/0AWG	1	2/0 - 6 AWG	3.15	0.99	1.46	Slotted or 3/16"
ITC-102D-2/0AWG	2	2/0 - 6 AWG	1.65	1.71	1.52	Slotted or 3/16"
ITC-101-2AWG	1	2 - 14 AWG	2.44	0.8	1.22	Slotted or 5/32"
ITC-102D-2AWG	2	2 - 14 AWG	1.35	1.57	1.22	Slotted or 5/32"
ITC-101-3/0AWG	1	3/0 - 6 AWG	3.46	1.06	1.67	7/32"
ITC-102D-3/0AWG	2	3/0 - 6 AWG	1.82	1.87	1.61	7/32"
ITC-102D-4AWG	2	4 STR - 14 STR	1.16	1.38	1.26	Slotted
ITC-101-4/0AWG	1	250MCM - 6 AWG	3.98	1.26	1.94	5/16"
ITC-101-500MCM	1	500MCM - 4 AWG	5.15	1.65	2.75	3/8"
ITC-102D-500MCM	2	500MCM - 4 AWG	2.82	2.84	2.58	3/8"
ITC-101-600MCM	1	600MCM - 4 AWG	5.61	1.81	2.87	3/8"
ITC-102D-600MCM	2	600MCM - 4 AWG	3.15	3.15	2.87	3/8"

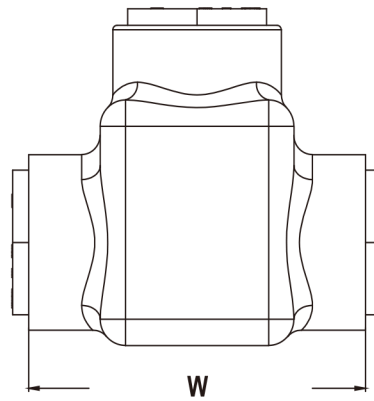
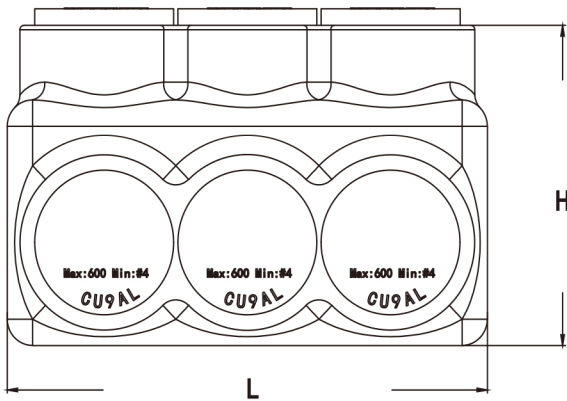
Insulated Multi-Tap Connectors Dual Sided Entry

Features

- Broad wire range: 750kcmil-14
- 600 volts, 90° C
- Dual rated
- Cold temperature rated to -45° C
- High dielectric strength plastisol
- Black cover
- Removable plugs
- Prefilled with De-ox®

Benefits

- Flexibility in the field
- Ensures reliability
- For copper or aluminum conductor
- Application variability
- Chemical resistant
- UV Rated
- Entry port closure
- Prevents oxides from forming



3/8"

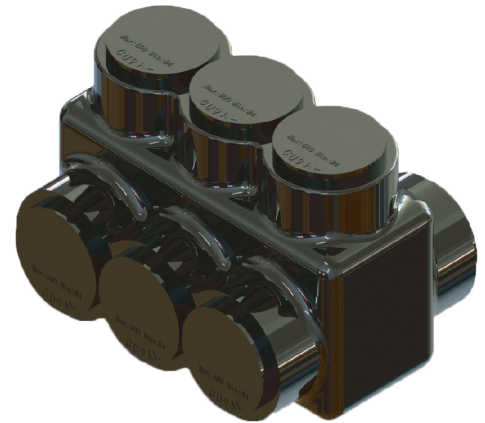


Fig.3

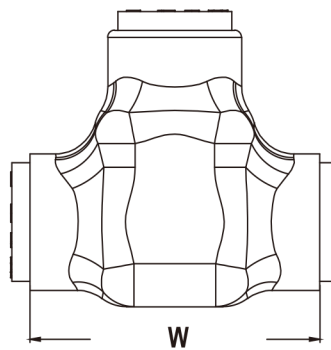
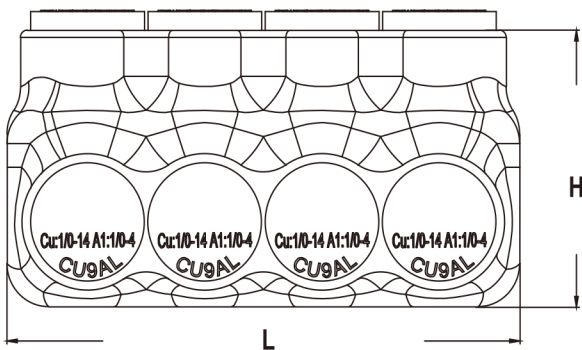


Fig.4

Item No.	Figure No.	Wire Range	Size (In.)			Hex Size
			L	W	H	
ITC-104D-1/0AWG	4	1/0 - 14 AWG	2.93	1.65	1.52	Slotted or 3/16"
ITC-104D-350MCM	4	350MCM - 6 AWG	4.55	2.6	2.6	3/8"
ITC-103D-500MCM	3	500MCM - 4 AWG	4	2.84	2.58	3/8"
ITC-103D-600MCM	3	600MCM - 4 AWG	4.49	3.15	2.87	3/8"

Insulated Multi-Tap Connectors Single Sided Entry

Features

- Broad wire range: 750kcmil-14
- 600 volts, 90° C
- Dual rated
- Cold temperature rated to -45° C
- High dielectric strength plastisol
- Black cover
- Removable plugs
- Prefilled with De-ox®

Benefits

- Flexibility in the field
- Ensures reliability
- For copper or aluminum conductor
- Application variability
- Chemical resistant
- UV Rated
- Entry port closure
- Prevents oxides from forming

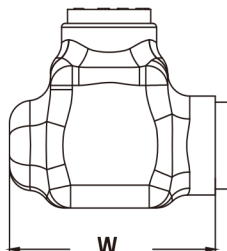
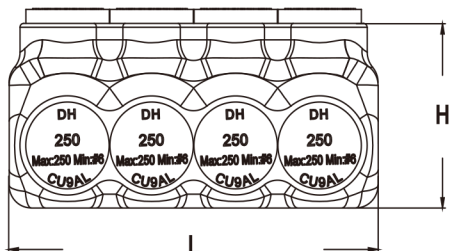
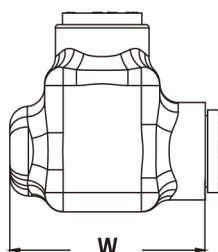
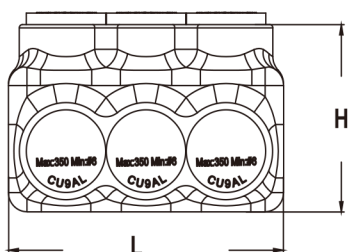
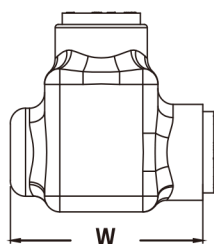
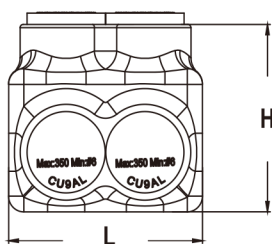


Fig.5

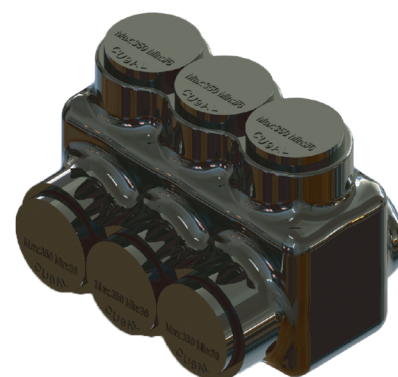


Fig.6



Fig.7

Item No.	Figure No.	Wire Range	Size (In.)			Hex Size
			L	W	H	
ITC-102-4AWG	5	4 STR - 14 STR	1.16	1.3	1.26	Slotted
ITC-103-4AWG	6	4 STR - 14 STR	1.57	1.26	1.26	Slotted
ITC-104-4/0AWG	7	250MCM - 6 AWG	3.98	2.22	1.91	5/16"
ITC-102-350MCM	5	350MCM - 6 AWG	2.52	2.5	2.34	3/8"
ITC-103-350MCM	6	350MCM - 6 AWG	3.52	2.5	2.34	3/8"
ITC-102-500MCM	5	500MCM - 4 AWG	2.82	2.69	2.58	3/8"
ITC-103-500MCM	6	500MCM - 4 AWG	4	2.69	2.58	3/8"