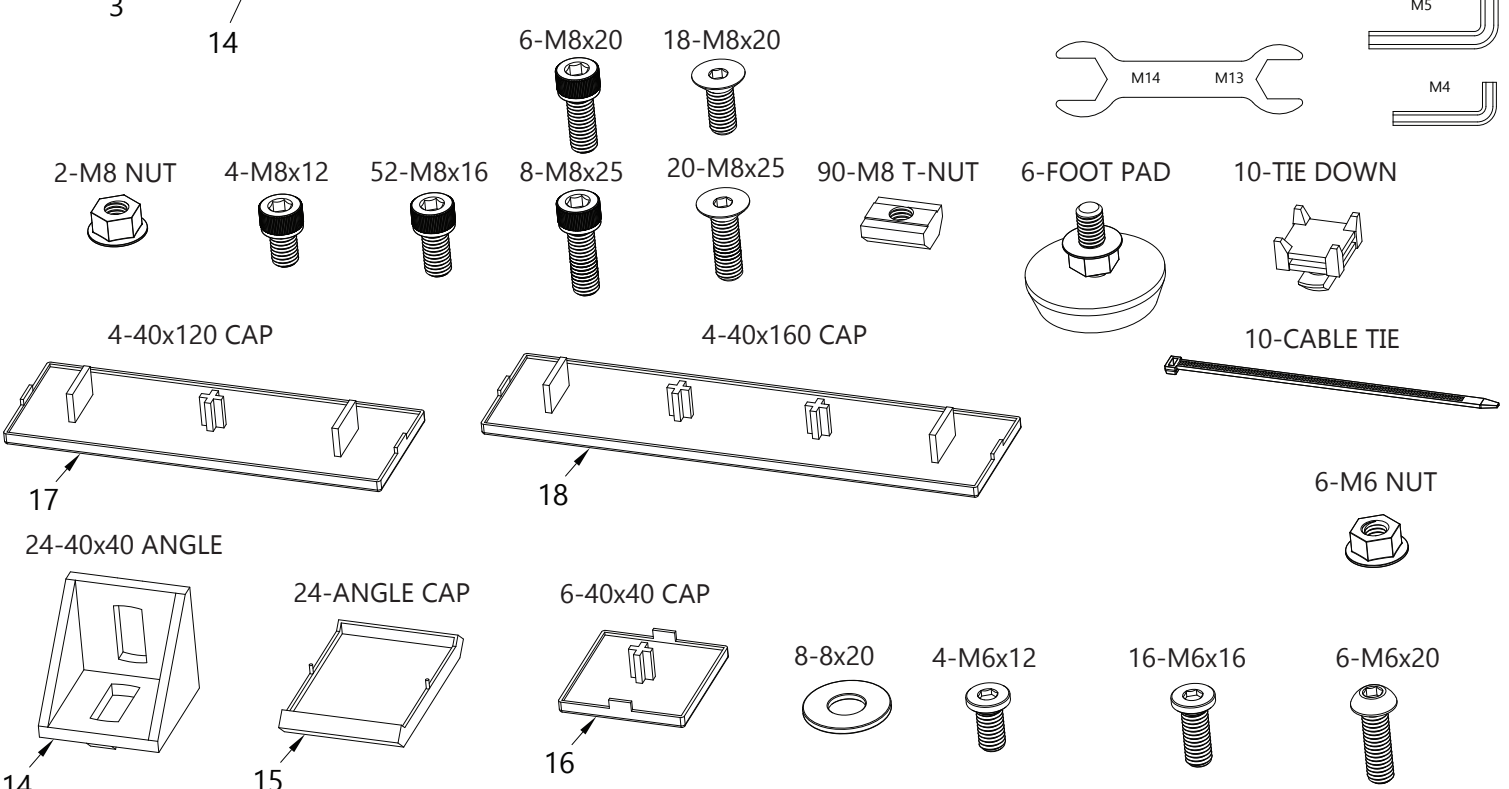
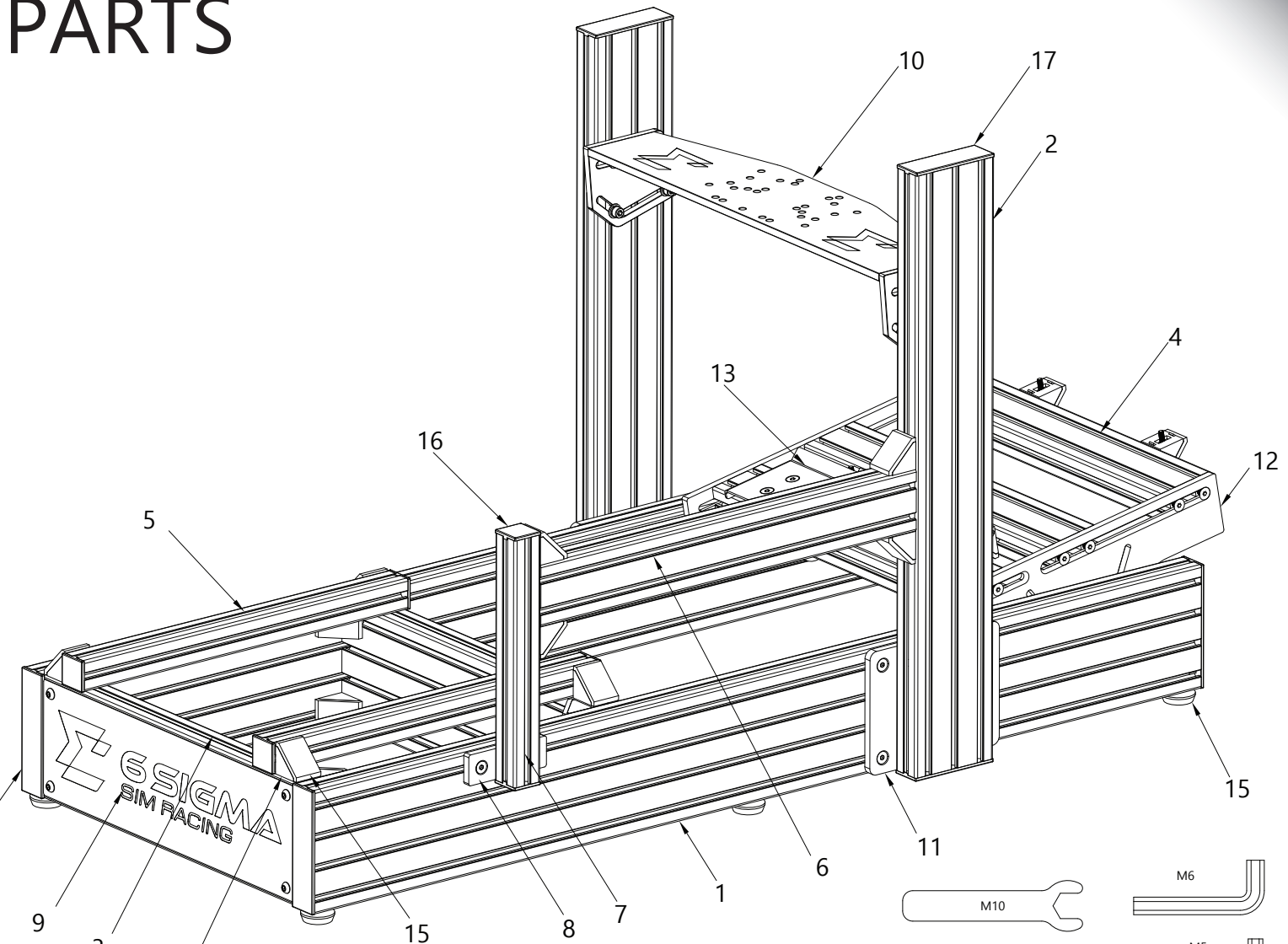


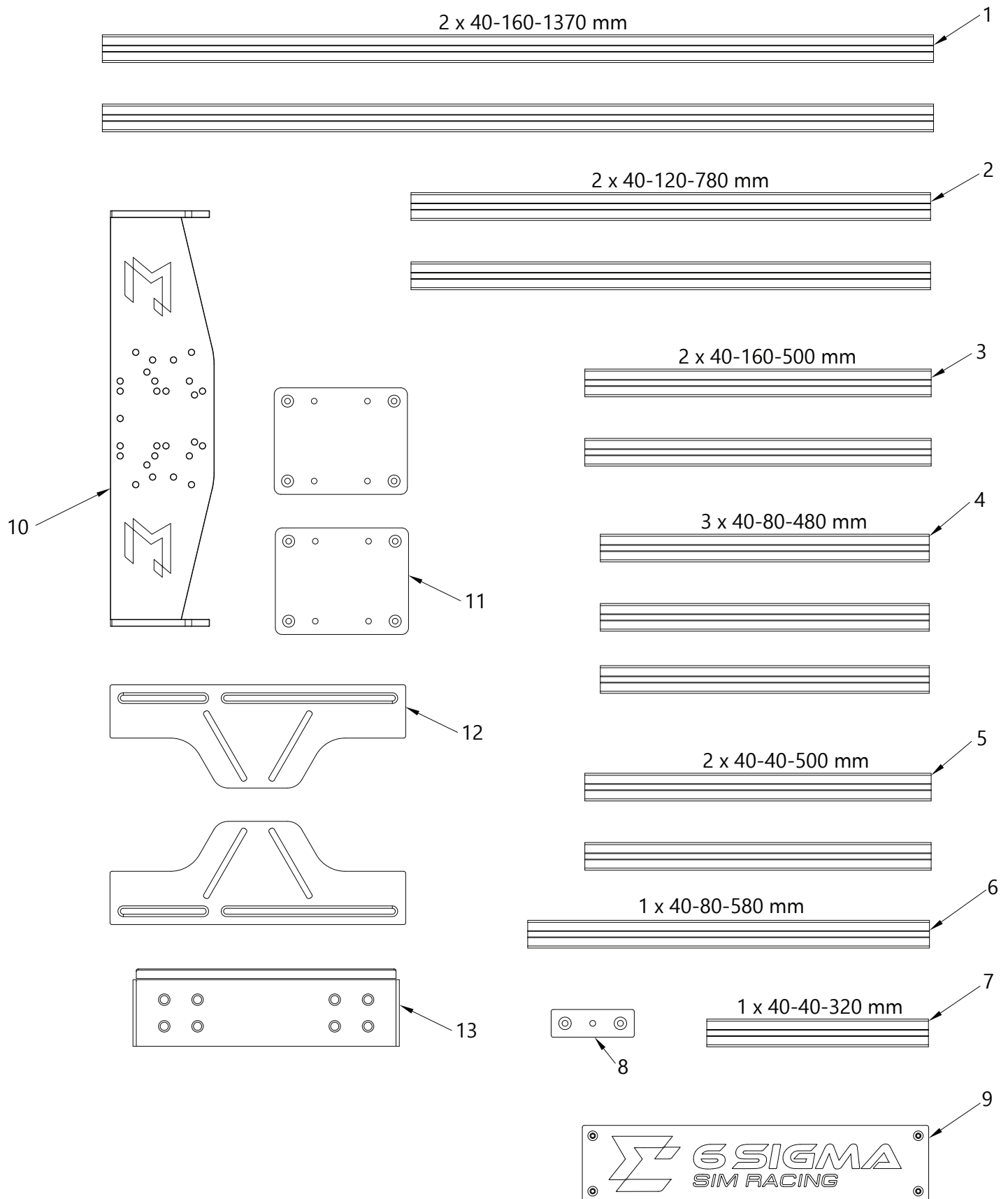
6S-160

Assembly Documentation



PARTS





NOTES

Safety First

Be mindful of any sharp edges. Use safety goggles whenever removing tabs from angle brackets.



Protect From Scratches

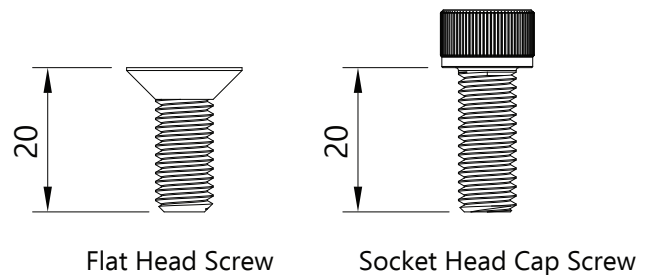
Hard surfaces can damage the surfaces of the aluminum extrusions.

Use a towel or blanket when assembling on hard surfaces to protect the finishes.

How to measure screws

Flat head screws are measured based on their overall length.

Socket head cap screws are measured based on the length under the head of the screw.



Metric Conversions

25.4 mm = 1"

16 mm = 5/8"

20 mm = 25/32"

400 mm = 15 3/4"

420 mm = 16 1/2"

500 mm = 19 11/16"

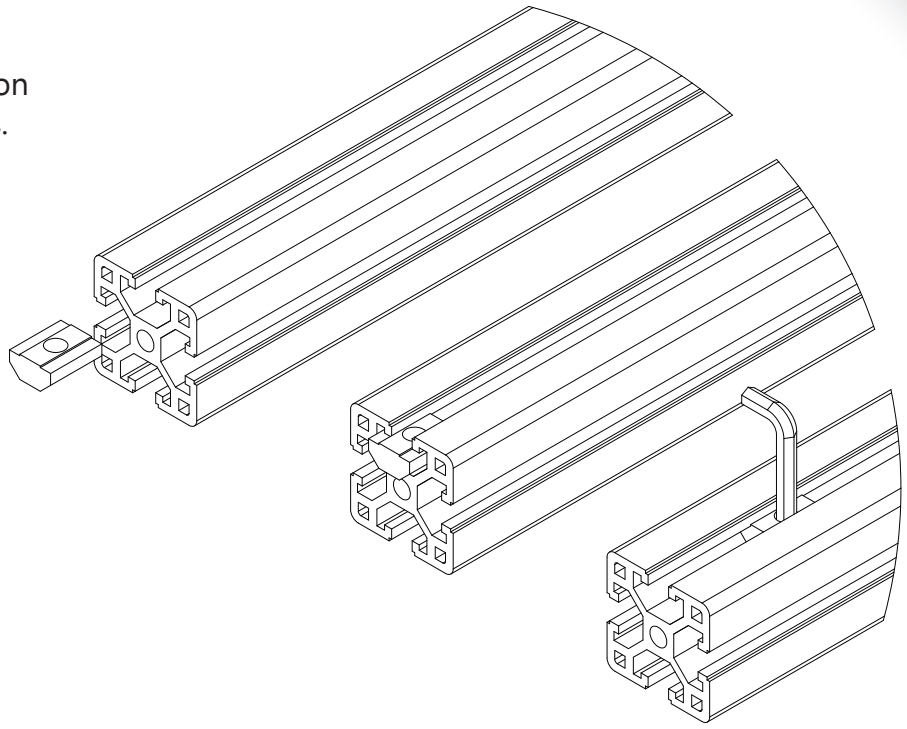
580 mm = 22 13/16"

750 mm = 29 17/32"

1200 mm = 47 1/4"

T-Nut Installation

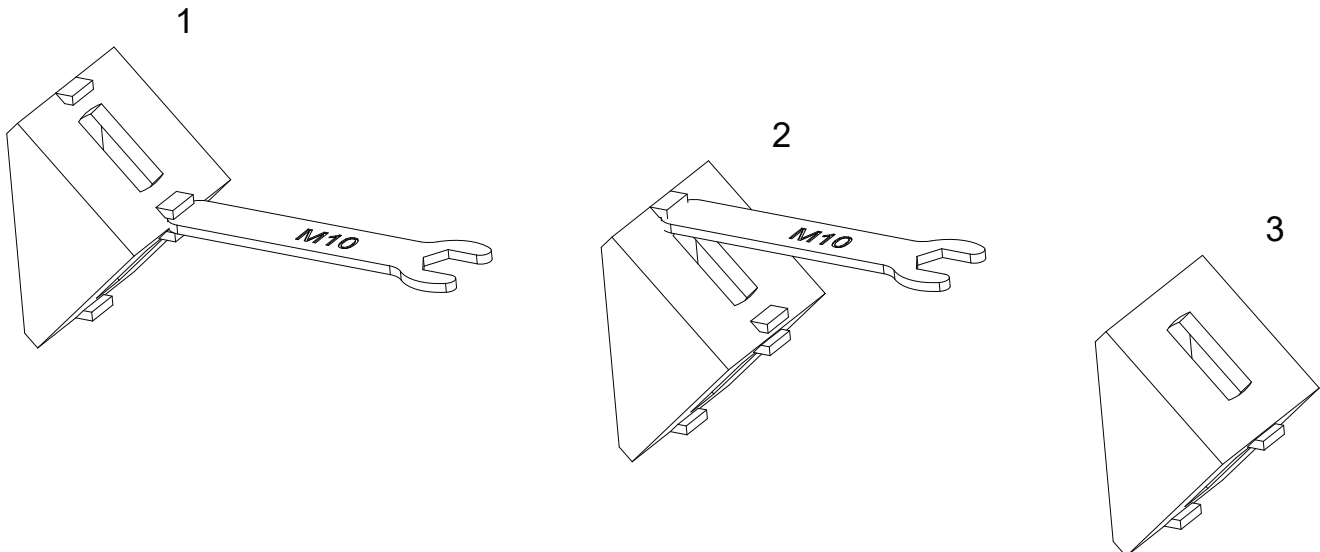
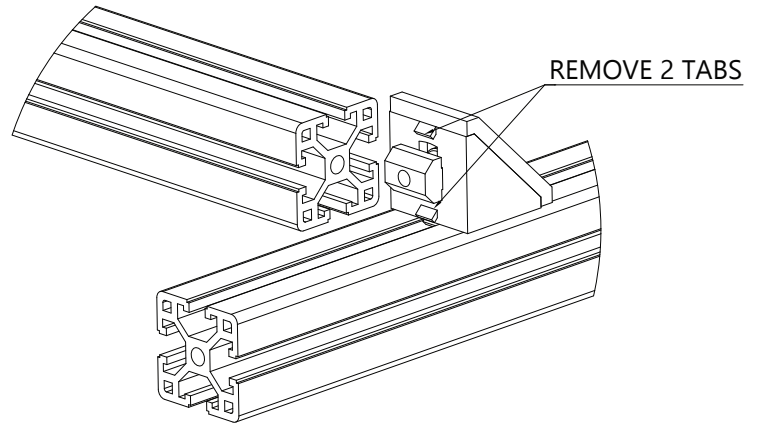
Be mindful of the order of installation and plan out the insertion of T-nuts.



Alignment Tab Removal

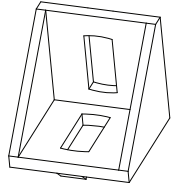
Tabs on brackets may need to be removed if they interfere with the installation of an extrusion as shown to the right.

2 - tabs need to be removed from 4 brackets



STEP 1

20-40x40 ANGLE



40-M8 T-NUT



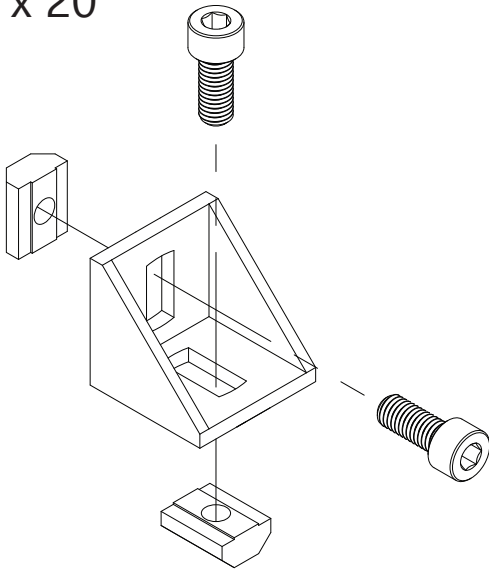
40-M8x16



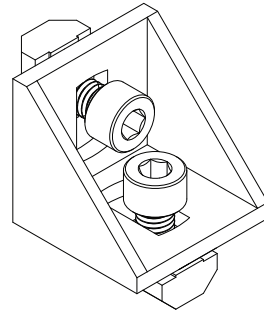
NOTE:

Leave screws loose enough to slide the T-Nuts into the aluminum extrusion profiles.

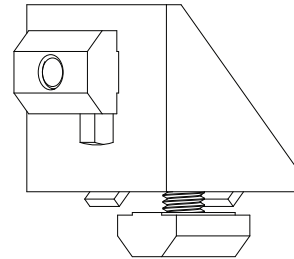
x 20



x 12

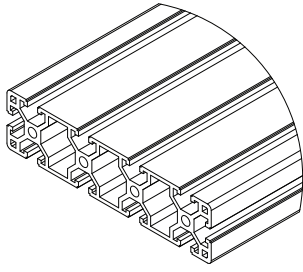


x 4 - TABS REMOVED

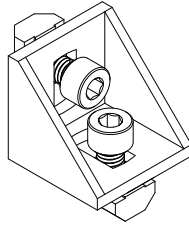


STEP 2

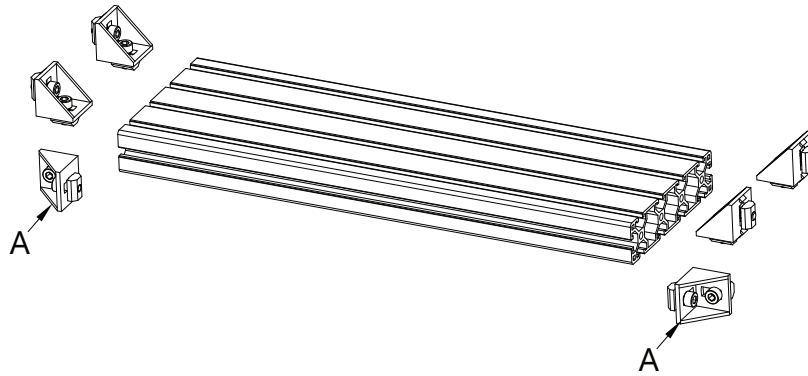
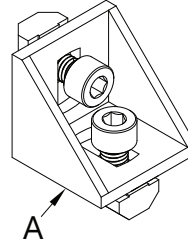
2-40x160x500



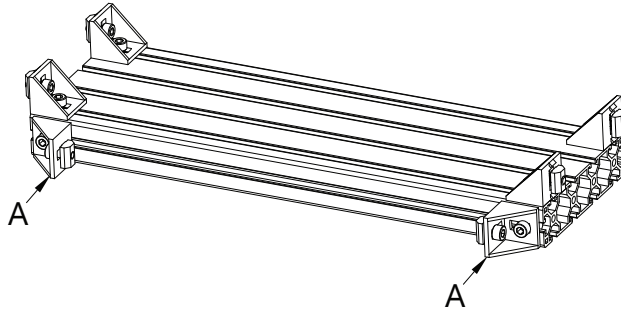
x 12



x 4 - TABS REMOVED

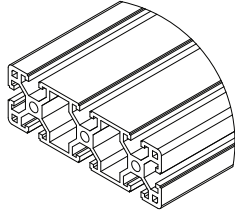


x 2

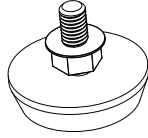


STEP 3

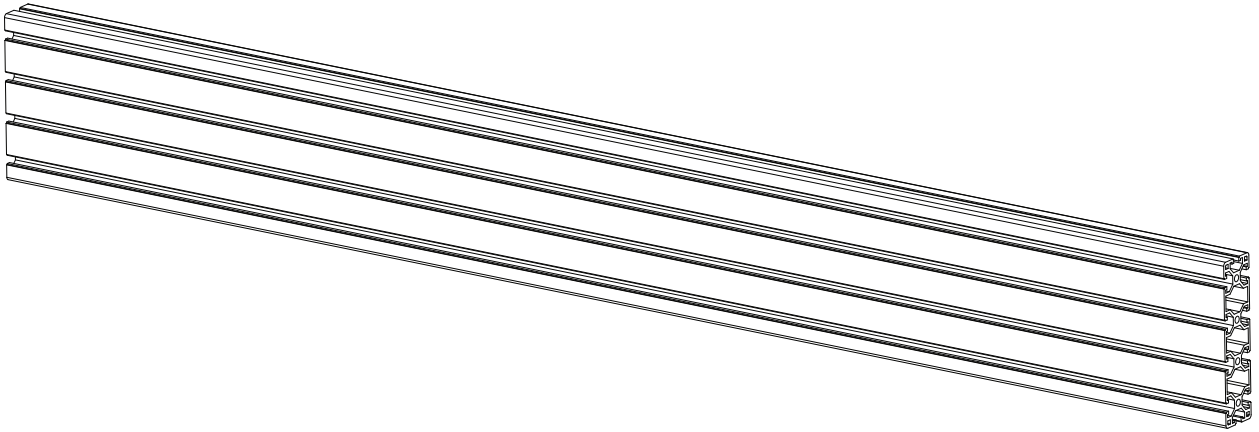
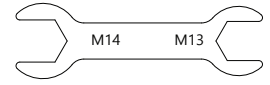
2-40x160x1370



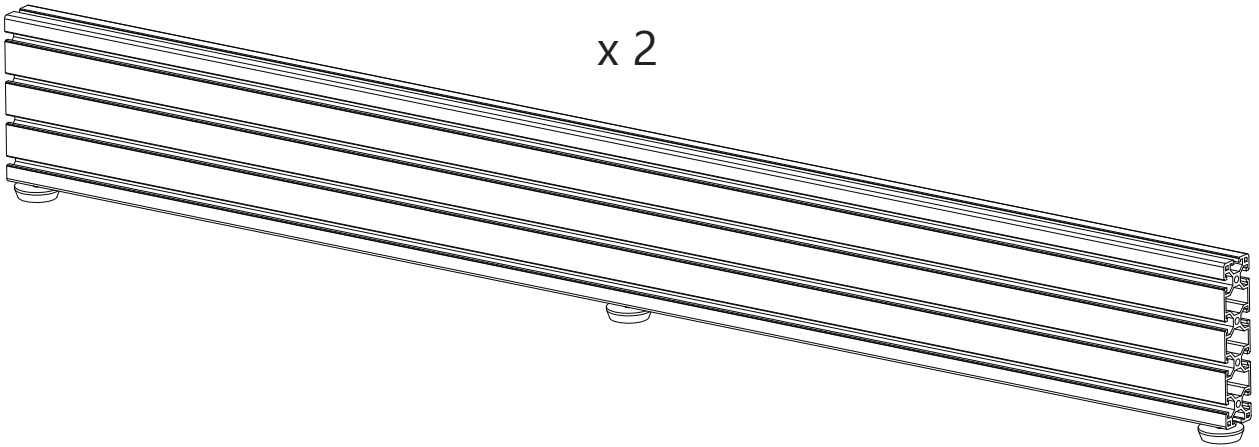
6-FOOT PAD



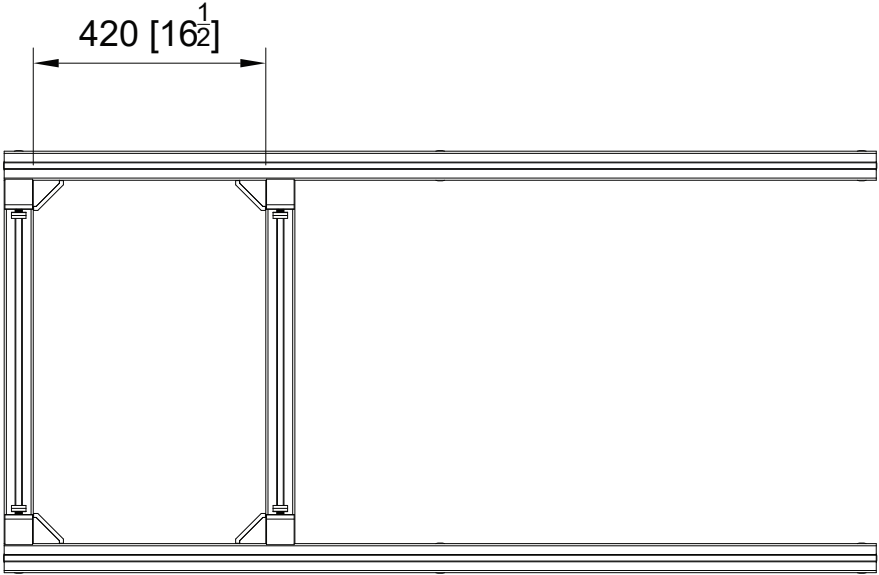
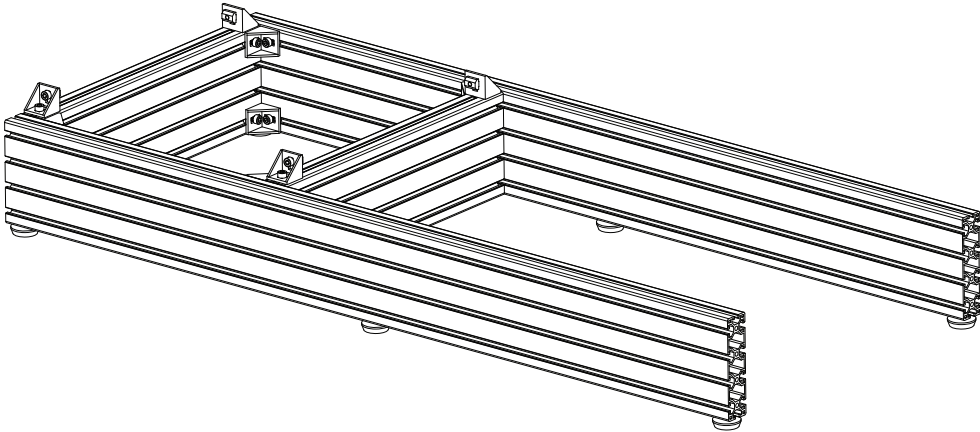
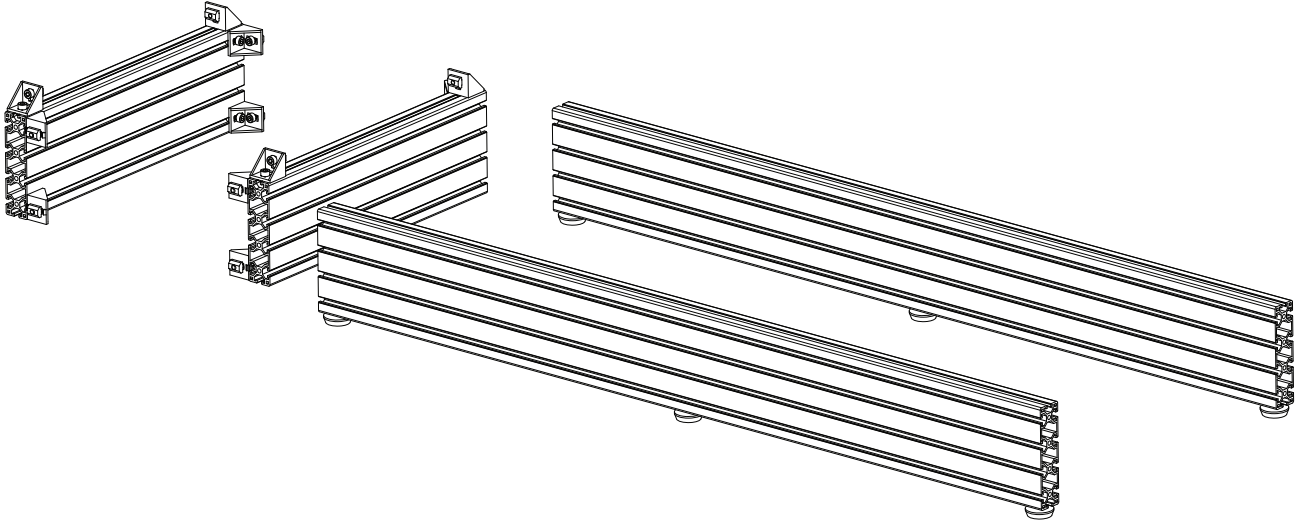
6-M8 T-NUT



x 2

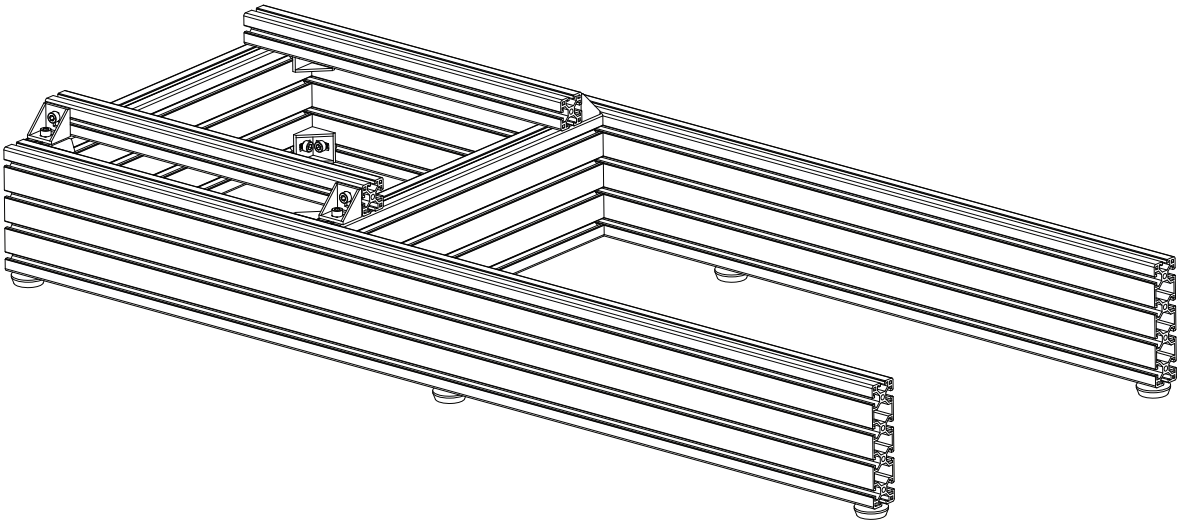
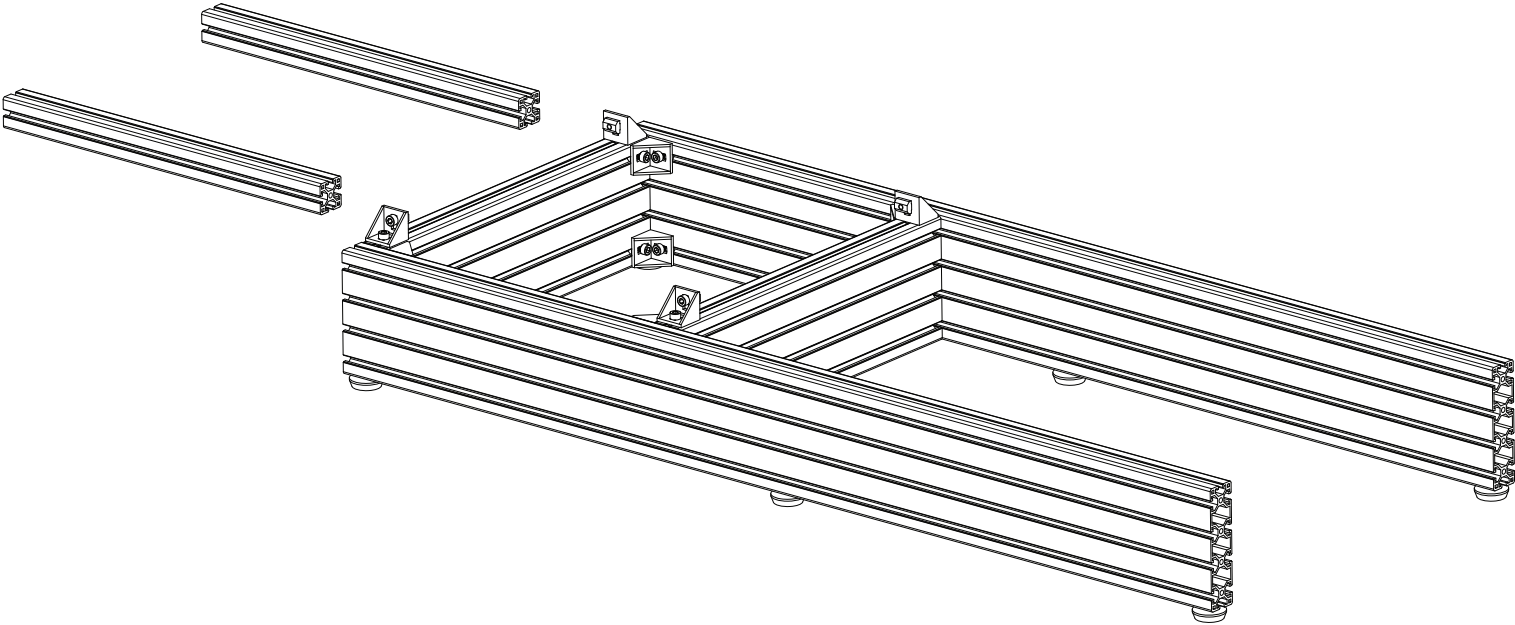
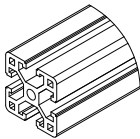


STEP 4

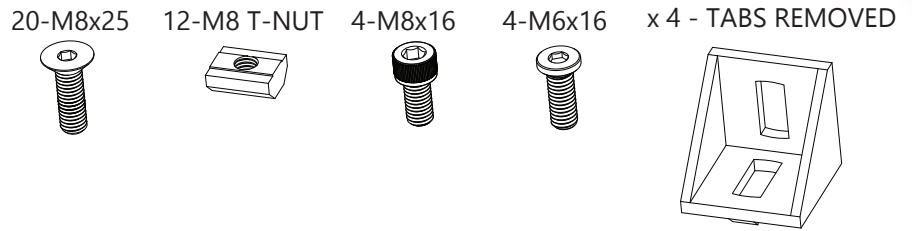


STEP 5

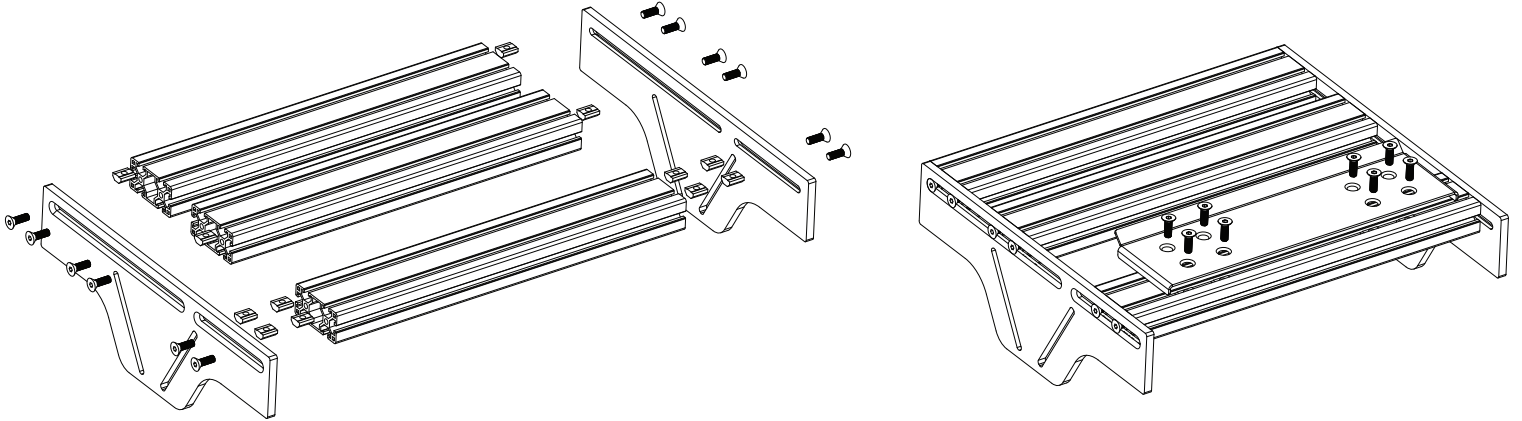
2-40x40x500



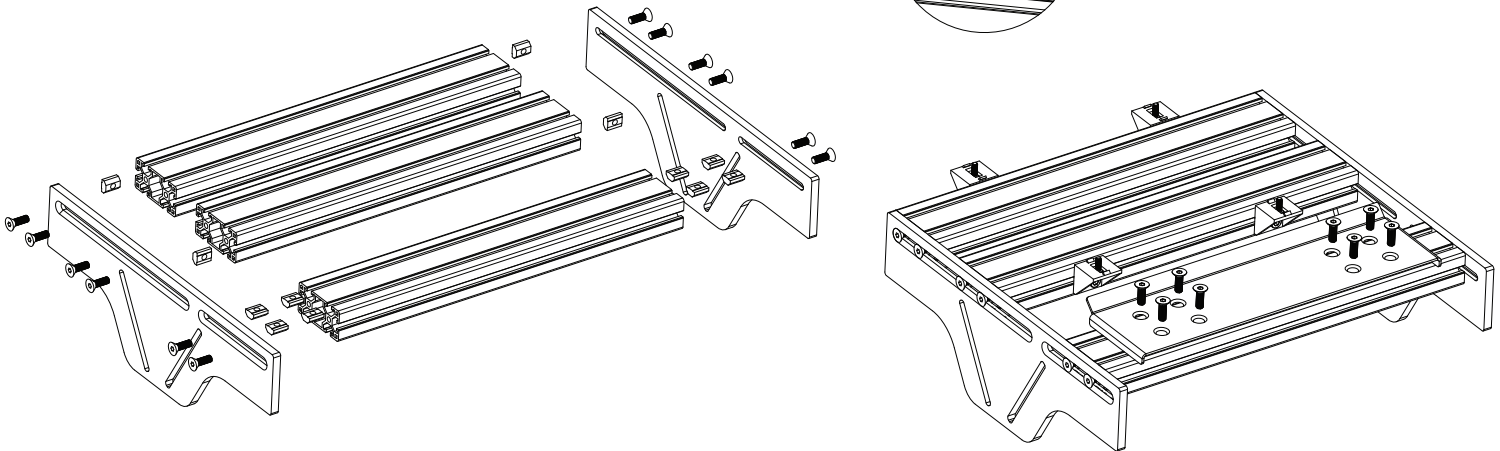
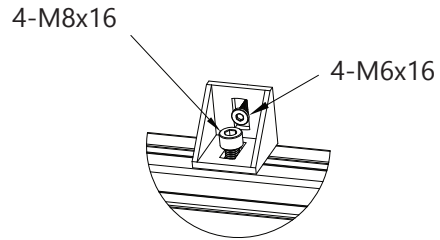
STEP 6



FANATEC SIMAGIC



THRUSTMASTER LOGITECH

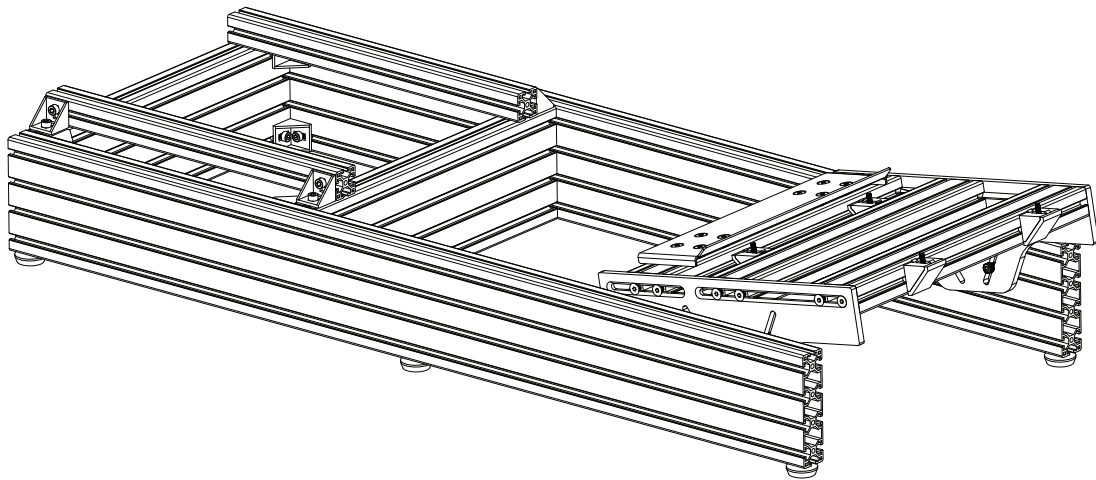
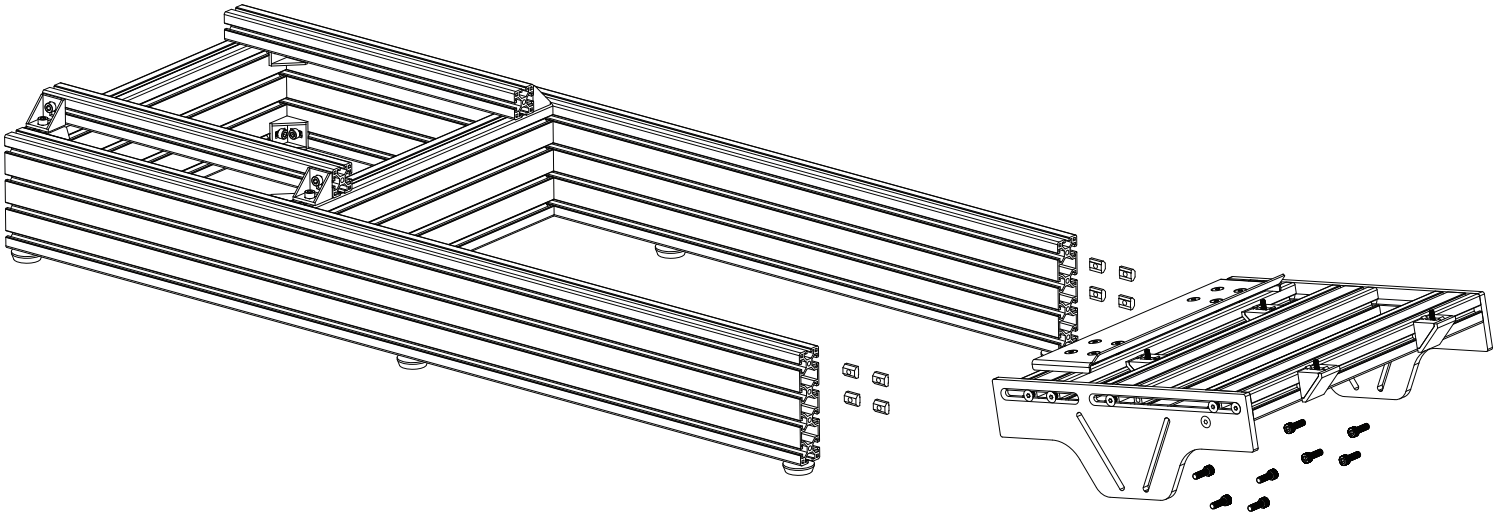


STEP 7

8-M8x25

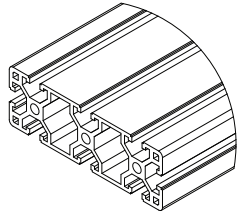


8-M8 T-NUT



STEP 8

2-40x120x780



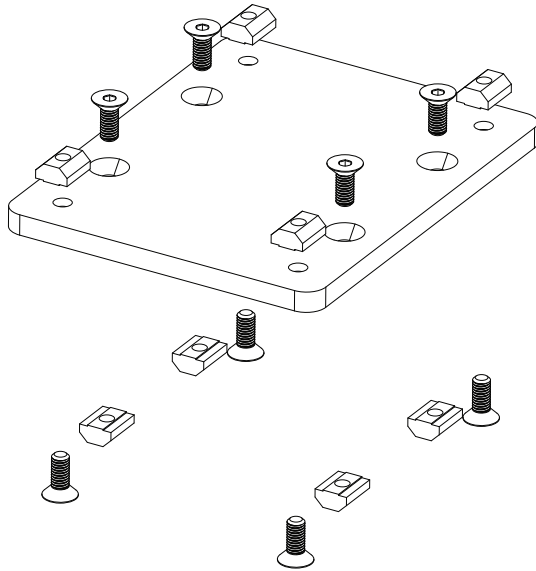
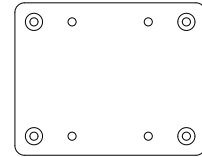
16-M8 T-NUT



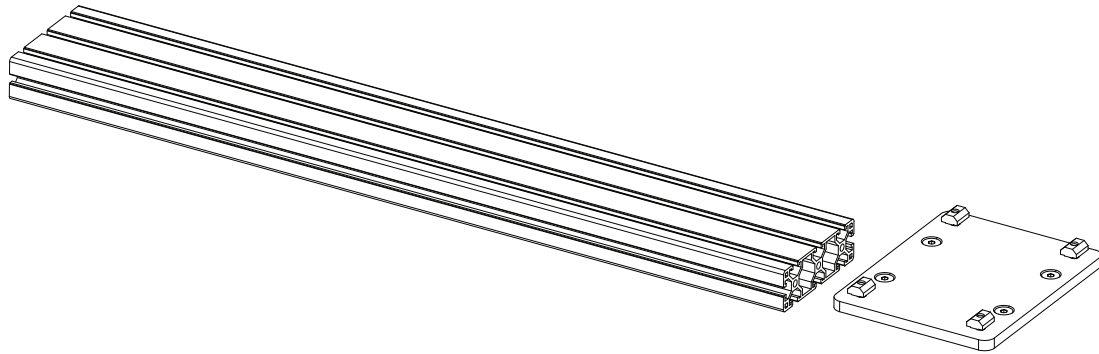
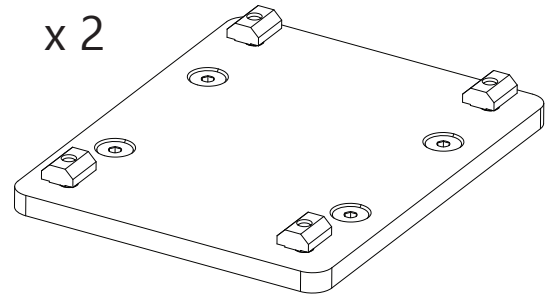
16-M8x20



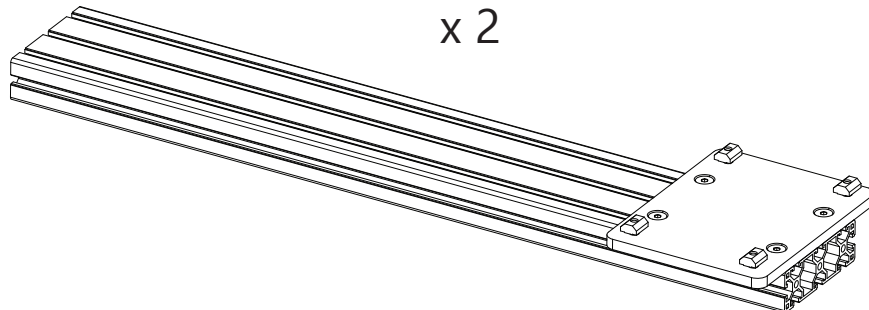
2-MOUNTING PLATE



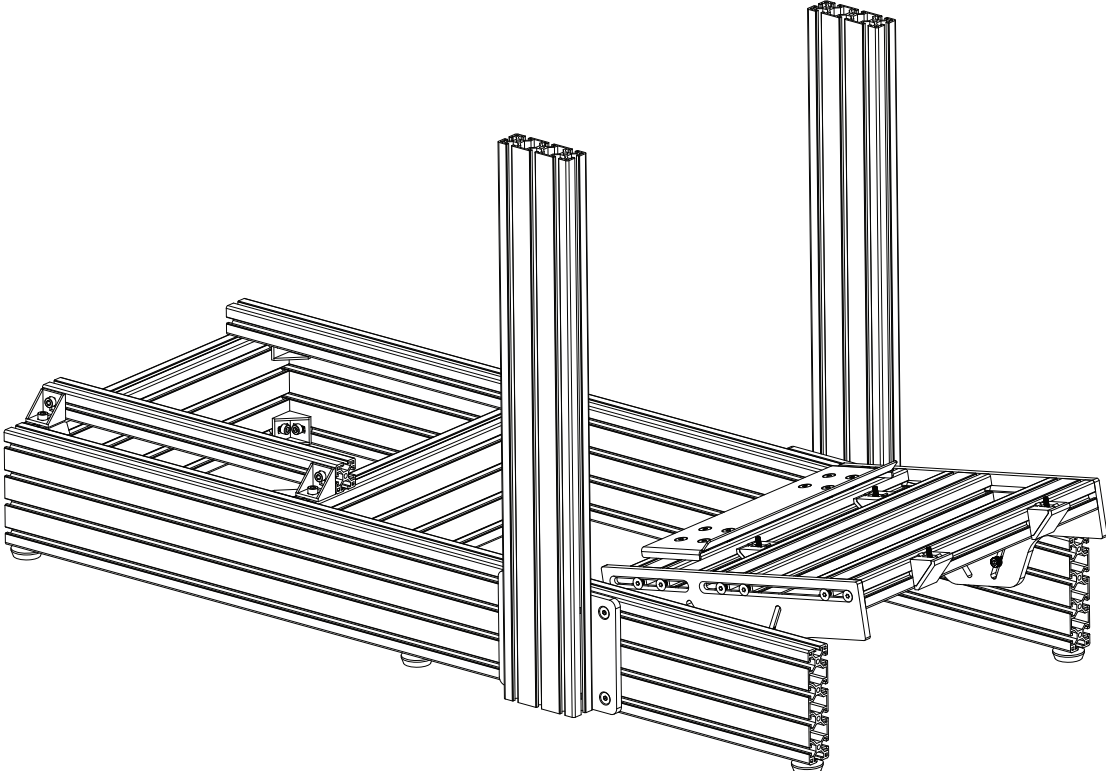
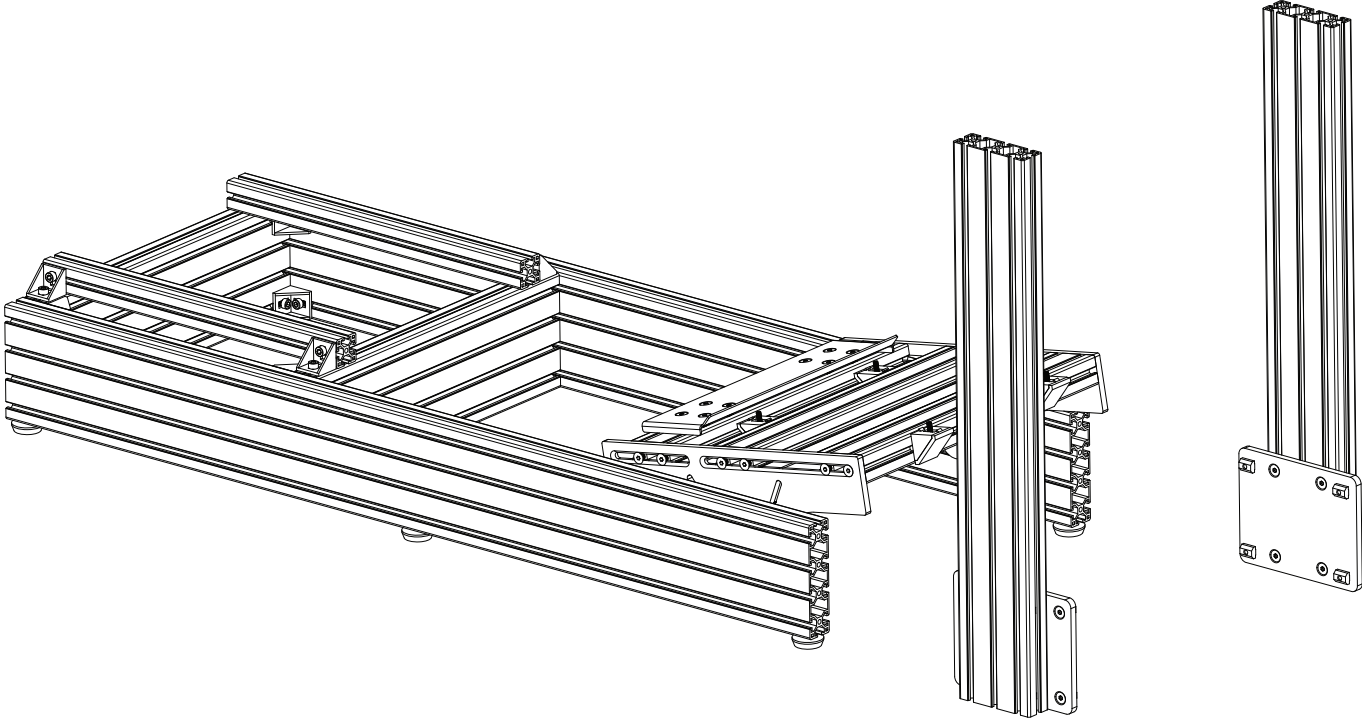
x 2



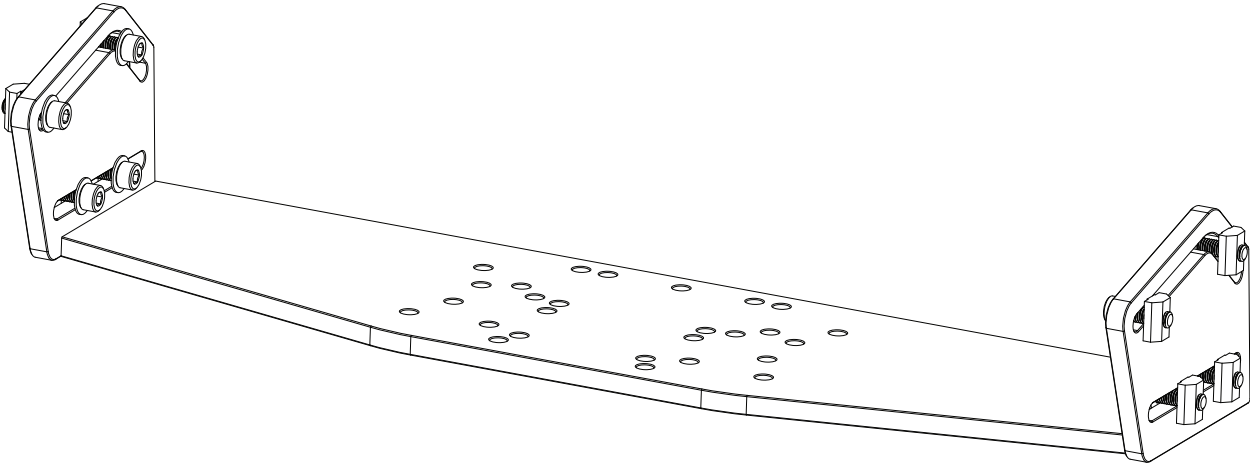
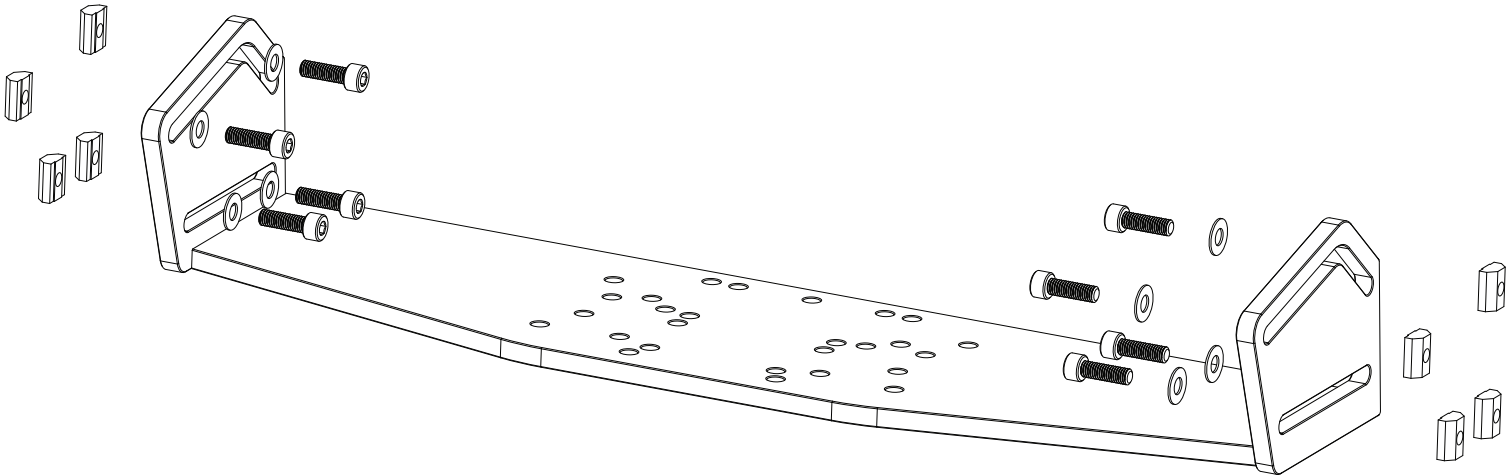
x 2



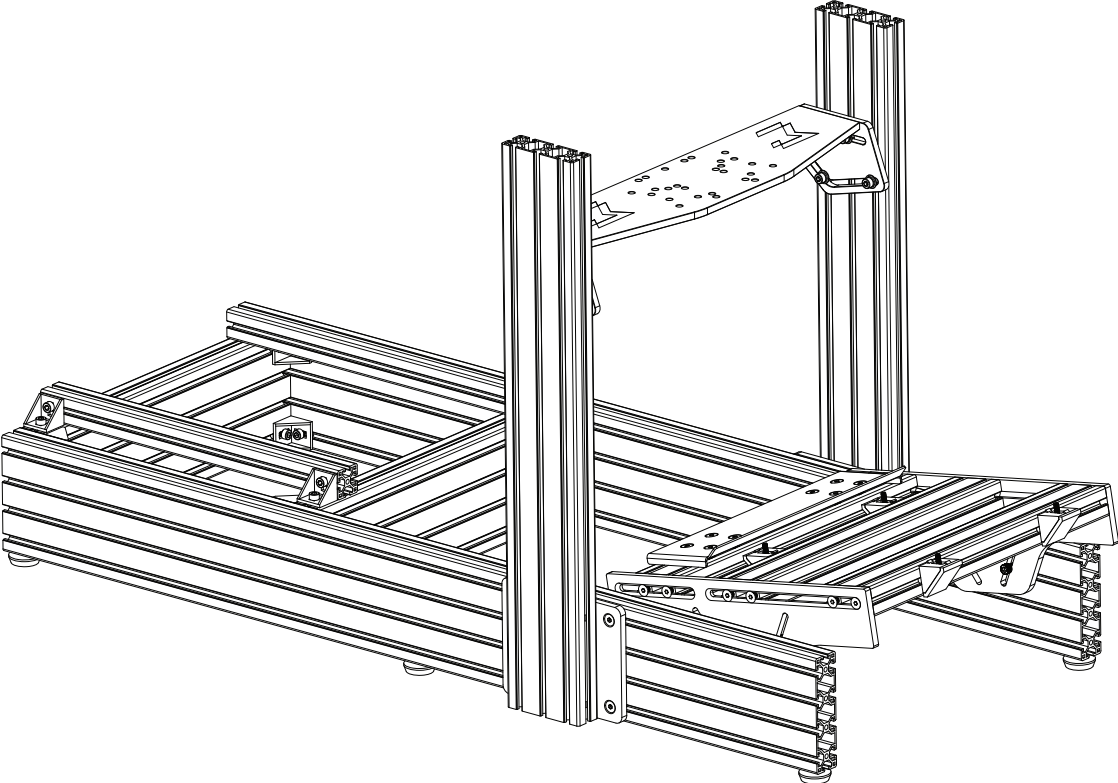
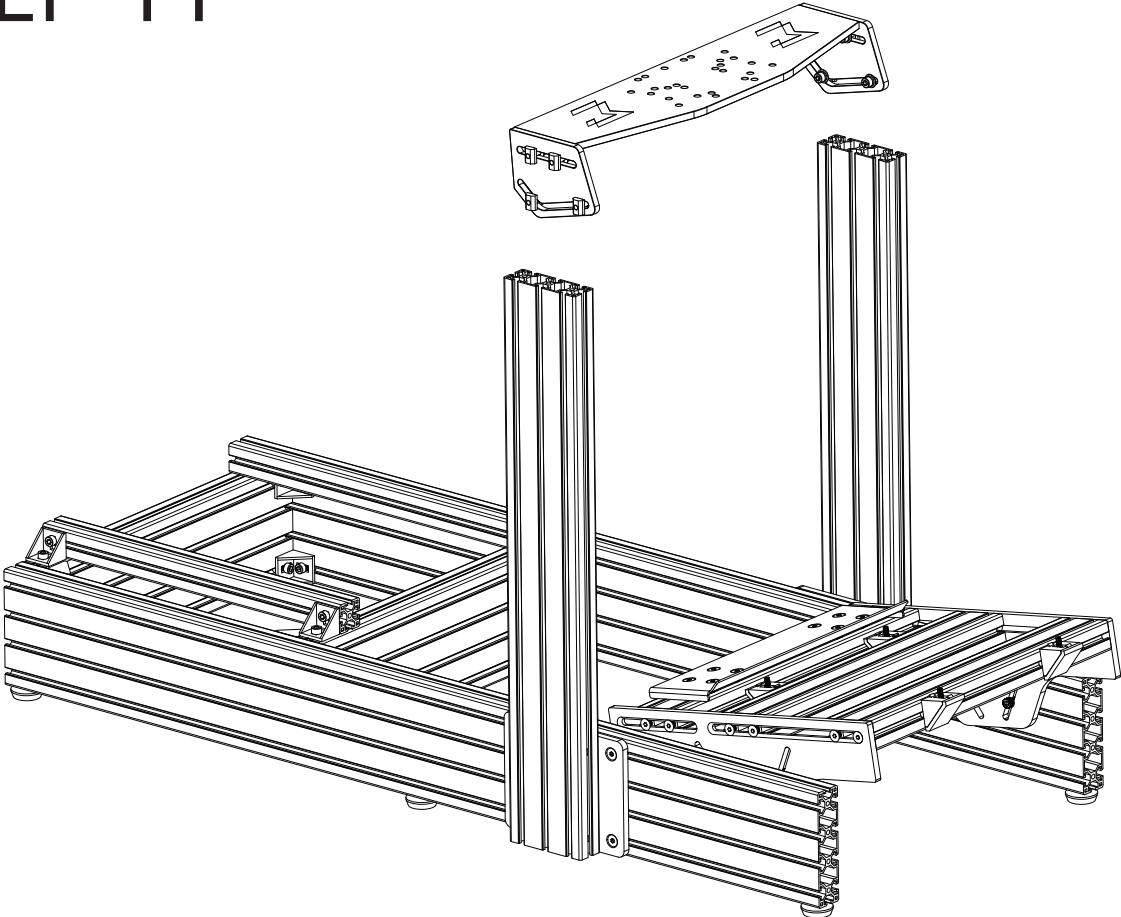
STEP 9



STEP 10

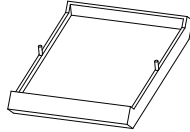


STEP 11

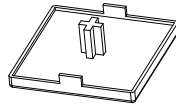


STEP 12

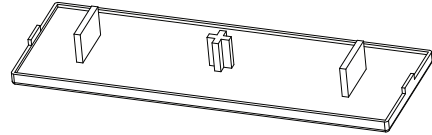
16-ANGLE CAP



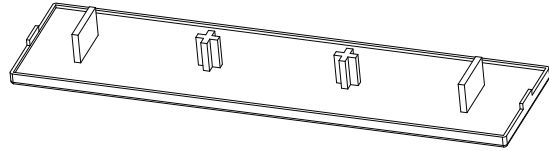
4-40x40 CAP



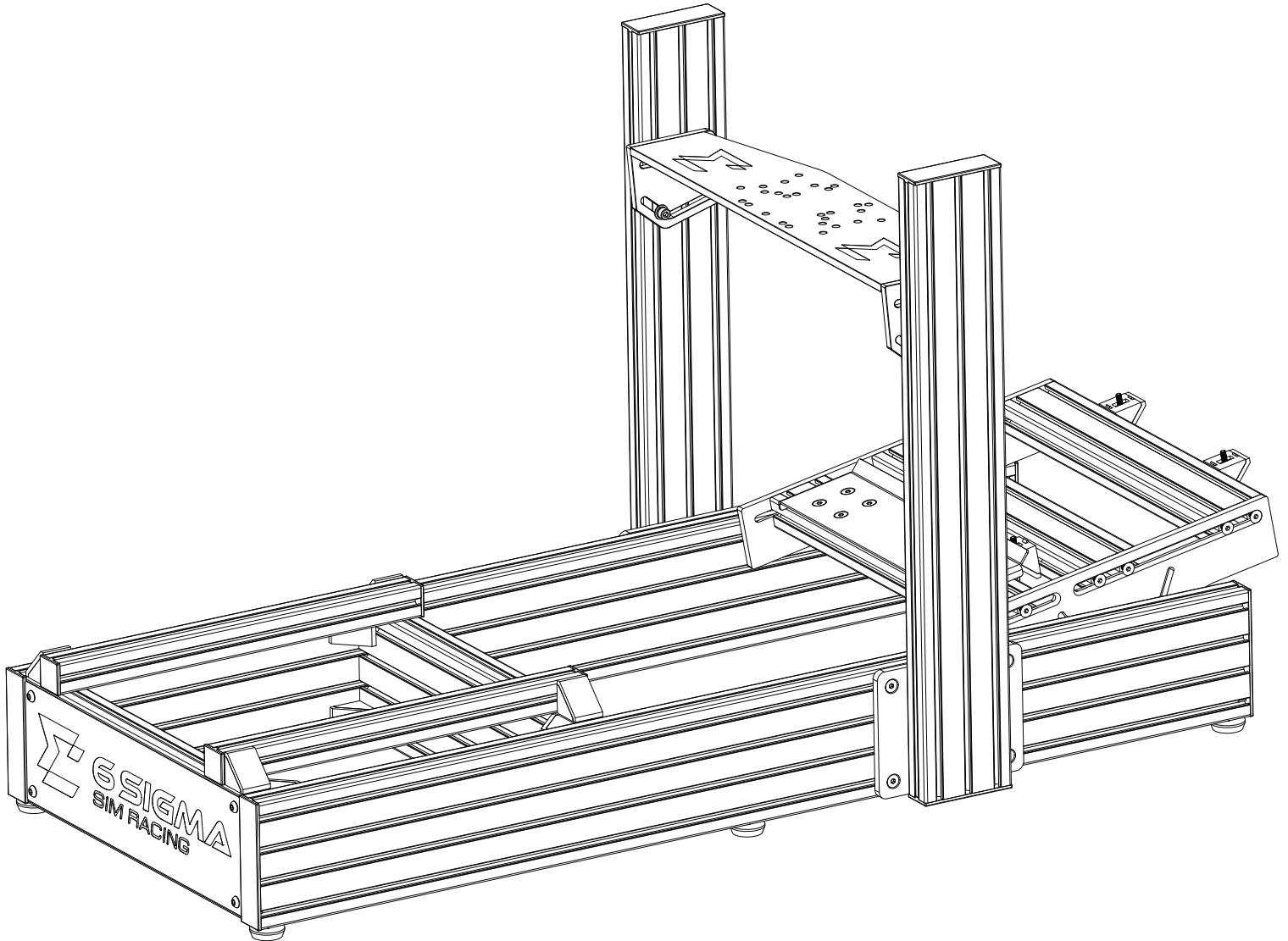
4-40x120 CAP



4-40x160 CAP

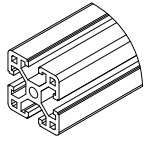


1-LABEL PLATE

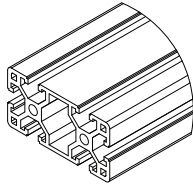


SHIFTER MOUNT KIT

1-40x40x320



1-40x80x580



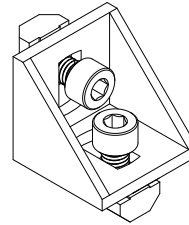
3-M8 T-NUT



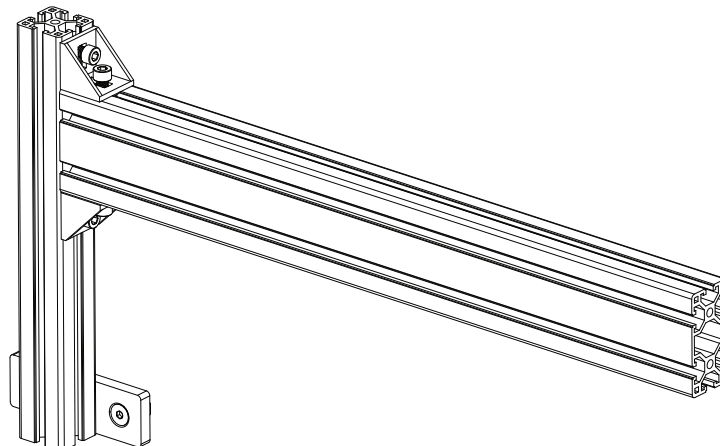
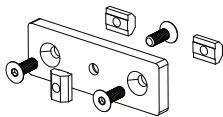
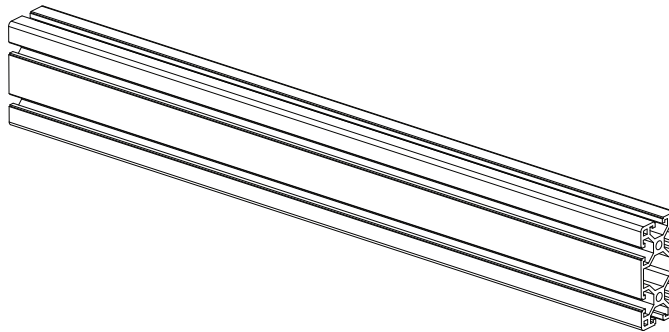
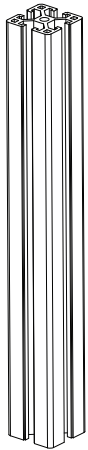
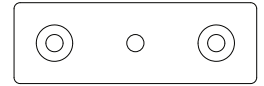
3-M8x20



x 2



1-MOUNTING PLATE



x 2

4-ANGLE CAP

2-40x40 CAP

