

Table of Contents

Marshall Excelsior Product Line	2-24
Fisher Product Line	25-31
Squibb Taylor Product Line	32-33
Blackmer Product Line	34-41
Corken Product Line	42-45
Motor Product Lines	46
Liqua-Tech Product Line	47-58
Red Seal Measurement Product Line	59
Liquid Controls Product Line	60-61
Parafour Product Line	62
Hose Product Lines	63-65
Hannay Reels Product Line	66-67
Manchester Tank Product Line	68-69
Trinity Containers Product Line	70
Polyethylene Pipe & Fittings	71-72
Chicago Fittings Product Line	73
Ball Valves	74
Steel Pipe & Fittings	75-79
Copper Tubing & Brass Fittings	80-82
Mr. Heater Product Line	83
Empire Comfort Product Line	84
Gasola Product Line	85
Decals	86-87
Safety Equipment	88-89
IMPCO Product Line	90
Lumin Filters Product Line	91
Algas Vaporizers	92
Miscellaneous Parts & Equipment	93-95
New Product Spotlight	96-97
References	98-100
Part Number Page Finder	101-108
Glossary	109-113

Marshall Excelsior Product Line

Marshall Excelsior Full Line of Domestic Regulators

Key Features:

25 Year Recommended Replacement Life

"Peel-N-Stick" Leak Check Label with Serial # for Your Records

Vent Guard on Two-Stage Regulators to help prevent freeze ups caused by external water

New Compact Regulators with 3/4" outlets for big performance



Integral Two-Stage Regulators

Item ID	Description	BTU/H	List
MEGR-1632-JFF-VG	F. POL X 3/4" FNPT W/ VENT GUARD	900,000	\$98.30
MEGR-1632-JFFXB	F. POL X 3/4" FNPT - VENTS OVER TAPS	900,000	\$98.30
MEGR-1632-CFF	1/4" FNPT X 3/4" FNPT	950,000	\$111.62
MEGR-1232-HFF	F. POL X 3/4" FNPT	625,000	\$84.52
MEGR-1232-HBF	F. POL X 1/2" FNPT - COMPACT	450,000	\$77.90
MEGR-1232-BBF	1/4" FNPT X 1/2" FNPT - COMPACT	450,000	\$70.46

new



The MEGR-1632-JFF-VG pictured above features a vent guard on the first stage vent. This allows the regulator to be mounted vertically without leaving the small first stage vent exposed.

First Stage Regulators

Item ID	Description	BTU/H	List
MEGR-1622H-JGJ	F. POL X 3/4" FNPT	2,750,000	\$79.62
MEGR-1122H-AAJ	1/4" FNPT X 1/2" FNPT - COMPACT	1,000,000	\$56.94
MEGR-1222H-BGJ	F. POL X 3/4" FNPT - COMPACT	1,700,000	\$68.04

new



MEGR-1222H-BGJ

Second Stage Regulators

Item ID	Description	BTU/H	List
MEGR-1622-DFE	3/4" FNPT X 3/4" FNPT	1,300,000	\$68.20
MEGR-1642-DFE	3/4" FNPT X 3/4" FNPT - SIDE OUTLET	900,000	\$77.50
MEGR-1652-DFE	3/4" FNPT X 3/4" FNPT - 90 DEGREE ANGLE	1,000,000	\$73.06
MEGR-1622-BCF	1/2" FNPT X 1/2" FNPT	710,000	\$72.76
MEGR-1622E-DCH	3/4" FNPT X 3/4" FNPT - 2 PSI OUTLET	1,400,000	\$87.66
MEGR-1222-DFE	3/4" FNPT X 3/4" FNPT - COMPACT	800,000	\$60.12
MEGR-1252-DFE	3/4" FNPT X 3/4" FNPT - 90 DEGREE ANGLE - COMPACT	700,000	\$62.00

new

new



MEGR-1252-DFE

Automatic Changeover Regulators

These regulators help prevent gas outages by automatically switching to a reserve cylinder. When the regulator is pulling from a reserve cylinder, some BTU capacity is lost. See below.

Item ID	Description	BTU/H (Reserve)	List
MEGR-253	COMPACT - 1/4" INV. FLARE (2) X 3/8" FNPT	225,000 (150,000)	\$69.54
MEGR-253H	COMPACT - 1/4" INV. FLARE (2) X 3/8" FNPT	350,000 (200,000)	\$74.02
MEGR-175CS61622-BCF	FULL SIZE - 1/4" INV. FLARE (2) X 1/2" FNPT	650,000 (570,000)	\$285.44



MEGR-253 ME2132 - Adapter



ME2131 - Plug



MEGR-175CS61622-BCF



Marshall Excelsior Product Line

Compact Integral Two Stage Regulators

Item ID	Description	BTU/H	List
MEGR-291	1/4" FNPT X 3/8" FNPT	175,000	\$36.83
MEGR-298	1/4" FNPT X 3/8" FNPT - 90° VENT	175,000	\$36.83



Low Pressure & High Pressure Single Stage Regulators

The MEGR-230 is approved for use in small portable applications & outdoor cooking appliances. The MEGR-350-20 is a single stage, high pressure adjustable regulator.

Item ID	Description	List
MEGR-230	LOW PRESSURE - 1/4" FNPT X 3/8" FNPT - 140,000 BTU	\$13.22
MEGR-350-20	HIGH PRESSURE - 1/4" FNPT IN/OUT - ADJUSTABLE 0-20 PSI	\$16.88



High Pressure Adjustable Regulators

The MEGR-6120 series is a high pressure regulator used in a variety of applications for vapor or liquid service.

Item ID	Inlet/Outlet	Outlet Pressure	Liquid Capacity	BTU/H	List
MEGR-6120-30	1/4" FNPT	1-30 PSI*	3-5 GPH	2,500,000	\$41.62



*Also available:
1-60 PSI
1-100 PSI

First Stage / High Pressure Industrial Regulators

The MEGR-1627 Series is ideal for jurisdictional systems, grain dryers, direct fire vaporizers or other high capacity service applications. These regulators can be used with the MEGR-CS & MEGR-S series or on final stage service.

Item ID	Inlet/Outlet	Orifice	Outlet Pressure	BTU/H	List
MEGR-1627/497	1" FNPT	1/2"	15-40 PSI	36,000,000	\$494.00
MEGR-1627/5810	3/4" FNPT	3/8"	5-20 PSI	11,700,000	\$494.00
MEGR-1627/6210	3/4" FNPT	1/2"	5-20 PSI	12,400,000	\$494.00
MEGR-1627/7710	1" FNPT	1/2"	5-20 PSI	25,100,000	\$494.00
MEGR-1630-104/78	2" FNPT	1/2"	8-20 PSI	47,000,000	\$1,306.32



Second Stage / Low Pressure Industrial Regulators

Ideal for schools, bakeries, and other large capacity installations.

Item ID	Inlet/Outlet	Orifice	Outlet Pressure	BTU/H	List
MEGR-CS1200IR6EC1	3/4" FNPT	1/2"	6-14" W.C.	2,100,000	\$590.70
MEGR-CS1200IR6EC3	1" FNPT	1/2"	6-14" W.C.	2,500,000	\$590.70
MEGR-CS1200IR6EC6	1-1/4" FNPT	1/2"	6-14" W.C.	3,100,000	\$590.70
MEGR-1HSRL-BFC	3/4" FNPT	3/8"	6-14" W.C.	2,000,000	\$186.00
MEGR-1HSRL-CFC	1" FNPT	3/8"	6-14" W.C.	2,500,000	\$186.00
MEGR-S1202G-BNC	1-1/2" FNPT	1"	9-18" W.C.	14,700,000	\$1,261.76
MEGR-S1202G-CNC	2" FNPT	1"	9-18" W.C.	30,000,000	\$1,587.96



Marshall Excelsior Product Line

High Pressure Adjustable Regulators

Item ID	Inlet/Outlet	Outlet Pressure	BTU/H	List
MEGR-164/222*	1/2" FNPT	0-120 PSI	9,145,000	\$195.56
MEGR-164-6/222*	3/4" FNPT	35-100 PSI	11,890,000	\$195.56



*Alternate outlet pressure spring ranges available.

Copper Pigtails & Hogtails

Available in various lengths and ends. Call us for any configuration not listed.

Item ID	Connection	Tube OD	POL Nipple Size	Length	List
ME1662-30	MPOL X MPOL	1/4"	LONG	30"	\$14.88
ME1662-36	MPOL X MPOL	1/4"	LONG	36"	\$15.70
ME1662-48	MPOL X MPOL	1/4"	LONG	48"	\$17.88
ME1680-12	MPOL X MPOL	3/8"	SHORT	12"	\$12.20
ME1680-36	MPOL X MPOL	3/8"	SHORT	36"	\$23.64
ME1680-48	MPOL X MPOL	3/8"	SHORT	48"	\$28.50
ME1680L-20	MPOL X MPOL	3/8"	LONG	20"	\$19.46
ME1680L-36	MPOL X MPOL	3/8"	LONG	36"	\$24.20
ME1680L-48	MPOL X MPOL	3/8"	LONG	48"	\$32.80
ME1665-20	MPOL X 1/4" M. INV. FLARE	1/4"	SHORT	20"	\$9.60
ME1665-36	MPOL X 1/4" M. INV. FLARE	1/4"	SHORT	36"	\$9.96
ME1669-18	MPOL X 1/4" MNPT	1/4"	SHORT	18"	\$11.70
ME1669-36	MPOL X 1/4" MNPT	1/4"	SHORT	36"	\$15.46
ME1679-18	MPOL X 1/4" MNPT	1/4"	LONG	18"	\$11.52
ME1679-20	MPOL X 1/4" MNPT	1/4"	LONG	20"	\$12.48
ME1679-30	MPOL X 1/4" MNPT	1/4"	LONG	30"	\$14.82
ME1679-48	MPOL X 1/4" MNPT	1/4"	LONG	48"	\$18.40
ME1689-20	MPOL X 1/4" MNPT	3/8"	SHORT	20"	\$19.24
ME1689-36	MPOL X 1/4" MNPT	3/8"	SHORT	36"	\$23.90



Tee Check & Tee Block Manifolds

ME1702A & MEP456A Tee Checks are designed to connect two cylinders. It allows each tank to be replaced without disrupting the flow of propane to the appliance. The MEP456A incorporates a blue knob for manual change over.

The ME1702B is designed to connect multiple cylinders to automatic changeover regulators. It has no check and is primarily used for systems requiring more than one cylinder to be in operation at a time.

Item ID	Description	List
ME1702A	TEE CHECK - FPOL X FPOL X MPOL - 1-1/8" NUT	\$36.94
MEP456A	TEE CHECK - 1/4" F. INV. FLARE (2) X 1/4" MNPT - MANUAL THROWOVER	\$40.88
ME1702B	TEE BLOCK - FPOL X FPOL X MPOL - 1-1/8" NUT	\$22.00

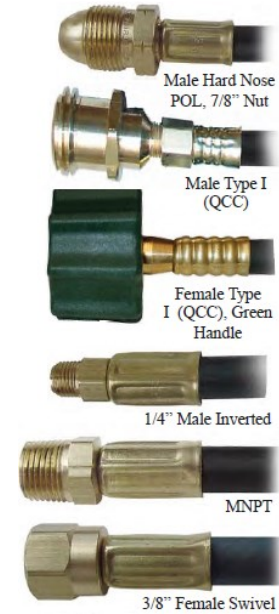


Marshall Excelsior Product Line

Rubber Pigtails / Thermoplastic Hose

Available in various combinations and lengths! These hoses have a 350 PSI working pressure.

Item ID	Description	Length	List
MER403-18	MPOL X 1/4" M. INV. FLARE	18"	\$15.30
MER406AR-36	MALE SOFTNOSE POL W/BRASS HW X 1/4" MP	36"	\$31.98
MER409-36	MPOL X MPOL	36"	\$29.76
MER413-24	3/8" F. FLARE SWIVEL X 3/8" F. FLARE SWIVEL	24"	\$17.20
MER425-15	FEMALE QCC X 1/4" M. INV. FLARE	15"	\$35.98
MER426-20	FEMALE QCC X 1/4" MNPT	20"	\$36.78
MER428-120	FEMALE QCC X MALE QCC	120"	\$90.86
MER610-48	3/8" MNPT X 3/8" F. FLARE SWIVEL	48"	\$25.04



Single Piece POL Adaptors

Item ID	Description	List
ME284	FPOL X 1/4" MNPT	\$8.86
ME285	FPOL X 3/8" MNPT	\$11.78
ME286	FPOL X 1/2" MNPT	\$12.98
ME287	FPOL X 3/4" MNPT	\$13.60
ME301	FPOL X 1/4" FNPT	\$19.84
ME302	FPOL X 3/8" FNPT	\$17.82
ME303	FPOL X 1/2" FNPT	\$18.10
ME304	FPOL X 3/4" FNPT	\$33.84
ME305	FPOL X FPOL	\$18.96
ME351	MPOL X 1/4" FNPT	\$4.30
ME352	MPOL X 3/8" MNPT	\$6.96
ME353	MPOL X 3/8" M. FL	\$4.72
ME354	MPOL X 1/2" MNPT	\$5.40
ME355	MPOL X 1/2" M. FL	\$5.44
ME356	MPOL X 5/8" M. FL	\$6.50
ME357	MPOL X 1/2" FNPT	\$15.20



Male POL x 1/4" MNPT

Item ID	Description	List
ME1629	MALE SOFTNOSE POL X 1/4" MNPT	\$7.82
ME1654	M. S.N. POL X 1/4" MNPT - PLASTIC HW	\$11.74
ME1654AH	M. S.N. POL X 1/4" MNPT - HEX HW	\$13.96
ME1654AR	M. S.N. POL X 1/4" MNPT - ROUND HW	\$13.96
ME318	M. HARD NOSE POL X 1/4" MPT- 7/8" NUT	\$5.62
ME319	M. H.N. POL X 1/4" MNPT - 1-1/8" NUT	\$7.30
ME322	M. HN.POL X 1/4" MNPT - 7/8" NUT - 3-1/2"	\$15.88



Male POL x Hose Barb

Item ID	Description	List
ME1656	M. S.N. POL X 1/4" HOSE - PLASTIC HW	\$8.18
ME1656AH	M. S.N. POL X 1/4" HB - BRASS HEX HW	\$12.64
ME1656AR	M.S.N.POL X 1/4" HB - BRASS ROUND HW	\$12.64
ME5930	M. HARD NOSE POL X 1/4" HB - 7/8" NUT	\$6.96
ME5931-78N	M. HARD NOSE POL X 3/8" HB - 7/8" NUT	\$7.48



POL Plugs

Item ID	Description	List
ME1691	Brass	\$4.80
ME970P	Plastic	\$0.80



Marshall Excelsior Product Line

Hose End Valves - Low Emission

Designed to be used at the end of a hose on a bobtail or dispensing system.

Item ID	Description	List
ME800G-6	3/4" FNPT X 1-3/4" F. ACME - FLUTED HANDLE	\$645.00
ME800G	1" FNPT X 1-3/4" F. ACME - FLUTED HANDLE	\$645.00
ME800	1" FNPT X 1-3/4" F. ACME - GRENADE HANDLE	\$645.00
ME800GC	1" FNPT X 1-3/4" F. ACME - COMPOSITE HANDLE	\$620.96
ME800EXT	1" FNPT X 1-3/4" F. ACME - EXTENSION HANDLE	\$790.54

Minimizes product loss!



The ME800G series' new and improved handle features a sleeker design for easier operation.

Hose End Swivel Connectors

Allows the hose to turn 360°, making for an easier connection.

Item ID	Description	List
ME850SS6	3/4" FNPT X 3/4" MNPT	\$315.00
ME850SS8	1" FNPT X 1" MNPT	\$355.54



Hose End Valve Lock

Prevents theft or accidental discharge.

Item ID	Description	List
ME540	LOCK FOR ME800 SERIES	\$89.86



Hose End Fill Check Adapters

These valves are intended to be attached to delivery truck hose outlets. These adapters will prevent further loss if the tank's filler valve fails to close.

Item ID	Description	List
ME570	1-3/4" F. ACME X 1-3/4" M. ACME	\$52.62
ME571*	1-3/4" F. ACME X 1-3/4" M. ACME - SWIVEL	\$89.76
ME571H*	1-3/4" F. ACME X 1-3/4" M. ACME - SWIVEL - HIGH FLOW	\$158.62
ME572	1-3/4" F. ACME X 1-3/4" M. ACME - SWIVEL	\$54.20
ME574	1-3/4" F. ACME X 1-3/4" M. ACME - SWIVEL - W/ 10%	\$109.26
ME574EXT	1-3/4" F. ACME X 1-3/4" M. ACME - SWIVEL - W/ 10% - EXT.	\$176.56

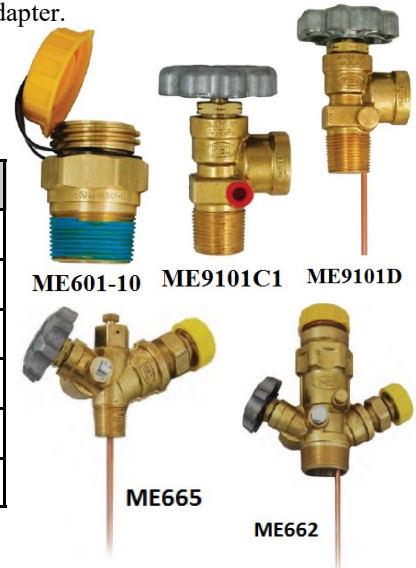


*ME571 & ME571H allows the hose end valve to swivel while connected to the filler hose end adapter.

ASME Tank Filler Valves & Service Valves

ME9101 series is intended for vapor withdrawal service or as fuel line shut-off valves.

Item ID	Description	List
ME60110	FILLER VALVE - 1-1/4" MNPT X 1-3/4" M. ACME	\$52.66
ME9101C1*	SERVICE VALVE - 3/4" MNPT X FPOL	\$36.68
ME9101D-11.7*	SERVICE VALVE - 3/4" MNPT X FPOL - 11.7" DT W/ 10%	\$47.34
ME663	VAPOR RETURN VALVE - 3/4" MNPT X 1-1/4" M. ACME	\$49.00
ME665SC	MULTIVALVE - 3/4" MP X FPOL W/ VAPOR RETURN & 10%	\$105.88
ME662SC	MULTIVALVE - 1-1/2" MP X FPOL W/ FILLER, V/R, & 10%	\$358.46



*ASME & DOT Service

Marshall Excelsior Product Line

ASME Tank Relief Valves

Item ID	Description	Caps	List
MEVS-433AM	3/4" MNPT - 250 PSI	MEPS-433	\$58.96
MEVS-443AM	1" MNPT - 250 PSI	MEPS-443	\$67.28
MEVS-453AM	1-1/4" MNPT - 250 PSI	MEPS-453	\$97.88



Fully Internal Relief Valves

Item ID	Description	List
MEVS-445AM	1" MNPT - 250 PSI	\$54.16
MEVS-445AT	1" MNPT - 375 PSI	\$54.16



All reliefs above also available in 275 PSI.

Float Gauges

These gauges are intended for use as top mount gauges. Please call us for any gauge not listed as it may be a special order item.

Tank Diameter	Typically Fits	1" MNPT	1-1/4" MNPT	Junior 4-Bolt	List
24"	120 GALLONS	MES-HA130A	MES-TA130A	MES-JA124I	\$69.38
30"	250 OR 320 GAL.	MES-HA160A	MES-TA160A	MES-JA154I	\$69.38
37"	500 GALLONS	MES-HA194A	MES-TA194A	MES-JA192I	\$70.86
41"	1000 GALLONS	MES-HA210A	MES-TA210A	MES-JA206I	\$70.86



Tank	3/4" MNPT	1" MNPT	1-1/4" MNPT	Junior 4-Bolt	List
FORKLIFT	G12854	—	MES-FG2284-001U	MES-FG1284-001U	\$59.84
420#	—	MES-HA254JP	—	—	\$71.36

For Senior Gauges, please refer to page 32. For replacement dials, please refer to page 33.

Service Valves & Multivalves for Up to 420# Cylinders

Item ID	Description	Tank Type	List
MES-3250CLG-11.6	3/4" X FPOL W/ 375 PSI RELIEF, 10%, & 11.6" DT	UP TO 100#	\$49.14
MES-2030BCSC-11.6	3/4" X FPOL W/ FILLER, 375 PSI RELIEF, 10%, & 11.6" DT	UP TO 200#	\$90.30
MES-3250CLM-11.6	3/4" MNPT X M.CGA555 W/ 375 PSI RELIEF, 10%, & 44" DT	100# LIQUID	\$142.10
MES-2035ATSC-11.7	1" MNPT X FPOL W/ FILLER, 375 PSI RELIEF, 10%, & 11.7" DT	420# DOT	\$185.92
MES-2035ATSC-250-11.7	1" MNPT X FPOL W/ FILLER, 250 PSI RELIEF, 10%, & 11.7" DT	420# ASME	\$185.92
MES-3250BC-312	3/4" MNPT X FPOL W/ 312 PSI RELIEF	ASME/RV	\$69.54



MES-3250CLG-11.6



MES-2030BCSC-11.6



MES-3250CLM-11.6

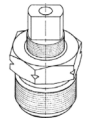


MES-2035AT



MES-3250BC-312

Service Valve Bonnets



Item ID	Fits	List
MES-3329-13LH-KIT (Fits on Sherwood & MEC valves)	MES-3329, 3250BC, 2030BC, & 1427 SERIES	\$10.94
MES-32508LH (Fits on Sherwood & MEC)	MES-3250 & MES-2035A	\$16.90
ME9101BRK (MEC)	ME9101	\$18.00

Marshall Excelsior Product Line

Liquid Withdrawal Tank Valves

These valves are permanently mounted to the tank for liquid withdrawal.

Item ID	Description	List
ME460	3/4" MNPT X 1-5/8" UNF MALE	\$43.66
ME462	1-1/4" MNPT X 1-5/8" UNF MALE	\$65.22



Liquid Transfer Adapters

Designed to be used between the ME449 Liquid Withdrawal Valve & the Liquid Tank Valve.

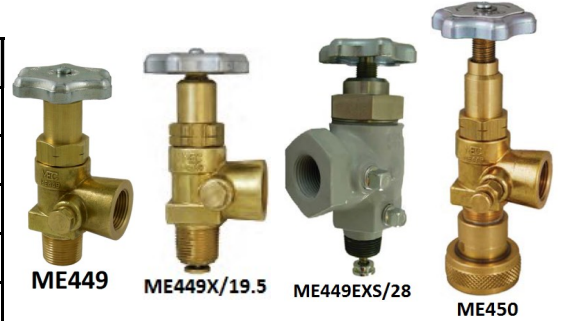
Item ID	Description	List
ME453	3/4" NGT X 3/4" FNPT	\$20.06
ME455	3/4" NGT X 3/4" MNPT	\$28.42
ME458	1-5/8" UNF X 3/4" FNPT	\$27.82



Liquid Withdrawal Valves

ME450 has a stem that taps into the Filler Valve. The ME449EXS/28 and ME449X/19.5 goes directly into the tank and is equipped with an excess flow.

Item ID	Description	List
ME449	3/4" MNPT X 3/4" FNPT	\$86.78
ME449S	3/4" MNPT X 3/4" FNPT - DUCTILE IRON	\$161.32
ME449X/19.5	3/4" MNPT X 3/4" FNPT - 19.5 GPM - BRASS	\$115.98
ME449EXS/28	3/4" MNPT X 3/4" FNPT - 28 GPM - IRON	\$207.38
ME450	1-3/4" F. ACME X 3/4" FNPT W/ 10%	\$201.00



Multipurpose Filler Bypass Return

For dispensing applications, this valve is ideally suited as a high capacity combination filler valve and liquid bypass return line shut off. This valve reduces wear and tear on pump systems by having the bypass return to the vapor space of the storage tank.

Item ID	Description	List
ME673DEX-6SP	1-1/4" MNPT X 1-3/4" M. ACME W/ 3/4" FNPT BYPASS RETURN PORT 58 GPM EXCESS FLOW	\$426.12



Multipurpose Withdrawal Valve

This Liquid Service Valve is equipped with an excess flow rating of 58 GPM.

Item ID	Description	List
ME671D-8	1-1/4" MNPT X 1" FNPT	\$261.22



Internal Valves

Intended for use on bobtail trucks and storage tanks.

Item ID	Description	Closing Flow	List
ME990-10-55*	1-1/4" MNPT X 1-1/4" FNPT - VALVE ONLY	55 GPM	\$600.00
ME990M-10-55*	1-1/4" MNPT X 1-1/4" FNPT W/ MANUAL LATCH	55 GPM	\$694.40
ME990-16-260**	2" MNPT X 2" FNPT - VALVE ONLY	260 GPM	\$1,559.20
ME990A-16-260**	2" MNPT X 2" FNPT W/ PNEUMATIC ACTUATOR	260 GPM	\$2,003.26
ME990-24-500***	3" MNPT X 3" FNPT - VALVE ONLY	500 GPM	\$1,756.74
ME990A-24-500***	3" MNPT X 3" FNPT W/ PNEUMATIC ACTUATOR	500 GPM	\$2,207.98



*Available in 35, 55, & 85 GPM Closing Flows

**Available in 110, 160, & 260 GPM Closing Flows

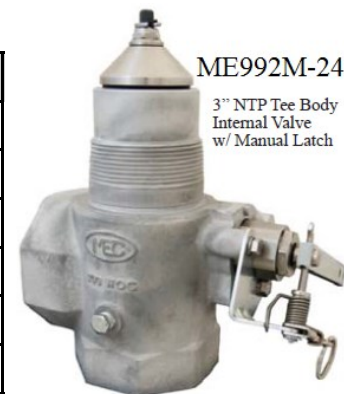
***Available in 175, 250, 300, 375, 400, 475, & 500 GPM Closing Flows

Marshall Excelsior Product Line

Tee Body Internal Valves

Intended for use on transport trucks and large storage tanks in directional or bi-directional flow applications.

Item ID	Description	Closing Flow	List
ME992-10-85*	1-1/4" MNPT X 1-1/4" FNPT - VALVE ONLY	85 GPM	\$643.20
ME992M-10-85*	1-1/4" MNPT X 1-1/4" FNPT W/ LATCH	85 GPM	\$764.26
ME992-16-260**	2" MNPT X 2" FNPT - VALVE ONLY	260 GPM	\$1,824.68
ME992M-16-260**	2" MNPT X 2" FNPT - MANUAL LATCH	260 GPM	\$2,085.80
ME992-24-475***	3" MNPT X 3" FNPT - VALVE ONLY	500 GPM	\$2,476.21
ME992M-24-475***	3" MNPT X 3" FNPT - MANUAL LATCH	500 GPM	\$2,625.62



Tee Body Internal Valves are available with a Pneumatic or Rotary Actuators.

*Available in 35, 55, & 85 GPM

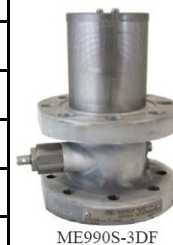
**Available in 110, 160, & 260 GPM closing flows.

***Available in 175, 250, 300, 375, 475, & 500 GPM closing flows.

Flanged Internal Valves

Intended for use on bobtail delivery trucks, transport trucks, and large storage tanks with 2" or 3" flanged connections in directional and bi-directional flow applications.

Item ID	Description	Closing Flow	List
ME990S-2F-16-260*	2" 300 LB. SINGLE FLANGE X 2" FNPT- VALVE ONLY	260 GPM	\$2,564.24
ME990SA-2F-16-260*	2" 300 LB. SINGLE FLANGE X 2" FP - PNEUMATIC	260 GPM	\$2,990.86
ME990-3F-400**	3" 300 LB. SINGLE FLANGE - VALVE ONLY	400 GPM	\$3,330.30
ME990S-3DF-500**	3" 300 LB. DOUBLE FLANGE - VALVE ONLY	500 GPM	\$4,212.28
ME990S-3DFM-500**	3" 300 LB. MODIFIED DOUBLE FLANGE - VALVE ONLY	500 GPM	\$4,212.28
ME990S-3F-24-500**	3" 300 LB. SINGLE FLANGE X 3" FNPT - VALVE ONLY	500 GPM	\$2,669.02



Flanged Internal Valves are available with Pneumatic or Rotary Actuators.

*Available in 110, 160, & 260 GPM closing flows.

**Available in 175, 250, 300, 375, 475, & 500 GPM closing flows.

4" Flanged Internal Valves

Intended for use on transport trucks and large storage tanks with 4" flanged connections.

Item ID	Description	Closing Flow	List
ME990-4F-500	4" SINGLE FLANGE - VALVE ONLY	500 GPM	\$4,465.48
ME990A-4F-500	4" SINGLE FLANGE - PNEUMATIC ACTUATOR	500 GPM	\$5,288.84
ME990AR-4F-500	4" SINGLE FLANGE - ROTARY ACTUATOR	500 GPM	\$5,265.00
ME990M-4F-500	4" SINGLE FLANGE - MANUAL LATCH	500 GPM	\$5,052.00



These internal valves are available in 375, 500, 650, 850, 1250, & 1500 GPM closing flows.

Marshall Excelsior Product Line

Internal Valve Actuators

These actuators are intended to be used at remote locations or directly operated off the air brake system in bobtail or transport applications.

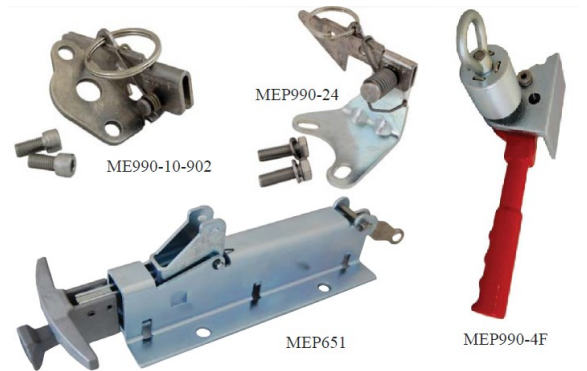
Item ID	Description	List
ME205	FITS 1-1/4" THREADED INTERNAL VALVES - AIRSTROKE	\$448.52
ME206	FITS 2" & 3" THREADED INTERNAL VALVES - #9 CHAMBER	\$459.82
ME207	FITS 3" DOUBLE FLANGE INTERNAL VALVES - #9 CHAMBER	\$609.00
ME207SF	FITS 3" SINGLE FLANGE INTERNAL VALVES - #9 CHAMBER	\$473.00
ME208SF	FITS 4" SINGLE FLANGE INTERNAL VALVES - #9 CHAMBER	\$914.50
ME225	FITS 1-1/4" THREADED INTERNAL VALVES - DIRECT DRIVE	\$515.26
ME226	FITS 2" & 3" THREADED INTERNAL VALVES - DIRECT DRIVE	\$559.04
ME227	FITS 3" DOUBLE FLANGE INTERNAL VALVES - DIRECT DRIVE	\$558.56
ME228	FITS 4" SINGLE FLANGE INTERNAL VALVES - DIRECT DRIVE	\$834.66



These actuators will work with MEC & Fisher brand internal valves.

Internal Valve Accessories

Item ID	Description	List
ME990-10-902	LATCH FOR 1-1/4" INTERNAL VALVES	\$115.76
MEP990-24	LATCH FOR 2 & 3" INTERNAL VALVES	\$155.86
MEP990-4F	LATCH FOR 4" INTERNAL VALVES	\$618.92
MEP650	OPEN/CLOSE RELEASE W/ 50' CABLE	\$447.76
MEP651	OPEN/CLOSE RELEASE ONLY	\$364.58



These accessories will work with Fisher and MEC internal valves.

Emergency Shutoff Valves

Designed to provide rapid and positive shutdown of gas lines should a down stream rupture or piping break occur.

Item ID	Description	List
ME980-6	3/4" FNPT - PNEUMATIC LATCH - 4-3/4" OAL	\$632.18
ME980-8	1" FNPT - PNEUMATIC LATCH - 4-3/4" OAL	\$632.18
ME980-10*	1-1/4" FNPT - PNEUMATIC LATCH - 5-3/8" OAL	\$953.80
ME980-16*	2" FNPT - PNEUMATIC LATCH - 6-7/8" OAL	\$1,976.80
ME980-24*	3" FNPT - PNEUMATIC LATCH - 9-5/8" OAL	\$2,712.98
ME983-16**	2" FNPT - RAILCAR EMERGENCY SHUTOFF	\$4,187.92



*Available in 300# Flanged Connections.

**Available in 156, 250, and 500 GPM closing flows. Please specify when ordering. All MEC ESV's are available with a Cable Latch if requested.

Marshall Excelsior Product Line

Swivel Joints

Item ID	Description	List
3131936	1-1/4" FNPT X 1-1/4" FNPT - 90°	\$475.00
3131946	2" FNPT X 2" FNPT - 90°	\$717.00



*ME829 not included.

Globe Valves & Angle Valves

Angle Valve	Globe Valve	Description	List
ME815-6	ME825-6	3/4" FNPT X 3/4" FNPT	\$176.28
ME815-8	ME825-8	1" FNPT X 1" FNPT	\$213.42
ME815-10	ME825-10	1-1/4" FNPT X 1-1/4" FNPT	\$379.04
ME815-12	ME825-12	1-1/2" FNPT X 1-1/2" FNPT	\$616.58
ME815-16	ME825-16	2" FNPT X 2" FNPT	\$534.26
ME815-24	ME825-24	3" FNPT X 3" FNPT	\$1,770.30



1-1/4" and larger Globe valves have a 35 degree seat as shown.

Accu-Max Float Gauges

Designed to measure liquid levels within horizontal DOT and stationary ASME tanks with fluid capacities over 2,300 gallons.

Item ID	Description	Tank Diameter	List
ME930-72	DOT - 4" GLOW/BLACK DIAL	72"	\$1,630.82
ME930C-72	DOT - 4" SILVER/BLACK DIAL	72"	\$1,630.82
ME940-108	ASME - 8" GLOW/BLACK DIAL	108"	\$1,731.16
ME940C-108	ASME - 8" GLOW/BLACK DIAL	108"	\$1,731.16



"Glow" Technology Standard Dial

ME930 DOT Series Classic Dial

Custom length tank configurations available upon request for 30" to 300" O.D. tank.

Float Gauge Mounting Flanges

Item ID	Description	List
ME931	2-1/2" MNPT X 1/2"-13 FEMALE	\$192.12
ME932	WELD X 1/2"-13 FEMALE	\$89.32



Trans-Max Series Float Gauges

Designed to replace rotary style gauges in tanks with fluid capacities greater than 2,300 gallons.

Item ID	Description	Tank Diameter	List
ME930WG-72	DOT - GLOW/BLACK DIAL	72"	\$2,650.62
ME930CWG-72	DOT - SILVER/BLACK DIAL	72"	\$2,650.62
ME940WG-108	ASME - GLOW/BLACK DIAL	108"	\$2,859.34
ME940CWG-108	ASME - SILVER/BLACK DIAL	108"	\$2,859.34



*Custom lengths for various tank diameters available.

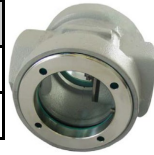


Marshall Excelsior Product Line

Sight Flow Swing Check Valves

Impact-resistant glass allows for visual inspection of liquid flow conditions. The swing-away check valve limits flow to one direction and will limit product loss in the event of a line failure.

Item ID	Description	List
ME875S16	2" FNPT - 5-3/4" OAL	\$976.40
ME875S24	3" FNPT - 7-3/8" OAL	\$1,666.28



Back Check Valves



Back checks allow one-way flow & feature a removable o-ring.

Item ID	Description	List
ME870-6*	3/4" FNPT X 3/4" MNPT - BRASS	\$30.78
ME870-10*	1-1/4" FNPT X 1-1/4" MNPT - BRASS	\$75.10
ME870-16*	2" FNPT X 2" MNPT - BRASS	\$172.36
ME870S-24	3" FNPT X 3" MNPT - STEEL	\$568.80

*Available in Steel and Stainless Steel.

Flow Indicating Swing Check Valves

Promotes maximum pump efficiency, giving operators a visual inspection point for monitoring flow while providing a back check.

Item ID	Description	List
ME981-6	3/4" FNPT W/ FLOW INDICATOR - 4-3/4" OAL	\$768.88
ME981-8	1" FNPT W/ FLOW INDICATOR - 4-3/4" OAL	\$768.88
ME981-10	1-1/4" FNPT W/ FLOW INDICATOR - 5-3/8" OAL	\$1,059.08
ME981-16	2" FNPT W/ FLOW INDICATOR - 6-7/8" OAL	\$1,607.00
ME981-24	3" FNPT W/ FLOW INDICATOR - 9-5/8" OAL	\$2,331.66



ME981-6



ME981

Excess Flow Valves

These valves can be used for filling, withdrawal, and vapor equalization in containers or line applications and are intended for liquid or vapor use.

Item ID	Description	Closing	List
ME880-4/1.8	1/4" MNPT X 1/4" FNPT	1.8 GPM	\$53.16
ME880-6/28*	3/4" MNPT X 3/4" FNPT	28 GPM	\$33.16
ME880-10/42*	1-1/4" MNPT X 1-1/4" FNPT	42 GPM	\$94.22
ME880-16/114*	2" MNPT X 2" FNPT	114 GPM	\$161.22
ME880S-24/350	3" MNPT X 3" FNPT - STEEL	350 GPM	\$570.80

ME880 Series



ME880S Series



- Integral breakaway feature leaves valve assembly intact with internal hex broach for easy removal.
- All Stainless Steel internal components.

*Available in Stainless Steel. Alternate closing flows available. All MEC excess flow valves are available in steel.

Quick Acting Dispensing Valves

Dispensing valves are intended for bobtail or dispensing systems. These valves have an instant full flow & quick close locking handle.

Item ID	Description	List
ME821-6	3/4" FNPT X 3/4" FNPT	\$248.38
ME821-4	1/2" FNPT X 1/2" FNPT	\$256.24
ME820-6	3/4" FNPT X 3/4" FNPT	\$276.12
ME820-8	1" FNPT X 1" FNPT	\$367.50



ME820 series is heavy duty.

Breakaway Couplings

Protects against excessive product loss and equipment damage in the event of a pull away during transfer operation.

Item ID	Description	List
ME860S6	3/4" FNPT - 6" OAL - BRACKET	\$190.26
ME860S8	1" FNPT - 6-3/4" OAL - BRACKET	\$284.16
ME861S6	3/4" FNPT - 6" OAL - LANYARD	\$187.36
ME861S8	1" FNPT - 6-3/4" OAL - LANYARD	\$423.76
MEP1286	RESETTING TOOL FOR 3/4"	\$258.00



ME860S6



ME861S6

Marshall Excelsior Product Line

Filler & Vapor Couplings

Item ID	Description	Purpose	List
ME100	3/8" MNPT X 1-1/4" F. ACME	LIQUID	\$30.58
ME110	1/2" MNPT X 1-3/4" F. ACME	LIQUID	\$31.66
ME111**	3/4" MNPT X 1-3/4" F. ACME	LIQUID	\$31.74
ME112**	1" MNPT X 1-3/4" F. ACME	LIQUID	\$33.70
ME635-6	3/4" MNPT X 1-3/4" F. ACME - EXTENDED	LIQUID	\$120.50
ME635-8	1" MNPT X 1-3/4" F. ACME - EXTENDED	LIQUID <td \$98.78	
ME120WR	1-1/4" MNPT X 2-1/4" F. ACME	LIQUID	\$154.90
ME130WR*	2" MNPT X 3-1/4" F. ACME	LIQUID	\$212.90
ME140	3/8" MNPT X 1-1/4" F. ACME	VAPOR	\$30.50
ME141**	1/2" MNPT X 1-1/4" F. ACME	VAPOR	\$30.50
ME150**	3/4" MNPT X 1-3/4" F. ACME	VAPOR	\$82.86
ME151**	1" MNPT X 1-3/4" F. ACME	VAPOR	\$80.46
ME646-8	1" MNPT X 1-3/4" F. ACME - EXTENDED	VAPOR	\$288.32

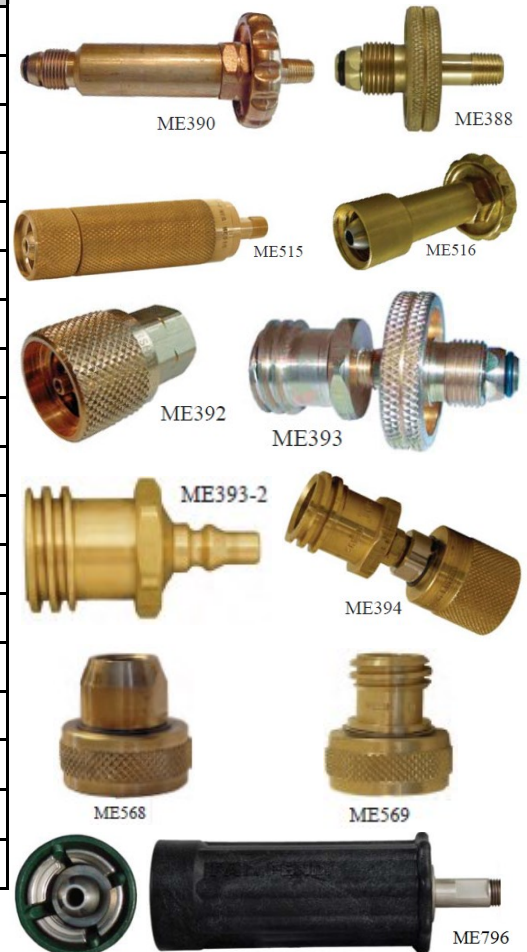
These couplings are used as connections between the hose and transfer valve.



POL & QCC Filler Couplings & Adapters

Item ID	Description	List
ME390	1/4" MNPT X M. SOFT NOSE POL - 6" OAL	\$97.20
ME390WR-1	BRASS STEM FOR ME390 - 6" OAL	\$43.00
ME390S	1/4" MNPT X M. SOFT NOSE POL - SS STEM - 6" OAL	\$119.68
ME390SWR-1	STAINLESS STEEL STEM FOR ME390S - 6" OAL	\$44.56
ME388	1/4" MNPT X M. SOFT NOSE POL - 2-11/16" OAL	\$49.62
ME515	1/4" MNPT X 1-5/16" F. ACME (QCC) - 7" OAL	\$127.12
ME515-3	BRASS STEM FOR ME515 - 7" OAL	\$39.26
ME516	1/4" MNPT X 1-5/16" F. ACME (QCC) - 6" OAL	\$108.30
ME5161	BRASS STEM FOR ME516 - 6" OAL	\$40.74
ME516S	1/4" MNPT X 1-5/16" F. ACME - SS STEM - 6" OAL	\$131.90
ME516S-01	STAINLESS STEEL STEM FOR ME516S - 6" OAL	\$62.18
ME392	ADAPTER - FPOL X 1-5/16" F. ACME (QCC)	\$43.56
ME393	ADAPTER - FPOL/1-5/16" F. ACME X M. S.N. POL	\$69.24
ME393-2	ADAPTER - FPOL/1-5/16" F. ACME X QUICK DISCON.	\$27.56
ME394	ADAPTER - FPOL/1-5/16" F. ACME X 1-1/4" F. ACME	\$74.94
ME568	ADAPTER - FPOL X 1-3/4" F. ACME	\$54.62
ME569	ADAPTER - 1-5/16" F. ACME X 1-3/4" F. ACME	\$55.28
ME796	1-5/16" F. ACME (QCC) QUICK CONNECT X 1/4" MP	\$266.72

These couplings and adapters give you the flexibility to fill various types of cylinders.

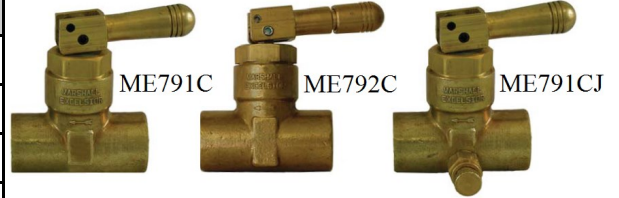


Marshall Excelsior Product Line

Quick Acting Toggle Valves

Ideal for filling operations and industrial applications where quick and precise on/off operation is necessary.

Item ID	Description	List
ME791C	1/2" FNPT X 1/4" FNPT - NON-LOCKING HANDLE	\$119.46
ME791D	1/2" FNPT X 1/2" FNPT - NON-LOCKING HANDLE	\$119.46
ME791CJ	1/2" FNPT X 1/4" FNPT - NON-LOCKING W/ VENT	\$132.74
ME792C	1/2" FNPT X 1/4" FNPT - LOCKING HANDLE	\$134.22
ME792D	1/2" FNPT X 1/2" FNPT - LOCKING HANDLE	\$134.22



*These valves are available with a factory installed bleeder valve.

Quick Acting Hose Ends - Low Emission

These low emission quick acting hose end valves are designed for minimal product loss without sacrificing flow. They feature an all stainless steel internal component construction and are field repairable on the main valve seal. The toggle handle and stem assembly rotate 360° for ergonomic flexibility and comfort.

Item ID	Description	Style	Handle	List
ME777-6	3/4" FNPT X M. POL	SPIN ON	BRASS	\$468.48
ME778-6	3/4" FNPT X 1-5/16" F. ACME (QCC)	SPIN ON	BRASS	\$468.48
ME779N-6	3/4" FNPT X 1-5/16" F. ACME (QCC)	QUICK CONNECT	COMPOSITE	\$526.96
ME779-6	3/4" FNPT X 1-5/16" F. ACME (QCC)	QUICK CONNECT	ALUMINUM	\$774.32

LESS THAN .04CC LOSS AT DISCONNECT!



Acme Adapters - Male Acme x FNPT

Item ID	Description	List
ME192	1-1/4" M. ACME X 1/2" FNPT	\$72.72
ME193	1-1/4" M. ACME X 3/4" FNPT	\$109.04
ME210	1-3/4" M. ACME X 1/4" FNPT	\$18.94
ME211	1-3/4" M. ACME X 3/8" FNPT	\$18.94
ME212	1-3/4" M. ACME X 1/2" FNPT	\$18.94
ME213*	1-3/4" M. ACME X 3/4" FNPT	\$18.94
ME214*	1-3/4" M. ACME X 1" FNPT	\$24.00
ME502-12/8	2-1/4" M. ACME X 1" FNPT / 1-1/2" MNPT	\$131.76
ME502-16/10*	2-1/4" M. ACME X 1-1/4" FNPT / 2" MNPT	\$130.40
ME252-16*	3-1/4" M. ACME X 2" FNPT	\$114.06
ME508-24*	3-1/4" M. ACME X 3" FNPT	\$348.04



*Available in Steel.



Marshall Excelsior Product Line

Acme Adapters - Male Acme x MNPT

All adapters listed below are available in Steel.

Item ID	Description	List
ME498-4/2	1-1/4" M. ACME X 1/2" MNPT (1/4" FNPT)	41.30
ME215	1-3/4" M. ACME X 3/4" MNPT	\$26.60
ME216	1-3/4" M. ACME X 1" MNPT	\$26.60
ME217	1-3/4" M. ACME X 1-1/4" MNPT	\$26.46
ME233	2-1/4" M. ACME X 1-1/4" MNPT	\$103.72
ME503-16	3-1/4" M. ACME X 2" MNPT	\$128.96
ME262	3-1/4" M. ACME X 3" MNPT	\$268.16



Adapters - M. Acme x M. Acme

Item ID	Description	List
ME270	1-1/4" M. ACME X 1-1/4" M. ACME	\$58.18
ME273*	1-3/4" M. ACME X 1-3/4" M. ACME	\$53.60
ME275*	2-1/4" M. ACME X 2-1/4" M. ACME	\$132.32
ME277*	3-1/4" M. ACME X 3-1/4" M. ACME	\$244.78

*Available in Steel.



Acme Reducer Couplings

Item ID	Description	List
ME611	1-3/4" M. ACME X 2-1/4" F. ACME	\$155.36
ME612	1-3/4" M. ACME X 3-1/4" F. ACME	\$179.48
ME614	2-1/4" M. ACME X 3-1/4" F. ACME	\$278.10
ME442	1-1/4" FNPT X 3-1/4" F. ACME	\$216.72

All above parts are available in steel.



Acme Caps

Item ID	Description	List
ME108	1-1/4" F. ACME - PLASTIC	\$2.90
ME109	1-3/4" F. ACME - PLASTIC	\$2.90
ME601-902	1-3/4" F. ACME W/ STRAP - PLASTIC	\$4.58
ME106	3-1/4" F. ACME - PLASTIC	\$55.88
ME220FP	1-1/4" F. ACME - BRASS	\$25.48
ME229*	1-3/4" F. ACME - BRASS	\$47.12
ME229-1*	1-3/4" F. ACME W/ CHAIN - BRASS	\$51.64
ME431F*	2-1/4" F. ACME - BRASS	\$120.06
ME441F*	3-1/4" F. ACME - BRASS	\$171.94
ME441F8-1	3-1/4" F. ACME W/ 8" SS FLANGE	\$283.58

*Available in steel.

All caps available with chain.



ME441F-1
(Shown with chain)



ME441F8

Marshall Excelsior Product Line

Acme Dust Plugs

Item ID	Description	List
ME178	1-1/4" M. ACME - PLASTIC	\$25.60
ME179	1-3/4" M. ACME - PLASTIC	\$19.14
ME180	2-1/4" M. ACME - PLASTIC	\$20.98
ME181	3-1/4" M. ACME - PLASTIC	\$30.86



All plugs available with chain.

Relief Valve Covers

Item ID	Description	List
MEH502	FITS 1/2" TO 3/4"	\$3.62
MEH503	FITS 3/4" TO 1-1/4"	\$3.62



Fully Internal Pressure Relief Valves

Designed for LPG & NH3 bobtails and transports. All stainless steel body and internal components.

Item ID	Description	List
MEV200FIR/250	2" MNPT - 250 PSI	\$528.36
MEV300FIR/250	3" MNPT - 250 PSI	\$1,080.64



MEV200FIR/ MEV300FIR

Available in 250, 265, & 275 PSI. Available in Nitrile, Viton, and Kalrez seats.

Semi-Internal Pressure Relief Valves

Designed for larger stationary containers as a primary pressure relief valve. Available in 125, 250, & 265 PSI set pressures. These relief valves come with a nitrile seat, but are available with Viton or Kalrez seats. Also available in stainless steel.

Item ID	Description	List
MEV200SIR/250	2" MNPT CONTAINER CONNECTION X 3" MNPT PIPEAWAY CONNECTION - 250 PSI	\$659.60
MEP104-24	PIPEAWAY ADAPTER - 3" FNPT X 3" FNPT	\$131.80
651080	RELIEF STACK WEATHER CAPS	\$33.18



MEV200SIR

Quad-Port Relief Valve Manifold

Designed for large LPG & NH3 stationary storage containers, these relief manifolds are available in 2" MNPT, 3" Flange, & 4" Flange tank connections. Save time and money by avoiding the hassle of draining your storage tank to change out a relief valve.

Item ID	Description	List
ME902S-16B/250	2" MNPT - (2) 1-1/4" RELIEFS - 250 PSI - MINI	\$2,887.84
ME903S-16B/250	2" MNPT - (3) 1-1/4" RELIEFS - 250 PSI - MINI	\$3,090.82
ME904S-16B/250	2" MNPT - (4) 1-1/4" RELIEFS - 250 PSI - MINI	\$3,269.84
ME903S-3F/250VM	3" 300 LB. FLANGE - (3) 2-1/2" RELIEFS - 250 PSI	\$8,112.34
ME903S-4F/250VM	4" 300 LB. FLANGE - (3) 2-1/2" RELIEFS - 250 PSI	\$8,024.32
ME904S-3F/250VM	3" 300 LB. FLANGE - (4) 2-1/2" RELIEFS - 250 PSI	\$9,388.68
ME904S-4F/250VM	4" 300 LB. FLANGE - (4) 2-1/2" RELIEFS - 250 PSI	\$8,429.58



Large port handle & easy to read port indicators

Available in 250 & 265 PSI. Available with Viton or Nitrile seals.

Marshall Excelsior Product Line

External Pressure Relief Valves

Intended for stationary ASME applications as the primary pressure relief valve.

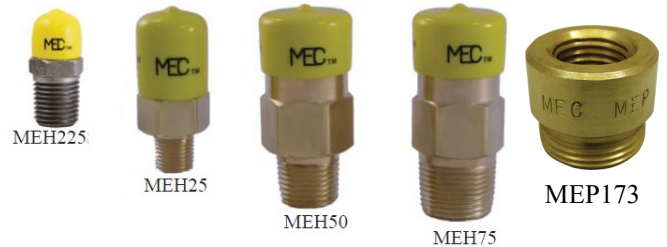
Item ID	Description	List
MEVS-431B/250	3/4" MNPT - 250 PSI - 3-21/64" OAL	\$97.26
MEVS-431/250	1" MNPT - 250 PSI - 4" OAL	\$97.26
MEV125B/250*	1-1/4" MNPT - 250 PSI - 10-1/2" OAL	\$327.50
MEV250VM/250*	2-1/2" MNPT - 250 PSI - 10-1/2" OAL	\$1,149.26



Hydrostatic Relief Valves

Designed to protect piping and shutoff valves from overpressure situations where liquid LPG or NH3 has the potential to be trapped.

Item ID	Description	Pipeaway	List
MEH225	1/4" MNPT - 440 PSI	—	\$12.98
MEH25/450	1/4" MNPT - 450 PSI	MEP173	\$29.10
MEH50/460	1/2" MNPT - 460 PSI	MEP174	\$53.24
MEH75/460	3/4" MNPT - 460 PSI	MEP174	\$53.68



Y-Strainers

These Y-Strainers come standard in 40 Mesh and are available in 20 or 80 Mesh when requested. A factory-installed plug is also available by request.

Item ID	Inlet/Outlet	Blowoff Port	List
ME650S	1/2" FNPT	1/2" FNPT	\$87.20
ME651S	3/4" FNPT	1/2" FNPT	\$87.20
ME652S	1" FNPT	3/4" FNPT	\$139.78
ME653S	1-1/4" FNPT	3/4" FNPT	\$149.06
ME654S	1-1/2" FNPT	1" FNPT	\$191.82
ME655S	2" FNPT	1" FNPT	\$278.78
ME656S	3" FNPT	1-1/4" FNPT	\$878.22
ME656S-3F	3"-300LB FLANGE	1-1/4" FNPT	\$1,084.84
ME656S-4F	4"-300LB FLANGE	1-1/4" FNPT	\$1,727.58



Dispensing Filter



- Forged Aluminum Body
- Powder coated exterior
- 1" hex nut on bottom of bowl for easy maintenance
- 1/4" gauge taps upstream and downstream of the filter

Ideal for autogas installations, this filter is designed to remove 99.9% of solid contaminants found in LPG & NH3. A replaceable filter kit is available and recommended to be replaced once differential pressure reaches across the filter reaches 22 PSI.

Item ID	Description	List
ME680-8	1" FNPT-20 MICRON	\$2,586.54
ME680ERK	ELEMENT KIT	\$779.56

Bypass Valves for Bobtail Truck / Plant Applications

These bypass valves are designed to protect truck and plant pumps from damage due to excessive pressure.

Item ID	Inlet/Outlet	Spring Range	List
ME840-10-125	1-1/4" FNPT	90-125 PSI*	\$604.94
ME840-12-125	1-1/2" FNPT	90-125 PSI*	\$668.10
ME840-16-125	2" FNPT	90-125 PSI*	\$748.84



*Alternate spring ranges available.
Available with socket weld.

Marshall Excelsior Product Line

Bypass Valve for Plant Applications

Perfectly suited for 4" base mount pumps or larger pump applications. Designed for systems where bypass flow is necessary to protect the pump from rapid pressure changes or over pressurization.

Item ID	Description	List
ME840-24-100	3" FNPT - 0-100 PSI	\$2,160.86



Alternate spring ranges available.

Vent Valves

Item ID	Orifice Size	Stem
MEJ400	STANDARD #54	MEJ401 MEJ401SC
MEJ400/72	LOW EMISSION #72	MEJ401
MEJ400SC	LOW EMISSION #54	MEJ401SC
MEJ402S	STANDARD #54	T-HANDLE



Bypass for Dispensers

Intended for use in small cylinder filling applications as a bypass and primer valve for turbine style dispensing pumps.

Item ID	Description	List
ME840-6-150	3/4" FNPT - 50-150 PSI	\$366.12
ME840-8-150	1" FNPT - 50-150 PSI	\$366.12



Alternate spring ranges available.

Vent Valves with Dip Tube

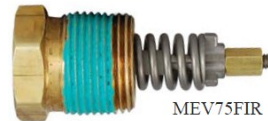
Item ID	Orifice Size	Dip Tube
MEJ410	STANDARD #54	5.4" TO 12"
MEJ410/72	LOW EMISSION #72	5.4" TO 12"
MEJ410SC	LOW EMISSION #54	5.4" TO 12"

*Specify dip tube length when ordering.



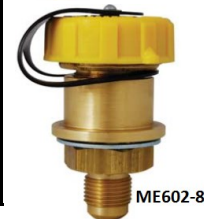
Forklift Cylinder Valves

Item ID	Description	List
ME220M	QUICK CLOSING COUPLING - 3/8" FNPT X 1-1/4" M. ACME	\$18.90
ME9101P5H	SERVICE VALVE - 3/4" MNPT X 3/8" MNPT - 2.6 GPM	\$31.70
ME6016	FILLER VALVE - 3/4" MNPT X 1-3/4" M. ACME W/ CAP	\$35.36
MEV75FIR	RELIEF VALVE - 3/4" MNPT - 375 PSI	\$18.88
MEP175-45	PIPE-AWAY ADAPTER - 45 DEGREES	\$6.60
MEP175P	PLUG FOR MEP175-45 AND CAP FOR MEH225	\$3.92



Engine Fuel Valves

Item ID	Description	List
ME790	FILLER COUPLING - 1-1/4" F. ACME X 1/4" MNPT	\$184.34
ME8346	CARBURETION FITTING - 5/16" ID X 3/8" F. FLARE X 1/4" FNPT	\$23.00
ME220F	FUEL LINE CONNECTOR - 1-1/4" F. ACME X 1/4" FNPT	\$21.90
ME9101H6	SERVICE VALVE - 3/4" MNPT X 3/8" M. FLARE	\$54.52
ME229-EL	CARBURETION FITTING - 1-3/4" F. ACME X 1/2" M. FLARE	\$54.34
ME602-8	REMOTE FILL VALVE - 1-3/4" M. ACME X 1/2" M. FLARE	\$75.68
MES-10ARF	REMOTE BLEEDER ELBOW - 1/4" MNPT X 1/4" M. FLARE	\$45.10

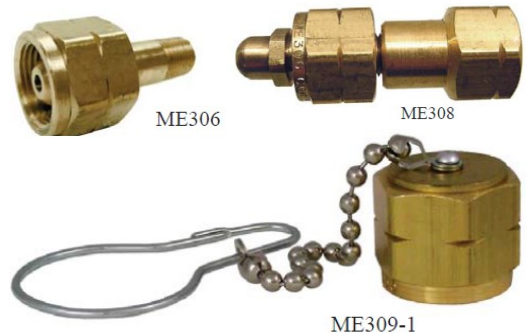


Marshall Excelsior Product Line

CGA 555 Fittings

CGA 555 adapters are standard cylinder valve outlet connections for liquid propane withdrawal (i.e. MES-3250CLM-11.6 on page 7).

Item ID	Description	List
ME306	FEMALE CGA 555 X 1/4" MNPT	\$20.60
ME307	FEMALE CGA 555 X 9/16"-18 MALE LEFT HAND	\$42.40
ME308	FEMALE CGA 555 X FEMALE POL	\$36.08
ME309-1	CAP WITH CHAIN - FEMALE CGA 555	\$18.10



High Pressure Gas Connections

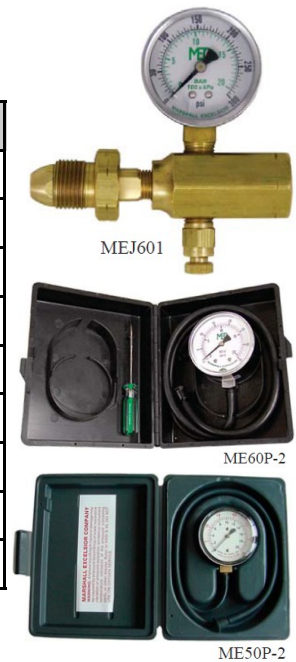
Item ID	Description	List
ME23C	HOSE BARB - 1/4" HOSE X 9/16"-18 FEMALE LEFT HAND	\$3.18
ME23E	HOSE BARB - 3/8" HOSE X 9/16"-18 FEMALE LEFT HAND	\$3.34
ME1650	MALE HARD NOSE POL X 9/16"-18 MALE LEFT HAND	\$8.18
ME24C	OUTLET BUSHING - 9/16"-MALE LEFT HAND X 1/4" MNPT	\$2.36



Pressure Test Kits

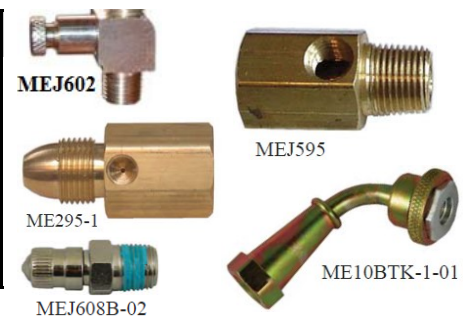


Item ID	Description	List
MEJ601	MPOL X FPOL - 0-300 PSI - W/ VENT VALVE	\$80.42
ME60P-2	GAUGE W/ HOSE, SCREWDRIVER & CASE - 0-35" W.C. - ADJUSTABLE	\$201.5
ME60P-5	GAUGE & HOSE ONLY - 0-35" W.C. - ADJUSTABLE	\$164.04
ME60-2	GAUGE ONLY - 0-35" W.C. - ADJUSTABLE	\$164.78
ME50P-2	GAUGE W/ HOSE & CASE - 0-35" W.C. - NON-ADJUSTABLE	\$145.52
ME1328	MANOMETER ADAPTER - 3/8" OD	\$42.88
ME1331	MANOMETER ADAPTER - 1/2" OD	\$43.76
ME1332	MANOMETER ADAPTER - 5/8" OD	\$45.50
METL051	SERVICEMAN'S FRIEND	\$16.46



Pressure Test Accessories

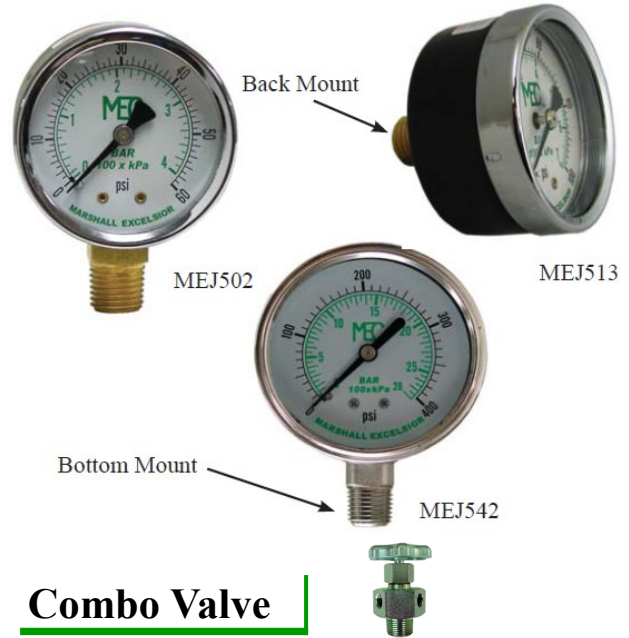
Item ID	Description	List
MEJ602	ADAPTER - 1/4" MNPT X 1/4" MNPT - W/ VENT VALVE	\$25.82
ME295-1	ADAPTER - MPOL X FPOL X 1/8" FNPT W/ 54# ORIFICE	\$36.14
MEJ595	ADAPTER - 1/2" MNPT X 1/2" MNPT X 1/4" FNPT	\$20.14
MEJ608B-02	ADAPTER - 1/8" MNPT X 5/16"-32 MALE	\$6.26
ME10BTK-1-01	1/8" FNPT X 5/16"-32 FEMALE	\$69.26



Marshall Excelsior Product Line

Pressure Gauges

1/4" MNPT Bottom Mount	1/4" MNPT Back Mount	Reading	Dial	Dry/Wet	List
ME50ECO-2	—	0-30" W.C.	2-1/2"	DRY	\$70.96
MEJ500	MEJ510	0-15 PSI	2"	DRY	\$11.10
MEJ603LP-01	—	0-15 PSI	2-1/2"	WET	\$31.44
MEJ501	MEJ511	0-30 PSI	2"	DRY	\$11.10
MEJ502	MEJ512	0-60 PSI	2"	DRY	\$11.10
MEJ503	MEJ513	0-100 PSI	2"	DRY	\$11.10
MEJ504	—	0-160 PSI	2"	DRY	\$11.10
MEJ505	—	0-200 PSI	2"	DRY	\$11.10
MEJ600-02	MEJ516	0-300 PSI	2"	DRY	\$11.10
MEJ603HP-01	—	0-300 PSI	2-1/2"	WET	\$31.44
MEJ580	—	0-300 PSI	4"	DRY	\$31.44
MEJ542*	MEJ526*	0-400 PSI	2-1/2"	WET	\$51.30
MEJ552**	MEJ524**	0-400 PSI	2-1/2"	WET	\$24.38



Combo Valve

Item ID	Description	List
MEJ415	3/4" MNPT X 1/4" FNPT (2)	\$179.78

*Stainless Steel Gauge. **Brass Pipe Thread, Stainless Steel Dial.

Leak Check & Regulator Testing Kits

The SKV series kits come with a 0-35" W.C. gauge & 22" W.C. regulator. This regulator reduces pressure, allowing this kit to be used anywhere in the system.

Item ID	Description	List
SKVA	KIT FOR TYPE A SCHRAEDER VALVES	\$328.32
SKVB	KIT FOR TYPE B PRESTO-TAPS	\$328.32



Container Thermometers

Designed for use in LPG & NH3 storage tanks, bobtails & transports.

Item ID	Connection	Dial	Stem Length	List
MEJ700	1/2" MNPT	2"	4"	\$89.18
MEJ701	1/2" MNPT	2"	6"	\$129.30
MEJ702	1/2" MNPT	3"	4"	\$132.46



Cylinder Valve Wrenches

Item ID	Description	List
MEP121	POL - MALE POL THREAD	\$78.02
MEP122	QCC/OPD - 1-5/16" F. ACME THREAD	\$104.56
MEP125	FOR MOTOR FUEL SERVICE VALVES	\$105.46



MEP121

MEP122

MEP125

Needle Valves

Approved for bi-directional flow and available in brass and steel.



ME831S

Item ID	Description	List
ME831	1/4" MNPT X 1/4" FNPT	\$23.44
ME831S	1/4" MNPT X 1/4" FNPT	\$67.20

Wheel Chock



Item ID	Description	List
ME200	7" H X 10" L X 7" W	\$128.52

Spanner Wrench



Item ID	Description	List
MEP120B	FOR 1-3/4" TO 4-1/4" F. ACME	\$78.88

Marshall Excelsior Product Line

Cylinder Collars

Item ID	Description	List
ME350MV	3-1/2" - FITS MULTIVALVE	\$49.38



Vent Assemblies

These vents are intended to be used with pipeways on second stage regulators.

Item ID	Description	List
ME900-6	3/4" FNPT 90°	\$11.56

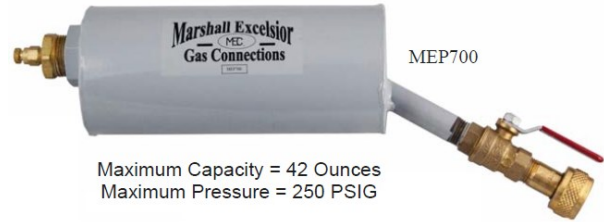


ME900-6

Methanol Injector

This gravity fed methanol injector allows you to inject methanol into stationary containers to help prevent condensation from freezing in the propane system. **Warning:** Never attempt to refill injector with methanol while connected to a propane container.

Item ID	Description	List
MEP700	1-1/4" F. ACME VAPOR CONNECTION	\$318.10



Maximum Capacity = 42 Ounces
Maximum Pressure = 250 PSIG

Type I QCC Connectors

These parts allow for easy connection to OPD valves and other adapters with a Type I QCC connection.

Item ID	Description	List
ME517	1-5/16" F. ACME X 1/4" MNPT - BLACK - 100,000 BTU	\$10.20
ME518	1-5/16" F. ACME X 1/4" MNPT - GREEN - 200,000 BTU	\$11.50
ME519	1-5/16" F. ACME X 1/4" MNPT - RED - 400,000 BTU	\$14.20
ME517-25H	1-5/16" F. ACME X 1/4" HOSE BARB - BLACK - 100,000 BTU	\$12.40
ME518-25H	1-5/16" F. ACME X 1/4" HOSE BARB - GREEN - 200,000 BTU	\$13.10
ME519-25H	1-5/16" F. ACME X 1/4" HOSE BARB - RED - 400,000 BTU	\$15.20
ME517EV	EVACUATION COUPLING - 1-5/16" F. ACME X FULL FLOW	\$8.92



Type I QCC Installation Adapters

The ME398 converts a POL service valve into a Type I QCC connection.

Item ID	Description	List
ME393-1	1/4" FNPT X 1-5/16" M. ACME/FPOL	\$23.66
ME398	MALE S.N. POL X 1-5/16" M. ACME/FPOL - QUICK CLOSING	\$32.80
ME399	1/4" MNPT X 1-5/16" M. ACME/FPOL - QUICK CLOSING	\$33.20



Camping Tees

Item ID	Description	List
ME415	.9 GPM EXCESS FLOW MPOL X FPOL X 1"-20 MALE	\$44.58
ME420	.9 GPM EXCESS FLOW MPOL X 1/4" F. INV. FLARE X FPOL X 1"-20 MALE	\$74.44

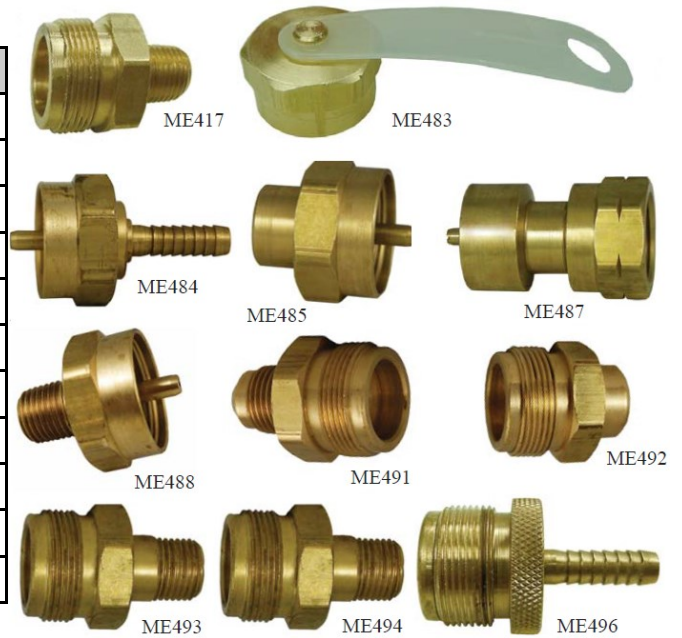


ME415

Marshall Excelsior Product Line

Camping Fittings

Item ID	Description	List
ME417	1/4" MNPT X 1"-20 MALE W/ CHECK	\$12.96
ME483	1"-20 FEMALE CAP W/ STRAP	\$5.34
ME484	1"-20 FEMALE X 1/4" HOSE BARB	\$15.90
ME485	1"-20 FEMALE X 1/4" FNPT	\$9.74
ME487	1"-20 FEMALE X FPOL	\$17.16
ME488	1"-20 FEMALE X 1/4" MNPT	\$12.88
ME491	3/8" M. FLARE X 1"-20 MALE W/ CHECK	\$9.86
ME492	1/4" FNPT X 1"-20 MALE - NO CHECK	\$7.38
ME493	9/16"-18 MALE L.H. X 1"-20 MALE W/ CHECK	\$12.90
ME494	9/16"-18 MALE L.H. X 1"-20 MALE - NO CHECK	\$9.52
ME496	1/4" HOSE BARB X 1"-20 MALE SWIVEL	\$13.46



Low Pressure Quick Disconnect Couplings

Item ID	Description	List
ME-GMC4	QUICK DISCONNECT ASSY. - 1/4" FNPT X 1/4" MNPT NIPPLE	\$27.06
ME-GMCL4	1/4" FNPT X QUICK CONNECT BALL VALVE	\$41.46
ME-GMC4-02	1/4" QUICK DISCONNECT NIPPLE X 1/4" MNPT	\$8.96
ME-GMC4-03	1/4" QUICK DISCONNECT NIPPLE X 1/4" HOSE BARB	\$6.10
ME-GMC6	QUICK DISCONNECT ASSY. - 3/8" FNPT X 3/8" FNPT NIPPLE	\$32.16



Gas Box

Eliminates the need for 20# cylinders by allowing you to plumb an outdoor appliance to a DOT or ASME stationary tank. This unit will increase your propane sales & save your customer a trip to their local BBQ cylinder exchange.

Item ID	Description	List
ME951BLK	1/2" FNPT X 1-5/16" M. ACME/FPOL - SINGLE OUTLET	\$126.88
ME952BLK	1/2" FNPT X 1-5/16" M. ACME/FPOL - DUAL OUTLET	\$205.40



Safe-T-Locks

Item ID	Description	List
ME530	POL - 12 PLUGS & LOCKS, 1 KEY	\$224.96
ME533	1-3/4" F. ACME - 2 CAPS & LOCKS, 1 KEY	\$148.92
ME530PL	POL - 12 PLUGS & MASTER LOCKS, 1 KEY	\$238.36
ME530-03	ADDITIONAL KEYS	\$6.74



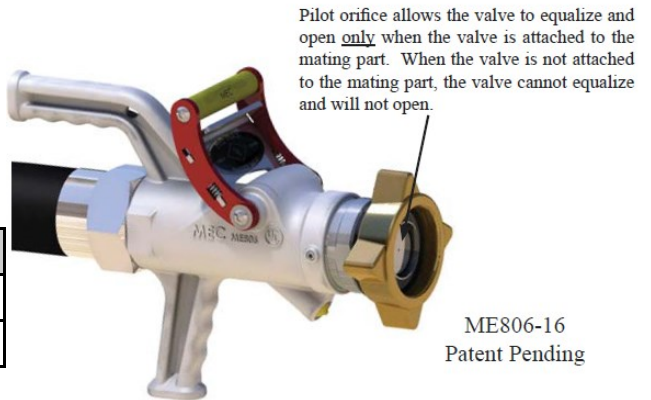
Marshall Excelsior Product Line

Low Emission Transfer System



Low Emission Transfer Valves

This low emission transfer valve reduces emissions by 99.6% for a minimum savings of \$350 per 1,000 fills. The ME806S-16 is rated for propane & NH3. Ideal for bulk storage transfer.



Item ID	Description	List
ME806-16	2" FNPT X 3-1/4" F. ACME - DUCTILE/BRASS	\$999.74
ME806S-16	2" FNPT X 3-1/4" F. ACME - DUCTILE/STEEL	\$999.74

ME806-16
Patent Pending

Low Emission Transfer Valves for Bobtails & Transports

The ME807-16 allows for bi-directional flow in loading and unloading applications.

Item ID	Description	List
ME807V-16	2" FNPT X 3-1/4" M. ACME - DUCTILE/BRASS	\$1,266.60
ME807S-16	2" FNPT X 3-1/4" M. ACME - DUCTILE/STEEL	\$1,297.66



ME807-16

Marshall Excelsior Product Line

Low Emission Transfer Adapters

These low emission transfer adapters are equipped with a check and allow for one-way flow. Ideal for inlets on bobtails.

Item ID	Description	List
ME866-10	1-3/4" M. ACME X 1-1/4" MNPT	\$136.84
ME867-10	2-1/4" M. ACME X 1-1/4" MNPT	\$376.78
ME868-16	3-1/4" M. ACME X 2" MNPT	\$361.24
ME868-24	3-1/4" M. ACME X 3" MNPT	\$544.98



ME868-16

Low Emission Globe & Angle Valves

Integrated Back Check Feature (IBC) - Designed for use in sections of piping where the trapped liquid pressure may exceed 100 PSI between two valves. When trapped liquid pressure exceeds 100 PSI, the integrated back check feature automatically bypasses trapped downstream system pressure through the valve seat to the upstream side of the valve into the product container or piping. A closed loop system is created, keeping the product in the system and reducing product emissions.

Item ID	Description	List
ME815IBC-16	ANGLE VALVE W/ IBC - 2" FNPT X 2" FNPT	\$597.70
ME825IBC-16	GLOBE VALVE W/ IBC - 2" FNPT X 2" FNPT	\$597.70



ME868-16 / ME825IBC-16

Smart Interlock Technology

Designed to prevent a vehicle from being operated while the hose end delivery valve, loading line, or wheel chocks are in use. The smart interlock technology connects directly to the vehicle's brake system.

Item ID	Description	List
ME200PIB	SENSOR BRACKET ASSEMBLY FOR ME200	\$830.20
ME217PIB	SENSOR BRACKET ASSEMBLY FOR ME217	\$425.18
ME503PIB	SENSOR BRACKET ASSEMBLY FOR ME503	\$478.68
ME807PIB	SENSOR BRACKET ASSEMBLY FOR ME807	\$495.78
ME868PIB	SENSOR BRACKET ASSEMBLY FOR ME868	\$638.12
MEP801PIH	SENSOR BRACKET FOR MEP801 HOLSTER	\$1,228.20
MEP801PIK	INTERLOCK RETROFIT KIT FOR MEP801 HOLSTER	\$748.16



ME200PIBK



ME217PIB



MEP801PIH

Hose End Valve Holsters

Item ID	Description	Fits	List
MEP801	HOLSTER W/ STRAP	ME800	\$515.30
MEP802	HOLSTER W/ HOOD	ME800	\$562.00
MEP804	HOLSTER W/ HOOD & STRAP	ME800, AL343	\$612.80



MEP801



MEP802



MEP804

Integral Two-Stage Regulators

Now with an improved diaphragm on integral two-stage models to better handle contaminants and increase BTU capacity.



Item ID	Description	BTU/H	List
R632A-JFF	FPOL X 3/4" FNPT	850,000	\$114.60
R632A-CFF	1/4" FNPT X 3/4" FNPT	950,000	\$114.60
R232A-BBF	1/4" FNPT X 1/2" FNPT	550,000	\$73.80
R232A-HBF	FPOL X 1/2" FNPT	550,000	\$73.80



TYPE R632

First Stage Regulators

Item ID	Description	BTU/H	List
R622H-JGJ	FPOL X 3/4" FNPT - 10 PSI OUTLET	2,250,000	\$82.40
R622H-JGK	FPOL X 3/4" FNPT - 5 PSI OUTLET	2,250,000	\$82.40
R122H-AAJ	1/4" FNPT X 1/2" FNPT - 10 PSI OUTLET	1,100,000	\$54.40



TYPE R622H

Second Stage Regulators

Item ID	Description	BTU/H	List
R622-BCF	1/2" FNPT X 1/2" FNPT	875,000	\$75.88
R622-DFE	3/4" FNPT X 3/4" FNPT	1,400,000	\$75.88
R622-DFFXB	3/4" FNPT X 3/4" FNPT - VENT OVER OUTLET	1,400,000	\$75.88
R642-DFE	3/4" FNPT X 3/4" FNPT	920,000	\$82.28
R652-DFE	3/4" FNPT X 3/4" FNPT - 90 DEGREE ANGLE	1,000,000	\$82.28
HSRL-BFC	3/4" FNPT X 3/4" FNPT	2,300,000	\$177.90
HSRL-CFC	1" FNPT X 1" FNPT	2,600,000	\$177.90



TYPE R622



TYPE R642



TYPE R652



TYPE HSRL

Commercial/Industrial High Pressure Regulators

Item ID	Inlet/Outlet	Orifice	Outlet Pressure	BTU/H	List
627-5810	3/4" FNPT	3/8"	5-20 PSI	6,080,000	\$538.68
627-6210	3/4" FNPT	1/2"	5-20 PSI	10,755,000	\$538.68
627-7710	1" FNPT	1/2"	5-20 PSI	10,773,000	\$538.68
630-104/78	2" FNPT	1/2"	8-20 PSI	14,000,000	\$1,624.52



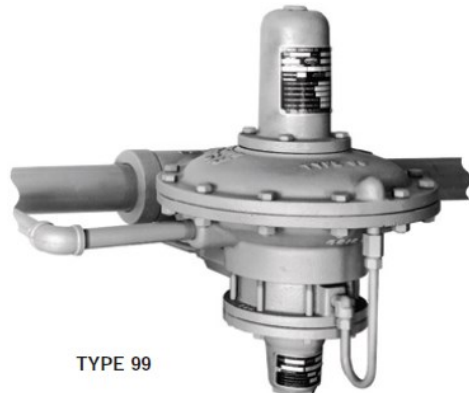
TYPE 627 TYPE 630

Fisher Product Line

Commercial/Industrial Pilot-Operated High Pressure Regulators

For Commercial/Industrial high-pressure applications, such as factories, office buildings, and restaurants, as well as boiler applications.

Item ID	Inlet/Outlet	Orifice	Outlet Pressure	BTU/H	List
99-503PH	2" FNPT	1-1/8"	2-10 PSI	61,668,000	\$5,676.92
99-504PH	2" FNPT	1-1/8"	5-15 PSI	63,250,000	\$5,676.92
99-505PH	2" FNPT	1-1/8"	10-20 PSI	67,993,000	\$5,676.92
99-901PH	2" FNPT	1-1/8"	10-65 PSI	74,318,000	\$5,676.92
99-512P	2" FNPT	7/8"	5-15 PSI	37,950,000	\$5,486.54
99-513P	2" FNPT	7/8"	2-10 PSI	36,368,000	\$5,486.54
99-515P	2" FNPT	7/8"	10-20 PSI	41,112,000	\$5,486.54
99-903P	2" FNPT	7/8"	10-65 PSI	44,275,000	\$5,486.54



TYPE 99

Commercial Low Pressure Regulators

Item ID	Inlet/Outlet	Orifice	Outlet Pressure	BTU/H	List
CS200IR-6EC1	3/4" FNPT	1/2"	10-14" W.C.	2,500,000	\$817.72
CS200IR-6EC3	1" FNPT	1/2"	10-14" W.C.	3,800,000	\$817.72
CS200IR-6EC6	1-1/4" FNPT	1/2"	10-14" W.C.	3,900,000	\$817.72
CS400IR-8EC6	1-1/4" FNPT	3/4"	10-14" W.C.	6,800,000	\$755.10
CS400IR-8EC7	1-1/2" FNPT	3/4"	10-14" W.C.	7,600,000	\$755.10
CS400IR-8EC8	2" FNPT	3/4"	10-14" W.C.	7,600,000	\$877.78
CS800IR-8CC7	1-1/2" FNPT	1"	8-12" W.C.	10,460,000	\$1,676.56
CS800IR-8CC8	2" FNPT	1"	8-12" W.C.	21,809,000	\$1,676.56



CS200/CS400



TYPE CS800

Industrial Service Low Pressure Regulators

Item ID	Inlet/Outlet	Orifice	Outlet Pressure	BTU/H	List
299H-102	2" FNPT	3/4"	9-20" W.C.	19,700,000	\$2,302.43
299H-106	2" FNPT	3/4"	9-20" W.C.	20,400,000	\$2,302.43
133H-1	2" FNPT	2"	1.5-3 PSI	66,150,000	\$3,274.16



TYPE 299H



TYPE 133H
OR 133L

Single-Stage Small Portable Appliance Regulator

Designed for use on small outdoor appliances.

Item ID	Description	Orifice	Outlet Pressure	BTU/H	List
912-101	1/4" FNPT X 3/8" FNPT	0.073"	9.25-13" W.C.	110,000-494,000	\$62.20



TYPE 912-101

Fisher Product Line

Commercial/Industrial High Pressure Regulators

Suitable for liquid or vapor service, these high pressure regulators are used in a variety of applications.

Item ID	Inlet/Outlet	Outlet Pressure	BTU/H	Adjustment	List
67CW-684	1/4" FNPT	3-35 PSI	750,000	WRENCH	\$75.96
67CW-685	1/4" FNPT	30-60 PSI	1,200,000	WRENCH	\$75.96
67CW-701	1/4" FNPT	50-120 PSI	1,000,000	WRENCH	\$75.96
67CH-743	1/4" FNPT	3-35 PSI	750,000	HANDWHEEL	\$69.14
67CH-742	1/4" FNPT	30-60 PSI	1,200,000	HANDWHEEL	\$69.14
67CH-741	1/4" FNPT	50-120 PSI	1,000,000	HANDWHEEL	\$69.14
67CD-100	1/4" FNPT	5-20 PSI	675,000	DIAL CAP	\$105.61
67CD-102	1/4" FNPT	20-50 PSI	1,200,000	DIAL CAP	\$105.61
67CD-103	1/4" FNPT	40-100 PSI	1,000,000	DIAL CAP	\$105.61
67CN-106	1/4" FNPT	10 PSI	400,000	NON-ADJUSTABLE	\$111.46
67CN-104	1/4" FNPT	15 PSI	600,000	NON-ADJUSTABLE	\$111.46
67CN-105	1/4" FNPT	20 PSI	750,000	NON-ADJUSTABLE	\$111.46



Commercial/Industrial High Pressure Regulators

The 64SR series has an internal relief valve, which allows it to be used as a final stage regulator or a first stage regulator.

Item ID	Inlet/Outlet	Pressure Outlet	BTU/H	List
64-33	1/2" FNPT	3-15 PSI	2,625,000	\$250.00
64-35	1/2" FNPT	5-35 PSI	3,600,000	\$250.00
64-36	1/2" FNPT	30-60 PSI	4,150,000	\$250.00
64-222	1/2" FNPT	35-100 PSI	5,250,000	\$250.00
64SR-21	1/2" FNPT - W/ INTERNAL RELIEF	3-15 PSI	2,625,000	\$277.64
64SR-23	1/2" FNPT - W/ INTERNAL RELIEF	5-35 PSI	3,600,000	\$277.64



Threaded Internal Valves

Meant for various applications, including the use in the vapor and liquid lines of bobtails, transports, and stationary tanks.

Item ID	Description	Closing Flow	List
C4071005*	1-1/4" MNPT X 1-1/4" FNPT - VALVE ONLY	50 GPM	\$571.24
C407M105*	1-1/4" MNPT X 1-1/4" FNPT - W/ MANUAL LATCH	50 GPM	\$694.08
C477-16-25**	2" MNPT X 2" FNPT - VALVE ONLY	250 GPM	\$1,590.56
C477-24-37***	3" MNPT X 3" FNPT - VALVE ONLY	375 GPM	\$1,791.28

*Available in 30, 50, and 80 GPM closing flows. **Available in 100, 150, and 250 GPM closing flows. ***Available in 160, 265, 375, and 460 GPM closing flows.



Tee Body Internal Valves

This unit is designed with two outlets, bottom and side. The side outlet permits installing horizontal piping immediately adjacent to the tank without the need for extra pipe fittings. Either connection can be used for truck filling or withdrawal. The C471 Series is used primarily on bobtails and transport trucks.

Item ID	Description	Closing Flow	List
C471-16-25*	2" MNPT X 2" FNPT - VALVE ONLY	250 GPM	\$2,066.46
C471-24-37**	3" MNPT X 3" FNPT - VALVE ONLY	375 GPM	\$2,668.92



C471 SERIES

Flanged Internal Valves

Used on bobtail, transport, and in-line applications. The C483 Double Flange is designed for special applications where the pump must be lowered to clear the truck frame.

Item ID	Description	Closing Flow	List
C484-24-40*	3" SINGLE FLANGE - VALVE ONLY	400 GPM	\$4,192.78
C483-24-40*	3" DOUBLE FLANGE - VALVE ONLY	400 GPM	\$4,346.94
C404-32-60**	4" SINGLE FLANGE - VALVE ONLY	600 GPM	\$4,830.44



TYPE C484-24

TYPE C483-24

*Available in 160, 250, & 400 GPM closing flows.

**Available in 340, 400, 600, 800, and 1,000 GPM closing flows.

Internal Valve Accessories

These internal valve accessories allow for remotely opening and closing of internal valves. Internal valves are not included.



Item ID	Fits Internal	Description	List
P341	C407-10 SERIES (1-1/4")	LATCH/RELEASE	\$130.30
P389	C407-10 SERIES (1-1/4")	PNEUMATIC ACTUATOR	\$316.48
P631	C407-10 SERIES (1-1/4")	PNEUMATIC ACTUATOR	\$529.06
P340	C477 & C471 SERIES (2" & 3")	LATCH/RELEASE	\$145.54
P639	C477 & C471 SERIES (2" & 3")	PNEUMATIC ACTUATOR	\$462.92
P613	C484-24 SERIES (3" SINGLE FLANGE)	PNEUMATIC ACTUATOR	\$647.48
P623	C483-24 SERIES (3" DOUBLE FLANGE)	PNEUMATIC ACTUATOR	\$703.98
P313	C404-32 SERIES (4" SINGLE FLANGE)	LATCH/RELEASE	\$707.50
P614	C404-32 SERIES (4" SINGLE FLANGE)	PNEUMATIC ACTUATOR	\$709.70



P623



P313



P614

Fisher Product Line

Emergency Shutoff Valves

Snappy Joe N550 Series Emergency Shutoff Valves are designed for in-line installations, usually near a bulkhead. The valves provide a means to shutoff gas in the event of a hose rupture or piping break to help avoid massive product loss of LPG or NH3.

Item ID	Description	GPM @ 1 PSIG	GPM @ 2 PSIG	List
N551-10	1-1/4" FNPT X 1/4" FNPT	50	75	\$886.66
N551-16	2" FNPT X 2" FNPT	75	115	\$1,861.24
N551-24	3" FNPT X 3" FNPT	195	275	\$2,556.30

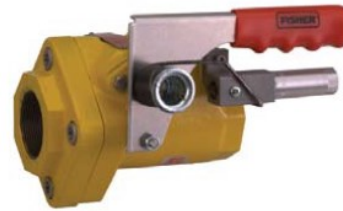


TYPE N550 (VALVE CLOSED)

Emergency Shutoff Valve Accessories

These accessories allow ESV's to be closed remotely by cable or air.

Item ID	Description	List
P164B	CABLE RELEASE	\$499.06
P327D	PNEUMATIC RELEASE	\$311.92
P539A	PNEUMATIC ACTUATOR	\$756.72
T1139599012	3-WAY CONTROL VALVE	\$945.14
PECV664	EMERGENCY SHUTOFF BOX	\$415.26
503112	3-WAY AIR SWITCH	\$334.00
P551	SPRING REPAIR KIT	\$210.40



TYPE N550 WITH TYPE P327D
(N550 NOT INCLUDED)



TYPE N550 WITH TYPE P539A
(N550 NOT INCLUDED)



PECV664

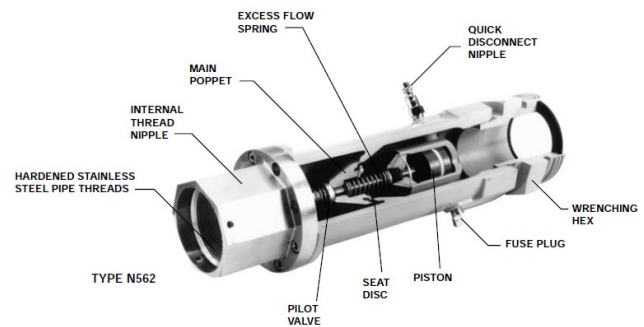


503112
Replacement switch
for PECV664.

Emergency Shutoff Valves for Railroad Tank Cars

Snappy Joe N562 Series Emergency Shutoff Valves are designed for railcar protection and are attached to the shutoff valves on railroad tank cars. Typically, three N562's are required - two on the liquid lines and one on the vapor line.

Item ID	Description	List
N562-16	2" FNPT X 2" FNPT	\$3,766.70
N562-26	2" FNPT X 3-1/4" M. ACME	\$3,766.70



TYPE N562

Internal Relief Valves for Bobtails & Transports

Item ID	Description	List
H722-250*	2" MNPT - 250 PSI	\$574.70
H733-250*	3" MNPT - 250 PSI	\$1,304.46



TYPE H722 OR H732

*Available in 250, 265, & 275 PSI.

Internal Relief Valves for Stationary Tanks

Item ID	Description	List
H284-250*	2" MNPT - 250 PSI	\$825.38



TYPE H282

*Available in 250 & 275 PSI.
Also available in stainless steel.

Fisher Product Line

Globe & Angle Valves

Globe Valve	Angle Valve	Description	List
N301-06	N401-06	3/4" FNPT X 3/4" FNPT	\$274.28
N301-08	N401-08	1" FNPT X 1" FNPT	\$285.42
N310-10	N410-10	1-1/4" FNPT X 1-1/4" FNPT	\$472.04
N310-16	N410-16	2" FNPT X 2" FNPT	\$691.26
N310-24	N410-24	3" FNPT X 3" FNPT	\$2,270.30



Globe Valve



Angle Valve

External Relief Valves

All working parts on these valves are outside of the container and must be protected from damage.

Item ID	Description	List
H110-250	1/4" MNPT - 250 PSI - ASME	\$42.92
H110-312	1/4" MNPT - 312 PSI - ASME	\$42.92
H185-250	3/4" MNPT - 250 PSI - ASME	\$117.46
H148	1/2" MNPT - 375 PSI - DOT OR HYDROSTATIC RELIEF	\$69.90
H173	3/4" MNPT - 375 PSI - DOT OR HYDROSTATIC RELIEF	\$68.50
H123	1/4" MNPT - 375 PSI - HYDROSTATIC RELIEF	\$44.60
H124	1/4" MNPT - 450 PSI - HYDROSTATIC RELIEF	\$43.60
H144	1/2" MNPT - 450 PSI - HYDROSTATIC RELIEF	\$69.20
H174	3/4" MNPT - 450 PSI - HYDROSTATIC RELIEF	\$78.80



TYPE H185



TYPE H100

Excess Flow Valves

Excess flow valves are intended to close upon excessive discharge of vapor or liquid resulting from a break in the hose or piping system. They are used to protect tank and piping systems.

Item ID	Description	Closing	List
F100	3/4" MNPT X 3/4" FNPT - BRASS	8.4 GPM	\$43.66
F105	1-1/4" MNPT X 1-1/4" FNPT - BRASS	55 GPM	\$126.98
F130	1" FNPT X 1" FNPT - BRASS	25 GPM	\$362.16
F131	1-1/2" FNPT X 1-1/2" FNPT - BRASS	60 GPM	\$827.06
F133	2" FNPT X 2" FNPT - BRASS	155 GPM	\$677.12
F134	1-1/2" MNPT/1" FNPT X 1" FNPT - BRASS	28 GPM	\$962.96
F135	2-1/2" MNPT/1-1/2" FNPT X 1-1/2" FNPT - BRASS	60 GPM	\$1,019.14
F191	2" MNPT X 2" MNPT/1-1/4" FNPT - STEEL	105 GPM	\$621.88
F195	3" MNPT X 2" MNPT - STEEL	260 GPM	\$855.42
F199	3" MNPT X 3" MNPT/2" FNPT - STEEL	260 GPM	\$1,023.68



F100 SERIES



TYPE F134



TYPE F190



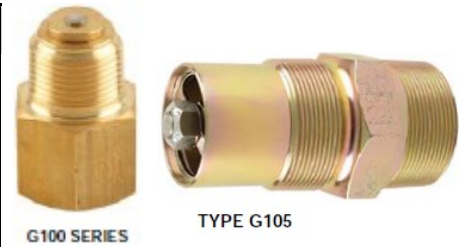
TYPE F130

Fisher Product Line

Back Check Valves

These back check valves allow flow in only one direction. These valves come in a metal-to-metal or soft seat as indicated below.

Item ID	Description	Seat	List
G100	3/4" MNPT X 3/4" FNPT - BRASS	METAL	\$44.22
G101	1-1/4" MNPT X 1-1/4" FNPT - BRASS	METAL	\$86.84
G102	2" MNPT X 2" FNPT - BRASS	METAL	\$281.60
G109	2" FNPT X 2" FNPT - BRASS	METAL	\$625.08
G105	2" MNPT X 2" MNPT/1-1/4" FNPT - STEEL	SOFT	\$514.10
G106	3" FNPT X 2" MNPT - STEEL	SOFT	\$837.64
G107	3" MNPT X 3" MNPT/2" MNPT - STEEL	SOFT	\$881.18
G201-10	1-1/4" FNPT X 1-1/4" FNPT W/ FLOW INDICATOR	SOFT	\$1,147.16
G201-16	2" FNPT X 2" FNPT W/ FLOW INDICATOR	SOFT	\$1,334.10
G201-24	3" FNPT X 3" FNPT W/ FLOW INDICATOR	SOFT	\$2,246.88



Rotary Gauges

Rotary Gauges can be used on stationary or mobile tanks to visually indicate the amount of LP-Gas or NH3 in the container.

Length	>1200 Gallons	≤1200 Gallons	List
68"	J31L-1	J31S-1	\$706.56
69" to 92"	J31L-2	J31S-2	\$799.88
93" to 108"	J31L-3	J31S-3	\$802.60
109" to 140"	J31L-3L	J31S-3L	\$860.26
Dial Only	P323	P322	\$74.98



Cylinder Filling Valve

The N201 stops the gas supply when specified fill weight is reached. Operated by air pressure, it is designed for beam type scales and requires no electrical or mechanical power. This unit comes completely assembled.

Item ID	Description	List
N201	FILLS DOT CYLINDERS BY WEIGHT	\$2,213.98



Backpressure Valves

These valves are soft seated, holding a differential back pressure on liquid meters.

Item ID	Description	List
N120-06-3	3/4" FNPT - 10-20 PSI	\$649.72
N120-08-3	1" FNPT - 10-20 PSI	\$649.72



Filler Hose Adaptor

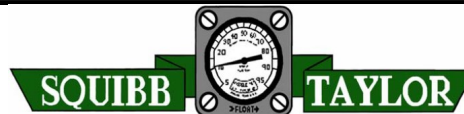
Allows the filling hose to be removed when the filler valve fails to close. In this event, the filler valve should be repaired as soon as possible.



Item ID	Description	List
M570	1-3/4" M. ACME X 1-3/4" F. ACME	\$159.46

Squibb Taylor Product Line

Service Valves



Item ID	Description	List
AL409P	3/4" MNPT X 3/4" FNPT - NO EXCESS FLOW - LIQUID OR VAPOR SERVICE	\$223.60
AL409EP	3/4" MNPT X 3/4" FNPT - 15 GPM EXCESS FLOW - LIQUID OR VAPOR SERVICE	\$273.78



AL409P

Hose Swivel

Allows for easier handling of the hose and extended service life.

Item ID	Description	List
106-1000	3/4" FNPT X 3/4" MNPT	\$382.80
108-1000	1" FNPT X 1" MNPT	\$329.80
110-1000	1-1/4" FNPT X 1-1/4" MNPT	\$559.64



Quick-Acting Hose End Valves

Minimizes the chance of accidental opening.

Item ID	Description	List
AL416P	1/2" FNPT	\$296.68
AL417P	3/4" FNPT	\$279.30
AL344P	1" FNPT	\$555.86

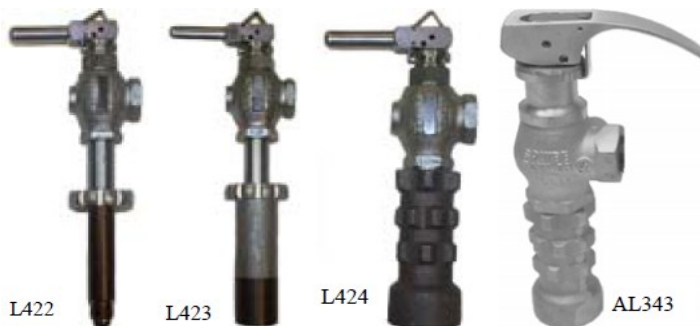


AL417P

Low Emission Hose End Valves

These hose end valves emit less than 4 cc's at disconnect.

Item ID	Description	List
L422	3/4" FNPT X FPOL	\$843.72
L423	3/4" FNPT X F. QCC	\$995.84
L424	3/4" FNPT X 1-3/4" F. ACME	\$682.32
AL343P	1" FNPT X 1-3/4" F. ACME	\$669.82
AL362P	1-1/4" FNPT X 1-3/4" F. ACME	\$682.58



L422

L423

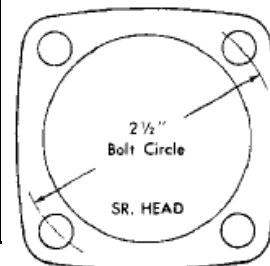
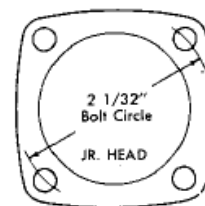
L424

AL343

Float Gauges - 4 Bolt

These float gauges are for tanks requiring 4-bolts for mounting. Special configurations are available.

Gauge Type	*Tank Diameter	Typical Tank Size	Top Mount	45 Angle	Side or End	List
JUNIOR	24"	120 GALLONS	JA124I	JC124B	JD080A	\$75.80
JUNIOR	30"	250 OR 320 GAL.	JA154I	JC154B	JD100F	\$75.80
JUNIOR	37"	500 GALLONS	JA192I	JC190B	JD120D	\$90.66
JUNIOR	41"	1000 GALLONS	JA206I	JC210B	JD140D	\$90.66
SENIOR	24"	120 GALLONS	SA130A	SC130B	SD080D	\$101.92
SENIOR	30"	250 OR 320 GAL.	SA160A	SC160A	SD100C	\$88.16
SENIOR	37"	500 GALLONS	SA194A	SC194D	SD120G	\$90.22
SENIOR	41"	1000 GALLONS	SA214A	SC214C	SD140A	\$90.34

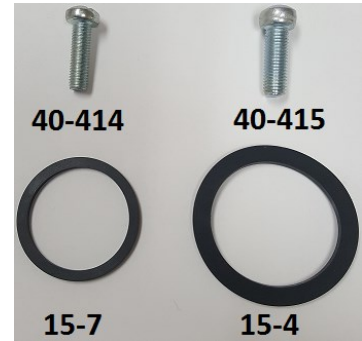


Gauges for tank diameters not listed may require special orders. *Refer to page 70 for Trinity Tank Diameters.

Float Gauge Accessories

The drill guide was designed to precisely guide the drill bit through broken gauge screws.

Item ID	Description	List
JRDG	JUNIOR DRILL GUIDE	\$106.90
SRDG	SENIOR DRILL GUIDE	\$110.66
40-414	JUNIOR GAUGE SCREW	\$0.94
40-415	SENIOR GAUGE SCREW	\$0.98
15-7	JUNIOR GAUGE GASKET	\$0.76
15-4	SENIOR GAUGE GASKET	\$0.76



*Not actual size.

Float Gauges - Threaded

Tank Diameter	1" MNPT	1-1/4" MNPT	List
24"	HA130A	TA130A	\$85.80
30"	HA160A	TA160A	\$85.80
37"	HA194A	TA194A	\$96.66
41"	HA210A	TA210A	\$96.66



Gauges for tank diameters not listed may require special orders. Refer to page 70 for Trinity Tank Diameters.

Replacement Dials



130012
Guide Hole @ 94%
Percentages 5 - 94
Above Ground



130009
Guide Hole @ 5%
Percentages 5 - 94
Above Ground



130022 - 2701 R3D Dial
Guide Hole @ 5%
Percentages 5 - 94
Above Ground



130023 - 2701 R3D Dial
Guide Hole @ 30%
Percentages E-90
Above Ground



130021
Jr. Tabbed
Percentages 5 - 94
Above Ground



130037
Sr. Tabbed
Percentages 5 - 94
Above Ground



5909
Jr. Tabbed
Percentages 5 - 94
Above Ground



5986
Sr. Tabbed
Percentages 5 - 94
Above Ground



130084
Jr. Tabbed
Percentages 10 - 80
420# Vertical

*For Snap-On Non-Remote:
5364S01951
*For Snap-On Remote-Ready:
130066



5714S02591
Snap-On
V = E-F H = OK-ADD
Lift Truck
*For screw on version:
5343S-2591



3181S17039
Jr. Universal
Percentages 5-94
Glue-On Replacement



3180S17001
Sr. Universal
Percentages 5 - 94
Glue-On Replacement



Base Mount Pumps

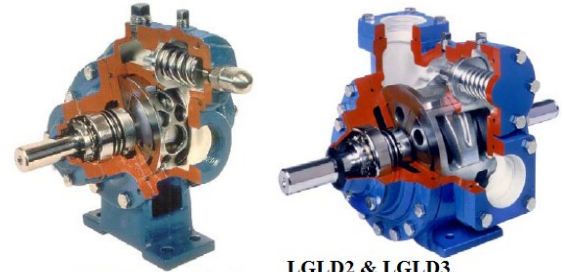
These sliding-vane pumps range from 1" (bottle filling applications) to 3" (storage tank applications). Order the LGF1PC-LF (new style) 1" pump if you have a motor mount set up. If you want to go with a pump mount set up, go with the LGF1PC.

Item ID	Description	Shaft	RPM	List
LGF1PC-LF	1" FNPT - LESS FOOTMOUNT	11/16"	1,750	\$2,798.78
LGF1PC	1" FNPT - W/ FOOTMOUNT	11/16"	1,750	\$2,863.78
LGL125	1-1/4" FNPT - BASE MOUNT	7/8"	1,750	\$3,317.88
LGL150	1-1/2" FNPT - BASE MOUNT	7/8"	1,750	\$3,579.58
LGLD2	2" FNPT - BASE MOUNT	1-1/8"	640	\$3,964.00
LGLD3	3" FNPT - BASE MOUNT	1-1/8"	640	\$5,884.74
LGLD4	4" FNPT - BASE MOUNT	1-1/8"	640	\$8,597.04



LGF1PC-LF

LGF1PC



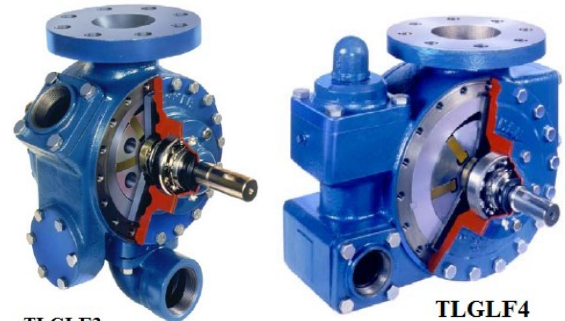
LGL125 & LGL150

LGLD2 & LGLD3
(Shown with Double Shaft)

Truck Pumps

These pumps are equipped with a flanged inlet to mate up to flanged internal valves. There are various outlet and auxiliary intake configurations available.

Item ID	Description	Shaft	RPM	List
TLGLF3	3" 300-LB FLANGE X 2" NPT	1-1/8"	870	\$5,297.52
TLGLF4	4" 300-LB FLANGE X 2" NPT	1-1/4"	800	\$8,797.24



TLGLF3

TLGLF4

Bypass Valves

Designed to protect pumps and other system components from excessive pressure damage.

Item ID	Description	List
BV-34	3/4" FNPT - 71-100 PSI	\$479.54
BV-1	1" FNPT - 71-100 PSI	\$489.30
BV-114	1-1/4" FNPT - 71-125 PSI	\$657.10
BV-112	1-1/2" FNPT - 71-125 PSI	\$699.42
BV-2	2" FNPT - 91-125 PSI	\$1,079.58



BV-34 & BV1

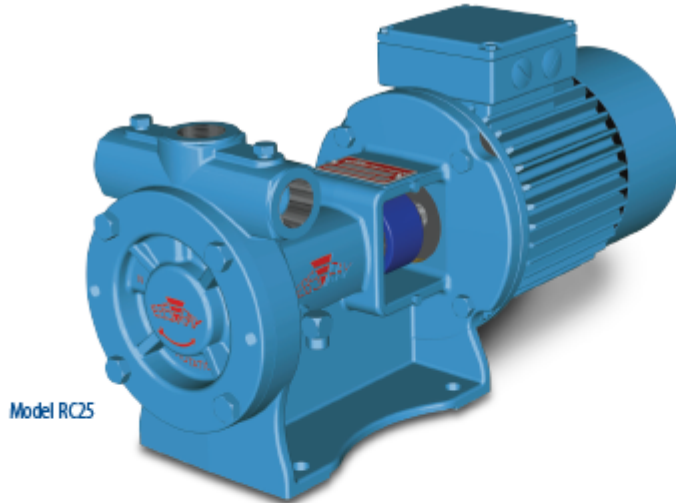
BV114 & Up

Compressors

Item ID	Description	List
LB361CO	COMPRESSOR W/ FLYWHEEL & OIL PRESSURE GAUGE ONLY	\$18,990.00
LB361LU	COMPRESSOR W/ BASE, 4-WAY VALVE, GUARD, & LIQUID TRAP	\$32,718.00
LB361LC	COMPRESSOR W/ BASE, 4-WAY VALVE, GUARD, LIQUID TRAP & MOTOR	\$42,558.00



Regenerative Turbine Pumps (Ebsray)



Model RC25

Design

The Ebsray RC Series Regenerative Turbine Pumps are designed and precision-built for high-pressure transfer of LPG, autogas, propane, and butane.

Applications

- LPG Autogas dispensers, single or two hoses (RC25)
- Industrial dispensing
- Autogas refueling
- Marine dispensing
- Portable tanks
- Cylinder filling
- Forklift refueling
- Direct burner or vaporizer feed

Features & Benefits

- Quiet, vibration-free operation
- Low maintenance, single-stage Impeller
- Close coupled to standard NEMA C-face motors. IEC C-face adapters available.
- Simple installation with C-face close coupled mounting
- Versatile 3-port arrangement, self-venting design
- Bypass valve connection port direct on pump
- Balanced mechanical seal, unique cartridge design for simplicity of assembly/maintenance
- Throttle bushing for secondary sealing

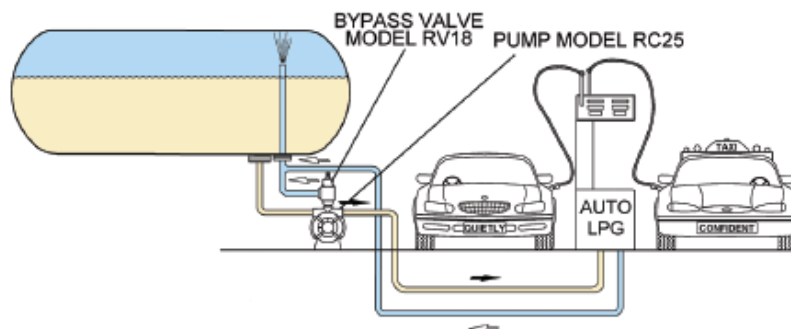
Assured Quality & Performance

ISO 9001 Quality System assures compliance with the high safety and quality standards demanded by the LPG industry

Pumps are listed by Underwriters Laboratories for LP-gas service.

Item ID	Description	In/Out	GPM	Max Dif. Press.	HP	Phase	RPM	Frame	List
RC20-1	PUMP/MOTOR ASSY W/ BYPASS	1" FNPT	15	175 PSI	3	3	3500	182TC	\$7,496.64
RC20-2	PUMP/MOTOR ASSY W/ BYPASS	1" FNPT	15	175 PSI	3	1	3500	184TC	\$8,884.26
RC25-1	PUMP/MOTOR ASSY W/ BYPASS	1" FNPT	25	175 PSI	5	3	3500	184TC	\$8,919.40
RC25-2	PUMP/MOTOR ASSY W/ BYPASS	1" FNPT	25	175 PSI	5	1	3500	184TC	\$12,567.30

Typical Installations



BLACKMER PARTS LIST

PUMP MODELS: LGF1E, LGB1E, LGF1PE, LGB1PE

Keep with 501-A00 Installation, Operation and Maintenance.

960401

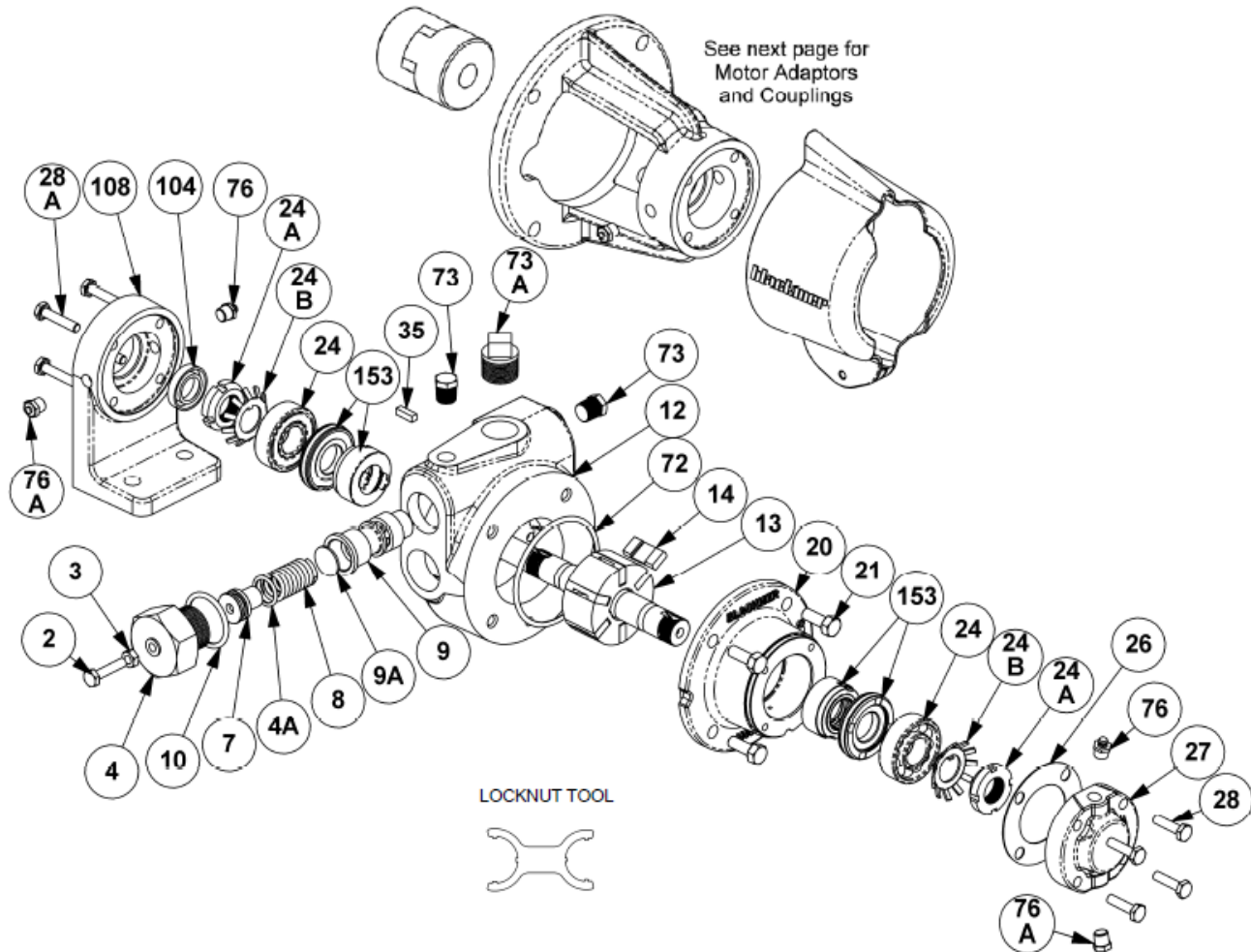
Page 1 of 2

PARTS LIST

501-A01

Section
Effective
Replaces

501
Jun 2014
Apr 2014



Ref. No.	Description	Parts per Pump	Part No.	Ref. No.	Description	Parts per Pump	Part No.
2	Adjusting Screw – Relief Valve (RV)	1	² 432901	24A	Locknut – Bearing	2	903531
3	Locknut – Adjusting Screw	1	² 922811	24B	Lockwasher – Bearing	2	¹ 903532
4	Cover – R/V	1	412901	26	Gasket – Bearing Cover	1	¹ 383075
4A	O-Ring – Spring Guide	1	^{1,2} 711940	27	Bearing Cover	1	043071
7	Spring Guide – R/V	1	² 422901	28	Capscrews – Bearing Cover	4	920080
8	Spring – R/V	1	² 472901	28A	Bracket Mounting Screws	4	920090
9	Valve – R/V	1	² 452901	35	Key – Shaft, Square	1	^{1,4} 909152
9A	Disc – R/V	1	² 442901	72	O-Ring – Head	1	¹ 711941
10	O-Ring – R/V Cover	1	^{1,2} 701965	73	Gage Plug (1/4")	2	908198
12	Cylinder – LGF1, LGB1	1	022914	73A	Gage Plug (3/4")	1	908225
	Cylinder – LGF1P, LGB1P		022915	76	Grease Fitting	2	317815
13	Rotor & Shaft Assembly, Six Vane (Includes Ref. Nos. 24A & 24B)	1	262907	76A	Grease Relief Fitting	2	701992
14	Vane – Duravane	6	^{1,3} 092913	104	Grease Seal	1	¹ 331934
20	Head	1	032905	108	Mounting Foot - LGB1(P)E	1	832913
21	Capscrews – Head	4	920178		Tool - Locknut		903090
24	Ball Bearing	2	¹ 903405		Kit – RV Maintenance		899094
					Kit – Maintenance (6-Vane)		898994

¹ Included in Maintenance Kit.

² Included in RV Kit

³ Install the vanes with the slot facing the direction of rotation.

⁴ Maintenance Kit also includes Woodruff Key 909126 used previously

For Mechanical Seals, use part # 332920. Mechanical seals are included in the maintenance kit.

BLACKMER PARTS LIST

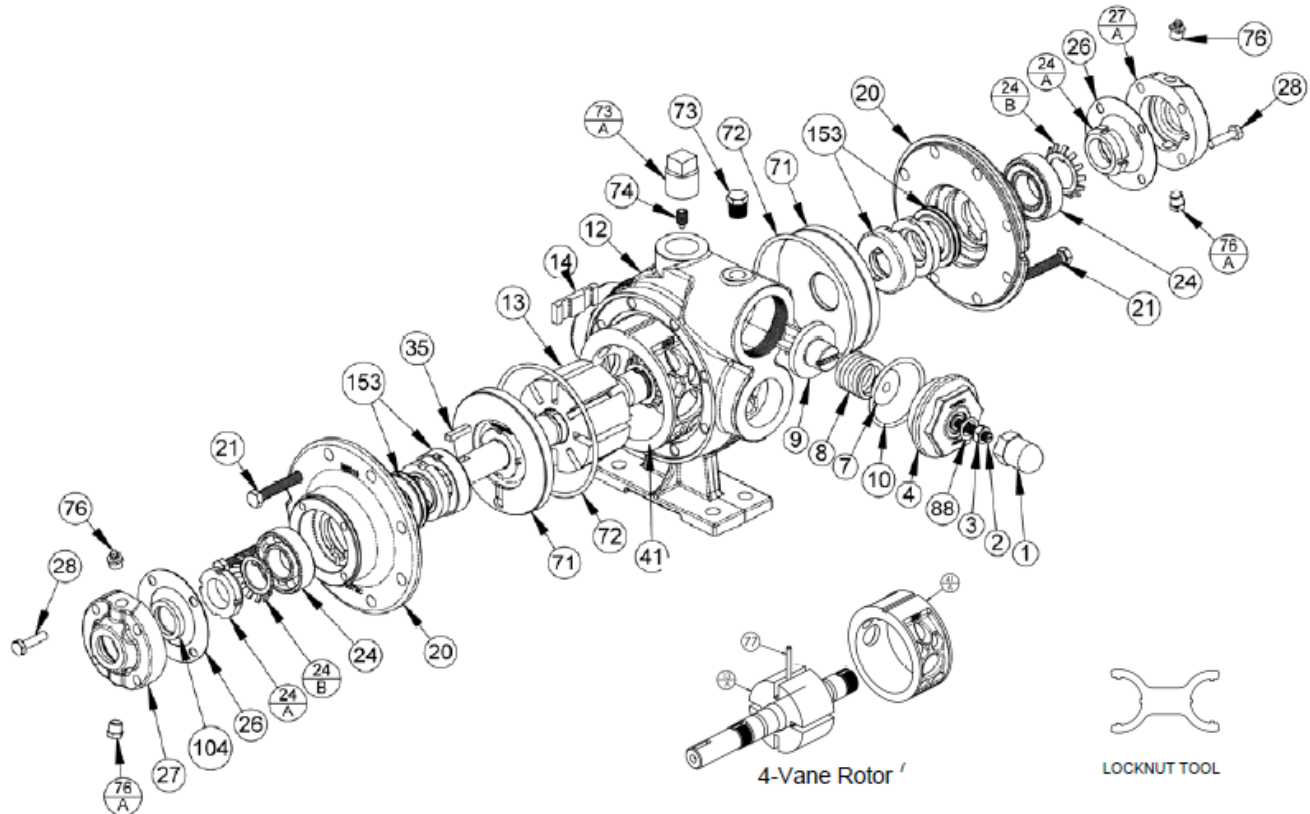
PUMP MODELS: LGRL1.25, LGL1.25, LGL1.5

LGRLF1.25A, LGLF1.25A, LGLF1.5A

Keep with Instructions 501-B00 for Installation, Operation and Maintenance

960410 **PARTS LIST**
Page 1 of 3 **501-B01**

Section	501
Effective	Jun 2014
Replaces	Apr 2013



Ref. No.	Description	Parts per Pump	Part No.	Ref. No.	Description	Parts per Pump	Part No.
1	Cap – Relief Valve (R/V)	1	413200	27A	Bearing Cover – Outboard	1	043071
2	Adjusting Screw – R/V	1	433909	28	Capscrews – Bearing Cover	8	920080
3	Locknut – Adjusting Screw	1	922923	35	Shaft Key ⁵	1	¹ 909152
4	Cover – R/V	1	413076	41	Liner – LGRL(F)1.25 [8 - Vane Only]	1	² 183019
7	Spring Guide – R/V	1	423955		Liner – LGL(F)1.25 [8 - Vane Only]		² 183020
8	Spring – R/V (81 – 150 psi)	1	471428		Liner – LGL(F)1.5 [8 - Vane Only]		² 183310
9	Valve - R/V	1	453077	71	Disc	2	¹ 063075
10	O-Ring – R/V Cover	1	¹ 711924	72	O-Ring – Head	2	¹ 701918
12	Casing with feet (1.25)	1	013075	73	Gage Plug (1/4")	1	908198
	Casing with feet (1.5)		013376	73A	Gage Plug (3/4")	1	⁶ 908225
13	Rotor & Shaft Assembly, Eight Vane (with Ref. Nos. 24A & 24B)	1	² 262300	74	Setscrew – Liner	1	922088
14	Vane – Duravane	8	¹ 093088	76	Grease Fitting	2	317815
20	Head	2	033073	76A	Grease Relief Fitting	2	701992
21	Capscrews – Head	16	920276	88	O-Ring – R/V Cap	1	¹ 701949
24	Ball Bearing	2	¹ 903114	104	Grease Seal	1	¹ 331927
24A	Locknut – Bearing	2	² 903534	—	Tool - Locknut	—	903090
24B	Lockwasher – Bearing	2	¹ 903533	—	Kit - Maintenance [8 Vane]	—	898976
26	Gasket - Bearing Cover	2	¹ 383075	—	Kit - Rebuild LGRL(F)1.25(A) [8 Vane]	—	899076
27	Bearing Cover – Inboard	0-1	043070	—	Kit - Rebuild LGL(F)1.25(A) [8 Vane]	—	899077
				—	Kit - Rebuild LGL(F)1.5(A) [8 Vane]	—	899078

¹ Included in Maintenance Kits and Rebuild Kits ² Included in Rebuild Kits.
⁶ Ref. No. 73A: Older pumps may use a 1/4" plug (pn 908198) or 1/2" plug (pn 908215).
⁷ See page 4 re parts for older pumps fitted with a 4-vane rotor.
⁸ Ref. No. 35: Early pumps used Woodruff Key 909125

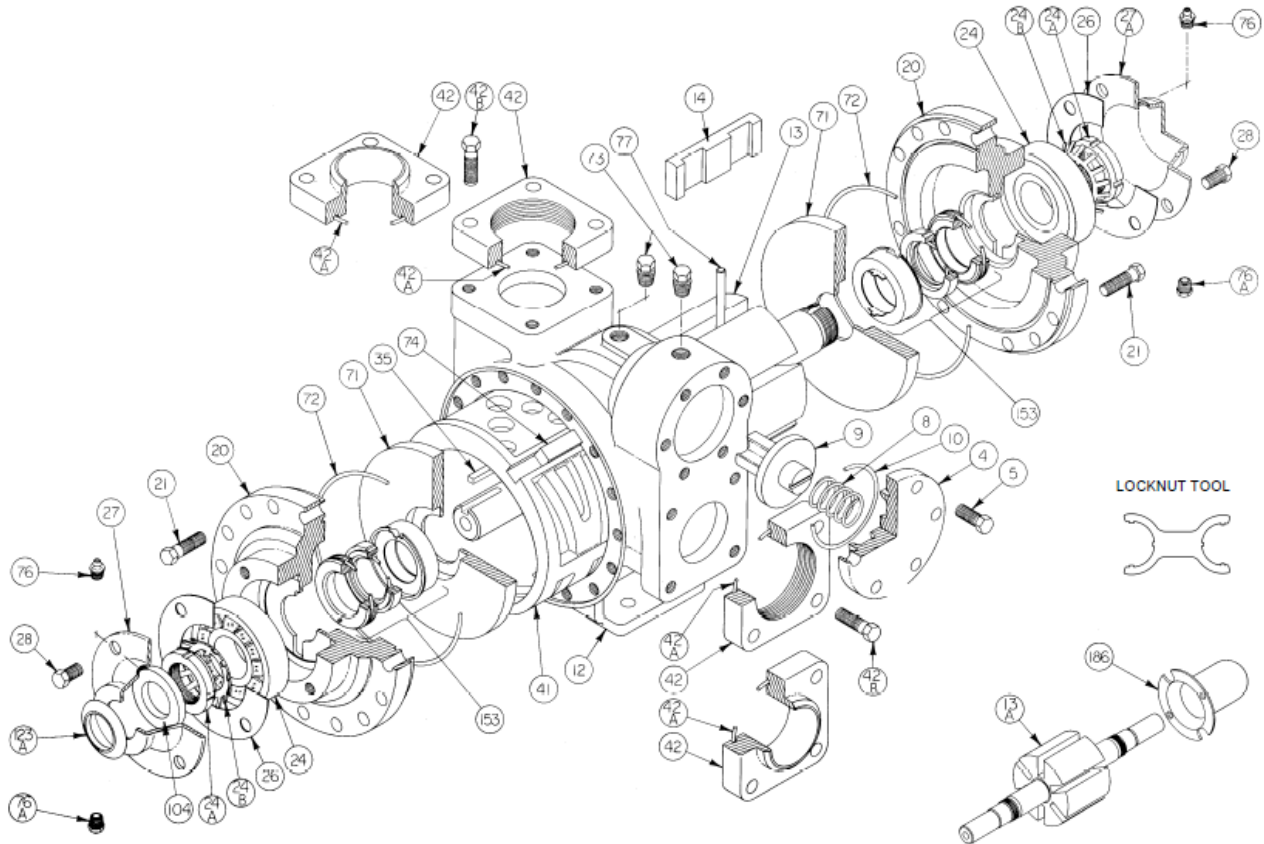
For Mechanical Seals, use part # 333045. Mechanical seals are included in the maintenance kit.

Blackmer Product Line

BLACKMER PARTS LIST

PUMP MODELS: LGLD2E, LGL2E, LGLD3F, LGL3F
and discontinued LGLD3E, LGL3E
Keep with 501-C00 Installation, Operation and Maintenance Instructions

960418 Page 1 of 2	PARTS LIST 501-C01
Section Effective Replaces	501 Jun 2011 May 2009



Ref. No.	Description	Parts Per Pump	Size 2 Part No.	Size 3 Part No.	Ref. No.	Description	Parts Per Pump	Size 2 Part No.	Size 3 Part No.
4	Cover - Relief Valve (R/V)	1	414401	415113	35	Key - Shaft, 1/4" Square	1	^{1,7} 909209	^{1,7} 909209
5	Capscrews - R/V Cover	6	920331	920331	41	Liner	1	² 184405	² 185111
8	Spring - R/V	1	¹ 471423	¹ 475135	42	Flange - NPT	2	654401	655112
9	Valve - R/V	1	454405	455129		Flange - Weld		654405	655102
10	O-Ring - R/V Cover	1	¹ 701919	¹ 701925	42A	O-Ring - Flange	2	¹ 702004	¹ 702002
12	Casing	1	014405	015127	42B	Capscrew - NPT Flange	8	920384	920547
13	Rotor & Shaft Assy. - LGL (Includes Ref. Nos. 24A & 24B)	1	264443	265149		Capscrew - Weld Flange		920351	920510
13A	Rotor & Shaft Assy. - LGLD ⁵ (Includes Ref. Nos. 24A & 24B)	1	² 264445	² 265148	71	Disc	2	¹ 064412	¹ 065112
14	Vane - Duravane (Std.)	6	¹ 091419	¹ 095131	72	O-Ring - Head	2	¹ 702022	¹ 702041
20	Head	2	034416	035128	73	Gage Plug	2	908198	908198
21	Capscrews - Head (Size 2)	32	920351	N/A	74	Key - Liner	1	^{2,8} 183991	² 185191
	Capscrews - Head (Size 3)	40	N/A	920369	76	Grease Fitting	2	317815	317815
24	Ball Bearing	2	¹ 903156	¹ 903166	76A	Grease Relief Fitting	2	701992	701992
24A	Locknut - Bearing	2	² 903521	² 903523	77	Push Rod	3	^{1,8} 123905	^{1,8} 125110
24B	Lockwasher - Bearing	2	¹ 903522	¹ 903524	104	Grease Seal	1	^{1,3} 331918	^{1,3} 331908
26	Gasket - Bearing Cover	2	¹ 383940	¹ 385125	123A	Dirt Shield	1	^{1,3} 701480	N/A
27	Bearing Cover (Inboard) ³	1	041431	041815	186	Shaft Protector (LGLD Models Only)	1	341601	341801
27A	Bearing Cover (Outboard) ⁴	1	041433	041817	—	Tool - Locknut	—	903091	903091
28	Capscrews - Bearing Cover	8 - 12	920285	920285	—	Kit - Maintenance	—	898979	898981
					—	Kit - Rebuild	—	899079	899081

¹ Included in Maintenance Kit and Rebuild Kit ² Included in Rebuild Kit
The following applies to double end shaft pumps (LGLD): ³ Use Two ⁴ Use None
⁵ Double-Ended Rotor & Shaft. ⁶ 2" pushrod is metal, 3" is composite.
⁷ Pumps before April 2008 used Woodruff key 909130, included in Maintenance kits. ⁸ Pump before 1995 require liner key 184407.

For LGLD2 Mechanical Seals, use part # 334439. For LGLD3 Mechanical Seals, use part # 335225.

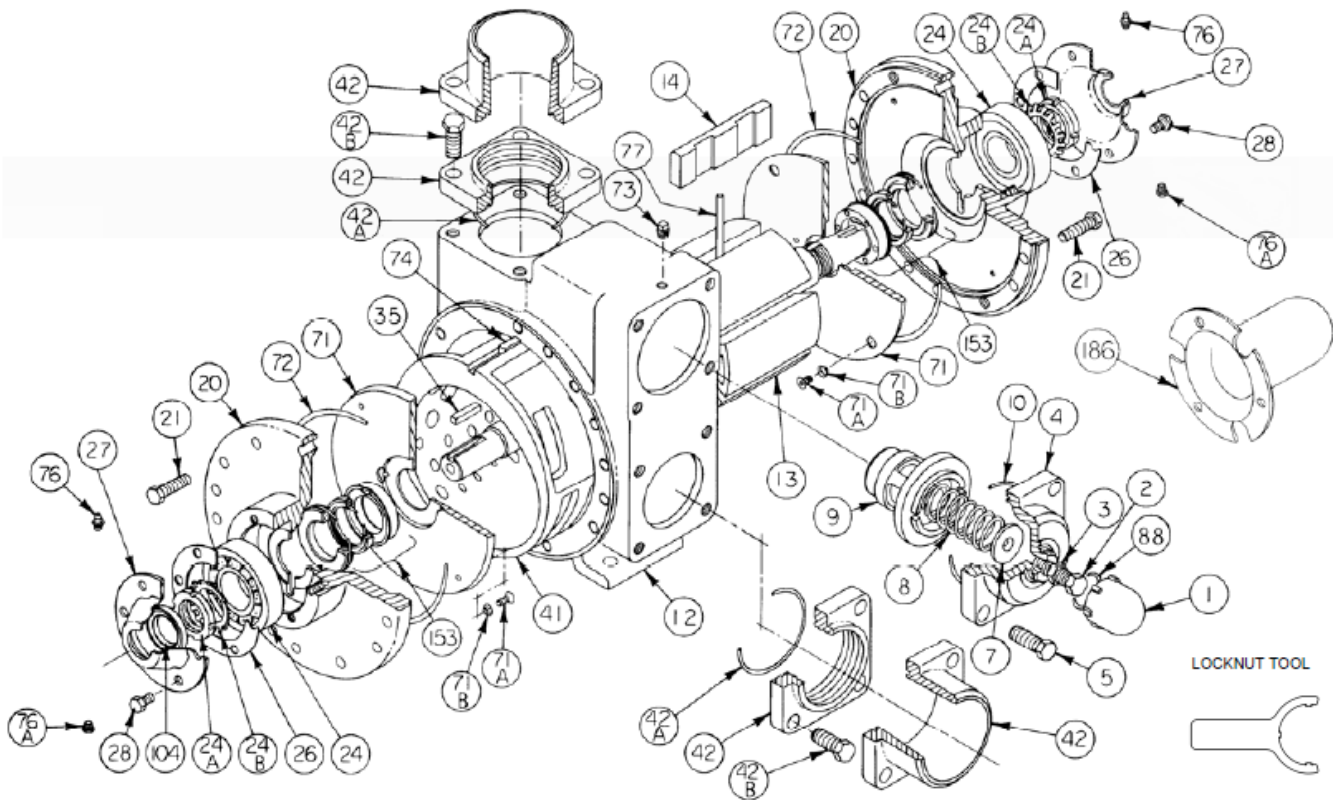
Blackmer Product Line

BLACKMER PARTS LIST PUMP MODEL: LGLD4B

962007 PARTS LIST
Page 1 of 2 501-E01

Keep with Instructions 501-E00 for Installation, Operation and Maintenance

Section 501
Effective Jun 2011
Replaces Jan 2010



Ref. No.	Description	Parts Per Pump	Part No.	Ref. No.	Description	Parts Per Pump	Part No.
1	Cap - Relief Valve (R/V)	1	413957	41	Liner	1	² 182000
2	Adjusting Screw - R/V	1	436310	42	Flange - 3" NPT	1 - 2	652012
3	Locknut - Adjusting Screw	1	432039		Flange - 3" Weld		652007
4	Cover - R/V	1	412001		Flange - 4" Weld		652005
5	Capscrew - R/V Cover	4	920663	42A	O-Ring - NPT, Weld Flange	2	¹ 701937
7	Spring Guide - R/V	1	426355	42B	Capscrew - NPT Flange	8	920663
8	Spring - R/V	1	¹ 472039		Capscrew - Weld Flange		920640
9	Valve - R/V	1	452001	71	Disc	2	¹ 062039
10	O-Ring - R/V Cover	1	¹ 701946	71A	Machine Screw - Disc	8	² 920015
12	Casing	1	012019	71B	Lockwasher - Machine Screw	8	² 909634
13	Rotor & Shaft Asy, Dbl. End (Includes Ref. No. 24A & 24B)	1	² 262041	72	O-Ring - Head	2	¹ 702039
14	Vane - Duravane	6	¹ 092019	73	Gage Plug	2	908198
20	Head	2	032041	74	Key - Liner	1	² 182040
21	Capscrews - Head	28	920532	76	Grease Fitting	2	317815
24	Ball Bearing	2	¹ 903166	76A	Grease Relief Fitting	2	701992
24A	Locknut - Bearing	2	² 903541	77	Push Rod - composite - LGLD4B	3	¹ 122009
24B	Lockwasher - Bearing	2	¹ 903542	88	O-Ring - R/V Cap	1	¹ 701926
26	Gasket - Bearing Cover	2	¹ 385125	104	Grease Seal - LGLD4B	2	¹ 331908
27	Bearing Cover - LGLD4B	2	041815	186	Shaft Protector	1	341801
28	Capscrews - Bearing Cover	12	920285		Tool - Locknut		903092
35	Key - Shaft	1	¹ 909183		Kit - Maintenance		898922
					Kit - Rebuild - LGLD4B		899022

¹ Included in Maintenance Kit and Rebuild Kit ² Included in Rebuild Kit only

For Mechanical Seals, use part # 332050. Mechanical seals are included in the maintenance kit.

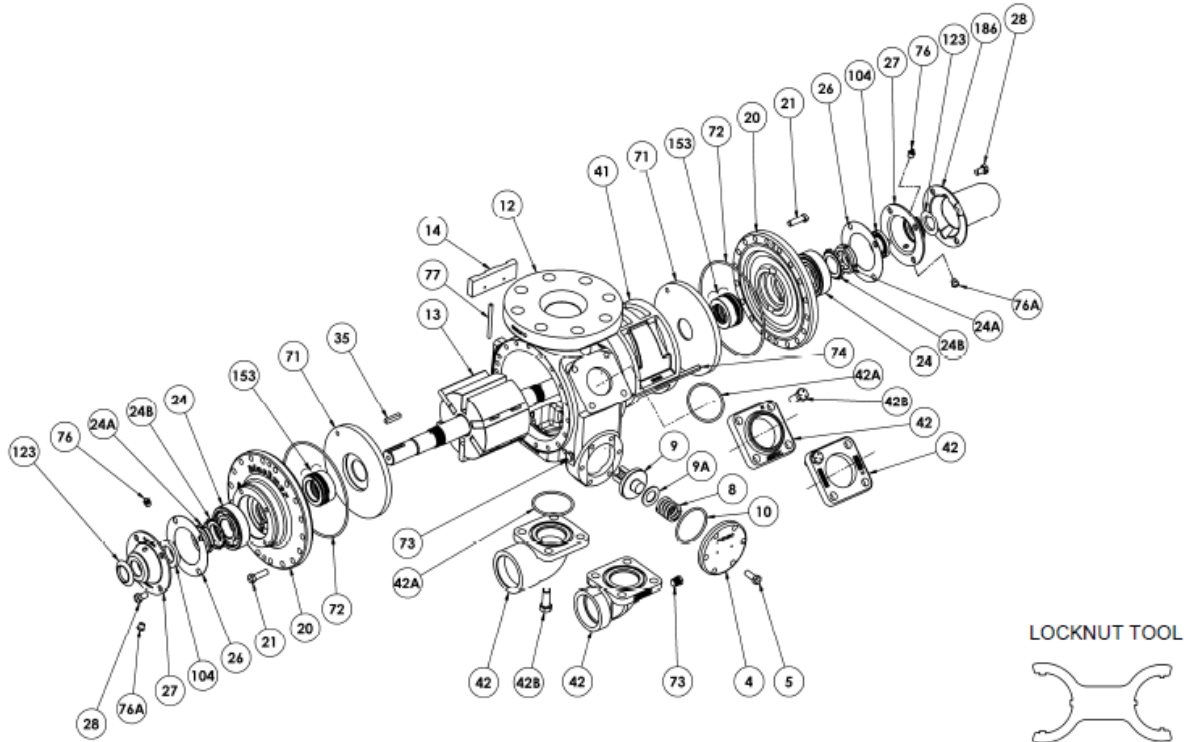
Blackmer Product Line

BLACKMER PARTS LIST PUMP MODEL: TLGLF3C

960426 **PARTS LIST**
Page 1 of 2 **501-D01**

Section 501
Effective Feb 2017
Replaces Jul 2016

Keep this parts list with Installation, Operation and Maintenance Instructions 501-D00



Ref. No.	Description	Parts Per Pump	Part No.	Ref. No.	Description	Parts Per Pump	Part No.
4	Cover - Relief Valve (R/V)	1	415108		Flange - 2" NPT		652010
5	Capscrew - R/V Cover	6	920331		Flange - 2" Slip-on Weld		652024
8	Spring - R/V	1	¹ 471428	42	Flanged Elbow - 2" NPT	1-2	655100
9	Valve - R/V	1	⁴ 451460		Flanged EI - 2" Socket Weld		655109
9A	Relief Valve Shim, .035"	0-1	332907		Blank Flange for Auxiliary Inlet		652036
	Relief Valve Shim, .075"		332937		O-Ring - Flange 2 5/8" x 2 7/8" (current)	2	^{1,3} 702004
10	O-Ring - R/V Cover	1	¹ 701919	42A	O-Ring - Flange 2 1/2" x 2 3/4" (older pumps)	2	¹ 701919
12	Casing	1	015128	42B	Capscrew - Flanges	8	920491
13	Rotor & Shaft Assembly ⁵	1	² 265147	71	Disc	2	¹ 065121
14	Vane - Duravane	6	¹ 095132	72	O-Ring - Head	2	¹ 711923
20	Head	2	035132	73	Gage Plug	2	908198
21	Capscrews - Head	36	920351	74	Key - Liner	1	² 185193
24	Ball Bearing	2	¹ 903156	76	Grease Fitting	2	317815
24A	Locknut - Bearing	2	² 903521	76A	Grease Relief Fitting	2	701992
24B	Lockwasher - Bearing	2	¹ 903522	77	Push Rod	3	¹ 121607
26	Gasket - Bearing Cover	2	¹ 383940	104	Grease Seal	2	¹ 331918
27	Bearing Cover	2	041431	123	Dirt Shield	2	¹ 701480
28	Capscrews - Bearing Cover	8	920285	186	Shaft Protector	1	341601
35	Key - Shaft Current, .25 Sq.	1	¹ 909209	—	Tool - Locknut	—	903091
	Key - Shaft OBS, Woodruff	1	¹ 909130	—	Kit - Maintenance	—	898980
41	Liner	1	² 185101	—	Kit - Maintenance with R/V	—	899225
				—	Kit - Rebuild	—	899080
				—	Kit - Rebuild with R/V	—	899125

¹ Included in Maintenance Kit and Rebuild Kit

² Included in Rebuild Kit

³ Larger O-Ring introduced October 2002

⁴ Additional parts Included in Kits with R/V

⁵ Includes Ref. No. 24A & 24B

For Mechanical Seals, use part # 334439. Mechanical seals are included in the maintenance kit.

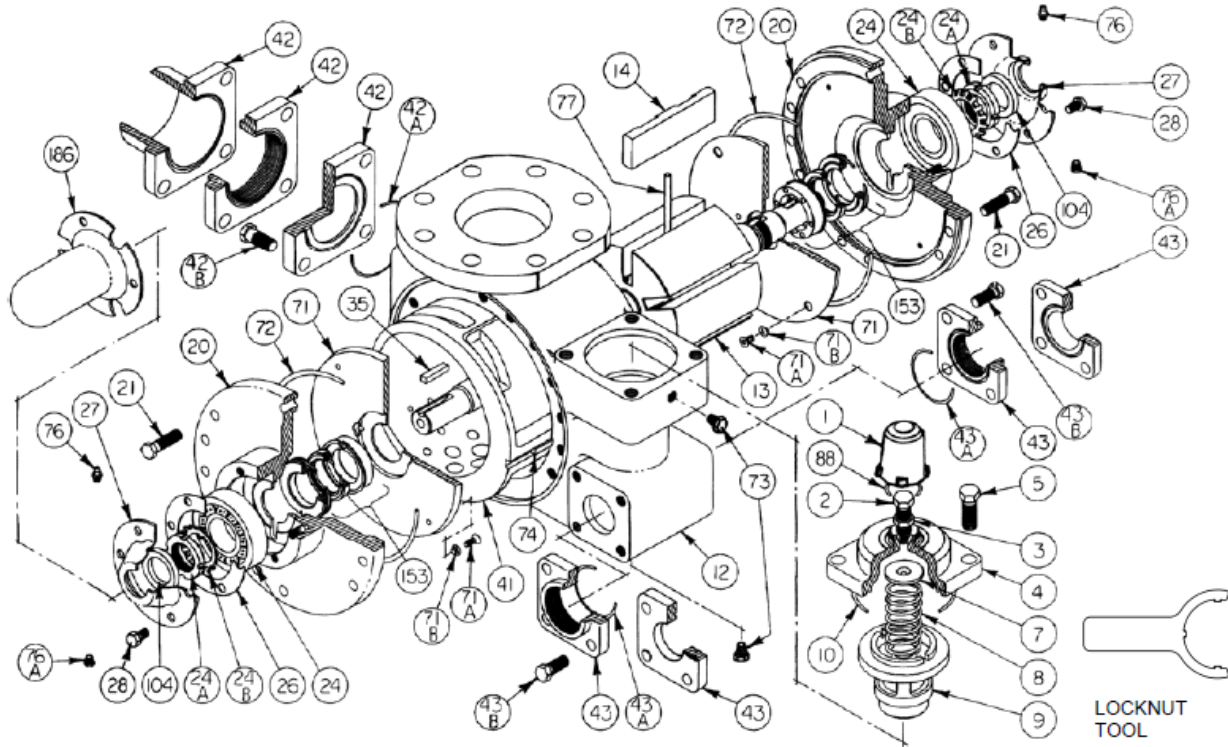
Blackmer Product Line

BLACKMER PARTS LIST PUMP MODEL: TLGLF4B

962011 **PARTS LIST**
Page 1 of 2 **501-E03**

Section	501
Effective	May 2016
Replaces	Jun 2011

Keep with 501-E00 for Installation, Operation and Maintenance Instructions



Ref. No.	Description	Parts Per Pump	Part No.	Ref. No.	Description	Parts Per Pump	Part No.
1	Cap - Relief Valve (R/V)	1	413957	42A	O-Ring – Aux. Inlet Flanges	1	701937
2	Adjusting Screw - R/V	1	436310	42B	Capscrew – 2", 3" NPT Flange	4	920663
3	Locknut - Adjusting Screw	1	432039		Capscrew - 3", 4"		920640
4	Cover - R/V	1	412001		Weld Flange; Blank Flange		
5	Capscrews - R/V Cover	4	920663	TWIN DISCHARGE PORT OPTIONS			
7	Spring Guide - R/V	1	426355	43	Flange - 2" NPT	2	652010
8	Spring - R/V	1	¹ 472039		Flange - 2" Slip-on Weld		652024
9	Valve - R/V	1	452001	43A	O-Ring - 2" Discharge Flanges	2	¹ 702004
10	O-Ring - R/V Cover	1	¹ 701946	43B	Capscrew - Discharge Flange	8	920491
12	Casing	1	012041	71	Disc	2	¹ 062039
13	Rotor & Shaft Asy. (includes Ref. No. 24A & 24B)	1	² 262041	71A	Machine Screw - Disc	8	² 920015
14	Vane - Duravane	6	¹ 092019	71B	Lockwasher - Machine Screw	8	² 909634
20	Head	2	032041	72	O-Ring - Head	2	¹ 702039
21	Capscrews - Head	28	920532	73	Gage Plug	2	908198
24	Ball Bearing	2	¹ 903166	74	Key - Liner	1	² 182040
24A	Locknut - Bearing	2	² 903541	76	Grease Fitting	2	317815
24B	Lockwasher - Bearing	2	¹ 903542	76A	Grease Relief Fitting	2	701992
26	Gasket - Bearing Cover	2	¹ 385125	77	Push Rod - Composite	3	¹ 122009
27	Bearing Cover	2	041815	88	O-Ring - R/V Cap	1	¹ 701926
28	Capscrews - Bearing Cover	12	920285	104	Grease Seal	2	¹ 331908
35	Key - Shaft	1	¹ 909183	186	Shaft, Protector	1	341801
41	Liner	1	² 182000		Tool - Locknut		903092
AUXILIARY INLET OPTIONS					Kit – Maintenance		898922
42	Flange - 3" NPT	1	652012		Kit – Rebuild		899022
	Flange - 2" NPT		652030	¹ Included in Maintenance Kit and Rebuild Kit ² Included in Rebuild Kit			
	Flange - 4" Weld		652005				
	Flange - 3" Weld		652007				
	Flange - Blank		652000				

For Mechanical Seals, use part # 332050. Mechanical seals are included in the maintenance kit.



Coro-Flo Pumps

Ideal for bottle filling, these units come with the pump & motor. Starter sold separately.

Item ID	Description	Inlet/Outlet	HP	List
C10*	PUMP/MOTOR ASSY	1-1/4" FNPT X 1" FNPT	2	\$3,278.06
C12**	PUMP/MOTOR ASSY	1-1/2" FNPT X 1" FNPT	2	\$4,290.00
C13***	PUMP/MOTOR ASSY	1-1/2" FNPT X 1" FNPT	2	\$5,263.78
C14***	PUMP/MOTOR ASSY	1-1/2" FNPT X 1" FNPT	3	\$6,087.48



Max Differential Pressure: *75 PSI, **100 PSI, ***125 PSI

Coro-Flo Replacement Parts

Model	Impeller	Seal Assembly	Motor	Starter
C10	1003-0	113-CXA	4261 (2 HP)	SM-30
C12	1003-2	113-CXA	4261 (2 HP)	SM-30
C13	1003-3	113-CXA	4261 (2 HP)	SM-30
C14	1003-4	113-CXA	2557 (3 HP)	SM-30



Impeller



113-CXA



SM-30

*No thermal protection.

Foot Mounted Pumps

Ideal for Autogas applications, the FF series features flanged connections. This unit is capable of high differential pressures that will allow your filling stations to fill motor fuel tanks consistently.

Item ID	Description	List
FF060*	1-1/2" 300# FLANGE X 1" 300# FLANGE - 7-22 GPM	\$3,815.20
FF075**	1-1/2" 300# FLANGE X 1" 300# FLANGE - 10-40 GPM	\$3,765.20
FF150***	1-1/2" 300# FLANGE X 1" 300# FLANGE - 12-58 GPM	\$4,120.06

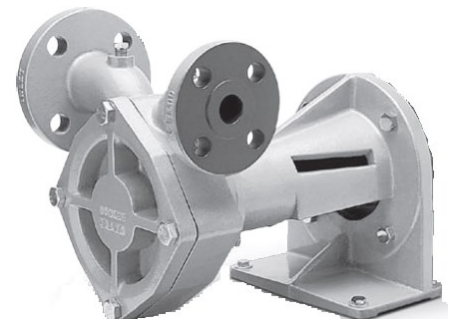


Max Differential Pressure: *150 PSI, **200 PSI, ***250 PSI

Direct Mounted Pumps

The DLF series is also ideal for Autogas applications. This model can be directly coupled to the motor. Eliminates the coupling guard, baseplate, and alignment issues.

Item ID	Description	List
DLF060*	1-1/2" 300# FLANGE X 1" 300# FLANGE - 7-22 GPM	\$4,195.70
DLF075**	1-1/2" 300# FLANGE X 1" 300# FLANGE - 10-40 GPM	\$4,195.70
DLF150***	1-1/2" 300# FLANGE X 1" 300# FLANGE - 12-58 GPM	\$4,544.04



Max Differential Pressure: *150 PSI, **200 PSI, ***250 PSI

High Differential Pressure (HDP) Packages

Ideal for applications requiring high differential pressure, such as Autogas, these units come complete with the pump, motor, mounting/coupling, and bypass. There is also a Variable Frequency Drive (VFD) that allows you to convert single phase power to three phase power. This option is necessary for facilities with single phase power only. Max differential pressure by series is as follows:

FF060 & DLF060: 150 PSI
 FF075 & DLF075: 200 PSI
 FF150 & DLF150: 250 PSI



Item ID	Description	List
HDPFF060-3P53	FF060 PUMP, 101 MOUNTING, 1" BYPASS, & 5 HP THREE PHASE MOTOR	\$7,365.20
HDPDLF060-3P53	DLF060 PUMP, COUPLING, 1" BYPASS, & 5HP THREE PHASE MOTOR	\$7,489.26
HDPFF060-1P53	FF060 PUMP, 101 MOUNTING, 1" BYPASS, & 5 HP MOTOR W/ VFD	\$9,933.08
HDPFF060-1P51	FF060 PUMP, 101 MOUNTING, 1" BYPASS, & 5 HP SINGLE PHASE MOTOR	\$10,503.68
HDPDLF060-1P53	DLF060 PUMP, COUPLING, 1" BYPASS, & 5 HP MOTOR W/ VFD	\$9,628.32
HDPFF075-3P75	FF075 PUMP, 101 MOUNTING, 1" BYPASS, & 7.5 HP THREE PHASE MOTOR	\$7,415.56
HDPFF075-1P75	FF075 PUMP, 101 MOUNTING, 1" BYPASS, & 7.5 HP MOTOR W/ VFD	\$11,347.34
HDPFF150-3P10	FF150 PUMP, 101 MOUNTING, 1" BYPASS, & 10 HP THREE PHASE MOTOR	\$8,553.16
HDPFF150-1P10	FF150 PUMP, 101 MOUNTING, 1" BYPASS, & 10 HP MOTR W/ VFD	\$12,793.56

To order direct mount DLF series pumps, replace FF with DLF in the part number. All parts in this package can be sold separately.

Bypass Valves

Item ID	Description	List
B166-75	3/4" FNPT - 50-150 PSI	\$626.94
B166-1	1" FNPT - 50-150 PSI	\$626.94
B166B-1CAU	1" FNPT - 100-225 PSI	\$626.94



Variable Frequency Drive

Item ID	Description
4204-1	FOR USE W/ 5 HP MOTOR
4204	FOR USE W/ 7.5 HP MOTOR
4204-2	FOR USE W/ 10 HP MOTOR



Lovejoys & Spiders

Item ID	Description	List	Spider	List
906150	HALF COUPLING - 11/16" FOR BLACKMER LGF1P	\$134.54	906155	\$94.84
906151	HALF COUPLING - 5/8" FOR 1HP MOTOR	\$99.58	906155	\$94.84
4X192	LOVEJOY - 7/8" SHAFT DIAMETER - L095	\$40.66	1X407	\$19.82
4X193	LOVEJOY - 1" SHAFT DIAMETER - L095	\$40.66	1X407	\$19.82
6X073	LOVEJOY - 1-1/8" SHAFT DIAMETER - L095	\$46.04	1X407	\$19.82
29HZ04	LOVEJOY - 1" SHAFT DIAMETER - L100	\$59.80	29HZ07	\$32.52
29HY93	LOVEJOY - 1-3/8" SHAFT DIAMETER - L100	\$59.90	29HZ07	\$32.52



Corken Product Line

Truck Pumps

The Z3200 works as a truck pump. The Z4200 is for transports. Various inlet/outlet configurations are available.

Item ID	Description	List
Z3200	3" FNPT X 3" FNPT - 1-1/8" SHAFT - 86-177 GPM	\$4,983.38
Z4200	4" 300# FLANGE X 3" 300# FLANGE - 1-1/4" SHAFT - 208-369 GPM	\$8,491.96



Repair/Re-build Kits

Z2000, ZH2000, ZX2000, ZXH2000 Repair Kit 3193-X1

2-224A	O-ring, Buna-N	1
2-231A	O-ring, Buna-N	2
2754-X	Roller bearing	2
4262-X	Vane driver	3
4428	Vane	6
4431-XA2	Seal assembly	2
4432	Thrust bearing	2
4435	Thrust bearing mounting ring	2
4439	Bearing cap shim (0.002)	8
4439-1	Bearing cap shim (0.010)	2
4439-2	Bearing cap shim (0.020)	2
4441	Grease seal	2
2270	Shaft key	1

Z4200, ZH4200, Z4500 Repair Kit 3197-X1

2-231A	O-ring, Buna-N	1
2-234A	O-ring, Buna-N	2
4460-X	Roller bearing	2
4449-X	Vane driver	5
4448	Vane	6
4464-XA2	Seal assembly	2
4453	Thrust bearing	2
4454	Thrust bearing mounting ring	2
4458	Bearing cap shim (0.002)	8
4458-1	Bearing cap shim (0.010)	2
4458-2	Bearing cap shim (0.020)	2
4463	Grease seal	2
4459	Shaft key	1

Z3200, ZH3200 Repair Kit 3195-X1

2-224A	O-ring, Buna-N	1
2-234A	O-ring, Buna-N	2
2754-X	Roller bearing	2
4262-X	Vane driver	3
4232	Vane	6
4431-XA2	Seal assembly	2
4432	Thrust bearing	2
4435	Thrust bearing mounting ring	2
4439	Bearing cap shim (0.002)	8
4439-1	Bearing cap shim (0.010)	2
4439-2	Bearing cap shim (0.020)	2
4441	Grease seal	2
2270	Shaft key	1

Z2000, ZH2000, ZX2000, ZXH2000 Re-Build Kit 3194-X1 Includes all items in the Repair Kit plus the following:

4414	Cam	1
4427	Sideplate	2

Z3200, ZH3200 Re-Build Kit 3196-X1

Includes all items in the Repair Kit plus the following:

4242	Cam	1
4231	Sideplate	2

Z3500 Re-Build Kit 3196-X2

Includes all items in the Repair Kit plus the following:

5539	Cam	1
3935	Sideplate	2

Z4200, ZH4200, Z4500 Re-Build Kit 3198-X1

Includes all items in the Repair Kit plus the following:

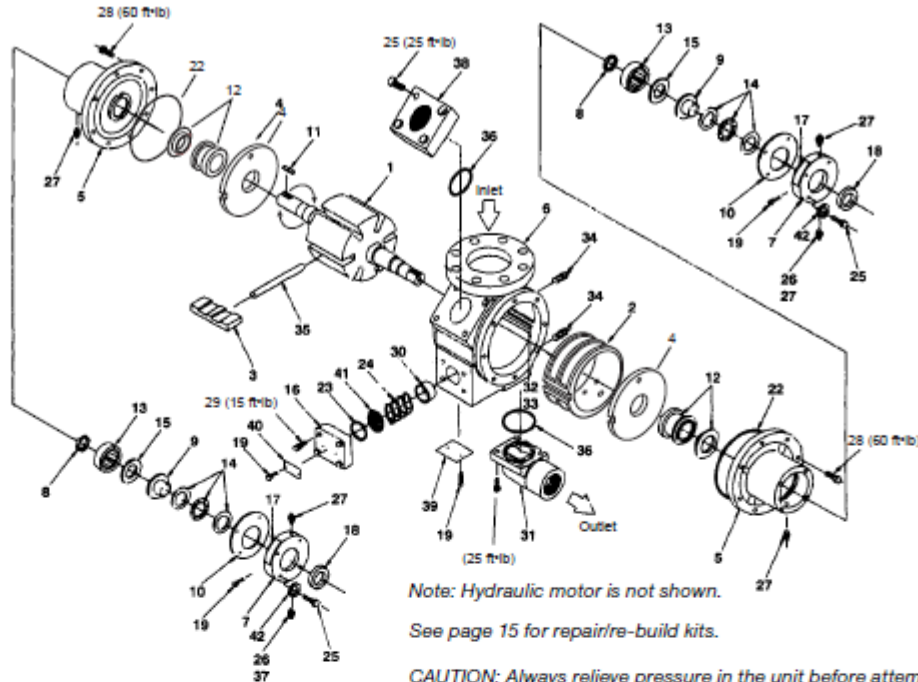
4443	Cam	1
4446	Sideplate	2

Z3500 Repair Kit 3195-X2

2-228A	O-ring, Buna-N	2
2754-X	Roller bearing	2
5554-X	Vane driver	3
3936	Vane	6
4431-XA2	Seal assembly	2
4432	Thrust bearing	2
4435	Thrust bearing mounting ring	2
4439	Bearing cap shim (0.002)	8
4439-1	Bearing cap shim (0.010)	2
4439-2	Bearing cap shim (0.020)	2
4441	Grease seal	2
2270	Shaft key	1
2270	Shaft key	1

All repair and re-build kits have Buna-N O-rings which are suitable for both LPG and NH₃ applications.

Appendix E—Parts Details for Models Z/ZH3200



O-ring Code	
A	Buna-N
B	Neoprene ^{®1}
D	Viton ^{®1}
E	Teflon ^{®1}

Note: Hydraulic motor is not shown.

See page 15 for repair/re-build kits.

CAUTION: Always relieve pressure in the unit before attempting any repairs.

Ref. No.	Part No.	Description	Qty
1.	4495-X2R	Rotor shaft assembly	1
2.	4242	Cam	1
3.	4232	Vane ³	6
4.	4231	Sideplate	2
5.	4488	Head	2
6.	4239	Case	1
7.	4417	Bearing cap	2
8.	4438	Grease seal	2
9.	4435	Mounting ring	2
10.	4439	Bearing shim (.002) red	As req.
	4439-1	Bearing shim (.010) brown	
	4439-2	Bearing shim (.020) yellow	
11.	2270	Shaft key	2
12.	4431-X_2	Mech. seal assembly ²	2
13.	2754	Bearing outer race	2
14.	4432	Thrust bearing assembly	2
15.	2760-244	Retainer ring	2
16.	1174-2	Relief valve cap	1
17.	1359	Lubrication instruction plate	2
18.	4441	Grease seal	2
19.	7012-006SF019E	Screw	8
20.	—	Not shown	—
21.	—	Not shown	—
22.	2-262_	O-ring—case ²	2
23.	2-224_	O-ring—relief valve cap ²	1
24.	1240	Relief valve spring	1
25.	7001-037NC150A	Bolt—3/8-16 x 1-1/2" hex head	16

Ref. No.	Part No.	Description	Qty
26.	2158	1/8" NPT grease zerk	2
27.	1343	1/8" NPT relief fitting	4
28.	7001-050NC150A	Bolt—1/2-13 x 1-1/2" hex head	16
29.	7001-031NC125A	Bolt—5/16-16 x 1-1/4" hex head	4
30.	1241	Relief valve	1
31.	1172-1.5	Outlet flange—1.5" NPT	1
	1172-1.5S	Outlet flange—1.5" WF	1
	1172-2	Outlet flange—2" NPT	1
	1172-2S	Outlet flange—2" WF	1
	1947	Outlet flange—1.5" NPT ell	1
	4243	Outlet flange—2" NPT ell	1
32.	4241	Cam key	1
33.	3253	Cam key pin	1
34.	3442	1/4" NPT pipe plug	1
35.	4262-X	Vane driver	3
36.	2-234_	O-ring—flange ²	1
37.	2159	Lubricap	2
38.	1172-1.5	Aux. inlet flange—1.5" NPT	1
	1172-1.5S	Aux. inlet flange—1.5" WF	1
	1172-2	Aux. inlet flange—2" NPT	1
	1172-2S	Aux. inlet flange—2" WF	1
	1920-3	Aux. inlet flange—blind	1
	4243	Aux. inlet flange—2" NPT ell	1
39.	2649	Nameplate	1
40.	4248	Relief valve nameplate	1
41.	4282	Relief valve shim	As req.
42.	7206-037A	3/8" lockwasher	8

¹Registered trademarks of the DuPont company.

²_ denotes O-ring code. See chart above.

³Slots in vanes must face TOWARDS the direction of rotation

Motor Product Lines

Leeson Explosion-Proof Motors

These motors are explosion-proof and feature an automatic reset thermal feature. The conduit box is also explosion-proof.



Item ID	HP	Phase	Frame	Base?	RPM	Voltage	List
116614.00	1	SINGLE	56C	YES	1800	115-208/230	\$1,295.20
110852.00	1	SINGLE	56C	NO	1800	115-208/230	\$1,295.20
116615.00	1.5	SINGLE	56C	YES	3600	115-208/230	\$1,490.56
114634.00	1.5	THREE	56C	YES	1800	208-230/460	\$1,445.16
121917.00	2	THREE	145T	YES	1800	208-230/460	\$1,743.56
825085.00	3	THREE	182T	YES	1800	230/460	\$2,042.72
825087.00	5	THREE	184T	YES	1800	230/460	\$2,095.60
825089.00	7.5	THREE	213T	YES	1800	230/460	\$3,302.80
825091.00	10	THREE	215T	YES	1800	230/460	\$3,449.76



*Note: Blackmer Pumps work with an 1800 RPM motor. Smith Pumps works with a 3600 RPM motor.

Baldor Explosion-Proof Motors



Below is just a small sample of available explosion-proof motors.

Item ID	HP	Phase	Frame	Base?	RPM	Voltage	List
CL5023A	1	SINGLE	56C	YES	1725	115/230	\$1,255.20
VL5023A	1	SINGLE	56C	NO	1725	115/230	\$1,195.20
35M379X	1.5	SINGLE	56C	YES	1725	115/230	\$1,672.30
35E363N	1.5	SINGLE	56C	YES	1725	115-208/230	\$1,672.30
VL5024A	1.5	SINGLE	56C	NO	1725	115/230	\$1,520.00
EM7034T	1.5	THREE	145T	YES	1725	230/460	\$1,590.06
VL5027	2	SINGLE	184C	NO	1725	115/230	\$2,370.12
EM7037T	2	THREE	145T	YES	1725	230/460	\$1,683.56
EM7042T	3	THREE	182T	YES	1725	230/460	\$1,838.12
EM7044T	5	THREE	184T	YES	1725	230/460	\$2,095.60
EM7047T	7.5	THREE	213T	YES	1725	230/460	\$3,002.80
EM7070T	10	THREE	215T	YES	1725	230/460	\$3,385.56



Motor w/ Base



Motor less Base

*Note: Blackmer Pumps work with a 1725 RPM motor.

Explosion-Proof Switch

Item ID	Description	List
LP-098MF	ON/OFF SWITCH - LEVER TYPE	\$540.50



*Seal off required.

Liqua-Tech Product Line

Liquid Meters



LPM-101



LPM-102



LPM-200

These meters are intended for stationary set ups. The LPM-200 can be used on Bobtails. These units come with the following options:

- Various register heads, including Veeder-Root Printing & Non-Printing, and MidCom Electronic Registers
- Automatic Temperature Compensator
- Pulsars

Item ID	Description	List
090027-102	LPM-101 W/ NON-PRINTING REGISTER- 3/4" OR 1" FNPT - 3-18 GPM	\$3,475.82
090028-101	LPM-102 W/ NON-PRINTING REGISTER - 3/4" OR 1" FNPT - 3-18 GPM	\$4,622.12
090041-101	LPM-150 W/ NON-PRINTING REGISTER - 1-1/2" FNPT - 12-60 GPM	\$10,169.30
090042-101	LPM-200 W/ NON-PRINTING REGISTER - 2" FNPT - 20-100 GPM	\$10,691.74

*The standard units listed above are complete, but do not come with an Automatic Temperature Compensator or Pulsar.

Measuring Chambers

Item ID	Description	List
042075-101	FOR 3/4" & 1" METERS - STANDARD	\$758.48
043260-101	FOR 1-1/4" METERS - STANDARD	\$999.00
083271-101	FOR 1-1/2" METERS - STANDARD	\$1,136.92
045806-101	FOR 2" METERS - STANDARD	\$1,861.36

All Liqua-Tech replacement parts are interchangeable with Neptune Meters.



Gear Trains

Item ID	Description	List
080905-000	FOR 3/4" & 1" METERS - 174 RATIO - SPLIT SPINDLE	\$397.48
080905-012	FOR 3/4" & 1" METERS - 174 RATIO - STANDARD SPINDLE	\$397.48
080905-017	FOR 3/4" & 1" METERS - 43.5 RATIO - STANDARD SPINDLE	\$492.20
084981-000	FOR 1-1/2" METERS - 9.375 RATIO - STANDARD SPINDLE	\$432.92
083502-000	FOR 2" METERS - 3.75 RATIO - CLOVER DRIVER	\$468.30

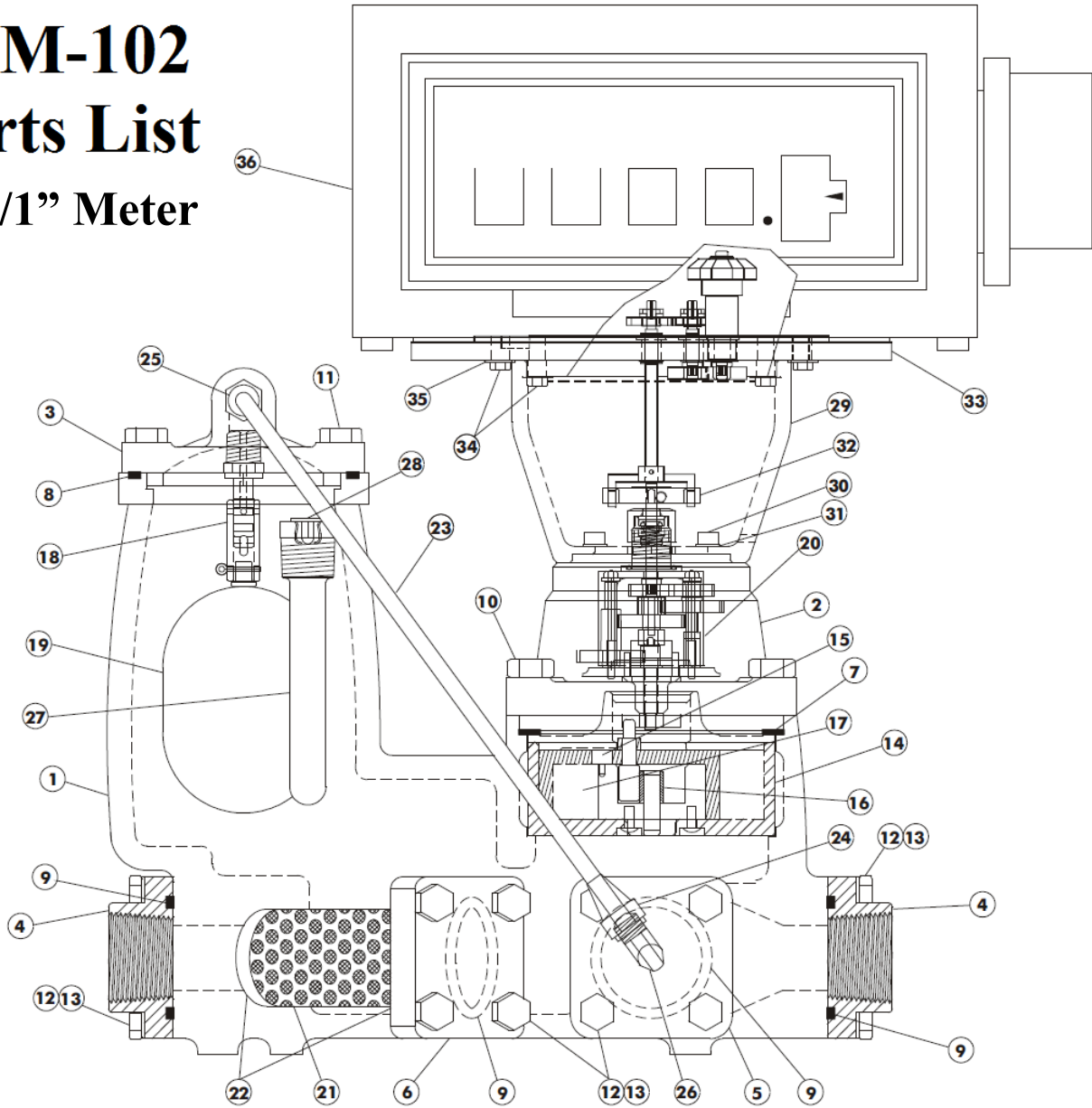


Differential Valves

Item ID	Description	List
100028-011	BLACK WITH O-RING TIP - LIQUA-TECH VERSION	\$117.48
100028-001	SILVER WITH SOFT NOSE TIP - RED SEAL VERSION	\$148.30



LPM-102 Parts List 3/4" / 1" Meter

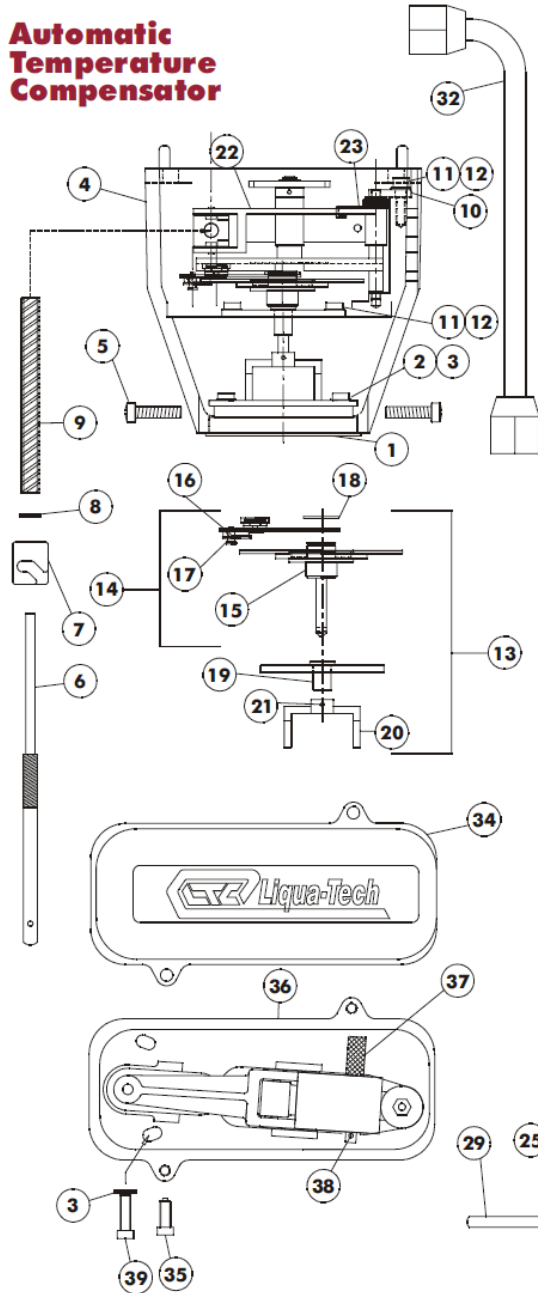


Ref.	Description	Part Number
1	Main case housing	L400027-001
2	Cover, main case	L087173-710
3	Cover, vapor eliminator	L087193-710
4	3/4" Flange inlet/outlet	L087180-710
	1" Flange inlet/outlet	L087180-711
5	Flange, differential valve	L087179-710
6	Flange, strainer	L400025-001
7	Gasket, main case	L004861-016
8	O-ring, vapor eliminator flange	L100139-012
9	O-ring, inlet/outlet flange	L100139-007
10	Bolt, hex head, 7/16 NC x 1 1/4", drilled	L040237-005
	Bolt, hex head, 7/16 NC x 1 1/4", undrilled	L040237-004
11	Bolt, hex head, 3/8-16 NC x 1"	L100067-027
12	Bolt, hex head, 5/16 NC x 1"	L100063-026
13	Lockwasher, split 5/16"	L100121-010
14	Measuring chamber, LPgas, standard	L042075-101
	Measuring chamber, LPgas, Trac-Bearing®	L042075-501
	15 Seal pin	L042792-000
	16 Roller control	L042086-010
	17 Diaphragm	L042791-000
18	Vapor return valve	L087190-000

Ref.	Description	Part Number
19	Float	L087189-001
20	Gear train, 43.5 ratio, U.S. gallons	L080905-017
	Gear train, 11.6 ratio, liters	L080905-015
21	Strainer assembly, 80 mesh	L101738-001
22	O-ring, strainer endcaps	L100139-006
23	Tube assembly vapor release	L087196-001
24	Nut, flared, 1/4" tube	L087198-000
25	Male connector, 1/8" NPT x 1/4" tube	L084826-100
26	90° elbow, 1/8" NPT X 1/4" tube	L087195-000
27	Thermowell assembly	L086666-702
28	Cover, thermowell	L083732-000
29	Register adapter tower	L886150-000
30	Screw, 10-32 x 3/8", socket cap	L088524-010
31	Lock washer, split, #10	L041211-000
32	Star drive, w/set screw	L082976-001
33	Register gear plate adapter, no ATC	L886101-001
34	Cap screw, plated, 1/4-28 x 5/8", drilled	L100061-101
	Cap screw, plated, 1/4-28 x 5/8", undrilled	L100061-100
35	Lock washer, external, 1/4"	L100123-100
36	Register, non-printing, Veeder-Root	788700
	Register, printing, Veeder-Root	789002

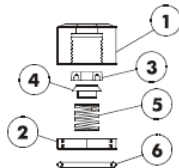
Liqua-Tech Product Line

Automatic Temperature Compensator



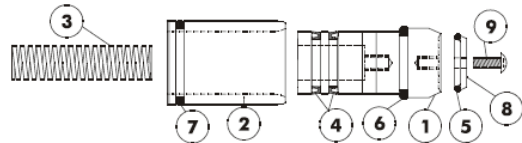
Ref.	Description	Part Number
ATC	Complete, LPM-102	L101080-005
1	Adapter mounting ring, ATC	L101052-001
2	Screw, filister head 10-32 x 3/4", S.S.	L041750-000
3	Lock washer, split, #10	L041211-000
4	Housing assembly, ATC	L101047-001
5	Screw, filister head 10-32 x 3/4", drilled	L041750-002
	Screw, filister head 10-32 x 3/4", undrilled	L041750-000
6	Push rod, ATC	L101059-001
7	Swivel block assembly, all ATC'S	L086612-000
8	Spacer, spring retainer, all ATC 'S	L088286-003
9	Spring, push rod	L084888-001
10	Plate, offset arm support	L101060-001
11	Screw, 10-32 x 3/8" socket buttonhead	L041750-008
12	Lock washer, internal, #10	L100122-007
	Lower drive bracket complete, 1" ATC	L084913-000
	Ratchet wheel assembly w/ambs, ATC	L084916-000
15	Ratchet wheel and shaft assembly, ATC	L084917-000
	Ratchet arm set (1,2,33,44)	L086055-000
	Ratchet arm assembly, #1	L086057-001
	Ratchet arm assembly, #2	L086064-001
	Ratchet arm assembly, #33	L086637-001
	Ratchet arm assembly, #44	L086639-001
17	Spring, ratchet pawl, ATC	L086063-000
18	Retaining ring, 1/2" extension	L086071-000
19	Plate drive assembly, ATC	L101055-001
20	Drive fork (long)	L084192-006
21	Roll pin, 1/16" x 3/8", steel	L100370-003
22	Arm complete, offset spider	L084910-004
23	Spring, offset spider, ATC	L008355-506
24	Thermostat cover, ATC	L087179-001
25	Screw, socket head, 1/4"-20 x 3/4"	L008325-401
26	Thermostat housing, ATC	L101048-001
27	Screw, button head, 1/4"-20 x 5/8", S.S.	L008325-020
28	Lock washer, 1/4", split	L041117-000
29	Thermostat pin, ATC	L086648-006
30	Thermostat bellows assembly	L086646-000
31	O-ring, thermostat	L100139-005
32	Connecting tube, LPM-102, ATC	L101065-001
33	Elbow, 3/8" NPT x 3/8" SAE	L084825-000
34	Cover, lever arm mounting plate	L086665-000
35	Screw, cover, 10-32 x 3/4", special, drilled	L009287-003
36	Lever arm assembly & mounting plate	L086649-003
37	Pin, lever arm lock	L086661-001
38	Cotter pin, 1/16" x 3/8", S.S.	L041401-000
39	Screw, filister head, 10-32 x 5/8", steel	L041221-002

Stuffing Box Assembly



Ref.	Description	Part Number
1	Nut, stuffing box, complete, w/bushing	L083536-000
2	Clamp nut	L000034-000
3	U-cup seal (buna-n)	L100025-002
4	U-cup expander	L083539-000
5	Spring, stuffing box	L083540-000
6	O-ring, gear train, (buna)	L100138-003

Differential Valve Assembly

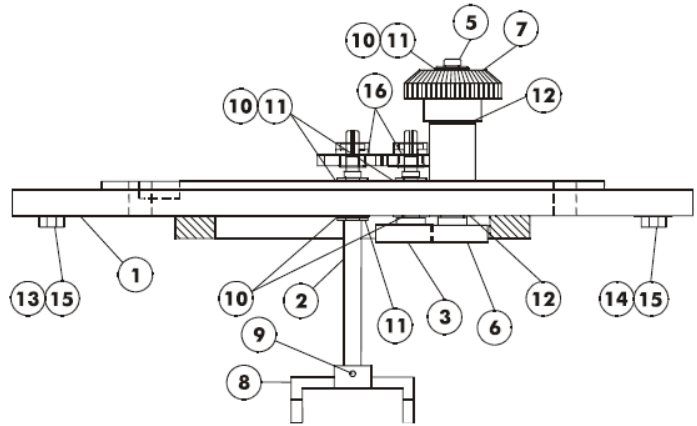


Ref.	Description	Part Number
	Differential valve assembly, soft seat	L100028-011
1	Piston, differential valve	L100160-040
2	Sleeve, differential valve	L100027-010
3	Spring, differential valve	L100024-001
4	U-cup seals, extra low friction (2)	L100025-008
5	O-ring, primary, soft seat (buna-n)	L100025-102
6	O-ring, secondary, soft seat (viton)	L100025-101
7	O-ring, sleeve	L100139-006
8	Retainer, differential valve, (brass)	L100160-050
9	Screw, 10-32 x 1/2", buttonhead, S.S.	L041750-010

Liqua-Tech Product Line

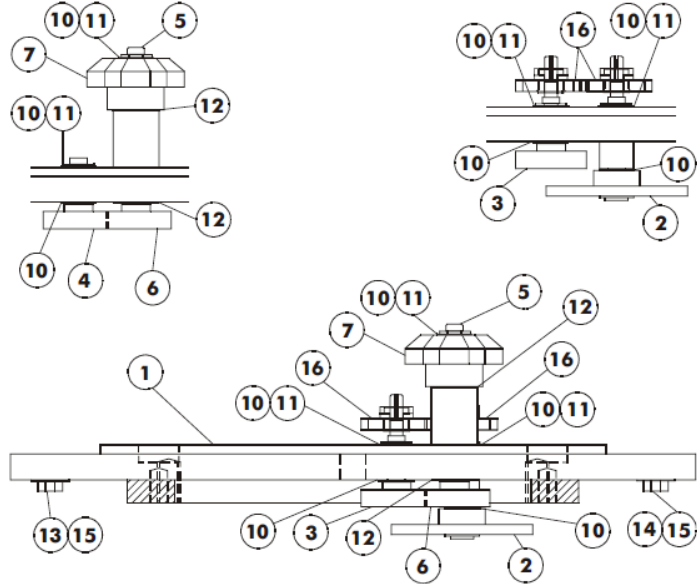
Register Gear Plate Adapter, No ATC

Ref.	Description	Part Number
	Gear plate assembly	L886101-001
2	S-shaft gear assembly	L886112-001
3	R-shaft gear assembly	L886115-000
5	Output shaft bevel gear assembly	L886116-002
6	Shaft, output, w/spur gear assembly	L886116-010
7	Gear, bevel, w/clutch assembly	L886116-011
8	Fork driver (short) w/pin	L088589-001
9	1/16" x 3/8" roll pin	L100370-003
10	Washer shim, 3/16" x 3/8" x .010"	L886121-000
11	Retaining ring, 3/16" E-type	L886131-000
12	Washer shim, 1/4" x 1/2" x .005"	L886122-000
13	Cap screws, 1/4"-28 x 5/8", undrilled	L100061-100
14	Cap screw, 1/4"-28 x 5/8", drilled	L100061-101
15	Lock washer, ext 1/4"	L100123-100
16	Register change gear assembly	L081230-xxx



Register Gear Plate Adapter, ATC

Ref.	Description	Part Number
	Gear plate assembly	L886105-001
2	S-shaft gear assembly	L886112-002
3	R-shaft gear assembly	L886112-001
4	Idler shaft gear assembly	L886117-000
5	Output shaft bevel gear assembly	L886116-002
6	Shaft, output, w/spur gear assembly	L886116-010
7	Gear, bevel, w/clutch assembly	L886116-011
10	Washer shim, 3/16" x 3/8" x .010"	L886121-000
11	Retaining ring, 3/16" E-type	L886131-000
12	Washer shim, 1/4" x 1/2" x .005"	L886122-000
13	Cap screws, 1/4"-28 x 5/8", undrilled	L100061-100
14	Cap screw, 1/4"-28 x 5/8", drilled	L100061-101
15	Lock washer, ext 1/4"	L100123-100
16	Register change gear assembly	L081230-xxx



Valve Assembly w/Float Kit - L087188-001

1	Float only, 3/4", 1", Vapor Eliminator	087189-001
1	Vapor Return Valve only, 3/4", 1", Vapor Eliminator	087190-000
1	Cotter Pin, 1/16" x 1", S.S.	041403-000



Vapor Elimination Upgrade Kit - L087190-102

1	Rego Vent Valve	003165-000
1	Flange Cover for Vent Valve	087179-711
1	Vapor Return Valve only, 3/4", 1" Type B	087190-010
1	Flange Seal, 3/4"	100139-007
1	Cotter Pin, 1/16" x 1", S.S.	041403-000

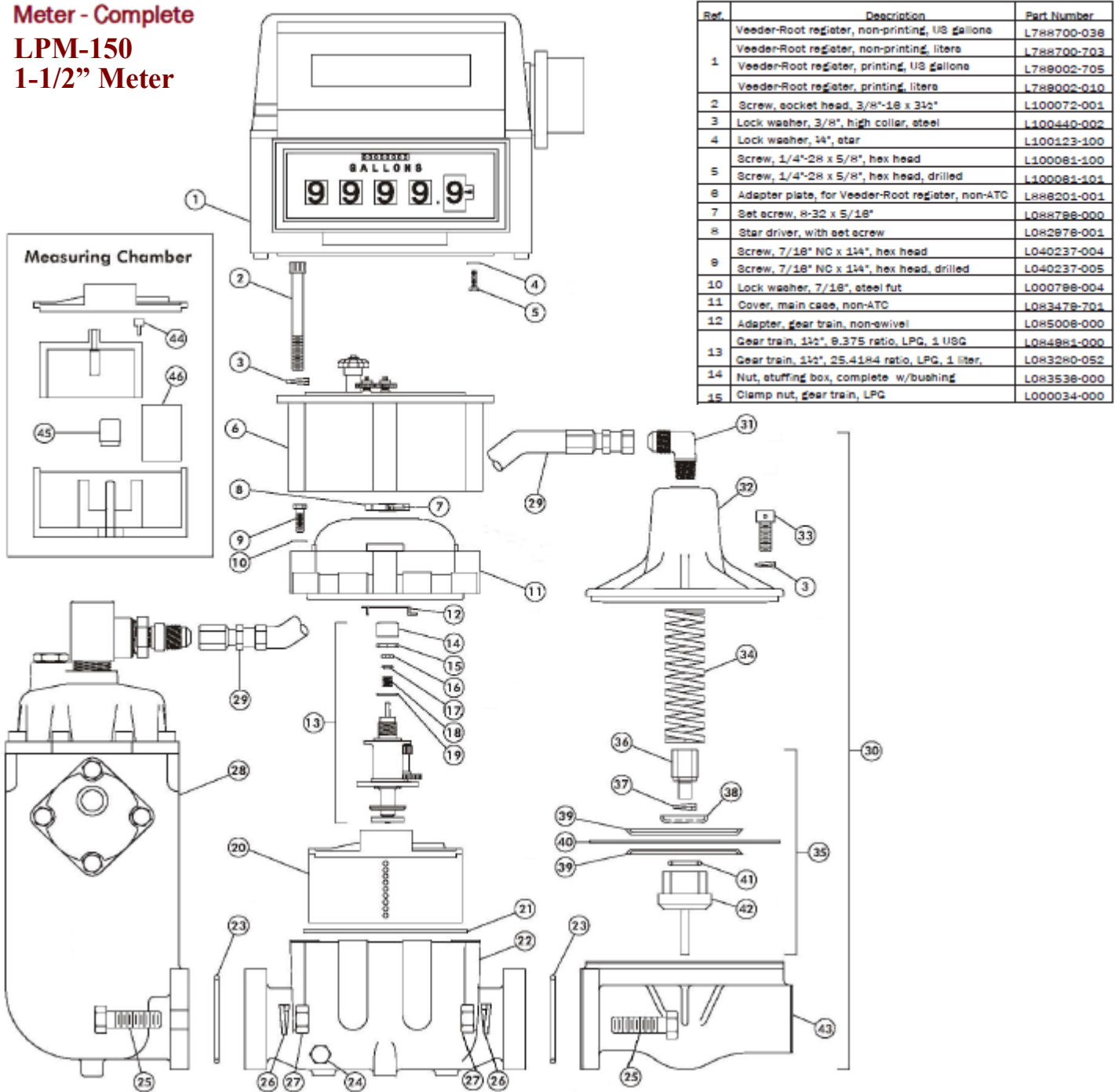


Standard Meter Configurations

Part Number	Register	ATC	Description
Units of Measure - Gallons			
L090028-040	none	no	w/o gear plate, tower, star driver
L090028-052	none	no	w/tower, w/o gear plate
L090028-051	none	no	w/gear plate
L090028-001	non-reset	no	157 register
L090028-101	non-printing	no	
L090028-102	printing	no	
L090028-109	none	yes	w/gear plate
L090028-105	non-printing	yes	
L090028-106	printing	yes	
Units of Measure - Liters			
L090028-050	none	no	w/o gear plate, tower, star driver
L090028-053	none	no	w/gear plate
L090028-010	non-reset	no	157 register
L090028-103	non-printing	no	
L090028-104	printing	no	
L090028-107	non-printing	yes	
L090028-108	printing	yes	
Units of Measure - 10 Liters			
L090028-011	Non-Reset (157)	no	10 liters

Liqua-Tech Product Line

Meter - Complete LPM-150 1-1/2" Meter



Ref.	Description	Part Number
1	Veeder-Root register, non-printing, US Gallons	L788700-038
	Veeder-Root register, non-printing, liters	L788700-703
	Veeder-Root register, printing, US Gallons	L788002-705
	Veeder-Root register, printing, liters	L788002-010
2	Screw, socket head, 3/8"-18 x 3 1/2"	L100072-001
3	Lock washer, 3/8", high collar, steel	L100440-002
4	Lock washer, 1/4", star	L100123-100
5	Screw, 1/4"-28 x 5/8", hex head	L100081-100
6	Screw, 1/4"-28 x 5/8", hex head, drilled	L100081-101
8	Adapter plate, for Veeder-Root register, non-ATC	L888201-001
7	Set screw, R-32 x 5/16"	L088788-000
8	Star driver, with set screw	L082878-001
9	Screw, 7/16" NC x 1 1/4", hex head	L040237-004
10	Screw, 7/16" NC x 1 1/4", hex head, drilled	L040237-005
11	Lock washer, 7/16", steel fut	L000788-004
11	Cover, main case, non-ATC	L083478-701
12	Adapter, gear train, non-swivel	L085008-000
13	Gear train, 1 1/2", 8.375 ratio, LPG, 1 USG	L084881-000
13	Gear train, 1 1/2", 25.4184 ratio, LPG, 1 liter	L083280-052
14	Nut, stuffing box, complete w/bushing	L083538-000
15	Clamp nut, gear train, LPG	L000034-000

16	U-cup seal, gear train, Buna-N	L100025-002
17	Expander, U-cup	L083538-000
18	Spring, stuffing box	L083540-000
19	O-ring, gear train, Buna-N	L100138-003
20	Measuring chamber, 1 1/2", LPG	L083271-101
21	Gasket, main case	L004882-008
22	Housing, main case	L084878-702
23	Gasket, flange	L082080-000
24	Plug, drain	L100075-003
25	Bolt, hex head, 5/8"-11 x 2 1/4"	L050223-002
26	Lock washer, 5/8", steel	L041150-000
27	Nut, 5/8"-11, hex	L041228-000
28	Vapor elim. complete, w/strainer and inlet check (see separate exploded parts view)	L084882-702
29	Connecting tube, copper	L084823-001

30	Differential valve, complete	L084885-701
31	Fitting, elbow, 1/4" NPT x 3/8" SAE	L084825-000
32	Cover, differential valve	L083788-701
33	Screw, 3/8"-18 x 1" socket head	L008325-014
33	Screw, 3/8"-18 x 1" socket head, drilled	L008325-015
34	Spring	L083775-000
35	Diaphragm, complete	L083848-008
36	Diaphragm screw	L083774-002
37	Lock washer, plated, 7/16"	L041012-002
38	Spring retainer	L083773-000
39	Diaphragm retainer	L083772-002
40	Diaphragm	L083771-002
41	O-ring	L100138-001
42	Valve stem assembly, (bronze)	L083788-002
43	Body, differential valve, 1 1/2"	L084888-701
44	Seal pin, measuring chamber, w/shot, LPG	L042782-000
45	Control roller, measuring chamber, LPG (LTC)	L043275-010
46	Diaphragm, 1 1/2" measuring chamber, LPG (LTC)	L083277-000



Vapor Eliminator & Strainer

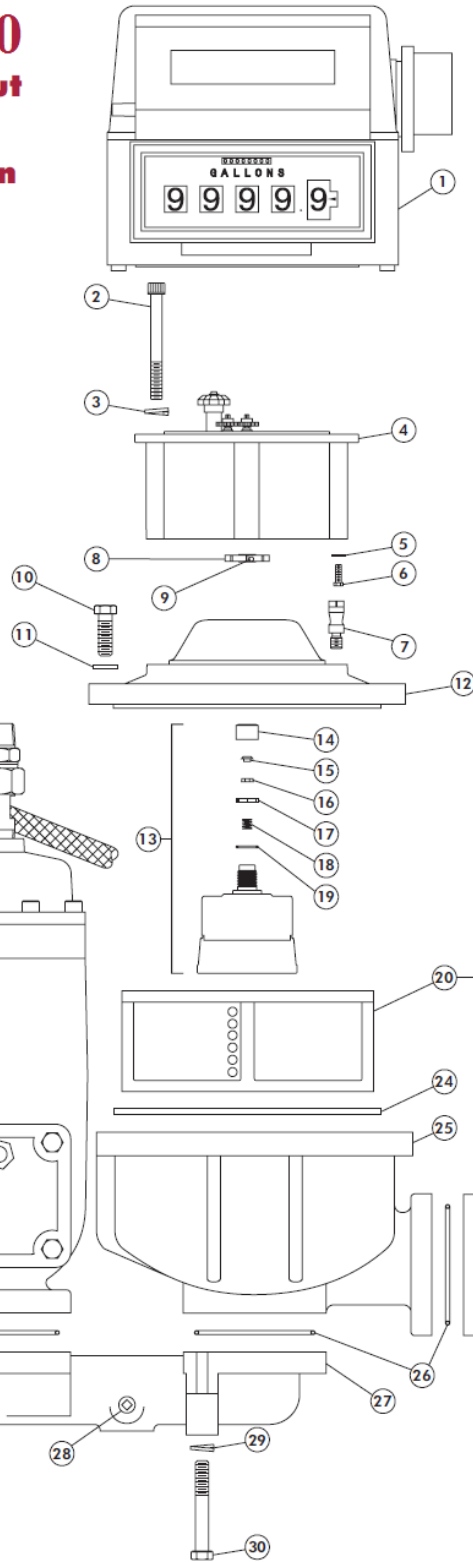
Ref.	Description	Part Number
1	Street tee, 3/4", high pressure	L084828-101
2	Bushing, 1/2" x 1/2"	L084828-050
3	Fitting, straight, 3/8" male flare	L084828-000
4	Screw, 3/8"-16 x 1" socket head	L008325-014
5	Screw, 3/8"-16 x 1" socket head, drilled	L008325-015
6	Lock washer, 3/8" steel, high collar	L100440-002
7	O-ring, vapor release cover	L100138-022
8	Mounting cover w/float valve	L083481-701
9	Cover assembly, vapor release	L100148-003
10	Screw, pressure relief (w/tag)	L100333-001
11	O-ring, pressure relief screw	L100138-008
12	Spring, compression	L100024-003
13	Valve assembly, bypass	L100237-001
14	Cover, vapor release	L100147-901
15	Main valve, complete	L089274-008
16	Piston seal	L083179-000
17	Sleeve, valve	L082448-005
18	Lower valve housing, complete	L08797-001
19	Valve housing with extensions	L082455-000
20	Link assembly	L100034-001
21	Float complete	L082478-001
22	Valve stem	L083127-001
23	Pin, valve stem	L042841-000
24	Pin, short (.68")	L082633-000
25	Pin, float to lever, long (1.37")	L040820-003
26	Washer, pin (short)	L041888-000
27	Cotter pin, 1/16" x 1/2", 304 SS	L041402-000
28	Lock washer, #10, steel	L041211-000
29	Screw, 10-32 x 5/8", fillister	L041221-002
30	Strainer, new style, 80 mesh	L101433-704
	Strainer, new style, 80 mesh	L101433-703
	Strainer, new style, 40 mesh	L101433-702
	Strainer, new style, 18 mesh	L101433-701
31	O-ring, Buna-N	L100138-032
32	Gasket, o-ring	L100138-010
33	Strainer cover	L083485-702
34	Thermowell	L088888-702
35	Cover, thermowell	L083732-000
36	Screw, 3/8"-18 x 1", hex head	L100087-027
37	Lock washer, 3/8" steel	L100440-001
38	Body, vapor release and strainer	L083485-701
39	Inlet check valve, soft seat, 1 1/2"	L084883-704
40	Flange, inlet, 1 1/2"	L084884-005
41	Inlet disk assembly	L100885-001
42	Retainer, disk	L100887-001
43	O-ring, soft seat	L100148-003
44	Holder, disk seat	L100423-002
45	Lock washer, 1/4", steel	L100121-008
46	Shaft, valve stem	L100886-001
47	Spring	L083482-000
48	Bearing support assembly	L100885-050
49	Strap, center bearing support	L083483-003
50	Retaining ring, 1/2"	L088071-000
51	Bearing	L100889-001
52	Collar ring, retaining	L083441-000
53	Screw, 8-32 x 1/2", flathead	L083442-000
54	Tubing, strainer support	L085885-001
55	Hex pipe plug, 1/2"	L100078-003

Liqua-Tech Product Line

LPM-200

Meter Without Automatic Temperature Compensation (ATC)

2" Meter



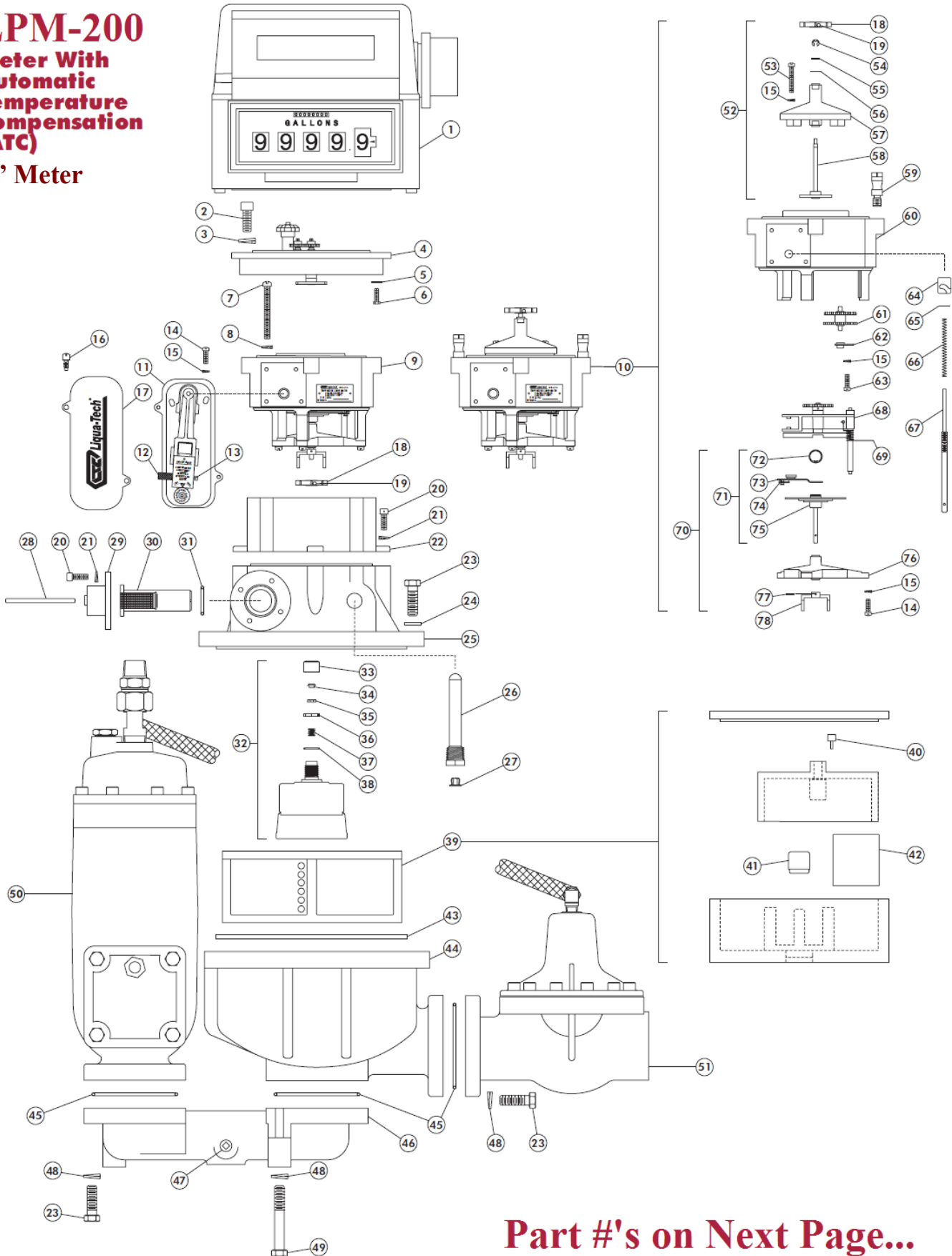
Ref.	Description	Part Number
1	Veeder-Root register, non-printing, US gallons	L788700-036
	Veeder-Root register, non-printing, liters	L788700-703
	Veeder-Root register, printing, US gallons	L789002-705
	Veeder-Root register, printing, liters	L789002-010
2	Screw, 3/8-16 x 3 1/2", socket head	L100072-001
3	Lockwasher, 3/8", high collar, steel	L100440-002
4	Adapter plate, for Veeder-Root register, non-ATC	L886201-001
5	Lockwasher, 1/4", star	L100123-100
6	Screw, 1/4-28 x 5/8", hex head	L100061-100
	Screw, 1/4-28 x 5/8", hex head, drilled	L100061-011
7	Stud, register mounting, stainless steel	L084435-000
8	Star driver, with setscrew	L082976-001
9	Set screw, 8-32 x 5/16"	L088796-000
10	Screw, cap, 7/16-14 x 1 3/8"	L000795-003
	Screw, cap, 7/16-14 x 1 3/8", drilled	L000795-011
11	Washer, 7/16", flat, steel	L000796-004
12	Main case cover, w/locking pin, no ATC	L084802-702
13	Gear train, 2", 3.75 ratio, LPG, 1 US gallon, clover driver	L083502-000
	Gear train, 2", 3.75 ratio, LPG, 1 US gallon, tear drop driver	L083502-005
	Gear train, 2", 9.93 ratio, LPG, 1 liter, tear drop driver	L080862-055
	Gear train, 2", 3.75 ratio, NH ₃ , 1 US gallon, tear drop driver	L087774-001
14	Nut, stuffing box, complete w/bushing	L083536-000
	Clamp nut, gear train, LPG	L000034-000
15	Clamp nut, gear train, NH ₃	L000034-004
	U-cup seal, gear train, Buna-N	L100025-002
17	Expander, U-cup	L083539-000
18	Spring, stuffing box	L083540-000
19	O-ring, gear train, Buna-N	L100138-003
20	Measuring chamber, 2", LPG, standard	L045806-101
	Measuring chamber, 2", LPG, Trac-Bearing	L045806-501
	Measuring chamber, 2", food service	L045806-102
	Measuring chamber, 2", NH ₃	L045806-103
21	Seal pin, 2" measuring chamber (Liqua-Tech), LPG	L042546-010
	Seal pin, 2" measuring chamber (Liqua-Tech), NH ₃	L042546-012
	Seal pin, 2" measuring chamber (Neptune), LPG	L042546-000
	Seal pin, 2" measuring chamber (Neptune), NH ₃	L042546-002

Ref.	Description	Part Number
22	Control roller, 2" measuring chamber (Liqua-Tech), LPG	L042316-010
	Control roller, 2" measuring chamber (Liqua-Tech), NH ₃	L042316-014
	Control roller, 2" measuring chamber (Neptune), LPG	L042316-001
	Control roller, 2" measuring chamber (Neptune), NH ₃	L042316-004
23	Diaphragm, 2" measuring chamber (Liqua-Tech), LPG	L042312-010
	Diaphragm, 2" measuring chamber (Liqua-Tech), NH ₃	L042312-015
	Diaphragm, 2" measuring chamber (Neptune), LPG	L042312-001

Ref.	Description	Part Number
23	Diaphragm, 2" measuring chamber (Neptune), NH ₃	L042312-005
NS	Repair Kit, 2" measuring chamber (Liqua-Tech)	L045806-702
	Repair Kit, 2" measuring chamber (Neptune)	L045806-701
24	Gasket, main case	L084806-000
25	Main case housing with locating pin	L084804-702
26	O-ring gasket	L100139-018
	O-ring gasket (square-cut)	L084818-000
27	Connector, meter to vapor eliminator	L086698-702
28	Plug, drain	L100075-003
29	Lockwasher, 7/16", steel	L041012-002
30	Screw, 7/16-14 x 3", hex head, steel	L100071-068
31	Vapor release and strainer assembly, complete	L084807-701
32	Differential valve, complete	L083925-701

Liqua-Tech Product Line

LPM-200 Meter With Automatic Temperature Compensation (ATC) 2" Meter



Part #'s on Next Page...

Liqua-Tech Product Line

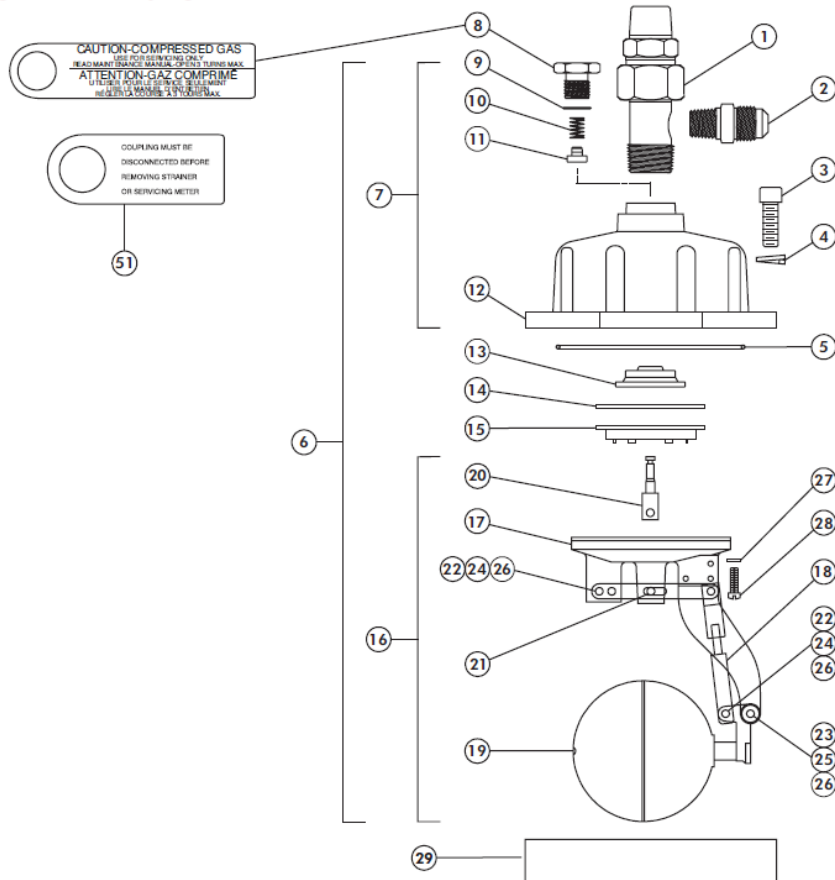
LPM-200 Meter With Automatic Temperature Compensation (ATC)

Ref.	Description	Part Number
1	Veeder-Root register, non-printing, US gallons	L788700-036
	Veeder-Root register, non-printing, liters	L788700-703
	Veeder-Root register, printing, US gallons	L789002-705
	Veeder-Root register, printing, liters	L789002-010
2	Screw, 3/8-16 x 1", socket head	L008325-014
	Screw, 3/8-16 x 1", socket head, drilled	L008325-015
3	Lockwasher, 3/8", high collar, steel	L100440-002
4	Adapter plate, for Veeder-Root register, ATC	L886205-001
5	Lockwasher, 1/4", star	L100123-100
6	Screw, 1/4-28 x 5/8", hex head	L100061-100
	Screw, 1/4-28 x 5/8", hex head, drilled	L100061-011
7	Screw, 1/4-20 x 2 1/2", filister head	L008302-107
8	Lockwasher, 1/4", high collar, steel	L088721-000
9	Temperature compensator adapter	L086602-101
10	Temperature compensator adapter, with upper drive bracket	L086602-005
11	Mounting plate and lever arm assembly	L086649-003
12	Pin, lever arm lock	L086661-001
13	Cotter pin, 1/16" dia. x 3/8", steel	L041401-000
14	Screw, 10-32 x 5/8" filister head, steel	L041221-002
15	Lockwasher, #10, steel	L041211-000
16	Screw, cover, 10-32 special	L009287-003
17	Cover, lever arm mounting plate	L086665-000
18	Star driver, with setscrew	L082976-001
19	Set screw, 8-32 x 5/16"	L088796-000
20	Screw, 1/4-20 x 3/4", socket head	L100060-010
	Screw, 1/4-20 x 3/4", socket head, drilled	L100060-011
21	Lockwasher, 1/4", steel	L041117-000
22	Spacer, aluminum	L086711-000
23	Screw, cap, 7/16-14 x 1 3/8"	L000795-003
	Screw, cap, 7/16-14 x 1 3/8", drilled	L000795-011
24	Washer, 7/16", flat, steel	L000796-004
25	Main case cover w/locking pin	L086704-701
26	Thermowell	L086666-702
27	Cover, thermowell	L083732-000
28	Pin, thermostat	L086648-000
29	Cover, thermostat	L086647-001
30	Thermostat bellows assembly	L086646-000
31	O-ring, thermostat bellows	L100139-005
32	Gear train, 2", 3.75 ratio, LPG, 1 US gallon, clover driver	L083502-000
	Gear train, 2", 3.75 ratio, LPG, 1 US gallon, tear drop driver	L083502-005
	Gear train, 2", 9.93 ratio, LPG, 1 liter, tear drop driver	L080862-055
	Gear train, 2", 3.75 ratio, NH ₃ , 1 US gallon, tear drop driver	L087774-001
	Gear train, 2", 9.93 ratio, NH ₃ , 1 liter, tear drop driver	L087774-003
33	Nut, stuffing box, complete w/bushing	L083536-000
34	Clamp nut, gear train, LPG	L000034-000
	Clamp nut, gear train, NH ₃	L000034-004
35	U-cup seal, gear train, Buna-N	L100025-002
36	Expander, U-cup	L083539-000
37	Spring, stuffing box	L083540-000
38	O-ring, gear train, Buna-N	L100138-003
39	Measuring chamber, 2", LPG, standard	L045806-101
	Measuring chamber, 2", LPG, Trac-Bearing	L045806-501
	Measuring chamber, 2", food service	L045806-102
	Measuring chamber, 2", NH ₃	L045806-103

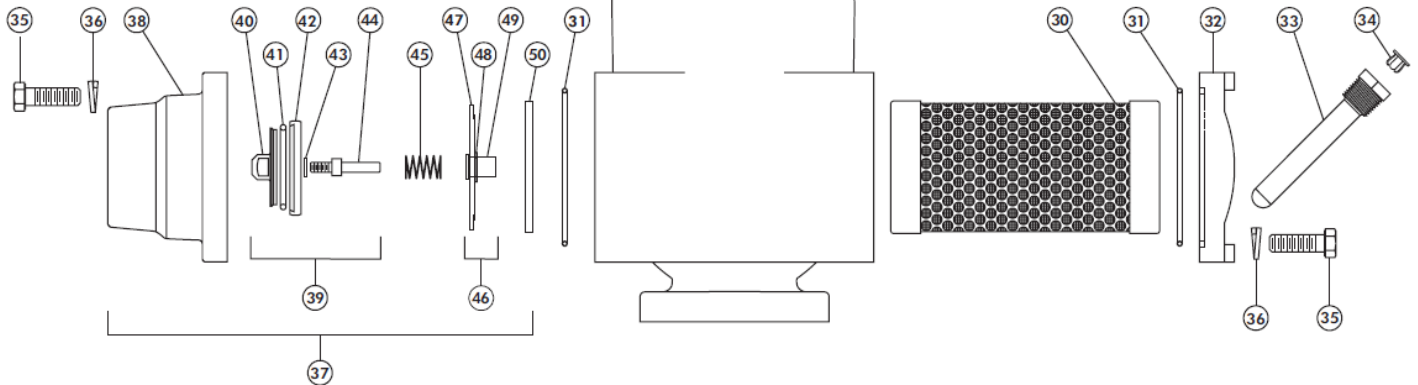
Ref.	Description	Part Number
40	Seal pin, 2" measuring chamber (Liqua-Tech), LPG	L042546-010
	Seal pin, 2" measuring chamber (Liqua-Tech), NH ₃	L042546-012
	Seal pin, 2" measuring chamber (Neptune), LPG	L042546-000
	Seal pin, 2" measuring chamber (Neptune), NH ₃	L042546-002
41	Control roller, 2" measuring chamber (Liqua-Tech), LPG	L042316-010
	Control roller, 2" measuring chamber (Liqua-Tech), NH ₃	L042316-014
	Control roller, 2" measuring chamber (Neptune), LPG	L042316-001
	Control roller, 2" measuring chamber (Neptune), NH ₃	L042316-004
42	Diaphragm, 2" measuring chamber (Liqua-Tech), LPG	L042312-010
	Diaphragm, 2" measuring chamber (Liqua-Tech), NH ₃	L042312-015
	Diaphragm, 2" measuring chamber (Neptune), LPG	L042312-001
	Diaphragm, 2" measuring chamber (Neptune), NH ₃	L042312-005
NS	Repair Kit, 2" measuring chamber (Liqua-Tech)	L045806-702
	Repair Kit, 2" measuring chamber (Neptune)	L045806-701
43	Gasket, main case	L084806-000
44	Main case housing with locating pin	L084804-702
45	O-ring gasket	L100139-018
	O-ring gasket (square-cut)	L084818-000
46	Connector, meter to vapor eliminator	L086698-702
47	Plug, drain	L100075-003
48	Lockwasher, 7/16", steel	L041012-002
49	Screw, 7/16-14 x 3", hex head, steel	L100071-068
50	Vapor release and strainer assembly, complete	L084807-701
51	Differential valve, complete	L083925-701
52	Register (upper) drive bracket, complete	L084890-004
53	Screw, filister head, steel plated, 10-32 x 1 1/4"	L089073-000
54	Retaining ring, 3/16"	L886131-000
55	Washer, drive shaft	L008571-014
56	Shim, drive shaft	L886121-000
57	Bracket assembly, (upper) w/bushings	L086808-000
58	Gear & drive shaft complete (41 tooth)	L086554-001
59	Stud, register mounting, stainless steel	L084435-000
60	Adapter housing	L084921-003
61	Gear & shaft assembly (41 & 35 teeth)	L084907-001
62	Plate, idler gear retainer	L086609-000
63	Screw, 10-32 x 3/8", fillister head	L088524-000
64	Swivel block assembly	L086612-000
65	Washer, spring retaining	L088286-003
66	Spring, push rod	L084888-001
67	Push rod	L086611-001
68	Arm complete, offset spider (31T gear)	L084910-003
69	Spring, offset spider	L086645-000
70	Lower drive bracket, complete	L084913-002
71	Ratchet wheel assembly w/arms	L084916-001
72	Ring, retaining	L086071-000
73	Ratchet arm assembly #1	L086057-001
	Ratchet arm assembly #2	L086064-001
	Ratchet arm assembly #33	L086637-001
	Ratchet arm assembly #44	L086639-001
74	Spring, ratchet pawl	L086063-000
75	Ratchet wheel/shaft assembly	L084917-001
76	Drive bracket w/bushings	L084914-000
77	Roll pin, 1/16" x 3/8", steel	L100370-003
78	Driver fork	L084192-006

Liqua-Tech Product Line

Vapor Eliminator



Ref.	Description	Part Number
1	Valve, vapor return check	L084828-000
2	Fitting, straight, 3/8" male flare	L084826-000
3	Screw, 3/8-1.6 x 1" socket head	L008325-014
4	Lock washer, 3/8" steel, high collar	L100440-002
5	O-ring, vapor release cover	L100139-022
6	Mounting cover w/float valve	L084808-701
7	Cover assembly, vapor release	L100148-001
8	Screw, pressure relief (includes caution tag)	L100333-001
9	O-ring, pressure relief screw	L100138-006
10	Spring, compression	L100024-003
11	Valve assembly, bypass	L100237-001
12	Cover, vapor release	L100147-901
13	Main valve, complete	L089274-006
14	Piston seal	L083179-000
15	Sleeve, valve	L082446-005
16	Lower valve housing, complete	L086798-001
17	Valve housing with extensions	L083457-000
18	Link assembly	L080002-000
19	Float complete	L082476-001
20	Valve stem	L083127-001
21	Pin, valve stem	L042941-000
22	Pin, short (.68")	L082633-000
23	Pin, float to lever, long (1.37")	L040820-003
24	Washer, pin (short)	L041989-000
25	Washer, float lever pin (long)	L040491-000
26	Cotter pin, 1/16" x 1/2", 304 SS	L041402-000
27	Screw, 10-32 x 5/8", filister	L041221-002
28	Lock washer, #10, steel	L041211-000
29	Body, vapor release & strainer	L084810-701
30	Strainer, 84 mesh (standard)	L101462-004
	Strainer, 60 mesh	L101462-003
	Strainer, 40 mesh	L101462-002
	Strainer, 16 mesh	L101462-001

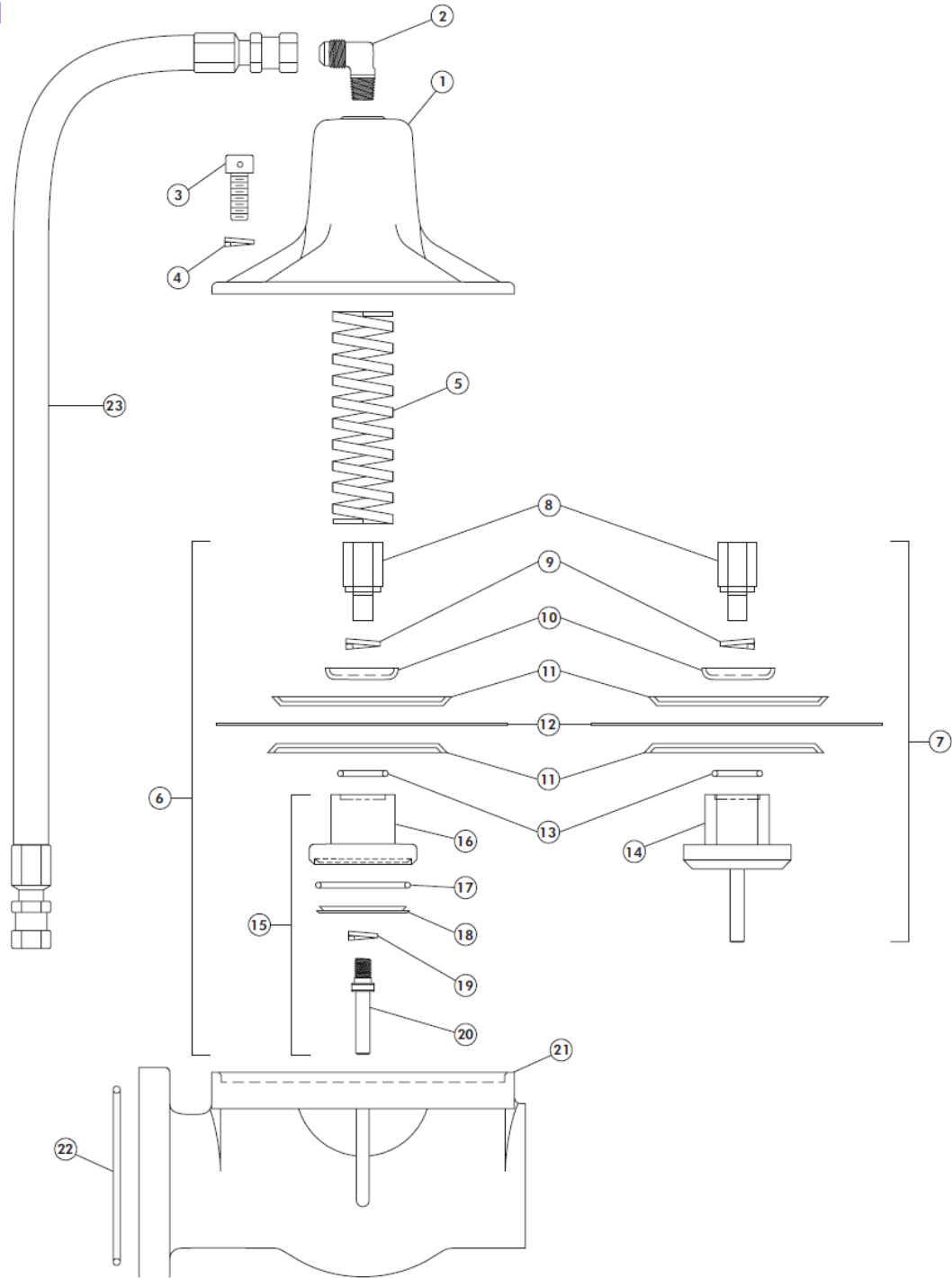


31	Gasket, o-ring, strainer cover	L100139-018
32	Strainer cover, for thermowell	L084811-701
	Strainer cover, no thermowell	L084812-702
33	Thermowell	L086666-702
34	Cover, thermowell	L083732-000
35	Screw, 7/16-14 x 1- 3/8", hex head	L000795-003
35	Lock washer, 7/16" steel	L041012-002
36	Stud, 5/8-11 x 2 1/4", steel	L082678-000
37	Inlet check valve, soft seat	L084813-702
38	Flange, inlet	L084814-003
39	Inlet check valve disk assembly	L084815-000
40	Retainer, disk	L100898-001

41	O-ring, soft seat	L100139-032
42	Holder, disk	L100374-002
43	Lock washer	L100121-009
44	Shaft, valve stem	L100896-001
45	Spring	L083492-010
46	Inlet check valve bearing support assembly	L084815-050
47	Bearing	L100899-010
48	Strap, inlet check	L084816-002
49	Retaining ring, 1/2"	L086071-000
50	Retaining ring, spiral	L084817-000
51	Caution tag, vapor return valve	L100333-001
NS	Caution tag, meter calibration	L100322-001

Liqua-Tech Product Line

Differential Valve

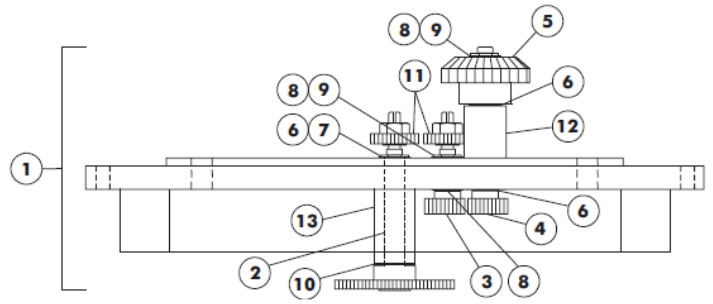


Ref.	Description	Part Number
1	Cover	L083766-701
2	Fitting, elbow, 3/8" NPT x 3/8" SAE	L084825-001
3	Screw, 3/8-16 x 1" socket head	L008325-014
	Screw, 3/8-16 x 1" socket head, drilled	L008325-015
4	Lock washer, 3/8" steel, high collar	L100440-002
5	Spring, valve	L083775-000
6	Diaphragm assembly, soft seat	L083947-010
7	Diaphragm assembly, hard seat	L083947-003
8	Screw, diaphragm	L083774-002
9	Lock washer, 7/16" steel	L041012-002
10	Retainer, spring	L083773-000
11	Retainer, diaphragm	L083772-002

Ref.	Description	Part Number
12	Diaphragm	L083771-002
13	O-ring, differential valve	L100139-001
14	Valve stem, hard seat	L083927-002
15	Valve stem assembly, soft seat	L083927-010
16	Valve plug	L083927-011
17	O-ring, soft-seat	L100139-046
18	Retainer, o-ring	L083927-012
19	Lock washer, 3/8"	L100440-001
20	Valve stem, threaded	L083927-013
21	Body, differential valve	L083926-701
22	O-ring, flange	L10-0139-018
23	Hose, connector	L084823-010

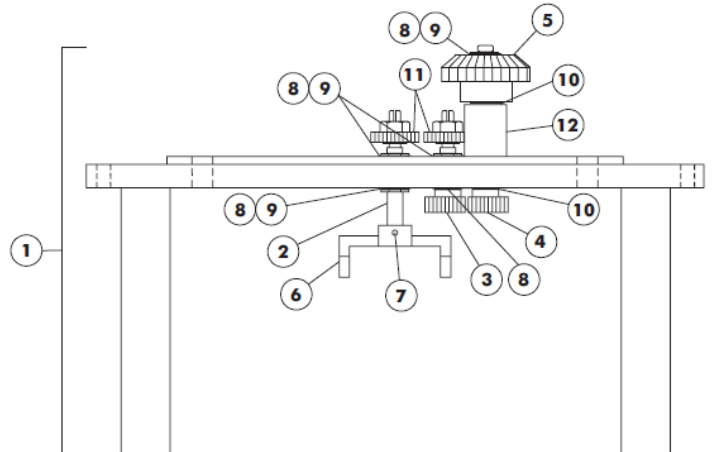
Register Gear Plate Adapter, ATC

Ref.	Description	Part Number
1	Gear plate assembly, 1 1/4" - 2", ATC	L886205-001
2	S-shaft gear assembly, long knurled, w/41 tooth gear	L886112-004
3	R-shaft gear assembly	L886115-000
4	Shaft, output, w/spur gear assembly	L886116-010
5	Gear, bevel, w/clutch assembly	L886116-011
6	Washer shim, 1/4" x 1/2" x .005"	L886122-000
7	Retaining ring, 1/4", E-type	L886132-000
8	Washer shim, 3/16" x 3/8" x .010"	L886121-000
9	Retaining ring, 3/16" E-type	L886131-000
10	Washer shim, 1/4" x 1/2" x .028"	L886123-000
11	Register change gear assembly	L081230-XXX
12	Bushing, spacer, 1/4" x 1/2" x 1"	L000010-C02
13	Bushing, spacer, S-shaft, 1/4" x 1/2" x 1 1/4"	L000010-C06
NS	Bushing, R-shaft, 3/16" x 5/16" x 3/8"	L000010-C01



Register Gear Plate Adapter, No ATC

Ref.	Description	Part Number
1	Gear plate assembly, 1 1/4" - 2", non-ATC	L886201-001
2	S-shaft gear assembly, short	L886112-005
3	R-shaft gear assembly	L886115-000
4	Shaft, output, w/spur gear assembly	L886116-010
5	Gear, bevel, w/clutch assembly	L886116-011
6	Fork driver (short) w/pin	L088589-001
7	1/16" x 3/8" roll pin	L100370-003
8	Washer shim, 3/16" x 3/8" x .010"	L886121-000
9	Retaining ring, 3/16" E-type	L886131-000
10	Washer shim, 1/4" x 1/2" x .005"	L886122-000
11	Register change gear assembly	L081230-XXX
12	Bushing, spacer, 1/4" x 1/2" x 1"	L000010-C02
NS	Bushing, change gear shaft, 3/16" x 5/16" x 3/8"	L000010-C01



Meter Options

Strainer Magnet

Helps remove tank scale and other ferrous metal particulates in the liquid gas stream.

Part Number	Description
L101738-101	Strainer magnet



Trac-Bearing® Measuring Chamber

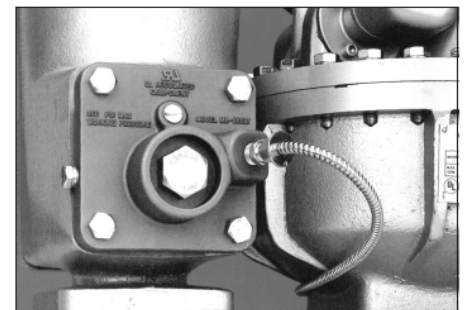
Provides greater sustained accuracy with less wear in low viscosity fluids. Patented design controls and stabilizes piston rotation better than standard control rollers.



Part Number	Description
L045806-CHG	Upgrade, Trac-Bearing® chamber, LPM-200

Quick-Vent Flange

Replaces the strainer screen flange for safe and effective evacuation of meter. Route LPG to remote location or storage container. Controllable bleed rate. UL listed.



Part Number	Description
00MA20-CHG	Quick-Vent option on LPM-200 2" meters

Red Seal Measurement Product Line

Type 4D Liquid Meters

The 1" meter is used on bottle filling applications. The 1-1/4" and up meters are used on larger flow and bobtail applications. These meters are available with the following options:

- Printing, non-printing, or electronic register head
- Automatic Temperature Compensator (ATC)
- Pulsars



1" Meter



**RED SEAL
MEASUREMENT**



1-1/4", 1-1/2", & 2" Meter

Item ID	Description	List
RL100-108A1VAS	1" FNPT - NON-PRINTING V/R REGISTER - 3-18 GPM	\$4,774.24
RL125-21RGD1	1-1/4" FNPT - PRINTING REGISTER W/ ATC - 5-30 GPM	\$16,980.16
RL150-21RGD1	1-1/2" FNPT - PRINTING REGISTER W/ ATC - 12-60 GPM	\$17,280.16
RL200-21RGD2	2" FNPT - PRINTING REGISTER W/ ATC - 20-100 GPM	\$17,280.16

Registers



**RED SEAL
MEASUREMENT**



VEEDER-ROOT

MID:COM



Item ID	Description	List
100498-009	600 SERIES - NON-PRINTING - LONG SHAFT - NEPTUNE	\$1,453.28
100498-016	600 SERIES - NON-PRINTING - SHORT SHAFT - NEPTUNE	\$1,453.28
880010-000	831 SERIES - NON-PRINTING - NEPTUNE	\$1,849.64
833-0	833 SERIES - PRINTING - NEPTUNE	\$3,190.12
788700-036	NON-PRINTING - VEEDER-ROOT	\$1,061.32
789002-002	PRINTING - GALLONS & TENTHS - VEEDER-ROOT	\$2,590.00
ECOUNT	E:COUNT SERIES - ELECTRONIC REGISTER - MIDCOM	\$5,780.34
LCR-II	ELECTRONIC REGISTER	Call
LCR600	ELECTRONIC REGISTER W/ PULSAR, PRINTER & INSTALL KIT - LC	\$7,738.08



Model 600 Register



Model 831 Register



Model 833 Register

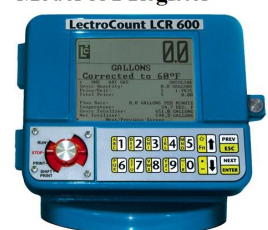
Veeder-Root Non-Printing



MIDCOM E:COUNT



LCR-II



LCR600

Vapor Meters



Item ID	Description	List
S275	3/4" FNPT - TEMPERATURE COMPENSATED - CUBIC FEET	\$326.30



Available in gallons for an extra charge. Use part # S275G.





MA Series Liquid Meters

These liquid meters come complete with a vapor eliminator, back check, strainer, and differential valve. There are also options such as:

- Various inlet/outlet configurations
- Printing, non-printing, or electronic register heads
- Electronic Temperature Volume Compensator (ETVC)
- Pulse Output Device (POD)

Item ID	Description
MA4	1" - 30 GPM MAX
MA5	1-1/2" OR 2" - 60 GPM MAX
MA7	2" - 100 GPM MAX
MA15	3" - 200 GPM MAX



MA Series Strainers

Strainers help to protect meters from serious damage caused by burrs dislodged from new piping, pipe scale or foreign material. Strainer baskets are available in 20, 40, 80, 100 or 200 mesh. The F-7 Strainer is for the MA5 and MA7 meters and the F-15 Strainer is for the MA15 series.



F-7 Strainer



F-15 Strainer

MA Series Air Eliminator

Air eliminators remove air and vapor from metering systems. Removing the air and vapor from a metering system increases the accuracy of the meter by allowing only liquid to pass through the meter for measurement.



Air Eliminator

MA Series Differential Valve

Differential valves are spring loaded valves on the outlet side of the meter. Most Liquid Controls meter systems with a vapor eliminator also have a differential valve. Vapor eliminators and differential valves work in conjunction to stop the flow of product through the meter until the vapor is eliminated from the system.



Differential Valve

MA Series Check Valve

Designed with a soft seat to prevent reverse flow and eliminate counter advancement when PTO is engaged. Includes built-in pressure to keep the meter, downstream piping and delivery hose packed to a set pressure. Full port design assures maximum system flow rate.



Check Valve

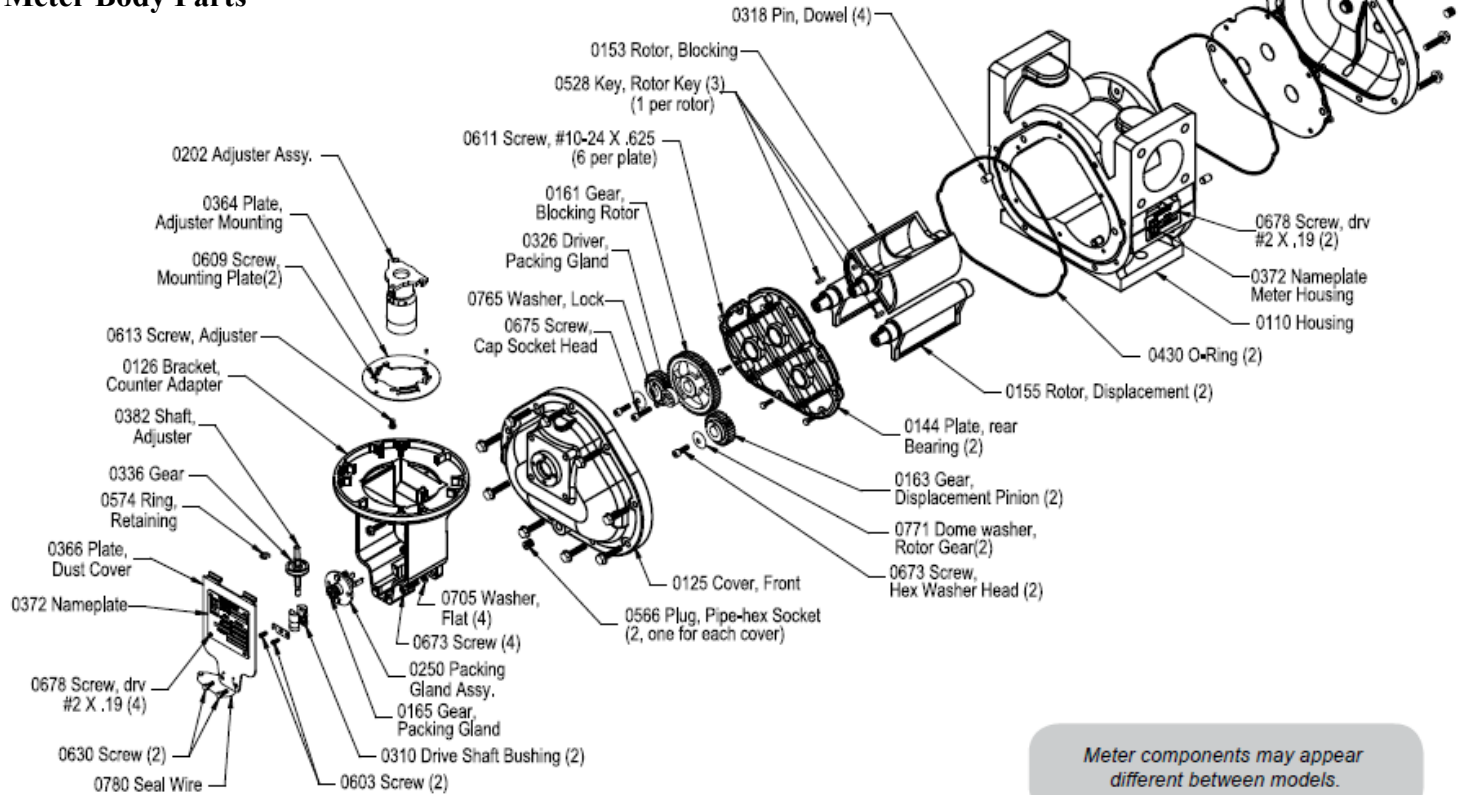
Liquid Controls Product Line

M5 THROUGH M25 METERS (INCLUDING MA METERS)

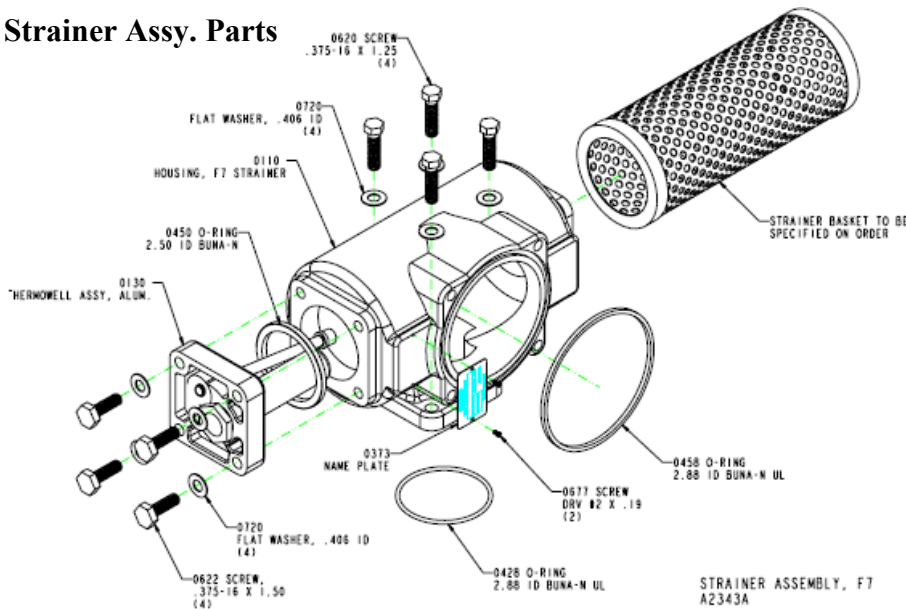
Item Numbers and Part Numbers

Numbers shown are item numbers, not part numbers. Refer to the Bill of Materials M610 supplied in the red Owner's Information Packet to locate the part number associated with these item number.

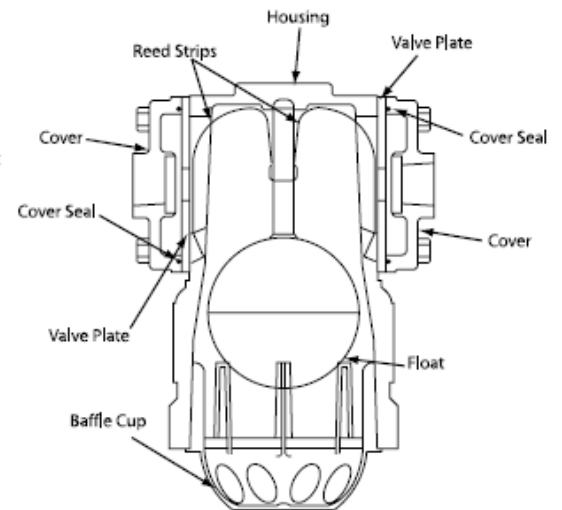
Meter Body Parts



Strainer Assy. Parts



Air/Vapor Eliminator Parts



Because of the vast number of models in the field, please provide the model # and serial number if available when requesting replacement Liquid Controls parts.

Differential Diaphragm Part # 083771-003



Parafour Product Line

Autogas Dispensers



Autogas dispensers by Parafour can be used for a number of autogas applications, including fleet fueling and retail filling stations. The cabinets are available in single and dual-hose systems that can be configured to fill vehicles and/or bottles. All cabinets are UL Listed and NTEP Certified.

Item ID	Application	Nozzle	List
P4-100	AUTOGAS SINGLE HOSE	1-3/4" ACME	\$20,321.00
P4-150	AUTOGAS & BOTTLE FILLING - DUAL HOSE	1-3/4" ACME & QCC	\$21,380.00
P4-200	AUTOGAS - DUAL HOSE	1-3/4" ACME (2)	\$31,287.00



The **P4-100** model is a single hose dispenser with full retail or fleet only capabilities.



The **P4-150** model is a dual hose dispenser with the ability to fill autogas or cylinders. One meter is housed to allow filling out of one hose at a time.



The **P4-200** model is a dual hose dispenser with the ability to fill two tanks at the same time. This unit houses two meters and has a meter counter display on both sides. Ideal for high traffic areas.

Fuel Management Systems



ParaFuel is a comprehensive fuel management system which can be used as either a private fleet fuel management system or as a general retail fuel sales management and control system. The system is activated by an RFID device registered to the ParaFuel database. Please reach out to us for more info.



PetroVend is a stand-alone pedestal mounted system for small or mid-sized fleet-fueling sites that require one or two hose control. It ships with 50 pre-configured users and requires only power and hose-control lines. Call us for more info.

P4 Eco-Air Internal Valve System



The Eco-Air Internal Valve System comes with an air compressor and eliminates the need for nitrogen tanks to supply air pressure to internal valves. The Eco-Air is a self-contained unit designed for the rigors of internal valve actuation.

Features:

- Durable, long life industrial grade compressor, oil free and maintenance free, rated for 100% run time duty cycle
- Vertical 2 gallon reservoir, with self-drain solenoid, PLC controlled
- Heavy duty regulator and filter with auto drain
- No mechanical pressure control and unloading valve to fail
- Computerized control with high durability PLC and pressure sensors
- Gauges for tank and regulator pressure
- High quality NEMA 4/12 enclosure with durable finish and cooling vents
- LED operating and warning condition / Alarm indicators
- Continues to operate with "Small Leak Detection" after warning light
- Automatic shut-down with Major Leak Detection & flashing warning indicator
- 80 psi reservoir pressure, standard (adjustable) 45 psi actuator pressure
- Can be used with solenoid valves for internal valve automation



Gas Guard Nozzles



These Autogas nozzles are available in 1-3/4" Acme and Euro (snap-on) fill connections.



Item ID	Description	List
GG20	3/4" FNPT X 1-3/4" ACME	\$1,269.28
ZVG2	3/4" FNPT X EURO	\$1,751.68



Hose Product Lines

Rubber Hose

All Propane offers hose from both Gates and Parker. All Propane stocks hose from 1/4" all the way to 2" for your convenience.



Item ID	Hose I.D.	Max W.P.	Reel	Couplings	List Per Foot
7132-25354E	1/4"	350 PSI	350'	HOSE BARB	\$2.20
7122-38200*	3/8"	125 PSI	600-800'	HOSE BARB	\$1.52
7132-38354	3/8"	350 PSI	600-800'	HOSE BARB	\$3.98
7243-311**	5/16"	350 PSI	350-500'	SCREW-ON	\$6.08
SS8UL**	13/32"	350 PSI	-	SCREW-ON	\$11.86
7132-50354	1/2"	350 PSI	600-800'	CRIMP-ON	\$5.70
7132-75354	3/4"	350 PSI	300-400'	CRIMP-ON	\$7.88
7132-100354	1"	350 PSI	300-400'	CRIMP-ON	\$7.98
7232-1252	1-1/4"	350 PSI	270-330'	CRIMP-ON	\$21.98
7232-1503K	1-1/2"	350 PSI	300'	CRIMP-ON	\$35.32
7232-2003	2"	350 PSI	150'	CRIMP-ON	\$44.16



*Low Pressure Vapor Hose.

7122-38200



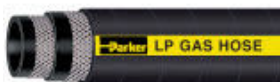
**Cloth style carburetion hose.

7243-311 & SS8UL



High Pressure Hose. 1/4" to 1" I.D.

7132 Series



High Pressure Hose. 1-1/4" to 2" I.D.

7232 Series

Crimp-On Couplings

Item ID	Description	List
7107-0017	1/2" HOSE X 1/2" MNPT	\$11.50
7107-0078	1/2" HOSE X 3/4" MNPT	\$19.72
S101HY-12-12	3/4" HOSE X 3/4" MNPT	\$19.72
7661-16MP16LAR	1" HOSE X 1" MNPT	\$38.74

Item ID	Description	List
S101HY-20-20	1-1/4" HOSE X 1-1/4" MNPT	\$89.96
S10143-24-24	1-1/2" HOSE X 1-1/2" MNPT	\$89.96
7661-32NP32LA	2" HOSE X 2" MNPT	\$215.82



Hose Assemblies

All Propane makes assemblies from 1/2" all the way up to 2". Most hose orders are shipped the same day. On special assemblies for 1/2" and 3/4" hose, we can make one or both sides 1/2" MNPT or 3/4" MNPT. This gives you the added convenience of eliminating the need for a bushing. We test all hose assemblies and issue a test report.

Item ID	Description	Ends
HA050-X	1/2" HOSE ASSEMBLY	1/2" MNPT
HAS050-X	1/2" HOSE ASSEMBLY	3/4" MNPT
HAT050-X	3/4" HOSE ASSEMBLY	1/2" MNPT X 3/4" MNPT
HA075-X	3/4" HOSE ASSEMBLY	3/4" MNPT
HA100-X	1" HOSE ASSEMBLY	1" MNPT
HA125-X	1-1/4" HOSE ASSEMBLY	1-1/4" MNPT
HA150-X	1-1/2" HOSE ASSEMBLY	1-1/2" MNPT
HA200-X	2" HOSE ASSEMBLY	2" MNPT



1/2" - 1" Assy.



1-1/4" - 2" Assy.

When ordering a hose assembly:

- Replace "X" with desired hose length in feet. (e.g. HA075-2 is a 3/4" x 2' hose assembly)
- Specify the size you want on each end for 1/2" and 3/4" hose assemblies

Hose Product Lines

Hose Ferrules

Item ID	Description	List
ME7326	.593" I.D. - 1" OAL	\$0.82
ME7327	.625" I.D. - 1" OAL	\$0.82
ME7328	.656" I.D. - 1" OAL	\$0.82
ME7329	.687" I.D. - 1" OAL	\$0.82
ME7331	.750" I.D. - 1" OAL	\$0.94
ME7332	.781" I.D. - 1" OAL	\$0.94



Hose Barb x Pipe Fittings

Item ID	Description	List
202-42	1/4" HOSE X 1/8" MP	\$1.98
202-44	1/4" HOSE X 1/4" MP	\$1.90
202-46	1/4" HOSE X 3/8" MP	\$2.48
202-48	1/4" HOSE X 1/2" MP	\$3.70
204-44	1/4" HOSE X 1/4" FP	\$2.30
ME4252	3/8" HOSE X 1/4" MP	\$3.84
ME4253	3/8" HOSE X 3/8" MP	\$2.48
ME5653	3/8" HOSE X 3/8" FP	\$3.64



Hose Barb x Flare Fittings

4 Barb Low Pressure	7 Barb High Pressure	Description	List
ME4835	ME5835	1/4" HOSE X 3/8" M. FLARE	\$2.84
ME4855	—	3/8" HOSE X 3/8" M. FLARE	\$2.88
ME4857	—	3/8" HOSE X 1/2" M. FLARE	\$5.28
—	ME5133	1/4" HOSE X 1/4" M. INV. FLARE	\$2.02
ME4333	—	1/4" HOSE X 1/4" F. FLARE SWIVEL	\$3.28
ME4335	ME5335	1/4" HOSE X 3/8" F. FLARE SWIVEL	\$3.40
ME4355	ME5355	3/8" HOSE X 3/8" F. FLARE SWIVEL	\$2.94
ME4357	ME5357	3/8" HOSE X 1/2" F. FLARE SWIVEL	\$4.44



ME4835



ME5133



ME5335

Male POL x Hose Barb



ME1656AH

Item ID	Description	List
ME1656	M. S.N. POL X 1/4" HOSE - PLASTIC HW	\$8.24
ME1656AH	M. S.N. POL X 1/4" HB - BRASS HEX HW	\$12.86
ME1656AR	M.S.N.POL X 1/4" HB - BRASS ROUND HW	\$12.86
ME5930	M. HARD NOSE POL X 1/4" HB - 7/8" NUT	\$6.58
ME5931-78N	M. HARD NOSE POL X 3/8" HB - 7/8" NUT	\$7.66

Push-On Fittings

Item ID	Description	Style	List
4PFJS	1/4" HOSE X 1/4" F. FLARE	1	\$6.74
4PFZB	1/4" HOSE X 3/8" F. FLARE	1	\$3.90
6PFZB	3/8" HOSE X 3/8" F. FLARE	2	\$4.98
6PMB	3/8" HOSE X 3/8" MNPT	3	\$3.96



Screw-On Carburetion Fittings

Item ID	Description	Fits Hose	List
2082044	3/16" HOSE X 1/4" F. FLARE	SS4UL	\$5.96
6FS	5/16" HOSE X 3/8" F. FLARE	7243-311	\$8.86
6FS-45	5/16" HOSE X 3/8" F. FLARE - 45°	7243-311	\$19.34
6FS-90	5/16" HOSE X 3/8" F. FLARE - 90°	7243-311	\$19.22
6-4MP	5/16" HOSE X 1/4" MNPT	7243-311	\$7.86
2082088	13/32" HOSE X 1/2" F. FLARE	SS8UL	\$14.32



6FS

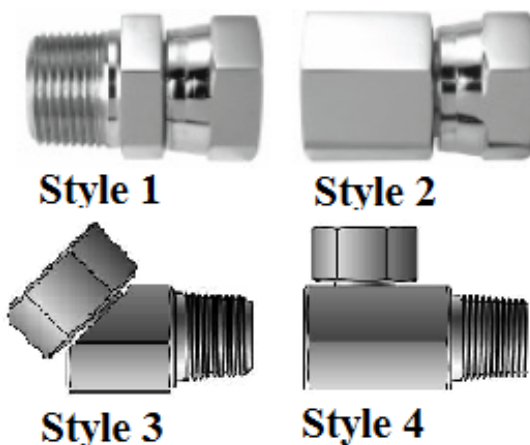


6FS-90

Hose Product Lines

Swivel Adapter Unions

Item ID	Description	Style	List
108-140	1/2" FNPT X 1/2" MNPT	1	\$5.88
108-140F	1/2" FNPT X 1/2" FNPT	2	\$7.14
108-240	3/4" FNPT X 3/4" MNPT	1	\$8.16
108-240F	3/4" FNPT X 3/4" FNPT	2	\$11.96
12MP12FPX45	3/4" FNPT X 3/4" MNPT - 45 DEGREE	3	\$18.98
12MP12FPX90	3/4" FNPT X 3/4" MNPT - 90 DEGREE	4	\$18.98
108-260	1" FNPT X 1" MNPT	1	\$15.92
108-260F	1" FNPT X 1" FNPT	2	\$15.04
16MP16FPX90	1" FNPT X 1" MNPT	4	\$24.50
108-280	1-1/4" FNPT X 1-1/4" MNPT	1	\$24.98
108-300	1-1/2" FNPT X 1-1/2" MNPT	1	\$58.82
108-320	2" FNPT X 2" MNPT	1	\$79.12



Place these adapters on the end of your hose assemblies for ease of connection!

Flex Connectors

These flex connectors are available in custom lengths and can be ordered with various ends. Just let us know what you need!

Item ID	Description	List
TCHS07512U	3/4" MNPT X 3/4" F. UNION - 12" OAL	\$148.00
TCHS07518U	3/4" MNPT X 3/4" F. UNION - 18" OAL	\$165.00
TCHS10012U	1" MNPT X 1" F. UNION - 12" OAL	\$174.00
TCHS10018U	1" MNPT X 1" F. UNION - 18" OAL	\$188.00
TCHS12512U	1-1/4" MNPT X 1-1/4" F. UNION - 12" OAL	\$224.00
TCHS12518U	1-1/4" MNPT X 1-1/4" F. UNION - 18" OAL	\$258.00
TCHS15018U	1-1/2" MNPT X 1-1/2" F. UNION - 18" OAL	\$380.00
TCHS20018U	2" MNPT X 2" F. UNION - 18" OAL	\$388.00
TCHS20024ME	2" MNPT X 2" MNPT - 24" OAL	\$355.00
TCHS30024U	3" MNPT X 3" F. UNION - 24" OAL	\$765.00
TCHS30018FL2	3"-300 LB. FLANGE X 3"-300 LB. FLANGE - 18" OAL	\$952.00



Specs:

- Rated for Propane & NH3
- 350 PSI Working Pressure
- 1750 PSI Burst Pressure
- 321 Stainless Steel Hose
- 304 Braid

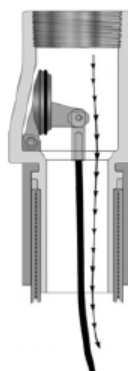
End Options:

- 3000# Carbon Steel Union
- Sch. 80 Carbon Steel MNPT
- 300 LB. Carbon Steel Flange
- Ends also available in stainless steel.

Smart-Hose

Available for LPG or NH3 service and in various lengths. Female pipe ends are standard.

Item ID	Description	List
R09-016-33-0222	2" X 18-1/2' LPG HOSE ASSY	\$2,311.28
R32-016-33-0222	2" X 18-1/2' NH3 HOSE ASSY	\$2,851.68



Smart-Hose
TECHNOLOGIES

- This 2" ID hose is available in various lengths and is most commonly used on transport and bulk plant applications.
- Provides a passive shutdown device by incorporating an internal cable and valves
- Helps prevent product loss and hazard issues in the event of a pull-away.

Hannay Reels Product Line

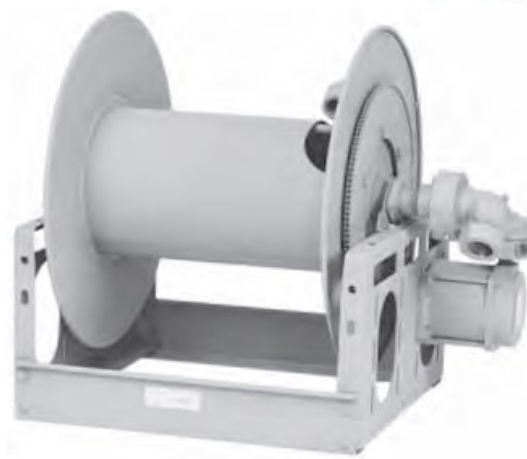
Hose Reels



Series PBN800
Standard Configuration
Shown



Series PB800
Standard Configuration
Shown



Series PB
Electric Rewind Shown

Hannay Hose Reels are available in various options and configurations, including:

- Spring, Electric, or Manual Reels
- Various swivel joint configurations
- Different size, style, and position of rollers

Please specify these options along with the hose size and length when ordering.

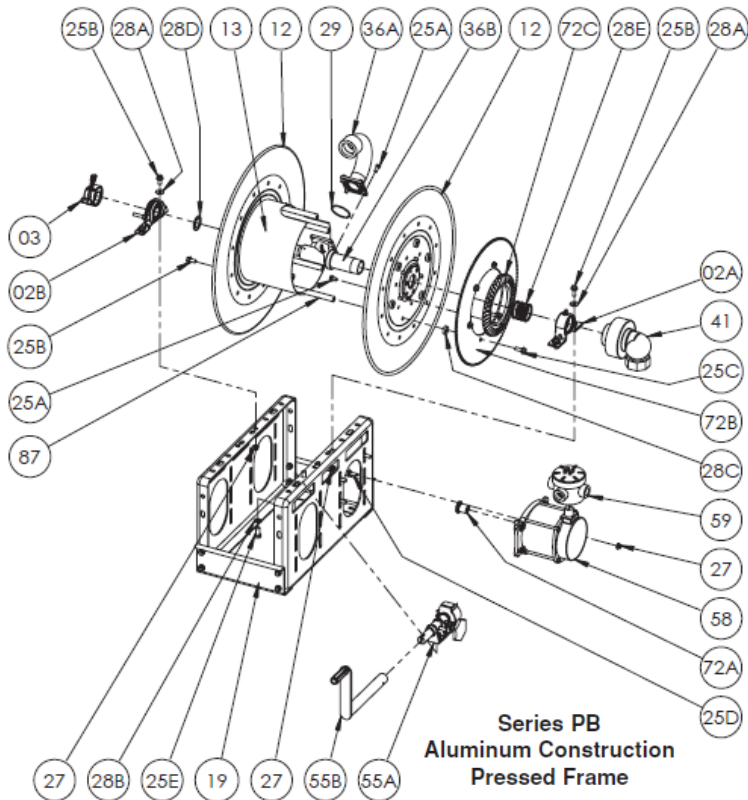
Hannay Reels Common Replacement Parts

Item ID	Description	List
9902.1400	BEARING COMPLETE - 1" SELF-ALIGNING	\$72.00
9902.1610	BEARING - 1-1/2" (SWIVEL JOINT SIDE)	\$100.00
9912.0002	CHAIN 40# - 10' LENGTH (FOR 35# CHAIN, USE 9912.0001)	\$116.00
9912.0009	CONNECTING LINK FOR 40# CHAIN (35# LINK, 9912.010)	\$7.00
9917.0200	EPS-1 SWITCH	\$680.00
9917.0012	INTERNAL SWITCH FOR 9917.0001	\$84.00
9915.0009	MOTOR - 12V 2/3HP	\$780.00
9915.0012	MOTOR BASE MOUNT- 12V 2/3 HP - LEADS @ 9 O'CLOCK	\$760.00
9915.0014	MOTOR BASE MOUNT - 12V 2/3 HP - LEADS @ 3 O'CLOCK	\$760.00
9910.1116	MOTOR SPROCKET 3/4"	\$42.00
9910.1117	MOTOR SPROCKET 1-1/16"	\$42.00
9910.1118	MOTOR SPROCKET 1-5/16"	\$42.00
9910.1119	MOTOR SPROCKET 1-3/4"	\$42.00
9914.0393	PINION GEAR H-27	\$30.00
9936.0642	SEAL KIT FOR 1-1/2" SWIVEL JOINT	\$48.00
9917.0001	SWITCH - EXPB2A - 12V DC - RED DOT	\$320.00
9917.0006	SWITCH BUTTON LESS CAP	\$24.00
9930.0531	SWIVEL JOINT - 1-1/2"	\$830.00

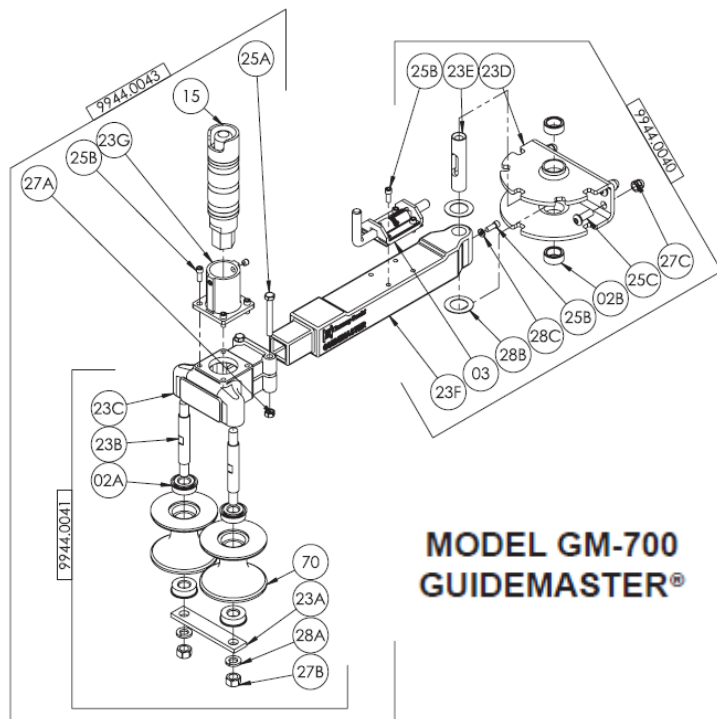
All Propane stocks the most common Hannay Reel replacement parts. If you don't see the part you need, just give us a call and we will help you figure it out.



Hannay Reels Product Line



**Series PB
Aluminum Construction
Pressed Frame**



**MODEL GM-700
GUIDEMASTER®**

Item No.	Description	Unpolished	Quantity
02A	Front Bearing Complete (See ISO-210 for Parts)	9902.1620	1
02B	Back Bearing Complete (See ISO-211 for Parts)	9902.1420	1
03	Strap Brake Assembly (See ISO-212 for Parts)	9947.0090	1
12	Aluminum Disc, 23-24 Series	9903.1152	1
12	Aluminum Disc, 25-26 Series	9903.1352	1
12	Aluminum Disc, 26-27 Series	9903.1452	1
12	Aluminum Disc, 28-29 Series	9903.1552	1
12	Aluminum Disc, 30-31 Series	9903.1652	1
13	Aluminum Drum, 10-1/2" Diameter (Specify Model)	9905.5132	1
19	Aluminum Frame Assembly (Up to 23-24)	9908.2300	1
19	Aluminum Frame Assembly (Up to 30-31)	9908.3300	1
25A	5/16"-18 x 3/4" SST Hex Head Bolt	9960.0002	9
25B	3/8"-16 x 3/4" SST Spinlock Bolt	9960.0009	10
25C	7/8"-16 x 1" SST Spinlock Bolt	9960.0072	6
25D	3/8"-16 x 1" SST Carriage Bolt	9960.0100	4
25E	1/2"-13 x 1" SST Hex Head Bolt	9960.0016	2
27	3/8"-16 SST Spinlock Nut	9960.0091	8
28A	3/8" SST Flat Washer	9960.0010	4
28B	1/2" SST Lock Washer	9960.0017	2
28C	Sprocket Spacer	9954.0017	6
28D	1" Hub Spacer Washer (Plated)	9954.0021	As Needed
28E	1-1/2" Hub Spacer Washer (Plated)	9954.0022	As Needed
29	O-Ring	9965.0028	1
36A	1-1/2" Plated Riser Only	9901.3767	1
36B	1-1/2" Flanged Plated Hub Only (Specify Model)	9901.3641	1
41	1-1/2" 90 Deg. FxF Swivel Joint	9930.0531	1
55A	Manual Rewind Assembly W/ H-27 (See ISO-209 for Parts)	9914.0200	1
55A	Manual Rewind Assembly W/ H-29 (See ISO-209 for Parts)	9914.0210	1
55B	Stainless Steel Crank Handle, H-18 Complete (See ISO-214 for Parts)	9914.0014	1
58	Motor, 12 Volt Explosion-Proof	9915.0009	1
59	Junction Box Complete	9917.0060	1
60	Chain, #40 (Not Shown)	Specify Model	1
72A	Motor Sprocket, 9T40 x 1-5/16	9910.0917	1
72B	104T40 Chrome Silver Disc Sprocket	9910.3121	1
72B	134T40 Chrome Silver Disc Sprocket	9910.3125	1
72C	Ring Gear, H-26 (Up to 25-26)	9914.0372	1
72C	Ring Gear, H-28	9914.0382	1
87	Anodized Threaded Spacer Pipe	Spec Model	6

Item No.	Description	PART NUMBER	Quantity
2A	GM Ball Bearing (5/8" I.D.), per P02A-00510	9945.0026	4
2B	Oil-impregnated Bronze Bushing, per P02A-00500	9945.0011	2
3	Guidemaster® Pinlock Ass'y (SST), per P23A-00140	9945.1003	1
15	EPS-1 Explosion-Proof Switch	9917.0200	1
23A	Guidemaster® Bottom Roller Plate, per P23A-00220	9945.1004	1
23B	Guidemaster® Roller Mounting Bolt, per P23A-00270 (S.	9945.1005	2
23C	Roller Body Casting w/ 2 Item 25A, per P23A-00120	9945.1001	1
23D	Mounting Yoke w/ 2 Item 2A Installed, per P23A-00440	9945.0009	1
23E	SST Pivot Pin w/ Item 25B, per P23A-00060	9945.0024	1
23F	Guide Arm Casting, per P23A-00110	9945.1002	1
23G	Switch Mounting Bracket w/ Hardware, per P23A-00380	9917.0207	1
25A	5/16"-24 x 2-1/2" Stainless Steel Hex Bolt	9945.0013	2
25B	1/4"-20 x 5/8" SST Socket Head Cap Screw	9945.0055	9
25C	3/8"-16 x 7/8" Button Socket Head	9904.9201	4
27A	5/16"-24 Stainless Steel Hex Nut	9945.0027	2
27B	1/2"-13 Stainless Steel Hex Nut	9960.0018	2
27C	3/8"-16 Hex Acorn Nut	9904.5290	4
28A	1/2" Lock Washer	9954.0030	2
28B	SST Spacer 1" I.D. x 1-5/8" O.D. x 20 GA	9954.0037	2
28C	1/4" Lock Washer	9954.0028	1
70	GM (Polished) Roller w/ 2 Item 2A Installed	9945.0019	2

Manchester Tank Product Line

DOT Cylinders

Item ID	Description	List
130003	1# W/ OPD - "ONE SMALL CYLINDER" - VERTICAL	\$69.00
10054	5# W/ OPD - 1.2 GALLON - VERTICAL	\$114.40
10228.4	10# W/ OPD - 2.4 GALLON - VERTICAL	\$122.76
10393.1	11# W/ OPD - 2.6 GALLON - VERTICAL	\$119.00
10504	20# W/ OPD - 4.6 GALLON - VERTICAL	\$69.96
10487TC	20# W/ OPD & GAUGE - 4.6 GALLON - HORIZONTAL	\$276.56
1160TC.5	30# W/ OPD - 6.8 GALLON - VERTICAL	\$121.00
1175TC	30# W/ OPD & GAUGE - 6.8 GALLON - HORIZONTAL	\$290.20
1220.13	40# W/ OPD - 9.2 GALLON - VERTICAL	\$187.36
14990TC	50# POL - 11.4 GALLON - VERTICAL	\$220.72
1426TC	60# POL - 13.7 GALLON - VERTICAL	\$263.78
1428	100# POL - 22.9 GALLON - VERTICAL	\$277.12



5# VERTICAL/10054



100# VERTICAL/1428



20# HORIZONTAL W/ GAUGE/10487TC

Lifting Lugs standard on 200# & 420#

100#, 200#, & 420# Cylinders

ASME vs. DOT

- ASME is more durable and lasts longer than a DOT cylinder.
- ASME cylinders do not require a retest period. DOT retest periods are 12 years after manufacturing, then every 5 years.

Item ID	Description	List
68143HL	100# - 22.9 GALLON - ASME	\$590.50
14205TC.11HL	200# - 45.6 GALLON - DOT	\$700.00
6765.11HL	200# - 45.6 GALLON - ASME	\$870.00
1499TC.11HL	420# - 95.9 GALLON - DOT	\$1,160.00
6762.11HL	420# - 95.9 GALLON - ASME	\$1,170.00



100#/ASME MINI



200# DOT/57 GAL. ASME



420# DOT/120 GAL. ASME

Forklift Cylinders

Item ID	Description	List
5305	14.25# - 3.2 GALLON - STEEL	\$437.00
5560TC	20# - 4.6 GALLON - STEEL	\$270.76
9305	20# - 4.6 GALLON - ALUMINUM	\$361.94
5580TC	33.5# - 7.7 GALLON - STEEL	\$254.64
9315	33.5# - 7.7 GALLON - ALUMINUM	\$371.80
5595TC	43.5# - 9.9 GALLON - STEEL	\$331.24
9161	43.5# - 9.9 GALLON - ALUMINUM	\$473.96



20#/5560TC



33.5#/5580TC



43.5#/5595TC



Manchester Tank Product Line

Buffer Cylinders

Item ID	Description	List
5461TC	20# W/ OPD & GAUGE - 4.6 GALLON - STEEL	\$277.94
9257TC	20# W/ OPD & GAUGE - 4.6 GALLON - ALUMINUM	\$379.98



RV & Autogas Products



RV Tanks



ASME Single Autogas Tanks



Strap Brackets



All Propane is your source for Manchester Tank RV & Autogas Products, including:

- RV Tanks
- Single Autogas Tanks
- Autogas Manifold Tanks
- Strap Brackets

For more specs and to identify the tanks you need, give us a call or visit the Manchester Tank website.

www.mantank.com

Autogas Manifold Tanks

OPD Valves

Item ID	Description	List
V21113	FOR 5#, 10#, & 11# CYLINDERS - 3.0" DIP TUBE	\$31.80
V21130	FOR 5#, 10#, & 11# CYLINDERS - 3.6" DIP TUBE	\$31.80
80.8180	FOR 20# CYLINDERS - 4.0" DIP TUBE	\$19.98
150360	FOR 20# CYLINDERS - 4.0" DIP TUBE - W/ GAUGE	\$33.74
V20691.1	FOR 20# HORIZONTAL CYLINDERS - 4.7" DIP TUBE	\$39.82
V21012	FOR 20# BUFFER CYLINDERS - 3/4" MP X 3/8" MP	\$106
80.8184	FOR 30# CYLINDERS - 4.6" DIP TUBE	\$27.98
150361	FOR 30# CYLINDERS - 4.6" DIP TUBE - W/ GAUGE	\$38.40
PV3004A	FOR 30# ALUMINUM CYLINDERS	\$31.88
80.8185	FOR 40# CYLINDERS - 6.5" DIP TUBE	\$29.98
PV4004A	FOR 40# ALUMINUM CYLINDERS	\$34.40
V13414	CEODUEX AUTOSTOP FILL VALVE - 3/4" X 1-3/4" ACME	\$99.52
94QCC1	BLACK REPLACEMENT CAP	\$0.74



80.8180
80.8184
80.8185

150360
150361



V13414

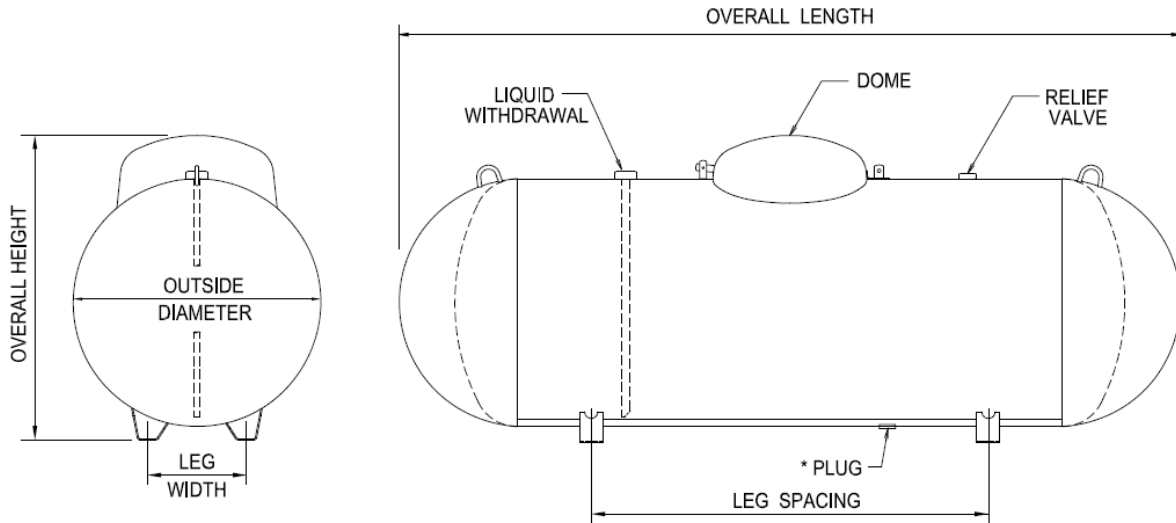


94QCC1

Trinity Containers Product Line

Above Ground Domestic Tanks

TRINITY CONTAINERS, LLC



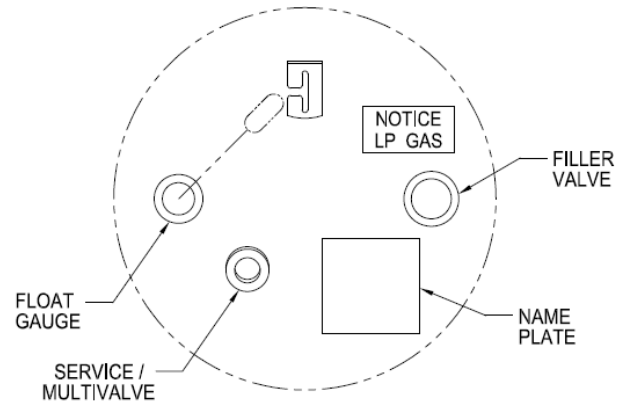
General Specifications

Conforms to the last edition and addenda of the ASME code for Pressure Vessels, Section VIII, Division 1. Complies with NFPA 58.

Rated at 250 psig from -20° F. to 125° F. All tanks may be evacuated to a full (14.7 psi) vacuum.

Vessel Finish: Coated with TGIC powder.

Liquid withdrawal opening located under the dome on the 120wg vessels ONLY.



ABOVEGROUND VESSEL DIMENSIONAL INFORMATION

All vessels dimensions are approximate

WATER CAPACITY	OUTSIDE DIAMETER	HEAD TYPE	OVERALL LENGTH	OVERALL HEIGHT	LEG WIDTH	LEG SPACING	WEIGHT (APPROX.)	List
* 120 wg. 454.2 L	24" 609.6 mm	Ellip	5' - 5 13/16" 1671.6 mm	2' - 8 1/4" 819.2 mm	10 1/8" 257.2 mm	3' - 0" 914.4 mm	250 lbs. 113.4 kg.	\$2,500.00
* 250 wg. 946.3 L	31.5" 800.1 mm	Hemi	7' - 2 1/2" 2197.1 mm	3' - 3 3/4" 1009.7 mm	12 3/4" 323.9 mm	3' - 6" 1066.8 mm	480 lbs. 217.7 kg.	\$3,700.00
* 320 wg. 1211.2 L	31.5" 800.1 mm	Hemi	8' - 11 3/4" 2736.9 mm	3' - 3 3/4" 1009.7 mm	12 3/4" 323.9 mm	4' - 0 1/4" 1225.6 mm	600 lbs. 272.2 kg.	\$4,000.00
500 wg. 1892.5 L	37.42" 950.5 mm	Hemi	9' - 10" 2997.2 mm	3' - 9 11/16" 1160.5 mm	15" 381.0 mm	5' - 0" 1524.0 mm	910 lbs. 412.2 kg	\$4,000.00
1000 wg. 3785.0 L	40.96" 1040.4 mm	Hemi	15' - 10 13/16" 4846.6 mm	4' - 1 3/8" 1254.1 mm	16 1/4" 412.8 mm	9' - 0" 2743.2 mm	1750 lbs. 793.8 kg	\$6,700.00
1465 wg. 5545.0 L	46.77" 1188 mm	Ellip	17' - 6 7/8" 5356.2 mm	4' - 4 3/4" 1339.9 mm	21" 533.4 mm	10' - 0" 3048 mm	2820 lbs. 1279.1 kg	\$10,200.00
2000 wg. 7570.0 L	46.77" 1188 mm	Ellip	23' - 9" 7239 mm	4' - 7" 1709.7 mm	21" 533.4 mm	20' - 0" 6096 mm	3510 lbs. 1592.1 kg	\$20,000.00

* DRAIN PLUG NOT AVAILABLE

Please call for information on underground tanks. To order 17# anode bags, please use part # 125MB.

Polyethylene Pipe & Fittings

Poly-Tubing

Poly-tubing is meant for vapor applications only. Below are the available coil lengths by size.

Item ID	Size	Coil Lengths	List/Foot
CTS050	1/2" CTS	500'	\$0.80
IPS075	3/4" IPS	100', 150', 250', 500'	\$0.90
IPS100	1" IPS	100', 150', 250', 300', 500'	\$1.34
IPS125	1-1/4" IPS	250', 500'	\$2.20
IPS150	1-1/2" IPS	250', 500'	\$2.20
IPS200	2" IPS	200', 250', 500'	\$3.68



Risers w/ Coupling



New by Perfection, 2.0 mechanical fittings. The new style Perfection mechanical fittings now seal at the OD and ID, creating a better seal. All new fittings are the 2.0 style and require a new 2.0 chamfering tool.



Item ID	Description	List
77181	1/2" CTS X 3/4" MNPT	\$98.78
79354	3/4" IPS X 3/4" MNPT	\$133.54
79350	1" IPS X 1" MNPT	\$168.68
75901	1-1/4" IPS X 1-1/4" MNPT	\$239.78
79784	1-1/2" IPS X 1-1/2" MNPT	\$499.92
75906	2" IPS X 2" MNPT	\$464.46



Risers without Coupling

These risers feature a fusion end. You can either insert a separate mechanical coupling or heat a fusion coupling to poly-tubing. A heating tool is required for installation with a fusion type coupling.

Item ID	Description	List
PRA-34	3/4" IPS X 3/4" MNPT	\$74.70
PRA-1	1" IPS X 1" MNPT	\$84.96



Mechanical Couplings

Item ID	Description	List
50100	1/2" CTS X 1/2" CTS	\$33.58
50030	3/4" IPS X 3/4" IPS	\$46.64
50601	1" IPS X 1" IPS	\$69.86
50035	1-1/4" IPS X 1-1/4" IPS	\$134.66
50361	1-1/2" IPS X 1-1/2" IPS	\$168.36
50314	2" IPS X 2" IPS	\$194.48



Polyethylene Pipe & Fittings

Mechanical Reducer Couplings

Item ID	Description	List
50969	1/2" CTS X 3/4" IPS	\$89.68
51432	3/4" IPS X 1" IPS	\$162.22
50195	3/4" IPS X 1-1/4" IPS	\$134.48
50343	1-1/4" IPS X 1" IPS	\$267.00
50333	1-1/4" IPS X 2" IPS	\$294.80



Mechanical Elbows

Item ID	Description	List
50294	1/2" CTS	\$76.00
51620	3/4" IPS	\$110.82
50636	1" IPS	\$166.90
50325	1-1/4" IPS	\$246.42
50315	2" IPS	\$453.70



Mechanical 3-Way Tees

Item ID	Description	List
50199	1/2" CTS (3)	\$86.62
50929	3/4" IPS (3)	\$132.68
50634	1" IPS (3)	\$190.66
50327	1-1/4" IPS (3)	\$366.38
50316	2" IPS (3)	\$624.84



Transition Fittings

Item ID	Description	List
PT34	3/4" IPS X 3/4" MNPT	\$38.20
PT1	1" IPS X 1" MNPT	\$40.36
PT114	1-1/4" IPS X 1-1/4" MNPT	\$51.48
PT2	2" IPS X 2" MNPT	\$74.40



Mechanical 3-Way Reducing Tees

Item ID	Description	List
50461	3/4" IPS X 3/4" IPS X 1/2" CTS	\$163.68
51323	2" IPS X 2" IPS X 1-1/4" IPS	\$529.68



Chamfering Tools - 2.0



New 2.0 Chamfering Tools are required for use on new style 2.0 mechanical fittings. This tool chamfers the OD and ID.

Item ID	Description	List
58500	1/2" CTS	\$70.14
58503	3/4" IPS	\$70.14
58505	1" IPS	\$70.14
58507	1-1/4" IPS	\$70.14
58509	2" IPS	\$110.42



Tracer Wire

Item ID	Description	List
TW14	500' ROLL	\$138.68



Socket Fusion Fittings

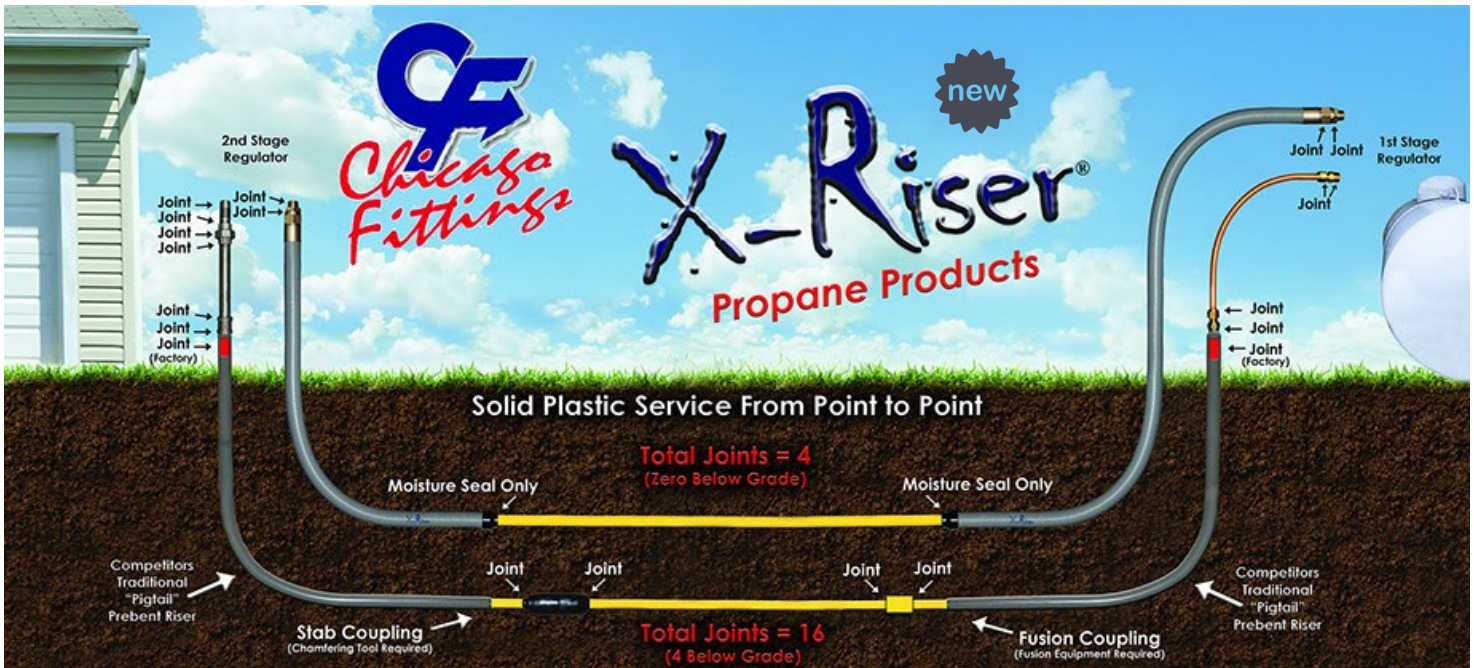
Socket Fusion Fittings cost much less than mechanical fittings, but they require a special heating tool to make connections and take more time to install than mechanical fittings.

Item ID	Size	Type	List
S934	3/4" IPS	ELBOW	\$10.62
S91	1" IPS	ELBOW	\$12.68
SCP34	3/4" IPS	COUPLING	\$6.66
SCP1	1" IPS	COUPLING	\$8.38
ST34	3/4" IPS	TEE	\$9.84
ST1	1" IPS	TEE	\$11.84



Chicago Fittings Product Line

Flexible Risers



New! By Chicago Fittings, Flexible X-Risers. Features & Benefits:

No Underground Joints - One solid service line from point-to-point with above ground terminations.

No Chamfering - A simple clean cut is all that is required.

Bi-Directional Seal - Assembly CAN'T be installed improperly where some competitors multiple internal components MUST have proper order and orientation to function properly.

No Torque Requirements - All X-Risers incorporate the "bottoming" of "positive stop" design. Simply tighten the compression nut until it is metal-to-metal and you are done.

Simple Design - Can be installed with one flat jaw wrench extending the life of protective coatings commonly flawed or removed by pipe wrenches.

Integral Barbed Stiffeners - Are permanent (not loose) for additional pull out resistance.

Quality - Chicago Fittings products are CNC machined from solid bar stock (not castings) providing high quality product with the most precise threads and design flexibility.

Cost - You will realize a cost savings compared to traditional rigid risers. Call All Propane for more info!

Item ID	Description	List
XR-10B-8-36-L-ZDC	1/2" CTS X 1/2" MPT - 36" OAL	\$44.94
XR-10B-8-72-L-ZDC	1/2" CTS X 1/2" MPT - 72" OAL	\$52.36
XR-10B-12-36-L-ZDC	1/2" CTS X 3/4" MPT - 36" OAL	\$44.94
XR-10B-12-72-L-ZDC	1/2" CTS X 3/4" MPT - 72" OAL	\$52.36
XR-17C-12-36-L-ZDC	3/4" IPS X 3/4" MPT - 36" OAL	\$82.48
XR-17C-12-72-L-ZDC	3/4" IPS X 3/4" MPT - 72" OAL	\$106.52



Couplings

These couplings allow you to connect two pieces of poly-tubing together.

Item ID	Description	List	Item ID	Description	List	Item ID	Description	List
M750C10	1/2" CTS	\$38.68	M750C21	1" IPS	\$95.24	M750C31	1-1/2" IPS	\$148.68
M750C17	3/4" IPS	\$64.42	M750C27	1-1/4" IPS	\$99.84	M750C38	2" IPS	\$169.16



Ball Valves

Jomar Full Port Ball Valves

These full port ball valves feature a brass body and are rated as follows:

1/4"-3/4" 600 WOG; 1"-2" 500 WOG; 3" 400 WOG

Item ID	Size	List
100701	1/4" FNPT	\$18.80
100702	3/8" FNPT	\$18.80
100703	1/2" FNPT	\$18.80
100704	3/4" FNPT	\$27.28
100705	1" FNPT	\$44.82
100706	1-1/4" FNPT	\$79.46
100707	1-1/2" FNPT	\$95.14
100708	2" FNPT	\$144.98
100710	3" FNPT	\$503.78



Apollo 80 Series Ball Valves

These heavy duty Apollo Valves feature a heavy duty bronze body and are rated at 600 PSI WOG.

Item ID	Size	List
8010101	1/4" FNPT	\$39.84
8010201	3/8" FNPT	\$39.84
8010301	1/2" FNPT	\$39.84
8010401	3/4" FNPT	\$59.83
8010501	1" FNPT	\$85.48
8010601	1-1/4" FNPT	\$140.14
8010701	1-1/2" FNPT	\$169.52
8010801	2" FNPT	\$199.90
8010001	3" FNPT	\$1,105.74



Jomar Replacement Handles

These non-locking handles are only meant to be used on Jomar 100 Series Ball Valves.

Item ID	Fits	List
899-701	1/4", 3/8", & 1/2"	\$10.84
899-704	3/4"	\$10.84
899-705	1" & 1-1/4"	\$14.32
899-708	1-1/2" & 2"	\$25.32
899-710	2-1/2" & 3"	\$32.30

Apollo 3-Way Ball Valves

Item ID	Size	List
7060101	1/4" FNPT	\$62.76
7060301	1/2" FNPT	\$62.76
7060401	3/4" FNPT	\$86.98
7060501	1" FNPT	\$114.56



400 PSI WOG

Jomar Lockwing Utility Gas Ball Valve

This full port brass ball valve features a locking handle and a tamper resistant locking cap.

Item ID	Size	List
240-004B	3/4" FNPT X 3/4" FNPT	\$47.52



Jomar Four-Bolt S.S. Ball Valves

Item ID	Size	List
500301	1/4" FNPT	\$69.06
500302	3/8" FNPT	\$69.06
500303	1/2" FNPT	\$69.06
500304	3/4" FNPT	\$89.40
500305	1" FNPT	\$119.50
500306	1-1/4" FNPT	\$187.50
500307	1-1/2" FNPT	\$253.40
500308	2" FNPT	\$367.86



- Stainless Steel Body & Handle
- Latch lock handle
- Full Port
- 3 Piece, 4 Bolt
- 1000 PSI WOG Rating

Jomar T-82-M Series

Item ID	Size	List
100299	1/4" FNPT X 1/4" MNPT	\$15.20
100300	1/4" FNPT X 1/4" FNPT	\$15.20



Steel Pipe & Fittings

Standard Sch. 40 Pipe Nipples

Item ID	Size	List
AP1AN0201BK	1/4" X CLOSE	\$2.62
AP1AN0301BK	3/8" X CLOSE	\$2.38
AP1AN0501BK	1/2" X CLOSE	\$1.92
AP1AN0515BK	1/2" X 1-1/2"	\$1.88
AP1AN0520BK	1/2" X 2"	\$2.28
AP1AN0525BK	1/2" X 2-1/2"	\$2.40
AP1AN0530BK	1/2" X 3"	\$2.40
AP1AN0535BK	1/2" X 3-1/2"	\$3.00
AP1AN0540BK	1/2" X 4"	\$3.00
AP1AN0550BK	1/2" X 5"	\$3.74
AP1AN0560BK	1/2" X 6"	\$4.18
AP1AN0580BK	1/2" X 8"	\$5.68
AP1AN05100BK	1/2" X 10"	\$6.78
AP1AN05120BK	1/2" X 12"	\$7.98
AP1AN0701BK	3/4" X CLOSE	\$2.06
AP1AN0715BK	3/4" X 1-1/2"	\$2.26
AP1AN0720BK	3/4" X 2"	\$2.26
AP1AN0725BK	3/4" X 2-1/2"	\$2.88
AP1AN0730BK	3/4" X 3"	\$2.88
AP1AN0735BK	3/4" X 3-1/2"	\$3.30
AP1AN0740BK	3/4" X 4"	\$3.90
AP1AN0745BK	3/4" X 4-1/2"	\$3.90
AP1AN0750BK	3/4" X 5"	\$3.90
AP1AN0755BK	3/4" X 5-1/2"	\$4.90
AP1AN0760BK	3/4" X 6"	\$5.44
AP1AN0780BK	3/4" X 8"	\$6.90
AP1AN07100BK	3/4" X 10"	\$9.14
AP1AN07120BK	3/4" X 12"	\$10.84
AP1AN1001BK	1" X CLOSE	\$3.32
AP1AN1020BK	1" X 2"	\$3.64
AP1AN1030BK	1" X 3"	\$3.88
AP1AN1040BK	1" X 4"	\$4.80
AP1AN1050BK	1" X 5"	\$4.80
AP1AN1060BK	1" X 6"	\$5.50



All Schedule 40 Nipples and Fittings start with part # AP1. All schedule 40 nipples and fittings are available galvanized. To order galvanized instead of black, replace BK with G in the suffix. For example, AP1AN0201G.

Standard Sch. 40 Couplings

Item ID	Size	List
AP1CF02BK	1/4"	\$3.06
AP1CF03BK	3/8"	\$3.06
AP1CF05BK	1/2"	\$3.40
AP1CF07BK	3/4"	\$4.60
AP1CF10BK	1"	\$6.90



Standard Sch. 40 Unions

Item ID	Size	List
AP1UN02BK	1/4"	\$9.82
AP1UN03BK	3/8"	\$9.14
AP1UN05BK	1/2"	\$12.96
AP1UN07BK	3/4"	\$12.76
AP1UN10BK	1"	\$14.88



Standard Sch. 40 Dielectric Unions

Item ID	Size	List
701-404	3/4"	\$9.98



Standard Sch. 40 Caps

Item ID	Size	List
AP1CA02BK	1/4"	\$2.36
AP1CA03BK	3/8"	\$3.18
AP1CA05BK	1/2"	\$2.40
AP1CA07BK	3/4"	\$3.14
AP1CA10BK	1"	\$3.14



Standard Sch. 40 Square-Head Plug

Item ID	Size	List
AP1PS02BK	1/4"	\$1.92
AP1PS03BK	3/8"	\$1.92
AP1PS05BK	1/2"	\$2.18
AP1PS07BK	3/4"	\$2.68
AP1PS10BK	1"	\$2.68



Steel Pipe & Fittings

Standard Sch. 40 Hex Bushings

Item ID	MP X FP	List
AP1BH0302BK	3/8" X 1/4"	\$4.42
AP1BH0502BK	1/2" X 1/4"	\$4.42
AP1BH0503BK	1/2" X 3/8"	\$4.42
AP1BH0702BK	3/4" X 1/4"	\$4.16
AP1BH0703BK	3/4" X 3/8"	\$4.16
AP1BH0705BK	3/4" X 1/2"	\$4.16
AP1BH1002BK	1" X 1/4"	\$5.28
AP1BH1003BK	1" X 3/8"	\$5.28
AP1BH1005BK	1" X 1/2"	\$5.28
AP1BH1007BK	1" X 3/4"	\$5.28



Standard Sch. 40 Elbows 45°

Item ID	Size	List
AP1FE02BK	1/4"	\$3.68
AP1FE03BK	3/8"	\$3.68
AP1FE05BK	1/2"	\$3.68
AP1FE07BK	3/4"	\$4.82
AP1FE10BK	1"	\$6.64



Standard Sch. 40 Street Elbows 45°

Item ID	Size	List
AP1FS02BK	1/4"	\$6.56
AP1FS03BK	3/8"	\$6.56
AP1FS05BK	1/2"	\$6.56
AP1FS07BK	3/4"	\$7.74
AP1FS10BK	1"	\$8.88



Standard Sch. 40 Bell Reducers

Item ID	FP X FP	List
AP1CR0201BK	1/4" X 1/8"	\$3.48
AP1CR0301BK	3/8" X 1/8"	\$3.48
AP1CR0302BK	3/8" X 1/4"	\$3.90
AP1CR0501BK	1/2" X 1/8"	\$3.00
AP1CR0502BK	1/2" X 1/4"	\$4.20
AP1CR0503BK	1/2" X 3/8"	\$4.20
AP1CR0703BK	3/4" X 3/8"	\$4.90
AP1CR0705BK	3/4" X 1/2"	\$3.42
AP1CR1003BK	1" X 3/8"	\$5.30
AP1CR1005BK	1" X 1/2"	\$5.96
AP1CR1007BK	1" X 3/4"	\$6.96



Standard Sch. 40 Elbows 90°

Item ID	Size	List
AP1NE02BK	1/4"	\$2.88
AP1NE03BK	3/8"	\$2.88
AP1NE05BK	1/2"	\$2.48
AP1NE07BK	3/4"	\$2.98
AP1NE10BK	1"	\$7.28



Standard Sch. 40 Street Elbows 90°

Item ID	Size	List
AP1NS02BK	1/4"	\$4.90
AP1NS03BK	3/8"	\$4.90
AP1NS05BK	1/2"	\$5.90
AP1NS07BK	3/4"	\$5.32
AP1NS10BK	1"	\$7.70



Standard Sch. 40 Tees

Item ID	Size	List
AP1TE02BK	1/4"	\$6.00
AP1TE03BK	3/8"	\$6.00
AP1TE05BK	1/2"	\$2.90
AP1TE07BK	3/4"	\$4.48
AP1TE10BK	1"	\$7.28



Steel Pipe & Fittings

Extra Heavy Sch. 80 Seamless Nipples

Item ID	Size	List
AP2AS0201BK	1/4" X CLOSE	\$9.60
AP2AS0230BK	1/4" X 3"	\$12.82
AP2AS0240BK	1/4" X 4"	\$16.02
AP2AS0260BK	1/4" X 6"	\$29.50
AP2AS0301BK	3/8" X CLOSE	\$10.30
AP2AS0501BK	1/2" X CLOSE	\$4.60
AP2AS0520BK	1/2" X 2"	\$6.88
AP2AS0525BK	1/2" X 2-1/2"	\$7.38
AP2AS0530BK	1/2" X 3"	\$7.38
AP2AS0535BK	1/2" X 3-1/2"	\$8.28
AP2AS0540BK	1/2" X 4"	\$8.28
AP2AS0545BK	1/2" X 4-1/2"	\$8.78
AP2AS0550BK	1/2" X 5"	\$10.08
AP2AS0555BK	1/2" X 5-1/2"	\$10.88
AP2AS0560BK	1/2" X 6"	\$13.08
AP2AS0701BK	3/4" X CLOSE	\$5.10
AP2AS0715BK	3/4" X 1-1/2"	\$5.76
AP2AS0720BK	3/4" X 2"	\$6.00
AP2AS0725BK	3/4" X 2-1/2"	\$6.82
AP2AS0730BK	3/4" X 3"	\$8.38
AP2AS0735BK	3/4" X 3-1/2"	\$9.54
AP2AS0740BK	3/4" X 4"	\$9.72
AP2AS0745BK	3/4" X 4-1/2"	\$12.68
AP2AS0750BK	3/4" X 5"	\$12.68
AP2AS0755BK	3/4" X 5-1/2"	\$13.62
AP2AS0760BK	3/4" X 6"	\$13.62
AP2AS07120BK	3/4" X 12"	\$39.68
AP2AS1001BK	1" X CLOSE	\$7.64
AP2AS1020BK	1" X 2"	\$9.26
AP2AS1025BK	1" X 2-1/2"	\$9.26
AP2AS1030BK	1" X 3"	\$12.86
AP2AS1035BK	1" X 3-1/2"	\$12.86
AP2AS1040BK	1" X 4"	\$13.60

Item ID	Size	List
AP2AS1045BK	1" X 4-1/2"	\$15.18
AP2AS1050BK	1" X 5"	\$18.14
AP2AS1055BK	1" X 5-1/2"	\$18.88
AP2AS1060BK	1" X 6"	\$18.88
AP2AS10120BK	1" X 12"	\$58.70
AP2AS1201BK	1-1/4" X CLOSE	\$10.82
AP2AS1220BK	1-1/4" X 2"	\$10.82
AP2AS1225BK	1-1/4" X 2-1/2"	\$10.82
AP2AS1230BK	1-1/4" X 3"	\$12.60
AP2AS1235BK	1-1/4" X 3-1/2"	\$13.76
AP2AS1240BK	1-1/4" X 4"	\$15.46
AP2AS1245BK	1-1/4" X 4-1/2"	\$16.36
AP2AS1250BK	1-1/4" X 5"	\$20.16
AP2AS1255BK	1-1/4" X 5-1/2"	\$20.66
AP2AS1260BK	1-1/4" X 6"	\$21.06
AP2AS1501BK	1-1/2" X CLOSE	\$15.00
AP2AS2001BK	2" X CLOSE	\$13.58
AP2AS2025BK	2" X 2-1/2"	\$15.26
AP2AS2030BK	2" X 3"	\$17.64
AP2AS2040BK	2" X 4"	\$21.10
AP2AS2050BK	2" X 5"	\$26.72
AP2AS2060BK	2" X 6"	\$30.66
AP2AS3001BK	3" X CLOSE	\$79.66
AP2AS3040BK	3" X 4"	\$81.64
AP2AS3060BK	3" X 6"	\$84.50

All Extra Heavy Nipples and fittings start with part # AP2.



XH Sch. 80 Couplings - 3000#

Item ID	Size	List
AP2CF02BK	1/4"	\$4.86
AP2CF05BK	1/2"	\$4.76
AP2CF07BK	3/4"	\$5.44
AP2CF10BK	1"	\$9.16
AP2CF12BK	1-1/4"	\$15.48
AP2CF15BK	1-1/2"	\$19.48
AP2CF20BK	2"	\$23.96



Steel Pipe & Fittings

XH Sch. 80 Tees - 2000#

Item ID	Size	List
AP2TE02BK	1/4"	\$11.88
AP2TE05BK	1/2"	\$11.68
AP2TE07BK	3/4"	\$14.94
AP2TE10BK	1"	\$22.20
AP2TE12BK	1-1/4"	\$36.54
AP2TE15BK	1-1/2"	\$43.82
AP2TE20BK	2"	\$58.66



XH Sch. 80 Elbows 90° - 2000#

Item ID	Size	List
AP2NE02BK	1/4"	\$8.78
AP2NE05BK	1/2"	\$9.20
AP2NE07BK	3/4"	\$10.22
AP2NE10BK	1"	\$13.92
AP2NE12BK	1-1/4"	\$26.00
AP2NE15BK	1-1/2"	\$31.50
AP2NE20BK	2"	\$42.76



XH Sch. 80 Unions - 3000#

Item ID	Size	List
AP2UN02BK	1/4"	\$19.90
AP2UN03BK	3/8"	\$19.90
AP2UN05BK	1/2"	\$16.78
AP2UN07BK	3/4"	\$22.00
AP2UN10BK	1"	\$28.84
AP2UN12BK	1-1/4"	\$46.88
AP2UN15BK	1-1/2"	\$50.68
AP2UN20BK	2"	\$73.40



XH Sch. 80 Street Elbow 90° - 3000#

Item ID	Size	List
AP2NS02BK	1/4"	\$19.36
AP2NS05BK	1/2"	\$18.74
AP2NS07BK	3/4"	\$22.86
AP2NS10BK	1"	\$31.34
AP2NS12BK	1-1/4"	\$55.54
AP2NS20BK	2"	\$99.50



XH Sch. 80 Caps

Item ID	Size	List
AP2CA12BK	1-1/4"	\$16.40
AP2CA20BK	2"	\$28.92
AP2CA30BK	3"	\$120.72



XH Sch. 80 Square-Head Plugs

Item ID	Size	List
AP2PS02BK	1/4"	\$2.20
AP2PS03BK	3/8"	\$2.36
AP2PS05BK	1/2"	\$2.36
AP2PS07BK	3/4"	\$3.16
AP2PS10BK	1"	\$4.88
AP2PS12BK	1-1/4"	\$9.04
AP2PS15BK	1-1/2"	\$10.32
AP2PS20BK	2"	\$17.14



* Available with a hex head. Use part # AP2PH.

XH Sch. 80 Elbows 45° - 2000#

Item ID	Size	List
AP2FE05BK	1/2"	\$12.90
AP2FE07BK	3/4"	\$15.60
AP2FE10BK	1"	\$18.16
AP2FE12BK	1-1/4"	\$27.34
AP2FE20BK	2"	\$53.20



XH Sch. 80 Crosses - 2000#

Item ID	Size	List
AP2CX02BK	1/4"	\$34.60
AP2CX07BK	3/4"	\$46.56
AP2CX10BK	1"	\$52.64



Steel Pipe & Fittings

XH Sch. 80 Hex Bushings

Item ID	MP X FP	List
AP2BH0201BK	1/4" X 1/8"	\$2.98
AP2BH0301BK	3/8" X 1/8"	\$2.98
AP2BH0302BK	3/8" X 1/4"	\$2.98
AP2BH0502BK	1/2" X 1/4"	\$3.24
AP2BH0503BK	1/2" X 3/8"	\$3.24
AP2BH0702BK	3/4" X 1/4"	\$3.92
AP2BH0703BK	3/4" X 3/8"	\$3.92
AP2BH0705BK	3/4" X 1/2"	\$3.92
AP2BH1002BK	1" X 1/4"	\$5.76
AP2BH1003BK	1" X 3/8"	\$5.76
AP2BH1005BK	1" X 1/2"	\$5.76
AP2BH1007BK	1" X 3/4"	\$5.76
AP2BH1202BK	1-1/4" X 1/4"	\$10.52
AP2BH1205BK	1-1/4" X 1/2"	\$10.52
AP2BH1207BK	1-1/4" X 3/4"	\$10.52
AP2BH1210BK	1-1/4" X 1"	\$10.52
AP2BH1505BK	1-1/2" X 1/2"	\$10.74
AP2BH1507BK	1-1/2" X 3/4"	\$10.74
AP2BH1510BK	1-1/2" X 1"	\$10.74
AP2BH1512BK	1-1/2" X 1-1/4"	\$10.74
AP2BH2002BK	2" X 1/4"	\$16.90
AP2BH2005BK	2" X 1/2"	\$16.90
AP2BH2007BK	2" X 3/4"	\$16.90
AP2BH2010BK	2" X 1"	\$16.90
AP2BH2012BK	2" X 1-1/4"	\$16.90
AP2BH2015BK	2" X 1-1/2"	\$16.90
AP2BH2512BK	2-1/2" X 1-1/4"	\$48.18
AP2BH2515BK	2-1/2" X 1-1/2"	\$48.18
AP2BH2520BK	2-1/2" X 2"	\$48.18
AP2BH3012BK	3" X 1-1/4"	\$81.20
AP2BH3015BK	3" X 1-1/2"	\$81.20
AP2BH3020BK	3" X 2"	\$81.20
AP2BH3025BK	3" X 2-1/2"	\$81.20



XH Sch. 80 Reducer Couplings - 3000#

Item ID	FP X FP	List
AP2CR0302BK	3/8" X 1/4"	\$8.86
AP2CR0502BK	1/2" X 1/4"	\$8.86
AP2CR0503BK	1/2" X 3/8"	\$8.86
AP2CR0702BK	3/4" X 1/4"	\$11.74
AP2CR0703BK	3/4" X 3/8"	\$11.74
AP2CR0705BK	3/4" X 1/2"	\$11.74
AP2CR1002BK	1" X 1/4"	\$13.78
AP2CR1005BK	1" X 1/2"	\$13.78
AP2CR1007BK	1" X 3/4"	\$13.78
AP2CR1207BK	1-1/4" X 3/4"	\$23.90
AP2CR1210BK	1-1/4" X 1"	\$23.90
AP2CR2010BK	2" X 1"	\$35.92
AP2CR3020BK	3" X 2"	\$187.06



XH Sch. 80 Concentric Swage Nipples

Item ID	MP X MP	List
AP2SC0705BK	3/4" X 1/2"	\$28.32
AP2SC1005BK	1" X 1/2"	\$34.34
AP2SC1007BK	1" X 3/4"	\$38.64
AP2SC1207BK	1-1/4" X 3/4"	\$56.28
AP2SC1210BK	1-1/4" X 1"	\$56.28
AP2SC1510BK	1-1/2" X 1"	\$59.90
AP2SC1512BK	1-1/2" X 1-1/4"	\$59.90
AP2SC2010BK	2" X 1"	\$96.62
AP2SC2012BK	2" X 1-1/4"	\$96.62
AP2SC2015BK	2" X 1-1/2"	\$116.62



Pipe Tape

Item ID	Description	List
10MT02	2" X 100' ROLL - 10 MIL	\$16.42



Nipple Trays

Item ID	Size	List
NT05	1/2"	\$69.40
NT07	3/4"	\$69.40
NT10	1"	\$73.72



Does not include nipples.

Copper Tubing & Brass Fittings

Copper Tubing

Item ID	Size	List
CT3/8	3/8" - 50' COIL	\$93.86
CT1/2	1/2" - 50' COIL	\$145.20
CT5/8	5/8" - 50' COIL	\$162.84



Male Flare Union

Item ID	Size	List
426	3/8"	\$2.16
428	1/2"	\$3.00
4210	5/8"	\$4.58



Short Forged Flare Nuts

Item ID	Size	List
NS46	3/8"	\$1.46
NS48	1/2"	\$2.18
NS410	5/8"	\$3.46



Female Flare Union

Item ID	Size	List
US46	3/8"	\$4.48
US48	1/2"	\$5.90
US410	5/8"	\$7.20



Flare Nuts

Item ID	Size	List
41S6	3/8"	\$1.70
41S8	1/2"	\$2.32
41S10	5/8"	\$3.48



Flare Caps

Item ID	Size	List
566	3/8"	\$1.08
568	1/2"	\$1.64
5610	5/8"	\$2.44



Flare Plugs

Item ID	Size	List
576	3/8"	\$1.38
578	1/2"	\$2.04



Male Flare x MNPT

Item ID	MF X MNPT	List
4844	1/4" X 1/4"	\$1.42
4846	1/4" X 3/8"	\$2.56
4862	3/8" X 1/8"	\$2.26
4864	3/8" X 1/4"	\$1.82
4866	3/8" X 3/8"	\$2.18
4868	3/8" X 1/2"	\$3.02
48612	3/8" X 3/4"	\$5.56
4884	1/2" X 1/4"	\$2.82
4886	1/2" X 3/8"	\$2.78
4888	1/2" X 1/2"	\$3.24
48812	1/2" X 3/4"	\$5.30
48108	5/8" X 1/2"	\$4.58
481012	5/8" X 3/4"	\$5.90



Male Flare x FNPT

Item ID	MF X FNPT	List
4644	1/4" X 1/4"	\$1.98
4646	1/4" X 3/8"	\$2.98
4662	3/8" X 1/8"	\$2.86
4664	3/8" X 1/4"	\$2.14
4666	3/8" X 3/8"	\$2.92
4668	3/8" X 1/2"	\$3.40
46612	3/8" X 3/4"	\$4.90
4684	1/2" X 1/4"	\$3.78
4686	1/2" X 3/8"	\$2.98
4688	1/2" X 1/2"	\$3.18
46812	1/2" X 3/4"	\$5.30
46108	5/8" X 1/2"	\$5.30
461012	5/8" X 3/4"	\$5.88



Copper Tubing & Brass Fittings

Male Flare x MNPT Elbows

Item ID	MF X MNPT	List
4946	1/4" X 3/8"	\$4.18
4962	3/8" X 1/8"	\$3.58
4964	3/8" X 1/4"	\$3.58
4966	3/8" X 3/8"	\$3.58
4968	3/8" X 1/2"	\$4.44
49612	3/8" X 3/4"	\$9.52
4988	1/2" X 1/2"	\$5.28
49812	1/2" X 3/4"	\$9.98
491012	5/8" X 3/4"	\$10.62



Male Flare x FNPT Elbows

Item ID	MF X FNPT	List
5046	1/4" X 3/8"	\$3.08
5062	3/8" X 1/8"	\$2.76
5064	3/8" X 1/4"	\$3.32
5066	3/8" X 3/8"	\$4.86
5068	3/8" X 1/2"	\$4.88
50612	3/8" X 3/4"	\$8.80
5088	1/2" X 1/2"	\$5.86
50812	1/2" X 3/4"	\$7.90
501012	5/8" X 3/4"	\$9.72



Male Flare Tees

Item ID	Size	List
446	3/8"	\$4.40
448	1/2"	\$6.70
4410	5/8"	\$7.70



Male Flare x Male Flare Elbows

Item ID	Size	List
556	3/8"	\$4.40
558	1/2"	\$5.46
5510	5/8"	\$8.36



Gas Cocks

Item ID	Description	List
01266	3/8" M. FLARE X 3/8" M. FLARE	\$13.44
01387	3/8" M. FLARE X 1/2" FNPT	\$15.96
01288	1/2" M. FLARE X 1/2" M. FLARE	\$15.44
01487	1/2" M. FLARE X 1/2" FNPT	\$15.50
01537	1/2" M. FLARE X 3/4" FNPT	\$21.98
012806	3/8" FNPT X 3/8" FNPT	\$11.70
012808	1/2" FNPT X 1/2" FNPT	\$18.00
012812	3/4" FNPT X 3/4" FNPT	\$21.28



M. Flare x M. Flare



M. Flare x FNPT



FNPT X FNPT

Hex Nipples

Item ID	Size	List
3062	1/8"	\$1.32
3064	1/4"	\$1.90
3066	3/8"	\$2.98
3068	1/2"	\$5.36



Female Elbow

Item ID	Size	List
3092	1/8"	\$2.92
3094	1/4"	\$4.88
3096	3/8"	\$5.94
3098	1/2"	\$9.94



Square Head Plugs

Item ID	Size	List
1032	1/8"	\$1.08
1034	1/4"	\$1.46
1036	3/8"	\$1.88
1038	1/2"	\$2.56



Copper Tubing & Brass Fittings

Flexible Stainless Steel Gas Connectors

Item ID	Connections	ID	Flare	Length	List
100213112	3/8" MP X 1/2" MP	1/4"	3/8"	12"	\$13.64
100213118	3/8" MP X 1/2" MP	1/4"	3/8"	18"	\$15.88
100213124	3/8" MP X 1/2" MP	1/4"	3/8"	24"	\$18.04
100213136	3/8" MP X 1/2" MP	1/4"	3/8"	36"	\$22.62
200313112	1/2" MP X 1/2" MP	3/8"	1/2"	12"	\$16.10
200313118	1/2" MP X 1/2" MP	3/8"	1/2"	18"	\$18.60
200313124	1/2" MP X 1/2" MP	3/8"	1/2"	24"	\$21.24
200313136	1/2" MP X 1/2" MP	3/8"	1/2"	36"	\$25.82
200313148	1/2" MP X 1/2" MP	3/8"	1/2"	48"	\$30.08
300424218	3/4" FP X 3/4" FP	1/2"	5/8"	18"	\$21.08
300424224	3/4" FP X 3/4" FP	1/2"	5/8"	24"	\$23.66
300424236	3/4" FP X 3/4" FP	1/2"	5/8"	36"	\$26.84



Street Elbows 45°

Item ID	Size	List
3152	1/8"	\$3.46
3154	1/4"	\$3.70



Street Elbows 90°

Item ID	Size	List
3102	1/8"	\$2.44
3104	1/4"	\$3.36
3106	3/8"	\$4.98
3108	1/2"	\$7.88
31012	3/4"	\$13.26



Hex Bushings

Item ID	MP X FP	List
10042	1/4" X 1/8"	\$0.90
10062	3/8" X 1/8"	\$1.84
10064	3/8" X 1/4"	\$1.84
10082	1/2" X 1/8"	\$3.28
10084	1/2" X 1/4"	\$3.84
10086	1/2" X 3/8"	\$4.30
100124	3/4" X 1/4"	\$4.58
100126	3/4" X 3/8"	\$4.78
100128	3/4" X 1/2"	\$3.28
100168	1" X 1/2"	\$7.86
1001612	1" X 3/4"	\$8.44



Couplings

Item ID	Size	List
992	1/8"	\$1.88
994	1/4"	\$1.74
996	3/8"	\$3.50
998	1/2"	\$4.94
9912	3/4"	\$8.70



Female Tees

Item ID	Size	List
3112	1/8"	\$3.76
3114	1/4"	\$4.36
3116	3/8"	\$6.86
3118	1/2"	\$9.72
31112	3/4"	\$18.50



Crosses

Item ID	Size	List
3144	1/4"	\$9.36



Street Tees

Item ID	Size	List
3164	1/4"	\$7.46



Male Branch Tees

Item ID	Description	List
324-0202	1/8" FP X 1/8" FP X 1/8" MP	\$4.66
324-0404	1/4" FP X 1/4" FP X 1/4" MP	\$7.58
324-0606	3/8" FP X 3/8" FP X 3/8" MP	\$9.26
324-0808	1/2" FP X 1/2" FP X 1/2" MP	\$16.84



Mr. Heater Product Line

Buddy Portable Heaters

Item ID	BTU/H	List
MH9B	4,000 TO 9,000	\$187.62
MH18B	4,000 TO 18,000	\$279.48



The MH9B model connects to a 1# cylinder and has a heat coverage of up to 225 sq. feet. The MH18B connects to two 1# cylinders and has heat coverage of up to 450 sq. feet.



Tank-Top Heaters

These heaters are available with single, double, and triple burners. The burners are adjustable in heat and direction. For outdoor use only.

Item ID	Burners	BTU/H	List
MH15T	SINGLE BURNER	10,000 TO 15,000	\$85.40
MH30T	DOUBLE BURNER	10,000 TO 30,000	\$178.00
MH45T	TRIPLE BURNER	10,000 TO 45,000	\$238.40



Forced Air Heaters

Each heater comes with a regulator and power cord that requires 110V power.

Item ID	BTU/H	Heat Coverage	List
MH35CLP*	35,000 BTU	800 SQ. FT.	\$399.95
MH35FA	35,000 BTU	800 SQ. FT.	\$247.98
MH60FAV	30,000 TO 60,000 BTU	1,250 SQ. FT.	\$335.92
MH125FAV	75,000 TO 125,000 BTU	3,000 SQ. FT.	\$478.82
MH170FAVT	125,000 TO 170,000 BTU	4,000 SQ. FT.	\$682.34
MH400FAVT	250,000 TO 400,000 BTU	9,000 SQ. FT.	\$1,096.24



*Runs on built-in rechargeable battery.

Quick Couplers

These quick couplers allow for quick and convenient connections. Most parts are available with or without an excess flow feature.

Item ID	Description	List
F276186	1/4" MPT X 1/4" FPT W/ EXCESS FLOW	\$50.44
F276190	1/4" MPT X 1/4" FPT	\$54.44
F276187	3/8" MPT X 3/8" FPT	\$28.88
F276281	1/4" MPT X MALE PLUG (QUICK CONNECT)	\$18.98
F276328	1/4" MPT X MALE PLUG (QUICK CONNECT) W/ EXCESS FLOW	\$16.90
F276334	MALE POL X QUICK CONNECT	\$31.08
F276330	MALE POL X 1/4" MPT W/ EXCESS FLOW	\$44.40



Empire Comfort Product Line



HearthRite Vent-Free Blue Flame Heaters

Item ID	BTU/H	Thermostat?	List
HBW06ML	6,000	NO	\$244.80
HBW10ML	10,000	NO	\$229.40
HBW10TL	10,000	YES	\$304.82
HBW20ML	20,000	NO	\$388.00
HBW20TL	20,000	YES	\$444.00
HBW30ML	30,000	NO	\$438.40
HBW30TL	30,000	YES	\$540.26

Blue Flame Heater features:

- Mounts on Wall or Floor (requires optional Floor Stand)
- 99.9 Percent Efficient
- Matchless Piezo Igniter
- All Models Heat without Electricity
- Optional Blower (Manual or Automatic)
- NOT A PORTABLE UNIT
- Listed models are for Propane. Please specify if for Natural Gas when ordering.



HearthRite Vent-Free Infrared Heaters

Item ID	BTU/H	Thermostat?	List
HRW06ML	6,000	NO	\$262.40
HRW10ML	10,000	NO	\$288.00
HRW10TL	10,000	YES	\$368.40
HRW17ML	17,000	NO	\$362.20
HRW17TL	17,000	YES	\$442.20
HRW25ML*	25,000	NO	\$420.30
HRW25TL*	25,000	YES	\$540.26

Infrared Heater features:

- Mounts on Wall or Floor (requires optional Floor Stand)
- 99.9 Percent Efficient
- Matchless Piezo Igniter
- All Models Heat without Electricity
- Optional Blower (Manual or Automatic)
- NOT A PORTABLE UNIT
- Listed models are for Propane. Please specify if for Natural Gas when ordering



*Available in 30,000 BTU

Accessories for Blue Flame & Infrared Heaters

Item ID	Description	Fits Model	List
HAB01	BLOWER	15K TO 30K BTU	\$442.95
HAS03	STAND	15K TO 30K BTU, 2011 OR NEWER	\$712.98
HAS04	STAND	6K TO 10K BTU, 2011 OR NEWER	\$565.92



Blower



Floor Stand

UltraSaver90Plus Heaters

Item ID	BTU/H	Thermostat?	List
PVS18P	17,500	NO	\$2,940.44
PVS35P	35,000	NO	\$3,412.06

UltraSaver90 Plus features:

- The most efficient wall furnace available
- Vents with low-cost PVC or Poly pipe venting
- Works with most programmable thermostats
- Works in high altitude



Accessories for UltraSaver90Plus Heaters

Item ID	Description	List
PVSHT2*	HUMIDIFICIATION TRAY (2015 AND NEWER)	\$273.78
TDV	WALL THERMOSTAT	\$104.40
PVSA1	AIR PIPE KIT (FOR DIRECT VENT INSTALL)	\$60.92

*For pre-2015 models, use part # PVSHT1.

PFTE Tape

Item ID	Description	Mils	Density	Elongation	List
TT41	1/2" X 520" ROLL	3.9	0.9 TO 1.2	50%	\$13.70
TT33	3/4" X 576" ROLL	3.9	0.9 TO 1.2	50%	\$20.08
YT71	1/2" X 520" ROLL	3.8	1.05 TO 1.3	75%	\$16.90
YT75	1" X 520" ROLL	3.8	1.05 TO 1.3	75%	\$26.96



TT41 & TT33

YT71 & YT75

Pipe Thread Sealants

Item ID	Description	List
JC04	JC-30 HIGH FILL - 1/4 PINT	\$25.22
SS04	SOFT SET - 1/4 PINT	\$18.84
SS08	SOFT SET - 1/2 PINT	\$27.86
SS16	SOFT SET - 1 PINT	\$46.88
PB04	PLS2 - 1/4 PINT	\$30.62
PB16	PLS2 - 1 PINT	\$95.62



These cans are arranged in order from thickest body to lightest body.

- Provides a positive seal on pipe threads, joints, fittings, hoses, nozzles, LPG cylinders, pump assemblies, compressors, motors, plugs, fuel lines, couplings and more.
- Use on brass, copper, stainless steel, aluminum, black pipe, galvanized, polyethylene, and more.

Leak Detector

Item ID	Description	List
LT08	DAUBER - 1/2 PINT	\$10.60
LS16	SPRAY BOTTLE - 1 PINT	\$16.84
LT28	1 GALLON BOTTLE	\$26.64



- Temperature range from -10°F to 350°F
- The LS16 spray bottle comes with 1 pint of leak detector solution.

Cleaners

Item ID	Description	List
TW90	TUB O' TOWELS - 90 COUNT	\$33.84
TS28	POWER SCRUB - 1 GALLON PUMP	\$38.62



- This multipurpose cleaner removes stains others won't, including: grease, tar, ink, paint, permanent marker and other hard-to-remove soils.
- Gentle on hands, containing aloe vera and vitamin E.



- This hand cleaner carries a unique biodegradable formula and contains no petroleum distillates.
- Contains lanolin, aloe vera, & vitamin E and requires just a quick water rinse.

Lubricants & Penetrants

Item ID	Description	Size	List
LA12	"LUBE-IT ALL" - LUBRICANT	12 OZ	\$13.98
RE12	"FREE ALL" - PENETRANT	12 OZ	\$13.90



"Lube-It All"

- Can be used on electrical, metal and plastic surfaces, rotating parts and gears.
- Penetrates through fine gaps to deliver coating to assembled parts and obstructed surfaces.

"Free All"

- Will free up all threaded pipe connections, rusted machine screws, bolts, nuts, universal joints, etc.
- Penetrates rust, scale and corrosion to free parts and assemblies INSTANTLY!

Decals

FLAMMABLE

DS2 - 2" X 14"
DS24 - 5" X 24" (4" Letters)

Propane

DANGER
Extremely flammable gas. Contains gas under pressure; may explode if heated.

RESPONSE
Leaking gas fire: Do not extinguish, unless leak can be stopped. Eliminate all ignition if safe to do so.

PREVENTION
Keep away from heat, sparks, and open flames. No smoking.

STORAGE
Protect from sunlight. Store in well ventilated place.

DS11 - 2" X 4"

PROPANE

DS18 - 4" X 12" (2" Letters)
DS19 - 4" X 12" (3-1/2" Letters)
DS23 - 5" X 24" (4" Letters)
DS23-8 - 10" X 27" (8" Letters)

FOR LP GAS ONLY

DS43 - 1.5" X 6"

EMERGENCY SHUTDOWN

DS44 - 6" X 24" - Metal Sign

L.P. GAS

DS45 - 4" X 12"

LPG

DS50 - 2" X 2"

L.P. GAS MOTOR FUEL PRICES

MOTOR FUEL	\$ _____ PER GAL.
STATE FUEL TAX	\$ _____ PER GAL.
FED FUEL TAX	\$ _____ PER GAL.
TOTAL	\$ _____ PER GAL.
SALES TAX BASE RATE	_____ %

DS61 - 8" X 12" w/ Numbers
DS60 - 8" X 12" - Placard

L.P. GAS CYLINDER FUEL PRICES

MINIMUM SERVICE CHARGE \$ _____
TO _____ GALS. \$ _____ PER GAL.
TO _____ GALS. \$ _____ PER GAL.
TO _____ GALS. \$ _____ PER GAL.
PLUS APPLICABLE TAXES
SALES TAX BASE RATE _____ %

DS63 - 8" X 12" w/ Numbers
DS62 - 8" X 12" - Placard

NO SMOKING, OPEN FLAMES OR OTHER SOURCE OF IGNITION PERMITTED WITHIN 50 FEET 10/25

DS4 - 4" X 27"; DS4S - Spanish

LIQUID VAPOR

DS12L - 1" X 4" DS14V - 1" X 4"

NO SMOKING

DS3 - 2" X 14"
DS13-4 - 5" X 24" (4" Letters)
DS13-8 - (8" Letters)

LP GAS REFUELING INSTRUCTIONS FOR PERMANENTLY MOUNTED TANKS

- STOP ENGINE - PUT IN GEAR - SET HAND BRAKE
- NO SMOKING OR OPEN FLAMES
- CONNECT FILL HOSE TO TANK
- OPEN MAIN VALVE AT STORAGE TANK
- TURN PROPANE PUMP "ON"
- SLOWLY OPEN VALVE AT END OF FILL HOSE
- OPEN 80% LIQUID FILL VALVE ON TANK
- FILL UNTIL LIQUID APPEARS, THEN CLOSE 80% FILL VALVE
- CLOSE VALVE ON END OF FILL HOSE IMMEDIATELY
- SHUT PROPANE PUMP "OFF"
- DISCONNECT FILL HOSE FROM TANK
- CLOSE MAIN VALVE AT STORAGE TANK

DS27G - 9" X 12"
For Spanish, use DS27S

LIQUIFIED PETROLEUM GAS

DS47 - 3" X 24"

FLAMMABLE GAS

DS16 - 6" X 24" (4" Letters)
DS7 - 6" X 38" (5" Letters)
DS7-8 - 10" X 38" (8" Letters)

FLAMMABLE GAS PROPANE

DS17 - 5" X 13"

FIXED LIQUID LEVEL GAGE
VAPOR HOSE
VAPOR HOSE
RELIEF HOSE
LIQUID VALVE
LIQUID VALVE
LIQUID HOSE

DS30

WE STOP AT ALL R.R. CROSSINGS

DS35 - 4" X 36" - Reflective

ODORIZED

DS41 - 6" X 19"

EMERGENCY SHUT DOWN PULL TO CLOSE

DS44PLC - 4" X 6"

EMERGENCY SHUT OFF

DS48 - 4" X 9"

EMERGENCY SHUT DOWN

DS44SM - 4" X 6"

PROPANE EMERGENCY SHUTOFF
PUSH TO CLOSE BULKHEAD SHUTOFF.

DS46 - 10" X 12"

WARNING!

CHEMICALS KNOWN TO THE STATE OF CALIFORNIA TO CAUSE CANCER, BIRTH DEFECTS, OR OTHER REPRODUCTIVE HARM ARE CREATED BY THE COMBUSTION OF PROPANE

DS65 - 8" X 10" - Prop 65
DS65M - 5" X 7" - Prop 65

DS64

Item ID	List	Item ID	List	Item ID	List	Item ID	List	Item ID	List
DS2	\$0.82	DS13-4	\$2.68	DS23-8	\$5.82	DS43	\$0.46	DS50	\$0.48
DS3	\$1.18	DS13-8	\$9.78	DS24	\$6.46	DS44	\$16.60	DS60	\$7.94
DS4	\$1.58	DS14V	\$0.88	DS27	\$4.66	DS44PLC	\$1.92	DS61	\$5.20
DS4S	\$1.58	DS16	\$2.00	DS27S	\$4.66	DS44SM	\$1.10	DS62	\$8.22
DS7	\$3.94	DS17	\$2.94	DS27G	\$4.66	DS45	\$0.82	DS63	\$5.20
DS7-8	\$6.70	DS18	\$0.98	DS30	\$1.92	DS46	\$3.94	DS64	\$2.18
DS11	\$2.00	DS19	\$1.16	DS35	\$8.98	DS47	\$2.34	DS65	\$3.70
DS12L	\$0.88	DS23	\$3.44	DS41	\$1.88	DS48	\$1.48	DS65M	\$1.90

Decals

**PROPANE CONTAINER
LIQUID VALVE
EMERGENCY
SHUTOFF**

DS70SM - 4" X 6"
DS70-3 - 12" X 30"
DS70 - 8" X 15" - Placard



DS200 - 10" X 10"
DS200SM - 4" X 4"
DS200-8 - 8" X 8"
DS200-15 - 15" X 15"
DS200P - 10" X 10" - Placard
DS200PM - 8" X 8" - Placard



80SMP97 -
Placard Holder



DS1075 - 10-1/2"
DS1075M - Magnetic
DS40 - 10" X 10" - Placard
DS1075SM - 4" X 4"

HAZARDOUS MATERIAL SHIPPING PAPER
UN 1075 Liquefied Petroleum Gas 2.1 (Flammable Gas)
Product: (Non-Corrosive)
Volume: "One Truck Load"
EMERGENCY CONTACT (NAME/NUMBER)
ERI PROVIDER - (NAME/NUMBER)

POTENTIAL HAZARDS
FIRE OR EXPLOSION: ...
HEALTH: ...
CORROSION: ...
REACTIVITY: ...
ENVIRONMENTAL: ...

PUBLIC SAFETY
...
EMERGENCY RESPONSE
...
SPILL OR LEAK
...
FIRST AID
...
HAZARD IDENTIFICATION
...
HAZARD STATEMENT
...
PRECAUTIONARY STATEMENTS
...
ENVIRONMENTAL PRECAUTIONS
...
ADDITIONAL INFORMATION
...

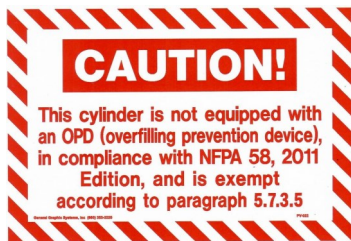
DS83 - Shipping Papers

PROPANE UN1075
NFPA HAZARD RATING: 4 (Health), 2 (Flammability), 0 (Reactivity)
DANGER: EXTREMELY FLAMMABLE LIQUEFIED GAS
HEAVIER THAN AIR
SIMPLE ASPHYXIAN
CONTACT WITH LIQUID WILL CAUSE FREEZING OF TISSUE
P.E.L. 1000 PPM
DO NOT EXPOSE THIS CYLINDER TO HEAT OR FIRE ABOVE 120 DEGREES F.
DO NOT USE CYLINDER IN HOT AIR BALLONS, AIRCRAFT, ETC.
DO NOT TAMPER OR ATTEMPT ANY REPAIRS ON CYLINDER OR VALVE - CONTACT YOUR DEALER
THIS CYLINDER IS DESIGNED FOR LP GAS ONLY. ANY OTHER USE IS UNAUTHORIZED AND POTENTIALLY DANGEROUS.
FAILURE TO FOLLOW ANY OF THESE INSTRUCTIONS COULD CAUSE PERSONAL INJURY AND/OR PROPERTY DAMAGE.
DO NOT REMOVE, DEFACE, OR OBLITERATE THIS LABEL.

DS215 - 4" X 6"



DSB - 4" X 3"



DSNOPD - 4" X 6"

**EMERGENCY
PROPANE
SWITCH**

DS109 - 4" X 5"

CAUTION!
OVERFILLING IS HAZARDOUS

DANGER!
FLAMMABLE GAS & LIQUID

THIS CYLINDER IS DESIGNED TO CONTAIN A LIQUEFIED PETROLEUM GAS UNDER PRESSURE THAT IS HIGHLY FLAMMABLE. FILLING, OPERATING & SERVICING OF THIS CYLINDER MUST BE CONDUCTED BY PERSONS PROPERLY TRAINED & QUALIFIED IN ACCORDANCE WITH LOCAL, STATE, FEDERAL OR PROVINCIAL JURISDICTIONAL REQUIREMENTS.

- PURGE THE CYLINDER OF AIR BEFORE FILLING FOR THE FIRST TIME
- DO NOT FILL CYLINDER IF SERVICED OR REQUALIFICATION PERIOD
- LIQUID PROPANE CAUSES SKIN BURNS ON CONTACT - AVOID CONTACT - WEAR APPROPRIATE CLOTHING, GOGGLES & GLOVES
- DO NOT OVERFILL THIS CYLINDER. OPEN KNURLED OUTSIDE VALVE AND BLEED IN WELLS VENTILATED AREA.
- IF GAS IS HEAVIER THAN AIR, FILL AND USE IN WELL VENTILATED AREA.
- KNOW THE ODOR OF PROPANE. LEAKS MAY CAUSE FIRES AND/OR EXPLOSIONS.
- TURN OFF SERVICE VALVE WHEN NOT IN USE
- MAKE SURE ALL FITTINGS ARE TIGHT AND LEAKPROOF
- IF YOU SEE OR SMELL GAS, OR HEAR THE HIS OF ESCAPING GAS, IMMEDIATELY GET AWAY FROM THE CYLINDER - CONTACT YOUR LOCAL FIRE DEPARTMENT
- ALWAYS USE CYLINDER IN PROPER OPERATING POSITIONS
- DO NOT EXPOSE THIS CYLINDER TO HEAT OR FIRE ABOVE 120 DEGREES F.
- DO NOT USE CYLINDER IN HOT AIR BALLONS, AIRCRAFT, ETC.
- DO NOT TAMPER OR ATTEMPT ANY REPAIRS ON CYLINDER OR VALVE - CONTACT YOUR DEALER
- THIS CYLINDER IS DESIGNED FOR LP GAS ONLY. ANY OTHER USE IS UNAUTHORIZED AND POTENTIALLY DANGEROUS.
- FAILURE TO FOLLOW ANY OF THESE INSTRUCTIONS COULD CAUSE PERSONAL INJURY AND/OR PROPERTY DAMAGE.
- DO NOT REMOVE, DEFACE, OR OBLITERATE THIS LABEL.

DS110 - 4" X 5" - Overfill Warning

PROPANE UN1075
NFPA HAZARD RATING: 4 (Health), 2 (Flammability), 0 (Reactivity)
DANGER: EXTREMELY FLAMMABLE LIQUEFIED GAS
HEAVIER THAN AIR
SIMPLE ASPHYXIAN
CONTACT WITH LIQUID WILL CAUSE FREEZING OF TISSUE
P.E.L. 1000 PPM
DO NOT EXPOSE THIS CYLINDER TO HEAT OR FIRE ABOVE 120 DEGREES F.
DO NOT USE CYLINDER IN HOT AIR BALLONS, AIRCRAFT, ETC.
DO NOT TAMPER OR ATTEMPT ANY REPAIRS ON CYLINDER OR VALVE - CONTACT YOUR DEALER
THIS CYLINDER IS DESIGNED FOR LP GAS ONLY. ANY OTHER USE IS UNAUTHORIZED AND POTENTIALLY DANGEROUS.
FAILURE TO FOLLOW ANY OF THESE INSTRUCTIONS COULD CAUSE PERSONAL INJURY AND/OR PROPERTY DAMAGE.
DO NOT REMOVE, DEFACE, OR OBLITERATE THIS LABEL.

DS216 - 2-1/2" X 5" - 2-4-0

LIQUEFIED PETROLEUM GAS UN1075
DANGER: EXTREMELY FLAMMABLE LIQUEFIED GAS
HEAVIER THAN AIR
SIMPLE ASPHYXIAN
CONTACT WITH LIQUID WILL CAUSE FREEZING OF TISSUE
P.E.L. 1000 PPM
DO NOT EXPOSE THIS CYLINDER TO HEAT OR FIRE ABOVE 120 DEGREES F.
DO NOT USE CYLINDER IN HOT AIR BALLONS, AIRCRAFT, ETC.
DO NOT TAMPER OR ATTEMPT ANY REPAIRS ON CYLINDER OR VALVE - CONTACT YOUR DEALER
THIS CYLINDER IS DESIGNED FOR LP GAS ONLY. ANY OTHER USE IS UNAUTHORIZED AND POTENTIALLY DANGEROUS.
FAILURE TO FOLLOW ANY OF THESE INSTRUCTIONS COULD CAUSE PERSONAL INJURY AND/OR PROPERTY DAMAGE.
DO NOT REMOVE, DEFACE, OR OBLITERATE THIS LABEL.

DOT
DANGER
NO SMOKING

DSNSP - 10" X 10" - Placard

DS710P - 10" X 7" - Placard

PROPANE
NFPA HAZARD RATING: 4 (Health), 2 (Flammability), 0 (Reactivity)
DANGER: EXTREMELY FLAMMABLE LIQUEFIED GAS
HEAVIER THAN AIR
SIMPLE ASPHYXIAN
CONTACT WITH LIQUID WILL CAUSE FREEZING OF TISSUE
P.E.L. 1000 PPM
DO NOT EXPOSE THIS CYLINDER TO HEAT OR FIRE ABOVE 120 DEGREES F.
DO NOT USE CYLINDER IN HOT AIR BALLONS, AIRCRAFT, ETC.
DO NOT TAMPER OR ATTEMPT ANY REPAIRS ON CYLINDER OR VALVE - CONTACT YOUR DEALER
THIS CYLINDER IS DESIGNED FOR LP GAS ONLY. ANY OTHER USE IS UNAUTHORIZED AND POTENTIALLY DANGEROUS.
FAILURE TO FOLLOW ANY OF THESE INSTRUCTIONS COULD CAUSE PERSONAL INJURY AND/OR PROPERTY DAMAGE.
DO NOT REMOVE, DEFACE, OR OBLITERATE THIS LABEL.

LIQUEFIED PETROLEUM GAS UN 1075
DANGER: EXTREMELY FLAMMABLE LIQUEFIED GAS
HEAVIER THAN AIR
SIMPLE ASPHYXIAN
CONTACT WITH LIQUID WILL CAUSE FREEZING OF TISSUE
P.E.L. 1000 PPM
DO NOT EXPOSE THIS CYLINDER TO HEAT OR FIRE ABOVE 120 DEGREES F.
DO NOT USE CYLINDER IN HOT AIR BALLONS, AIRCRAFT, ETC.
DO NOT TAMPER OR ATTEMPT ANY REPAIRS ON CYLINDER OR VALVE - CONTACT YOUR DEALER
THIS CYLINDER IS DESIGNED FOR LP GAS ONLY. ANY OTHER USE IS UNAUTHORIZED AND POTENTIALLY DANGEROUS.
FAILURE TO FOLLOW ANY OF THESE INSTRUCTIONS COULD CAUSE PERSONAL INJURY AND/OR PROPERTY DAMAGE.
DO NOT REMOVE, DEFACE, OR OBLITERATE THIS LABEL.

DS217 - 9" X 7-1/2"



CG126FO - 1075&1005

DOT CYLINDER REQUALIFICATION RECORD

INSPECTION DATE VISUAL INSPECTION

RIN Your Rin Here [] / [] [] **E**

RQ2 - 1" X 4" - RIN # Required



M97AD - 48" X 24" Aluminum, Double Sided

Item ID	List	Item ID	List	Item ID	List	Item ID	List	Item ID	List
CG126FO	\$59.40	DS109	\$1.66	DS200P	\$11.50	DS1075M	\$9.96	DOT	\$0.16
DS40	\$6.84	DS110	\$3.32	DS200PM	\$5.92	DS1075SM	\$2.18	M97AD	\$117.28
DS70	\$7.80	DS200	\$3.92	DS215	\$1.60	DS710P	\$9.66	RQ2	\$2.88
DS70-3	\$7.52	DS200SM	\$2.22	DS216	\$0.80	DSB	\$2.06	80SMP97	\$39.80
DS70SM	\$1.90	DS200-8	\$2.92	DS217	\$3.28	DSNOPD	\$1.88		
DS83	\$4.50	DS200-15	\$13.58	DS1075	\$3.34	DSNSP	\$6.52		

All Propane can add your logo to any of the decals you see. We can also produce custom decals for you. Minimum orders apply. Measurements given above are height x width.



Safety Equipment

Gloves



Item ID	Description	Insulated?	List
52547L	HYD-TUF GLOVES - LARGE	NO	\$15.48
52547XL	HYD-TUF GLOVES - EXTRA LARGE	NO	\$15.48
23173	MONKEY GRIP GLOVES - RAISED FINISH	YES	\$20.84
23191	MONKEY GRIP GLOVES - SMOOTH FINISH	YES	\$19.86
41-1415-L	HI-VIS SEAMLESS KNIT NYLON GLOVES	YES	\$18.42
41-1415-XL	HI-VIS SEAMLESS KNIT NYLON GLOVES	YES	\$18.42



52547L



23173



41-1415

Combustible Gas Detector

This battery-powered unit can detect leaks and the presence of propane and ammonia among other gases.

Item ID	List
STKX0100-SN	\$473.00



Safety Glasses

These protective glasses are lightweight with high wrap around coverage and feature a polycarbonate, scratch resistant constructions.

Item ID	Description	List
11326-00000-20	CLEAR	\$7.50
RAD64051206	TINTED	\$6.50



Manometers

These low pressure test kits will measure 0-20" W.C.

Item ID	Description	List	Case
1212	SLACK TUBE MANOMETER - ROLL UP	\$213.52	A-401
1223	SLACK TUBE MANOMETER - RIGID	\$196.32	
2020	MAGNEHELIC GAUGE	\$162.00	A-432
EM152	ELECTRONIC MANOMETER	\$256.50	AC519



1212



2020



EM152

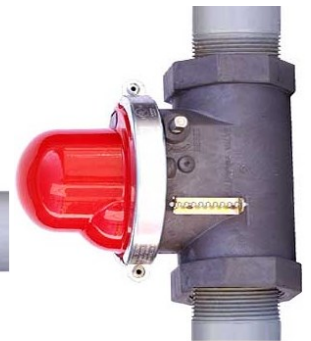
Seismic Valves

Pacific Seismic/California Valves are earthquake sensitive gas shut-off valves. They are intended to close in the event of an earthquake to prevent gas flow into a structure where earthquake damage may have occurred. These valves are available in horizontal & vertical.

Item ID	Connection	Position	PSI	List
300	3/4" FNPT	HORIZONTAL	7 PSI	\$215.68
301	1" FNPT	HORIZONTAL	7 PSI	\$268.50
311	1" FNPT	HORIZONTAL	60 PSI	\$325.68
302	1-1/4" FNPT	HORIZONTAL	7 PSI	\$325.68
VB302	1-1/4" FNPT	VERTICAL	7 PSI	\$325.68
314	2" FNPT	HORIZONTAL	60 PSI	\$1,059.90
315F	3" 125# FLANGE	HORIZONTAL	60 PSI	\$2,968.50



Horizontal Position



Vertical Position

*2" to 8" valves are available with flange connections.

When ordering a vertical seismic valve, please specify if it is bottom inlet/top outlet or vice versa.

Safety Equipment

Remote Safety Shutoff Systems for Bobtails

Propane Technologies, LLC
Solutions for Safety and the Environment

- A quick push of the transmitter one-dot button closes the truck's bottom outlet internal valve and shuts down the truck engine.
- New and improved, the transmitter operates up to 600 feet away from the bobtail.
- The lock-out feature prevents the accidental reopening of the bottom outlet internal valve after the system has closed it.
- The transmission signal can be generic or custom coded on request.
- The two-dot button can be programmed to operate the truck throttle control, the truck hose reel motor control, or the add-on query device for bobtails over 3500 gallons water capacity in metered propane delivery service.



Item ID	Description	List
3300-FGLV	COMPLETE REMOTE SHUTDOWN SYSTEM W/ AIR SOLENOID VALVE	\$694.66
KO2-004	AIR SOLENOID VALVE	\$145.84
VAP327G	GENERIC REMOTE	\$47.94

BASE Remote Safety Shutoff Systems for Bobtails

BASE ENGINEERING INC.

These remote shutdown systems by Base Engineering come in a variety of configurations that allow you to perform various functions with one remote. The complete system below is just one possible configuration. Please provide us with the exact model number when ordering a complete system. Call us for remotes, cases & other replacement parts.

Item ID	Description	List
ASKWD4002AQ	COMPLETE SYSTEM W/ REMOTE, RECEIVER, & WIRING HARNESS	\$3,335.50
ASK300TX PTE	REMOTE - 3-FUNCTION - PTO, THROTTLE, EMERGENCY STOP	\$750.00
ASK400TX RPTE	REMOTE - 4-FUNCTION - REEL, PTO, THROTTLE, EMERGENCY STOP	\$750.00
CAS1000	CARRYING CASE FOR ASK MODEL REMOTES	\$84.00



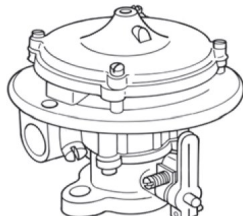
ASK400



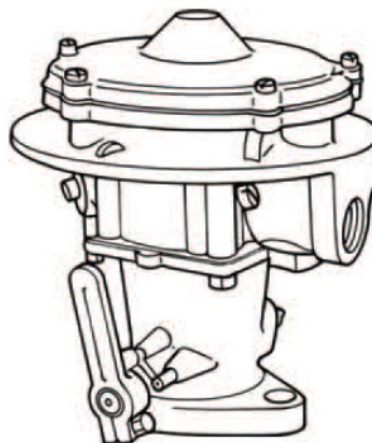
Carburetors & Mixers



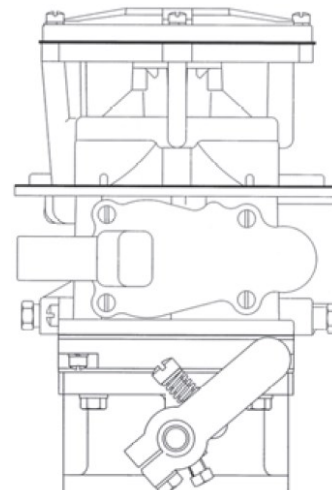
MODEL CA100 CARBURETOR



MODEL CA125 CARBURETOR



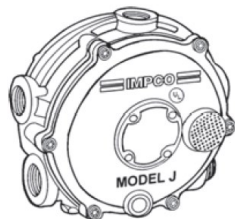
MODEL 225 CARBURETOR



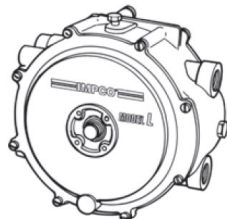
MODEL 425 CARBURETOR

Carburetor	Mixer	Throttle Body	Air Valve
CA100-6	CA100M-2	AT2-2	AV1-14
CA125-6	CA125M	AT2-16-1	AV1-14
CA225-94	—	AT2-6	AV1-12
CA425-2	CT425M	BT2-7-4	AV1-16

Regulators



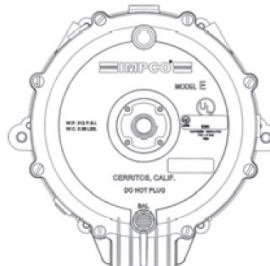
MODEL J REGULATOR



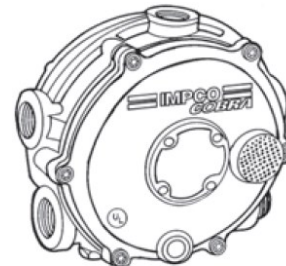
MODEL L REGULATOR

Regulator	List
JB2	\$134.78
LB2	\$362.36
EB2	\$362.76
COBRA	\$151.96

Repair Kit	List
RKJ2	\$30.40
RKL2	\$106.40
RKE2	\$91.82
RKCOBRA	\$59.30



MODEL E REGULATORS

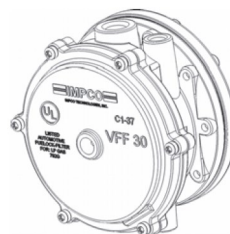


COBRA REGULATOR

Vacuum Fuel Lock/Filter

Filter	List
VFF302	\$73.54

Repair Kit	List
RKVFF302	\$28.20



MODEL VFF30 VACUUM FUEL LOCK/FILTER

Carburetion Fittings

Item ID	Description	Fits Hose	List
6FS	5/16" HOSE X 3/8" F. FLARE	7243-311	\$7.86
6FS-45	5/16" HOSE X 3/8" F. FLARE - 45°	7243-311	\$17.34
6FS-90	5/16" HOSE X 3/8" F. FLARE - 90°	7243-311	\$17.22
6-4MP	5/16" HOSE X 1/4" MNPT	7243-311	\$6.86
2082088	13/32" HOSE X 1/2" F. FLARE	SS8UL	\$11.32



6FS



6FS-90

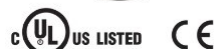
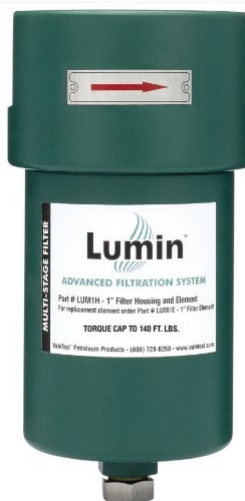
For carburetion hose, please refer to page 63.

Lumin Filters Product Line

Filters

Lumin offers an affordable multi-stage filter/coalescer/trap that exceeds the requirements of excellence in filtration needed to protect today's fuel injectors and precision components. It is vital to the safe efficient vehicle operation of alternative fuel systems.

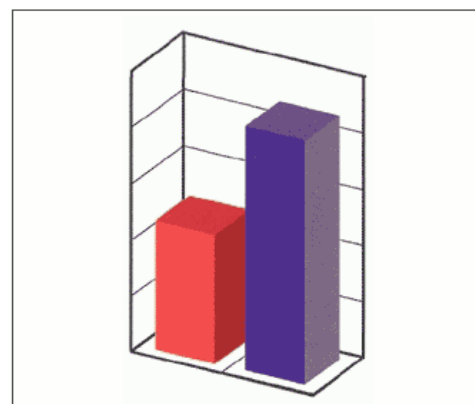
Item ID	Description	List
LUM38H	3/8" NPT MANIFOLD	\$463.00
LUM1H	1" NPT MANIFOLD	\$2,558.00
LUM2H	2" NPT MANIFOLD	\$3,534.00



Replaceable Filter Cartridges

These cartridges can replace old cartridges that have developed build up from catching contaminants.

Item ID	For	List
LUM38E	LUM38H (3/8")	\$234.00
LUM1E	LUM1H (1")	\$770.00
LUM2E	LUM2H (2")	\$828.00



■ Heavy oils removal and retention efficiency	99.5%
■ Oil removal (depending on grade of element specified)	95.0%



Algas Vaporizers

DF Series™ Specifications

Vaporization Type:	Direct Fired / Flow Through							
Electrical Data:	None Required							
Model Number:	40/40	80/40	120/60	160H	320H	480H	640H	800H
¹ Design Pressure	290 PSIG / 20.0 Barg							
Relief Valve Set Point	250 PSIG / 17.2 Barg							
Hydrostatic Pressure	435 PSIG / 29.9 Barg							
Vaporizer Approvals:								
ASME, UL (US and Canada)	●	●	●	●	●	●	●	●
CE, PED (DNV)	●	●	●					
Liquid Inlet (FNPT)	¾"	¾"	¾"	¾"	2"	2"	2"	2"
Liquid Outlet (FNPT)	1"	1"	1"	1"	2"	2"	2"	2"
Vaporization Capacity:								
Kg/h	80	160	240	320	640	960	1280	1535
[Nominal] ² US Gal/h	40	80	120	160	320	480	640	800
MMBTU/h	3.6	7.2	10.9	14.6	29.1	43.7	58.2	72.8
Burner Input:								
(,000) Kcal/h	13.0	25.9	38.8	45.4	90.8	136.2	181.6	227.6
(,000) BTU/h	51.3	102.7	154.1	180.0	360.0	540.0	720.0	900.0
Burner Ignition:	9vdc Re-ignitor standard on all units							
Shipping Weight:	155 lbs 71 kg	220 lbs 100 kg	275 lbs 125 kg	405 lbs 184 kg	810 lbs 368 kg	1215 lbs 552 kg	1620 lbs 736 kg	2025 lbs 920 kg
Shipping Dimensions:								
Length	21" 534 mm	21" 534 mm	21" 534 mm	36" 915 mm	43" 1092 mm	43" 1092 mm	86" 2184 mm	43" 1092 mm
Width	22" 559 mm	35" 889 mm	35" 889 mm	36" 915 mm	48" 1219 mm	68" 1727 mm	39" 991 mm	108" 2743 mm
Height	42" 1067 mm	42" 1067 mm	52" 1321 mm	68" 1727 mm	72" 1829 mm	72" 1827 mm	72" 1829 mm	76" 1931 mm



Optional Accessories:

- Economy Operation Kit
- Filtaire for Heavy Ends
- Relief Valve "Pipe Away" Adapter
- Auto Ignition Kit-110VAC
- Indoor Installation Kit (for roof penetration)

¹ Max Allowable Working Pressure (MAWP)

² Volumetric flow rates are stated as 'nominal'

Zimmer™ Specifications

Dry-Electric LPG Vaporizer

Vaporizer Type/Model*	Indirect Dry-Electric Feed Out					
	Model	Z25	Z40	Z50	Z100	Z150
Hazardous Area Classification	Class I, Division 1, Group D, T3; Ex d IIA T3 Gb					
Approvals	UL/ULc, CE (ATEX & IECEx), PED (SEP)					
Vaporization Capacity**	Kg/hr	25	40	50	100	150
	US Gal/hr	12.5	20	25	50	75
	MMBTU/hr	1.1	1.8	2.2	4.5	6.8
Liquid Inlet Connection	1/2" FNPT					
Vapor Outlet Connection	1/2" FNPT					
Design Pressure (MAWP)	250 psig - 17.2 barg					
Relief Valve Set Point	250 psig - 17.2 barg					
Hydrostatic Test Pressure	375 psig - 25.9 barg					
Unit Dimensions	26.7" L x 9.5" H x 8.3" W			67.2" L x 9.5" H x 8.3" W		
	677 mm L x 241 mm H x 210 mm W			1706 mm L x 241 mm H x 210 mm W		
Shipping Dimensions	34" L x 11" H x 14" W			75" L x 11" H x 14" W		
	863 mm L x 280 mm H x 356 mm W			1905 mm L x 280 mm H x 356 mm W		
Shipping Weight	55 lb / 25 Kg			145 lb / 66 Kg		
Optional Accessories	Tank Mount Kit; Tank Mount Piping Kit; Wall Mount Kit; Strainer and Piping Kit for Wall Mount; Regulator/Gauge for Wall Mount; Drain Valve Kit			Floor Mount Kit; Wall Mount Kit; Strainer and Piping Kit; Regulator/Gauge Kit; Drain Valve Kit		

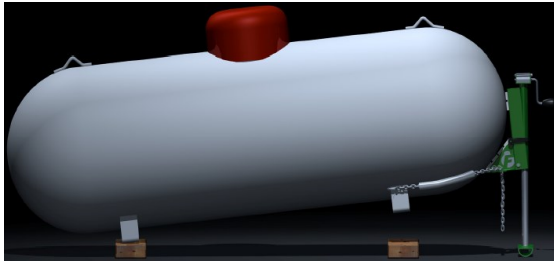
Miscellaneous Parts & Equipment

Tank Handling

Item ID	Description	List
X SADDLE	SET OF 2 - ALUMINUM	\$658.00
TJ	TANK JACK - 3,500 LBS LIFT CAPACITY	\$1,156.00
STCHOCKER	CHOCKER STRAPS FOR UP TO 1,000 GALLON TANKS	\$598.00
STLUG8	LUG STRAPS FOR UP TO 1,000 GALLON TANKS	\$558.00



X-SADDLE



Tank Jack



Chocker Straps



Lug Straps

Forklift Tank Brackets

Item ID	Description	Size	List
TB2	UNIVERSAL HORIZONTAL MOUNTING BRACKET	33.5# & 43.5#	\$132.00
TB3	UNIVERSAL VERTICAL MOUNTING BRACKET	20#	\$184.92



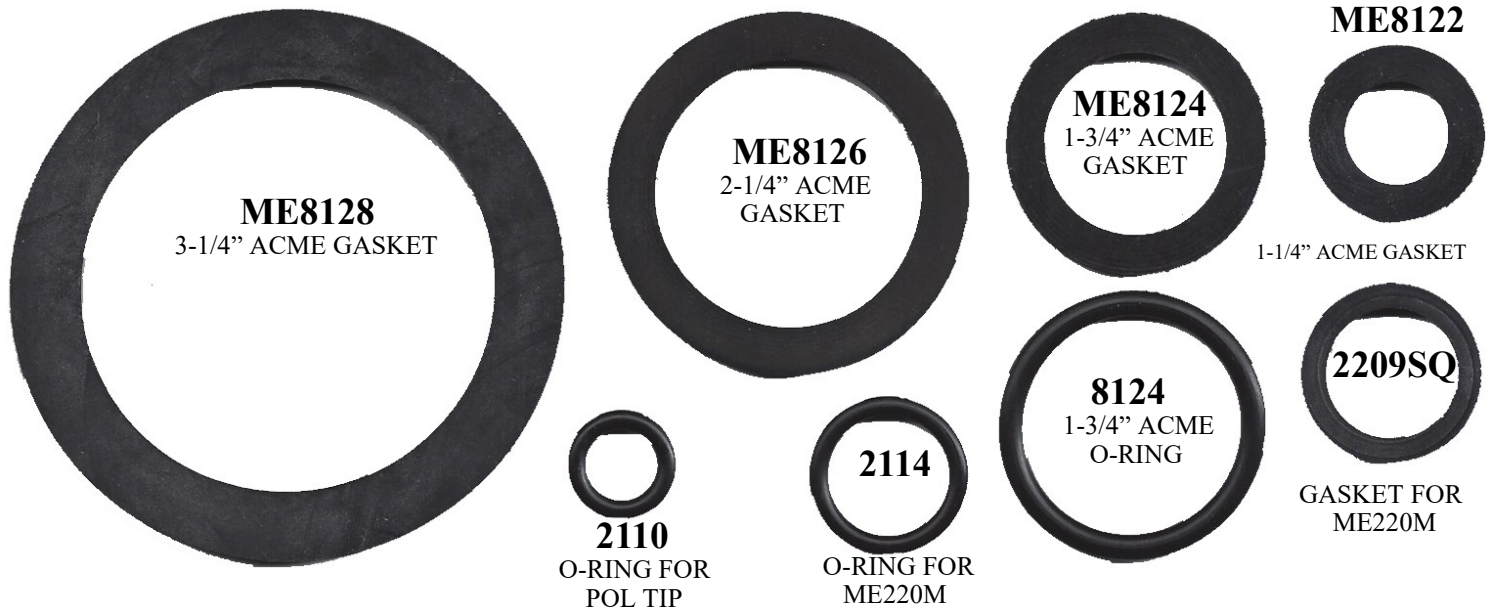
Gasket & O-Ring Kit

Item ID	Description	List
MEW1	INCLUDES BELOW GASKETS & O-RINGS EXCEPT FOR ITEM # 8124	\$99.52



Gaskets & O-Rings

Gaskets and o-rings shown below are **actual size**.



Miscellaneous Parts & Equipment

Cages

Item ID	Cylinder	Capacity	Dimensions	Material	List
CAGE20-12M	20#	12 HOLD	44W X 30D X 53H	STEEL	\$1,115.00
CAGE20-12MA	20#	18 HOLD	44W X 30D X 53H	ALUMINUM	\$1,115.00
CAGE20-18L	20#	18 HOLD	44W X 30D X 68H	STEEL	\$1,360.00
CAGE20-18LA	20#	18 HOLD	44W X 30D X 68H	ALUMINUM	\$1,360.00
CAGE33-9M	33#	9 HOLD	44W X 30D X 53H	STEEL	\$1,180.00
CAGE33-9MA	33#	9 HOLD	44W X 30D X 53H	ALUMINUM	\$1,180.00
CAGE33-12L	33#	12 HOLD	44W X 30D X 68H	STEEL	\$1,350.00
CAGE33-12LA	33#	12 HOLD	44W X 30D X 68H	ALUMINUM	\$1,350.00



Cylinder Vise

This cylinder vise features an reversible anchor plate, allowing for floor mounting or wall mounting.

Dimensions (with platform attached):
13W X 14D X 36H



Item ID	Description	List
CV	FOR 20# TO 100# CYLINDERS	\$1,500.00

POL & Filler Valve Locks

These locks come with their own unique key code and you can assign this key code to all of your future orders.

Item ID	Description	List
PLOCK	POL LOCK	\$59.50
PKEY	KEY FOR POL LOCK	\$5.74
FVLOCK	FILLER VALVE LOCK	\$108.70
FVKEY	KEY FOR FILLER VALVE LOCK	\$5.74



POL Lock



Filler Valve Lock

Krug Product Line

The GH-P hand pump can be used to fill engine fuel cylinders and cylinders up to 100# without a motor. The H30-GH compressor comes with a 4HP Gasoline Powered (also available in Propane) Engine and can be used to transfer, evacuate, or purge tanks.

Item ID	Description	List
GH-P	MODEL G HAND PUMP - 1" FNPT X 3/4" FNPT - 6GPM @ 40 STROKES PER MINUTE	\$1,100.00
H50GH	COMPRESSOR W/ 4HP HONDA ENGINE - 1/2" FNPT X 1/2" FNPT - 18 TO 50 GPM	\$2,493.42
25459B	COMPRESSOR ONLY - 1/2" FNPT X 1/2" FNPT	\$836.00



GH-P



Miscellaneous Parts & Equipment

Ventur-Evac

The Ventur-Evac allows you to pump out a tank using your bobtail. Weighing only 6 pounds, this light weight unit is easy to use and only requires one user. For instructional videos, please visit www.jetmarkllc.com/videos.

Item ID	Description	List
VENTRU-EVAC	1-3/4" F. ACME X 1-3/4" M. ACME (2)	\$1,550.00



Tank Rollers



These Tank Rollers can be used at the yard or in the field. They are light weight for ease of maneuvering, but are also strong enough to hold tanks up to 1,000 gallons. The wheels rotate smoothly allowing the tank to rotate effortlessly. A great bargain for sure!

Item ID	Capacity	List
TANKROL	FOR UP TO 1,000 GALLON TANKS	\$1,150.00



Portable Beam Scales

This portable beam scale can be used for dispenser and dock applications.

Item ID	Capacity	Platform	Overall Dimensions	Ship Weight	List
854F100P	1000 LBS.	19" W X 28" D	45" H X 24" W X 35" D	132 LBS.	\$1,315.00



Flexible Lighters



We are now able to ship these Gas Match lighters. They do not come with lighter fluid, which may be purchased separately at your local hardware store.

Item ID	Description	List
GM3XNF	FLEXIBLE LIGHTER - 15" NOZZLE - NO LIGHTER FLUID	\$75.00



Fire Extinguishers

Item ID	Description	List	Bracket	List
423	20# FIRE EXTINGUISHER	\$511.92	5T908	\$154.38



New Product Spotlight

MEGR-1632-JFF-VG
900,000 Btu/Hr.

New from MEC, this full size integral two-stage regulator allows features a factory installed vent guard that allows for vertical installs while protecting both the first and second stage vents.



Pg. 2

MEGR-1222H-BGJ
1,700,000 Btu/Hr.



Pg. 2

MEGR-1222-DFD
800,000 Btu/Hr.



Pg. 2

MEGR-1252-DFD
700,000 Btu/Hr.



Pg. 2

Now available, compact first and second stage regulators from MEC. These regulators provide big performance for a smaller price.



MEGR-1HSRL-CFC
2,500,000 BTU

Pg. 3

Second Stage Commercial Regulators from MEC come in a variety of sizes. The MEGR-1HSRL series provides a larger BTU capacity than a standard residential second stage regulator, but maintains an affordable price when compared to other commercial regulator options.



ME983-16

Pg. 10

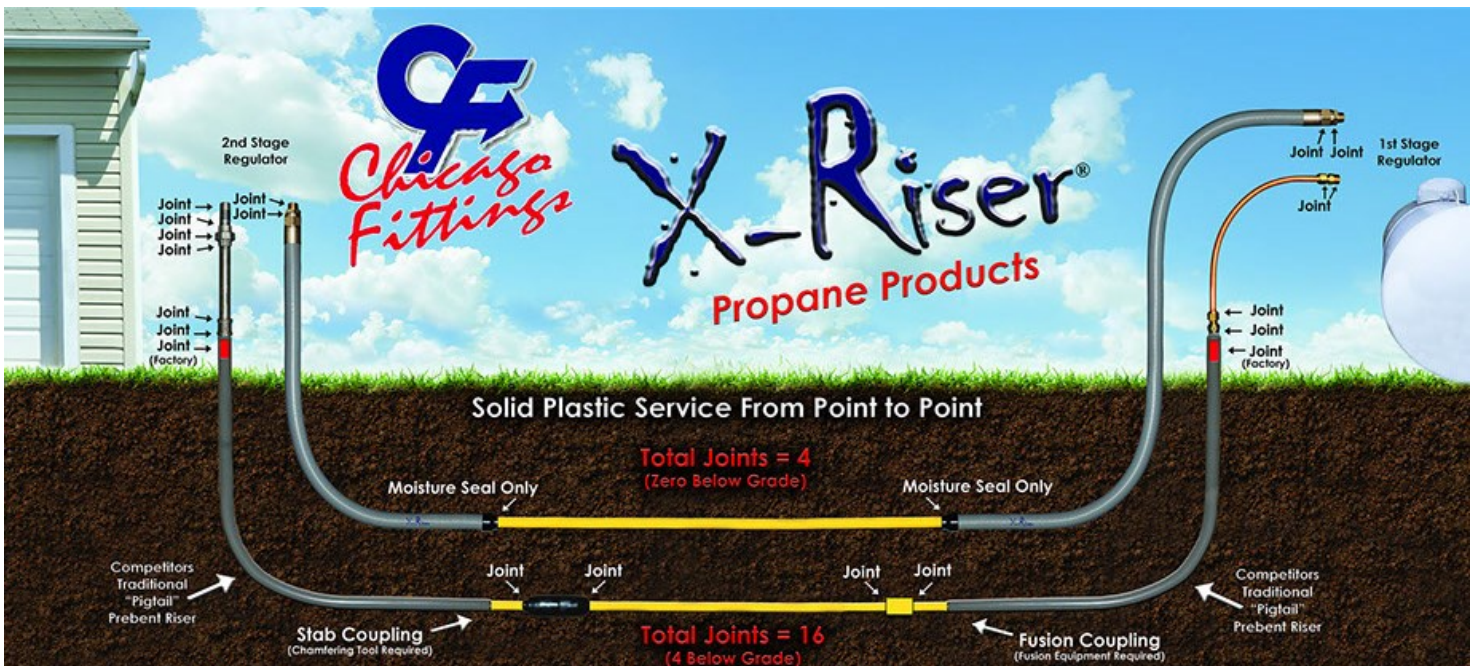
Railcar ESV's are now available through MEC. These valves have a 2" FNPT inlet/outlet and are available with or without an Excess flow.

New 2.0 Design!



Pg. 71 & 72

Perfection by Honeywell has made a design change to their mechanical fittings and chamfering tools. The mechanical fittings now bite onto the ID and OD of the connecting poly-tubing. The new design is called 2.0 fittings. As a result, the OD & ID of the poly-tubing must be chamfered by a 2.0 chamfering tool that has two blades. The new style chamfering tool is easily identifiable by its yellow color. The new 2.0 chamfering tool (see left) can be used with old style mechanical fittings.



All Propane now carries X-Risers by Chicago Fittings. These risers are easier to use and provide a cost savings compared to traditional rigid risers. There are also less joints, providing less chances for leak points. Please turn to **page 73** for more information.

New Product Spotlight



Autogas Dispensers by Parafour

These autogas cabinets by Parafour come in single-hose, dual-hose, and dual-meter options. The cabinets are UL-listed and Parafour also offers fuel management systems. The pump and motor must be purchased separately. See **page 62** for more details.



P4 Eco-Air Internal Valve System

The Eco-Air Internal Valve System comes with an air compressor and eliminates the need for nitrogen tanks to supply air pressure to internal valves. The Eco-Air is a self-contained unit designed for the rigors of internal valve actuation. See **page 62** for more details.



Pg. 62

In addition to Gas Guard Acme nozzles, we now carry Euro style (push-on) nozzles. We also sell adapters that allow you to fill a Euro-style filler valve with an Acme nozzle and vice-versa.



Pg. 95

Gas Match lighters are now available without lighter fluid and can now be shipped by UPS.



These Tank Rollers can be used at the yard or in the field. They are light weight for ease of maneuvering, but are also strong enough to hold tanks up to 1,000 gallons. The wheels rotate smoothly allowing the tank to rotate effortlessly. **Page 95.**

References

Properties of Propane / Butane

Approximate Properties of LP-Gases (Inches)		
FORMULA	PROPANE	BUTANE
	C ₃ H ₈	C ₄ H ₁₀
Initial Boiling Point, °F	-44	32
Specific Gravity of Liquid (Water = 1.0) at 60°F	0.504	0.582
Specific Gravity of Vapor (Air = 1.0) at 60°F	0.504	0.582
Weight per Gallon of Liquid at 60°F, LB	4.2	4.81
Specific Heat of Liquid, BTU/LB at 60°F	0.630	0.549
Cubic Feet of Vapor per Gallon at 60°F	36.38	31.26
Cubic Feet of Vapor per Pound at 60°F	8.66	6.51
Ignition Temperature in Air, °F	920 to 1,120	900 to 1,000
Maximum Flame Temperature in Air, °F	3,595	3,615
Cubic Feet of Air Required to Burn One Cubic Foot of Gas	23.86	31.02
Limits of Flammability in Air, % of Vapor in Air-Gas Mix:		
(a) Lower	2.15	1.55
(b) Upper	9.60	8.60
Latent Heat of Vaporization at Boiling Point:		
(a) BTU per Pound	184	167
(b) BTU per Gallon	773	808
Total Heating Values After Vaporization:		
(a) BTU per Cubic Foot	2,488	3,280
(b) BTU per Pound	21,548	21,221
(c) BTU per Gallon	91,502	102,032

Methanol Requirements

Both water and air seriously interfere with proper operation of the system and the connected appliances. If not removed, they will result in costly service calls and needless expense far exceeding the nominal cost of proper purging.

Even if a careful inspection of the tank reveals no visible moisture, the container must still be neutralized. Condensation may have formed on the interior walls and the air inside the container may have relative humidity up to 100%.

For neutralizing moisture in an ASME container, the introduction of at least one pint of genuine absolute anhydrous methanol * (99.85% pure) per 100 gal. of water capacity is required. The following table shows the minimum volumes for typical containers.

100 lb. ICC Cylinder	1/8 pt. (2 fl. oz.)
420 lb. ICC Cylinder	1/2 pt. (8 fl. oz.)
500 gal. Tank	5 pts. (2 1/2 qts.)
1000 gal. Tank	10 pts. (1 1/4 gal.)

Vaporization Rates for ASME Tanks

The table below assumes the ASME tank is:

- One-Half Full.
- Relative humidity is 70%.
- The tank is under intermittent loading.

Even though none of these conditions may apply, Table 5 can still serve as a reference in estimating what a certain tank size will provide under different temperatures. Under continuous loading the withdrawal rates shown should be multiplied by 0.25, though continuous loading is not a very common occurrence on domestic installations.

Maximum Intermittent Withdrawal Rate (BTU/hr.) Without Tank Frosting* IF Lowest Outdoor Temperature (Average For 24 Hours) Reaches...					
TEMPERATURE		TANK SIZE, GALLONS / LITERS			
		150 / 568	250 / 946	500 / 1,893	1,000 / 3,785
40°F	4°C	214,900	288,100	478,800	852,800
30°F	-1°C	187,000	251,800	418,600	745,600
20°F	-7°C	161,800	216,800	360,400	641,900
10°F	-12°C	148,000	198,400	329,700	587,200
0°F	-18°C	134,700	180,600	300,100	534,500
-10°F	-23°C	132,400	177,400	294,800	525,400
-20°F	-29°C	108,800	145,800	242,300	431,600
-30°F	-24°C	107,100	143,500	238,600	425,000

*Tank frosting acts as an insulator, reducing the vaporization rate.

Vaporization Rates for 100# Cylinders

Maximum Continuous draw in BTU per Hour At Various Temperatures In Degrees F					
LBS. of Propane in Cylinder	0°F	20°F	40°F	60°F	70°F
100	113,000	167,000	214,000	277,000	300,000
90	104,000	152,000	200,000	247,000	277,000
80	94,000	137,000	180,000	214,000	236,000
70	83,000	122,000	160,000	199,000	214,000
60	75,000	109,000	140,000	176,000	192,000
50	64,000	94,000	125,000	154,000	167,000
40	55,000	79,000	105,000	131,000	141,000
30	45,000	66,000	85,000	107,000	118,000
20	36,000	51,000	68,000	83,000	92,000
10	28,000	38,000	49,000	60,000	66,000

The table above shows the vaporization rate of containers in terms of the temperature of the liquid and the wet surface area of the container. When the temperature is lower or if the container has less liquid in it, the vaporization rate of the container is a lower value.

Search by Part Number

Part numbers are arranged in alpha-numeric order.

Item ID	Page	Item ID	Page	Item ID	Page	Item ID	Page	Item ID	Page	Item ID	Page
01266	81	10042	82	1160TC.5	68	202-48	64	314	88	4666	80
012806	81	100498-009	59	116614.00	46	2020	88	3144	82	4668	80
012808	81	100498-016	59	116615.00	46	204-44	64	3152	82	46812	80
012812	81	10054	68	1175TC	68	2082044	64	3154	82	4684	80
01288	81	10064	82	1212	88	2082088	64	315F	88	4686	80
01387	81	100701	74	121917.00	46	23173	88	3164	82	4688	80
01487	81	100702	74	1220.13	68	23191	88	3180S17001	33	48108	80
01537	81	100703	74	1223	88	240-004B	74	3181S17039	33	4844	80
042075-101	47	100704	74	12MP12FPX45	65	25459B	94	324-0202	82	4846	80
043260-101	47	100705	74	12MP12FPX90	65	299H-102	26	324-0404	82	48612	80
045806-101	47	100706	74	130003	68	299H-106	26	324-0606	82	4862	80
080905-000	47	100707	74	130009	33	29HY93	43	324-0808	82	4864	80
080905-012	47	100708	74	130012	33	29HZ04	43	3300-FGLV	89	4866	80
080905-017	47	100710	74	130021	33	29HZ07	43	35E363N	46	4868	80
083271-101	47	10086	82	130022	33	300	88	35M379X	46	48812	80
083502-000	47	10228.4	68	130023	33	301	88	40-414	33	4884	80
083771-003	61	1032	81	130037	33	302	88	40-415	33	4888	80
084981-000	47	1034	81	130066	33	300424218	82	41-1415-L	88	491012	81
090027-102	47	1036	81	130084	33	300424224	82	41-1415-XL	88	4946	81
090028-101	47	1038	81	133H-1	26	300424236	82	41S10	80	49612	81
090041-101	47	10393.1	68	14205TC.11HL	68	3062	81	41S6	80	4962	81
090042-101	47	10487TC	68	1426TC	68	3066	81	41S8	80	4964	81
100028-001	47	10504	68	1428	68	3068	81	4204	43	4966	81
100028-011	47	106-1000	32	14990TC	68	3094	81	4204-1	43	4968	81
100124	82	108-1000	32	1499TC.11HL	68	3096	81	4204-2	43	49812	81
100126	82	108-140	65	15-4	33	3098	81	4210	80	4988	81
100128	82	108-140F	65	15-7	33	3102	82	423	95	4PFJS	64
1001612	82	108-240	65	150360	69	3104	82	426	80	4PFZB	64
100168	82	108-240F	65	150361	69	3106	82	428	80	4X192	43
100213112	82	108-260	65	16MP16FPX90	65	3108	82	4410	81	4X193	43
100213118	82	108-260F	65	1X407	43	31012	82	446	81	50030	71
100213124	82	108-280	65	200313112	82	311	88	448	81	500301	74
100213136	82	108-300	65	200313118	82	31112	82	461012	80	500302	74
100299	74	108-320	65	200313124	82	3112	82	46108	80	500303	74
1003-0	42	10MT02	79	200313136	82	3114	82	4644	80	500304	74
1003-2	42	110-1000	32	200313148	82	3116	82	4646	80	500305	74
1003-3	42	110852.00	46	202-42	64	3118	82	46612	80	500306	74
1003-4	42	11326-00000-20	88	202-44	64	3131936	11	4662	80	500307	74
100300	74	114634.00	46	202-46	64	3131946	11	4664	80	500308	74

Search by Part Number

Part numbers are arranged in alpha-numeric order.

Item ID	Page	Item ID	Page	Item ID	Page	Item ID	Page	Item ID	Page	Item ID	Page
50035	71	5560TC	68	67CN-105	27	79350	71	99-505PH	26	APIAN05100BK	75
50100	71	558	81	67CN-106	27	79354	71	99-512P	26	APIAN05120BK	75
501012	81	5580TC	68	67CW-684	27	79784	71	99-513P	26	APIAN0515BK	75
50195	72	5595TC	68	67CW-685	27	80.8180	69	99-515P	26	APIAN0520BK	75
50199	72	5610	80	67CW-701	27	80.8184	69	99-901PH	26	APIAN0525BK	75
50294	72	566	80	68143HL	68	80.8185	69	99-903P	26	APIAN0530BK	75
503112	29	568	80	6FS	64	8010001	74	9902.1400	66	APIAN0535BK	75
50315	72	5714S02591	33	6FS	90	8010101	74	9902.1610	66	APIAN0540BK	75
50316	72	576	80	6FS-45	64	8010201	74	9910.1116	66	APIAN0550BK	75
50325	72	578	80	6FS-45	90	8010301	74	9910.1117	66	APIAN0560BK	75
50327	72	58500	72	6FS-90	64	8010401	74	9910.1118	66	APIAN0580BK	75
50333	72	58503	72	6FS-90	90	8010501	74	9910.1119	66	APIAN0701BK	75
50343	72	58505	72	6PFZB	64	8010601	74	9912	82	APIAN07100BK	75
50361	71	58507	72	6PMB	64	8010701	74	9912.0002	66	APIAN07120BK	75
5046	81	58509	72	6X073	43	8010801	74	9912.0009	66	APIAN0715BK	75
50461	72	5909	33	701-404	75	80SMP97	87	9914.0393	66	APIAN0715BK	75
50601	71	5986	33	7060101	74	825085.00	46	9915.0009	66	APIAN0725BK	75
50612	81	627-5810	25	7060301	74	825087.00	46	9915.0012	66	APIAN0730BK	75
5062	81	627-6210	25	7060401	74	825089.00	46	9915.0014	66	APIAN0735BK	75
50634	72	627-7710	25	7060501	74	825091.00	46	9917.0001	66	APIAN0740BK	75
50636	72	630-104/78	25	7107-0017	63	833-0	59	9917.0002	66	APIAN0745BK	75
5064	81	64-222	27	7107-0078	63	854F100P	95	9917.0006	66	APIAN0750BK	75
5066	81	64-33	27	7122-38200	63	880010-000	59	9917.0012	66	APIAN0755BK	75
5068	81	64-35	27	7132-100354	63	899-701	74	992	82	APIAN0760BK	75
50812	81	64-36	27	7132-25354E	63	899-704	74	9930.0531	66	APIAN0780BK	75
5088	81	6-4MP	64	7132-38354	63	899-705	74	9936.0642	66	APIAN1001BK	75
50929	72	6-4MP	90	7132-50354	63	899-708	74	994	82	APIAN1020BK	75
50969	72	64SR-21	27	7132-75354	63	899-710	74	996	82	APIAN1030BK	75
51323	72	64SR-23	27	7232-1252	63	906150.00	43	998	82	APIAN1040BK	75
51432	72	651080	16	7232-1503K	63	906151.00	43	AL343P	32	APIAN1050BK	75
51620	72	6762.11HL	68	7232-2003	63	906155.00	43	AL344P	32	APIAN1060BK	75
52547L	88	6765.11HL	68	7243-311	63	912-101	26	AL362P	32	APIBH0302BK	76
52547XL	88	67CD-100	27	75901	71	9161	68	AL409EP	32	APIBH0502BK	76
5305	68	67CD-102	27	75906	71	9257TC	69	AL409P	32	APIBH0503BK	76
5343S-2591	33	67CD-103	27	7661-16MP16LAR	63	9305	68	AL416P	32	APIBH0702BK	76
5364S01951	33	67CH-741	27	7661-32NP32LA	63	9315	68	AL417P	32	APIBH0703BK	76
5461TC	69	67CH-742	27	77181	71	94QCC1	69	APIAN0201BK	75	APIBH0705BK	76
5510	81	67CH-743	27	788700-036	59	99-503PH	26	APIAN0301BK	75	APIBH1002BK	76
556	81	67CN-104	27	789002-002	59	99-504PH	26	APIAN0501BK	75	APIBH1003BK	76

Search by Part Number

Part numbers are arranged in alpha-numeric order.

Item ID	Page	Item ID	Page	Item ID	Page	Item ID	Page	Item ID	Page	Item ID	Page
AP1BH1005BK	76	AP1NS03BK	76	AP2AS0730BK	77	AP2BH0301BK	79	AP2CF12BK	77	AP2PS05BK	78
AP1BH1007BK	76	AP1NS05BK	76	AP2AS0735BK	77	AP2BH0301BK	79	AP2CF15BK	77	AP2PS07BK	78
AP1CA02BK	75	AP1NS07BK	76	AP2AS0740BK	77	AP2BH0301BK	79	AP2CF20BK	77	AP2PS10BK	78
AP1CA03BK	75	AP1NS10BK	76	AP2AS0745BK	77	AP2BH0301BK	79	AP2CR0302BK	79	AP2PS12BK	78
AP1CA05BK	75	AP1PS02BK	75	AP2AS0750BK	77	AP2BH0702BK	79	AP2CR0502BK	79	AP2PS15BK	78
AP1CA07BK	75	AP1PS02BK	75	AP2AS0755BK	77	AP2BH0703BK	79	AP2CR0503BK	79	AP2PS20BK	78
AP1CA10BK	75	AP1PS05BK	75	AP2AS0760BK	77	AP2BH0705BK	79	AP2CR0702BK	79	AP2SC0705BK	79
AP1CF02BK	75	AP1PS07BK	75	AP2AS1001BK	77	AP2BH1002BK	79	AP2CR0703BK	79	AP2SC1005BK	79
AP1CF02BK	75	AP1PS10BK	75	AP2AS10120BK	77	AP2BH1003BK	79	AP2CR0705BK	79	AP2SC1007BK	79
AP1CF05BK	75	AP1TE02BK	76	AP2AS1020BK	77	AP2BH1005BK	79	AP2CR1002BK	79	AP2SC1207BK	79
AP1CF07BK	75	AP1TE03BK	76	AP2AS1025BK	77	AP2BH1007BK	79	AP2CR1005BK	79	AP2SC1210BK	79
AP1CF10BK	75	AP1TE05BK	76	AP2AS1030BK	77	AP2BH1007BK	79	AP2CR1007BK	79	AP2SC1510BK	79
AP1CR0201BK	76	AP1TE07BK	76	AP2AS1035BK	77	AP2BH1205BK	79	AP2CR1207BK	79	AP2SC1512BK	79
AP1CR0301BK	76	AP1TE10BK	76	AP2AS1040BK	77	AP2BH1207BK	79	AP2CR1210BK	79	AP2SC2010BK	79
AP1CR0302BK	76	AP1UN02BK	75	AP2AS1045BK	77	AP2BH1210BK	79	AP2CR2010BK	79	AP2SC2012BK	79
AP1CR0501BK	76	AP1UN03BK	75	AP2AS1050BK	77	AP2BH1505BK	79	AP2CR3020BK	79	AP2SC2015BK	79
AP1CR0502BK	76	AP1UN05BK	75	AP2AS1055BK	77	AP2BH1507BK	79	AP2CX02BK	78	AP2TE02BK	78
AP1CR0502BK	76	AP1UN07BK	75	AP2AS1060BK	77	AP2BH1510BK	79	AP2CX07BK	78	AP2TE05BK	78
AP1CR0703BK	76	AP1UN10BK	75	AP2AS1201BK	77	AP2BH1512BK	79	AP2CX10BK	78	AP2TE07BK	78
AP1CR0705BK	76	AP2AS0201BK	77	AP2AS1220BK	77	AP2BH2002BK	79	AP2FE05BK	78	AP2TE10BK	78
AP1CR1003BK	76	AP2AS0230BK	77	AP2AS1225BK	77	AP2BH2005BK	79	AP2FE07BK	78	AP2TE10BK	78
AP1CR1005BK	76	AP2AS0240BK	77	AP2AS1230BK	77	AP2BH2007BK	79	AP2FE10BK	78	AP2TE15BK	78
AP1CR1007BK	76	AP2AS0260BK	77	AP2AS1235BK	77	AP2BH2010BK	79	AP2FE12BK	78	AP2TE20BK	78
AP1FE02BK	76	AP2AS0301BK	77	AP2AS1240BK	77	AP2BH2012BK	79	AP2FE20BK	78	AP2UN02BK	78
AP1FE03BK	76	AP2AS0501BK	77	AP2AS1245BK	77	AP2BH2015BK	79	AP2NE02BK	78	AP2UN03BK	78
AP1FE05BK	76	AP2AS0520BK	77	AP2AS1250BK	77	AP2BH2512BK	79	AP2NE05BK	78	AP2UN05BK	78
AP1FE07BK	76	AP2AS0525BK	77	AP2AS1255BK	77	AP2BH2515BK	79	AP2NE07BK	78	AP2UN07BK	78
AP1FE10BK	76	AP2AS0530BK	77	AP2AS1260BK	77	AP2BH2520BK	79	AP2NE10BK	78	AP2UN10BK	78
AP1FS02BK	76	AP2AS0535BK	77	AP2AS1501BK	77	AP2BH3012BK	79	AP2NE12BK	78	AP2UN12BK	78
AP1FS03BK	76	AP2AS0540BK	77	AP2AS2001BK	77	AP2BH3015BK	79	AP2NE15BK	78	AP2UN15BK	78
AP1FS05BK	76	AP2AS0545BK	77	AP2AS2025BK	77	AP2BH3020BK	79	AP2NE20BK	78	AP2UN20BK	78
AP1FS07BK	76	AP2AS0550BK	77	AP2AS2030BK	77	AP2BH3025BK	79	AP2NS02BK	78	ASK300TX	89
AP1FS10BK	76	AP2AS0555BK	77	AP2AS2040BK	77	AP2CA12BK	78	AP2NS05BK	78	ASK400TX	89
AP1NE02BK	76	AP2AS0560BK	77	AP2AS2050BK	77	AP2CA20BK	78	AP2NS07BK	78	ASKWD400	89
AP1NE03BK	76	AP2AS0701BK	77	AP2AS2060BK	77	AP2CA30BK	78	AP2NS10BK	78	AT2-16-1	90
AP1NE05BK	76	AP2AS07120BK	77	AP2AS3001BK	77	AP2CF02BK	77	AP2NS12BK	78	AT2-2	90
AP1NE07BK	76	AP2AS0715BK	77	AP2AS3040BK	77	AP2CF05BK	77	AP2NS20BK	78	AT2-6	90
AP1NE10BK	76	AP2AS0720BK	77	AP2AS3060BK	77	AP2CF07BK	77	AP2PS02BK	78	AV1-12	90
AP1NS02BK	76	AP2AS0725BK	77	AP2BH0201BK	79	AP2CF10BK	77	AP2PS03BK	78	AV1-14	90

Search by Part Number

Part numbers are arranged in alpha-numeric order.

Item ID	Page	Item ID	Page	Item ID	Page	Item ID	Page	Item ID	Page	Item ID	Page
AV1-16	90	CL5023A	46	DS200PM	87	DS7-8	86	G105	31	HB06ML	84
B166-1	43	COBRA	90	DS200SM	87	DS83	87	G106	31	HB10ML	84
B166-75	43	CS200IR-6EC1	26	DS215	87	DSB	87	G107	31	HB10TL	84
B166B-1CAU	43	CS200IR-6EC3	26	DS216	87	DSNOPD	87	G109	31	HB20ML	84
BT2-7-4	90	CS200IR-6EC6	26	DS217	87	DSNSP	87	G12854	7	HB20TL	84
BV-1	34	CS400IR-8EC6	26	DS23	86	EB2	90	G201-10	31	HB30ML	84
BV-112	34	CS400IR-8EC7	26	DS23-8	86	ECOUNT	59	G201-16	31	HB30TL	84
BV-114	34	CS400IR-8EC8	26	DS23-8	86	EM152	88	G201-24	31	HDPDLF060-1P53	43
BV-2	34	CS800IR-8CC7	26	DS27	86	EM7034T	46	GG20	62	HDPDLF060-3P53	43
BV-34	34	CS800IR-8CC8	26	DS27G	86	EM7037T	46	GH-P	94	HDPFF060-1P51	43
C10	42	CT1/2	80	DS27S	86	EM7042T	46	GM3XNF	95	HDPFF060-1P53	43
C12	42	CT3/8	80	DS3	86	EM7044T	46	H110-250	30	HDPFF060-3P53	43
C13	42	CT425M	90	DS3	86	EM7047T	46	H110-312	30	HDPFF075-1P75	43
C14	42	CT5/8	80	DS30	86	EM7070T	46	H123	30	HDPFF075-3P75	43
C404-32-60	28	CTS050	71	DS35	86	F100	30	H124	30	HDPFF150-1P10	43
C4071005	27	CV	94	DS40	87	F105	30	H144	30	HDPFF150-3P10	43
C407M105	27	DLF060	42	DS41	86	F130	30	H148	30	HR06ML	84
C471-16-25	28	DLF075	42	DS43	86	F131	30	H173	30	HR10ML	84
C471-24-37	28	DLF150	42	DS44	86	F133	30	H174	30	HR10TL	84
C477-16-25	27	DOT	87	DS44PLC	86	F134	30	H185-250	30	HR15ML	84
C477-24-37	27	DS1075	87	DS44SM	86	F135	30	H284-250	29	HR15TL	84
C483-24-40	28	DS1075M	87	DS44SM	86	F191	30	H50GH	94	HR25ML	84
C484-24-40	28	DS1075SM	87	DS46	86	F195	30	H722-250	29	HR25TL	84
CA100-6	90	DS109	87	DS47	86	F199	30	H733-250	29	HSRL-BFC	25
CA100M-2	90	DS11	86	DS48	86	F276186	83	HA050-X	63	HSRL-CFC	25
CA125-6	90	DS110	87	DS4S	86	F276187	83	HA075-X	63	IPS075	71
CA125M	90	DS12L	86	DS50	86	F276190	83	HA100-X	63	IPS100	71
CA225-94	90	DS13-4	86	DS60	86	F276281	83	HA125-X	63	IPS125	71
CA425-2	90	DS13-8	86	DS61	86	F276328	83	HA130A	33	IPS150	71
CAGE20-12M	94	DS14V	86	DS62	86	F276330	83	HA150-X	63	IPS200	71
CAGE20-12MA	94	DS16	86	DS62	86	F276334	83	HA160A	33	J31L-1	31
CAGE20-18L	94	DS17	86	DS64	86	FF060	42	HA194A	33	J31L-2	31
CAGE20-18LA	94	DS18	86	DS65	86	FF075	42	HA200-X	63	J31L-3	31
CAGE33-12L	94	DS19	86	DS65M	86	FF150	42	HA210A	33	J31L-3L	31
CAGE33-12LA	94	DS2	86	DS7	86	FVKEY	94	HAB01	84	J31S-1	31
CAGE33-9M	94	DS200	87	DS70	87	FVLOCK	94	HAS03	84	J31S-2	31
CAGE33-9MA	94	DS200-15	87	DS70-3	87	G100	31	HAS04	84	J31S-3	31
CAS1000	89	DS200-8	87	DS70SM	87	G101	31	HAS050-X	63	J31S-3L	31
CGI26FO	87	DS200P	87	DS710P	87	G102	31	HAT050-X	63	JA124I	32

Search by Part Number

Part numbers are arranged in alpha-numeric order.

Item ID	Page	Item ID	Page	Item ID	Page	Item ID	Page	Item ID	Page	Item ID	Page
JA154I	32	LUM1H	91	ME1656AR	5	ME213	14	ME309-1	19	ME449X/19.5	8
JA192I	32	LUM2E	91	ME1662-30	4	ME214	14	ME319	5	ME450	8
JA206I	32	LUM2H	91	ME1662-36	4	ME215	15	ME322	5	ME453	8
JB2	90	M570	31	ME1662-48	4	ME216	15	ME350MV	21	ME455	8
JC04	85	M750C10	73	ME1665-20	4	ME217	15	ME351	5	ME458	8
JC124B	32	M750C17	73	ME1665-36	4	ME217PIB	24	ME352	5	ME460	8
JC154B	32	M750C21	73	ME1669-18	4	ME220F	18	ME353	5	ME462	8
JC190B	32	M750C27	73	ME1669-36	4	ME220FP	15	ME354	5	ME483	22
JC210B	32	M750C31	73	ME1679-18	4	ME220M	18	ME355	5	ME4835	64
JD080A	32	M750C38	73	ME1679-20	4	ME225	10	ME356	5	ME484	22
JD100F	32	M97AD	87	ME1679-30	4	ME226	10	ME357	5	ME485	22
JD120D	32	MA15	60	ME1679-48	4	ME227	10	ME388	13	ME4855	64
JD140D	32	MA4	60	ME1680-12	4	ME228	10	ME390	13	ME4857	64
JRDG	33	MA5	60	ME1680-36	4	ME229	15	ME390S	13	ME487	22
KO2-004	89	MA7	60	ME1680-48	4	ME229-1	15	ME390SWR-1	13	ME488	22
L422	32	ME100	13	ME1680L-20	4	ME229-EL	18	ME390WR-1	13	ME491	22
L423	32	ME106	15	ME1680L-36	4	ME233	15	ME392	13	ME492	22
L424	32	ME108	15	ME1680L-48	4	ME23C	19	ME393	13	ME493	22
LA12	85	ME109	15	ME1689-20	4	ME23E	19	ME393-1	21	ME494	22
LB2	90	ME10BTK-1-01	19	ME1689-36	4	ME24C	19	ME393-2	13	ME496	22
LB361CO	34	ME110	13	ME1691	5	ME252-16	14	ME394	13	ME498-4/2	15
LB361LC	34	ME111	13	ME1702A	4	ME262	15	ME398	21	ME502-12/8	14
LB361LU	34	ME112	13	ME1702B	4	ME270	15	ME399	21	ME502-16/10	14
LCR600	59	ME120WR	13	ME178	16	ME273	15	ME415	21	ME503-16	15
LCR-II	59	ME130WR	13	ME179	16	ME275	15	ME417	22	ME503PIB	24
LGF1PC	34	ME1328	19	ME180	16	ME277	15	ME420	21	ME508-24	14
LGF1PC-LF	34	ME1331	19	ME181	16	ME284	5	ME4252	64	ME50ECO-2	20
LGL125	34	ME1332	19	ME192	14	ME285	5	ME4253	64	ME50P-2	19
LGL150	34	ME140	13	ME193	14	ME286	5	ME431F	15	ME5133	64
LGLD2	34	ME141	13	ME200	20	ME287	5	ME4333	64	ME515	13
LGLD3	34	ME150	13	ME200PIB	24	ME295-1	19	ME4335	64	ME515-3	13
LGLD4	34	ME151	13	ME205	10	ME301	5	ME4355	64	ME516	13
LP-098MF	46	ME1629	5	ME206	10	ME302	5	ME4357	64	ME5161	13
LS16	85	ME1650	19	ME207	10	ME303	5	ME441F	15	ME516S	13
LT08	85	ME1654	5	ME207SF	10	ME304	5	ME441F8-1	15	ME516S-01	13
LT28	85	ME1654AH	5	ME208SF	10	ME305	5	ME442	15	ME517	21
LUM38E	91	ME1654AR	5	ME210	14	ME306	19	ME449	8	ME517-25H	21
LUM38H	91	ME1656	5	ME211	14	ME307	19	ME449EXS/28	8	ME517EV	21
LUM1E	91	ME1656AH	5	ME212	14	ME308	19	ME449S	8	ME518	21

Search by Part Number

Part numbers are arranged in alpha-numeric order.

Item ID	Page	Item ID	Page	Item ID	Page	Item ID	Page	Item ID	Page	Item ID	Page
ME518-25H	21	ME651S	17	ME807V-16	23	ME870-10	12	ME980-24	10	MEGR-1122H-AAJ	2
ME519	21	ME652S	17	ME815-10	11	ME870-16	12	ME980-6	10	MEGR-1222H-BGJ	2
ME519-25H	21	ME653S	17	ME815-12	11	ME870-6	12	ME980-8	10	MEGR-1232-HBF	2
ME530	22	ME654S	17	ME815-16	11	ME870S-24	12	ME981-10	12	MEGR-1232-HFF	2
ME530-03	22	ME655S	17	ME815-24	11	ME875S16	12	ME981-16	12	MEGR-1252-DFF	2
ME530PL	22	ME656S	17	ME815-6	11	ME875S24	12	ME981-24	12	MEGR-1622-BCF	2
ME533	22	ME656S-3F	17	ME815-8	11	ME880-10/42	12	ME981-6	12	MEGR-1622-DFF	2
ME5335	64	ME656S-4F	17	ME815IBC-16	24	ME880-16/114	12	ME981-8	12	MEGR-1622E-DCH	2
ME5355	64	ME662SC	6	ME820-6	12	ME880-4/1.8	12	ME983-16	10	MEGR-1622H-JGJ	2
ME5357	64	ME663	6	ME820-8	12	ME880-6/28	12	ME990-10-55	8	MEGR-1627/497	3
ME540	6	ME665SC	6	ME821-4	12	ME880S-24/350	12	ME990-10-902	10	MEGR-1627/5810	3
ME5653	64	ME671D-8	8	ME821-6	12	ME900-6	21	ME990-16-260	8	MEGR-1627/6210	3
ME568	13	ME673DEX	8	ME825-10	11	ME902S-16B/250	16	ME990-24-500	8	MEGR-1627/7710	3
ME569	13	ME7326	64	ME825-12	11	ME903S-16B/250	16	ME990-3F-400	9	MEGR-1630-104/78	3
ME570	6	ME7327	64	ME825-16	11	ME903S-3F/250VM	16	ME990-4F-500	9	MEGR-1632-CFF	2
ME571	6	ME7328	64	ME825-24	11	ME903S-4F/250VM	16	ME990A-16-260	8	MEGR-1632-JFF-VG	2
ME571H	6	ME7329	64	ME825-6	11	ME904S-16B/250	16	ME990A-24-500	8	MEGR-1632-JFFXB	2
ME572	6	ME7331	64	ME825-8	11	ME904S-3F/250VM	16	ME990A-4F-500	9	MEGR-164/222	4
ME574	6	ME7332	64	ME825IBC-16	24	ME904S-4F/250VM	16	ME990AR-4F	9	MEGR-1642-DFF	2
ME574EXT	6	ME777-6	14	ME831	20	ME9101BRK	7	ME990M-10-55	8	MEGR-164-6/222	4
ME5835	64	ME778-6	14	ME831S	20	ME9101C1	6	ME990M-4F-500	9	MEGR-1652-DFF	2
ME5930	64	ME779-6	14	ME8346	18	ME9101D-11.7	6	ME990S-2F-16	9	MEGR-175CS61622	2
ME5930	5	ME779N-6	14	ME840-10-125	17	ME9101H6	18	ME990S-3DF-500	9	MEGR-1HSRL-BFC	3
ME5931-78	64	ME790	18	ME840-12-125	17	ME9101P5H	18	ME990S-3DFM	9	MEGR-1HSRL-CFC	3
ME5931-78	5	ME791C	14	ME840-16-125	17	ME930-72	11	ME990S-3F-24	9	MEGR-230	3
ME60110	6	ME791CJ	14	ME840-24-100	18	ME930C-72	11	ME990SA-2F-16	9	MEGR-253	2
ME6016	18	ME791D	14	ME840-6-150	18	ME930CWG-72	11	ME992-10-85	9	MEGR-253H	2
ME601-902	15	ME792C	14	ME840-8-150	18	ME930WG-72	11	ME992-16-260	9	MEGR-291	3
ME60-2	19	ME792D	14	ME850SS6	6	ME931	11	ME992-24-475	9	MEGR-298	3
ME602-8	18	ME796	13	ME850SS8	6	ME932	11	ME992M-10-85	9	MEGR-350-20	3
ME60P-2	19	ME800	6	ME860S6	12	ME940-108	11	ME992M-16-260	9	MEGR-6120-30	3
ME60P-5	19	ME800EXT	6	ME860S8	12	ME940C-108	11	ME992M-24-475	9	MEGR-CS1200IR6EC1	3
ME611	15	ME800G	6	ME861S6	12	ME940CWG-108	11	ME-GMC4	22	MEGR-CS1200IR6EC3	3
ME612	15	ME800G-6	6	ME861S8	12	ME940WG-108	11	ME-GMC4-02	22	MEGR-CS1200IR6EC6	3
ME614	15	ME800GC	6	ME866-10	24	ME951BLK	22	ME-GMC4-03	22	MEGR-S1202G-BNC	3
ME635-6	13	ME806-16	23	ME867-10	24	ME952BLK	22	ME-GMC6	22	MEGR-S1202G-CNC	3
ME635-8	13	ME806S-16	23	ME868-16	24	ME970P	5	ME-GMCL4	22	MEH225	17
ME646-8	13	ME807PIB	24	ME868-24	24	ME980-10	10	MEGR-1222-DFF	2	MEH25/450	17
ME650S	17	ME807S-16	23	ME868PIB	24	ME980-16	10	MEGR-1232-BBF	2	MEH50/460	17

Search by Part Number

Part numbers are arranged in alpha-numeric order.

Item ID	Page	Item ID	Page	Item ID	Page	Item ID	Page	Item ID	Page	Item ID	Page
MEH502	16	MEP121	20	MES-HA210A	7	N301-06	30	PB04	85	RKJ2	90
MEH503	16	MEP122	20	MES-HA254JP	7	N301-08	30	PB16	85	RKL2	90
MEH75/460	17	MEP125	20	MES-JA124I	7	N310-10	30	PECV664	29	RKVFF302	90
MEJ400	18	MEP1286	12	MES-JA154A	7	N310-16	30	PKEY	94	RL100-108	59
MEJ400/72	18	MEP175-45	18	MES-JA192I	7	N310-24	30	PLOCK	94	RL125-21	59
MEJ400SC	18	MEP175P	18	MES-JA206I	7	N401-06	30	PRA-1	71	RL150-21	59
MEJ402S	18	MEP456A	4	MES-TA130A	7	N401-08	30	PRA-34	71	RL200-21	59
MEJ410	18	MEP650	10	MES-TA160A	7	N410-10	30	PT1	72	RQ2	87
MEJ410/72	18	MEP651	10	MES-TA194A	7	N410-16	30	PT114	72	S10143-24-24	63
MEJ410SC	18	MEP700	21	MES-TA210A	7	N410-24	30	PT2	72	S101HY-12-12	63
MEJ415	20	MEP801	24	METL051	19	N551-10	29	PT34	72	S101HY-20	63
MEJ500	20	MEP801PIH	24	MEV125B/250	17	N551-16	29	PV3004A	69	S275	59
MEJ501	20	MEP801PIK	24	MEV200FIR/250	16	N551-24	29	PV4004A	69	S91	72
MEJ502	20	MEP802	24	MEV200SIR/250	16	N562-16	29	PVS18P	84	S934	72
MEJ503	20	MEP804	24	MEV250VM/250	17	N562-26	29	PVS35P	84	SA130A	32
MEJ504	20	MEP990-24	10	MEV300FIR/250	16	NS410	80	PVSA1	84	SA160A	32
MEJ505	20	MEP990-4F	10	MEV75FIR	18	NS46	80	PVSHT2	84	SA194A	32
MEJ510	20	MER403-18	5	MEVS-431/250	17	NS48	80	R09-016-33-02	65	SA214A	32
MEJ511	20	MER406AR-36	5	MEVS-431B/250	17	NT05	79	R122H-AAJ	25	SC130B	32
MEJ512	20	MER409-36	5	MEVS-433AM	7	NT07	79	R232A-BBF	25	SC160A	32
MEJ513	20	MER413-24	5	MEVS-443AM	7	NT10	79	R232A-HBF	25	SC194D	32
MEJ516	20	MER425-15	5	MEVS-445AM	7	P164B	29	R32-016-33-02	65	SC214C	32
MEJ524	20	MER426-20	5	MEVS-445AT	7	P313	28	R622-BCF	25	SCPI	72
MEJ526	20	MER428-120	5	MEVS-453AM	7	P322	31	R622-DFD	25	SCP34	72
MEJ542	20	MER610-48	5	MEW1	93	P323	31	R622-DFFXB	25	SD080D	32
MEJ552	20	MES-10ARF	18	MH125FAV	83	P327D	29	R622H-JGJ	25	SD100C	32
MEJ580	20	MES-2030BCSC-11.6	7	MH15T	83	P340	28	R622H-JGK	25	SD120G	32
MEJ595	19	MES-2035ATSC-11.7	7	MH170FAVT	83	P341	28	R632A-CFF	25	SD140A	32
MEJ600-02	20	MES-2035ATSC-250	7	MH18B	83	P389	28	R632A-JFF	25	SKVA	20
MEJ601	19	MES-32508LH	7	MH30T	83	P4-100	62	R642-DFD	25	SKVB	20
MEJ602	19	MES-3250BC-312	7	MH35CLP	83	P4-150	62	R652-DFD	25	SRDG	33
MEJ603HP-01	20	MES-3250CLG-11.6	7	MH35FA	83	P4-200	62	RAD64051206	88	SS04	85
MEJ603LP-01	20	MES-3250CLM-11.6	7	MH400FAVT	83	P539A	29	RC20-1	35	SS08	85
MEJ608B-02	19	MES-3329-13LH-KIT	7	MH45T	83	P551	29	RC20-2	35	SS16	85
MEJ700	20	MES-FG1284-001U	7	MH60FAV	83	P613	28	RC25-1	35	SS8UL	63
MEJ701	20	MES-FG2284-001	7	MH9B	83	P614	28	RC25-2	35	ST1	72
MEJ702	20	MES-HA130A	7	N120-06	31	P623	28	RE12	85	ST34	72
MEP104-24	16	MES-HA160A	7	N120-08	31	P631	28	RKCOBRA	90	STCHOCKER	93
MEP120B	20	MES-HA194A	7	N201	31	P639	28	RKE2	90	STKX0100-SN	88

Search by Part Number

Part numbers are arranged in alpha-numeric order.

Item ID	Page	Item ID	Page
STLUG8	93	VL5023A	46
T1139599012	29	VL5024A	46
TA130A	33	VL5027	46
TA160A	33	X SADDLE	93
TA194A	33	XR-10B-12-36-L-ZDC	73
TA210A	33	XR-10B-12-72-L-ZDC	73
TANKROL	95	XR-10B-8-36-L-ZDC	73
TB2	93	XR-10B-8-72-L-ZDC	73
TB3	93	XR-17C-12-36-L-ZDC	73
TCHS07512U	65	XR-17C-12-72-L-ZDC	73
TCHS07518U	65	YT71	85
TCHS10012U	65	YT75	85
TCHS10018U	65	Z3200	44
TCHS12512U	65	Z4200	44
TCHS12518U	65	ZVG2	62
TCHS15018U	65		
TCHS20018U	65		
TCHS20024ME	65		
TCHS30018FL2	65		
TCHS30024U	65		
TDV	84		
TJ	93		
TLGLF3	34		
TLGLF4	34		
TS28	85		
TT33	85		
TT41	85		
TW90	85		
US410	80		
US46	80		
US48	80		
V13414	69		
V20691.1	69		
V21012	69		
V21130	69		
VAP327G	89		
VB302	88		
VENTRU-EVAC	95		
VFF302	90		

Glossary

Acme Adapters.....	14, 15
Acme Caps.....	15
Acme Plugs.....	16
Angle Valves.....	11, 24, 30
Autogas Dispensers.....	62
Backpressure Valves.....	31
Back Check Valves.....	12, 31
Baldor Electric	46
Ball Valves.....	74
Base Engineering	89
Blackmer Pumps	34-41
Brass Fittings.....	80-82
Bushings.....	82
Couplings.....	82
Crosses.....	82
Elbows.....	81-82
Flare Fittings.....	80-81
Nipples.....	81
Plugs.....	81
Tees.....	81-82
Street Tees.....	82
Breakaway Couplings.....	12
Bypass Valves.....	8, 17, 18, 34, 43
Cages.....	94
Camping Fittings.....	22
Camping Tees.....	21
Carburetion Fittings.....	18, 90
Carburetors & Accessories.....	90
CGA 555 Fittings.....	19
Chicago Fittings	73
Cleaners & Hand Cleaners.....	85
Compressors.....	34
Copper Pigtails & Hogtails.....	4
Copper Tubing.....	80
Corken Pumps	42-45
Cylinder Collars.....	21
Cylinder Filling Valves.....	31
Cylinder Valve Wrenches.....	20
Cylinder Vise.....	94
Cylinders.....	68-69
Decals.....	86-87
Differential Valves.....	47
Dispensers.....	62
Earthquake Valves.....	88
Electric Motors.....	46
Emergency Shutoff Valves & Accessories.....	10, 29
Empire Comfort Heaters	84
Engine Fuel Valves.....	18

Glossary

Excess Flow Valves.....	12, 30
Explosion-Proof Switches.....	42, 46
Filler Couplings.....	13, 18
1-1/4" F. Acme (Fill through Forklift Service Valve).....	18
1-3/4" F. Acme (Filler Valve Connection).....	13
POL Filler Couplings.....	13
QCC Filler Couplings.....	13
Filler Hose Adaptor.....	6, 31
Filler Valves.....	6, 18
ASME Filler Valves (1-3/4").....	6
Forklift Filler Valves (3/4").....	18
Remote Filler Valves.....	18
Filters.....	17, 91
Fire Extinguishers.....	95
Fisher	25-31
Flex Connects.....	65
Flexible Risers.....	73
Forklift Cylinder Valves.....	18
Forklift Cylinders.....	68
Fuel Management Systems.....	62
Gas Cocks.....	81
Gas Connectors (Flexible Stainless Steel).....	82
Gas Detectors.....	88
Gaskets.....	93
Gasola	85
Gas Box.....	22
Gauges & Accessories.....	7, 11, 31-33
Float Gauges for 120-1,000 Gallon Tanks.....	7, 32-33
Float Gauges for Bobtails & Transports.....	11
Float Gauges for Large Stationary Tanks.....	11
Replacement Dials.....	33
Rotary Gauges.....	31
Gear Trains.....	47
Globe Valves.....	11, 24, 30
Gloves.....	88
Hannay Hose Reels & Parts	65-66
Heaters.....	83-84
High Pressure Gas Connections.....	19
Hogtails.....	4
Hose & Hose Fittings.....	63-65
Hose End Valves.....	6, 12, 14, 32, 62
Hose End Valve Holsters.....	24
IMPCO	90
Internal Valves & Accessories.....	8-10, 27, 28, 62
Krug Products	94
Leak Detector.....	85
Leeson Motors	46
Liqua-Tech	47-58

Glossary

Liquid Controls	59-61
Liquid Transfer Adapters.....	8
Liquid Withdrawal Valves.....	8
Locks.....	6, 22, 94
Filler Valve Locks.....	22, 94
Nozzle/Hose End Lock.....	6
POL Locks.....	22, 94
Lovejoys.....	43
Low Emission Valves.....	6, 14, 23, 24, 32, 62
Angle Valves.....	24
Globe Valves.....	24
Hose End Valves.....	6, 14, 32, 62
Transfer Valves & Adapters.....	23, 24
Lubricants.....	85
Manchester Tank	68-69
Manometers.....	19, 88
Marshall Excelsior	2-24
Measuring Chambers.....	47
Meters & Meter Parts.....	47-61
Methanol Injectors.....	21
MidCom	59
Motors.....	46
Needle Valves.....	20
Neptune	59
O-Rings.....	93
OPD Valves.....	69
Parafour	62
Penetrants.....	85
Perfection	71-72
Pigtails.....	4
POL Adaptors & Plugs.....	5
Polyethylene Tubing & Fittings.....	71-73
Pressure Gauges.....	19, 20
Pumps.....	34-45
QCC Connectors & Installation Adapters.....	21
Quick Connects.....	22, 83
Red Seal Measurement	59
Registers.....	59
Regulators.....	2, 3, 4, 25-27
Automatic Changeover Regulators.....	2
Commercial/Industrial High Pressure Regulators.....	3, 4, 25-27
Commercial/Industrial Low Pressure Regulators.....	3, 26
First Stage Regulators.....	2, 25
Integral Two-Stage Regulators.....	2, 3, 25
Second Stage Regulators.....	2, 25
Single-Stage Portable Appliance Regulators.....	3, 26

Glossary

Regulator Test Kits & Accessoris.....	19-21, 88
Leak Detector Kits.....	20
Manometers.....	19, 88
Pressure Test Kits & Accessories.....	19
Vent Assemblies.....	21
Relief Valves.....	7, 16-18, 29, 30
External & Hydrostatic Relief Valves.....	16, 17, 30
Forklift Relief Valves.....	18
Internal Relief Valves (3/4", 1", & 1-1/4").....	7
Internal Relief Valves for Bobtails & Transports.....	16, 29
Internal Relief Valves for Stationary Tanks.....	16, 29
Manifolds.....	16
Remote Safety Shutdown System for Bobtails.....	89
Risers.....	71, 73
Rotary Gauges.....	31
Rubber Pigtails.....	5
Safety Glasses.....	88
Sealants.....	85
Seismic Valves.....	88
Service Valves.....	6, 7, 18, 32
ASME Container Service Valves.....	6
Forklift Service Valves.....	18
Liquid/Vapor Service (3/4" FP outlet).....	32
Multivalves for up to 420# Cylinders.....	7
Multivalves for ASME Containers.....	6
Smart Hose	65
Smart Interlock Technology.....	24
Spanner Wrenches.....	20
Spiders.....	43
Squibb Taylor	32, 33
Steel Pipe & Fittings.....	75-79
Extra Heavy.....	77-79
Bushings.....	79
Caps.....	78
Couplings.....	77
Crosses.....	78
Elbows.....	78
Nipples.....	77
Plugs.....	78
Reducer Couplings.....	79
Swage Nipples.....	79
Tees.....	78
Unions.....	78

Glossary

Steel Pipe & Fittings (cont.).....	75-79
Schedule 40.....	75-76
Bell Reducers.....	76
Bushings.....	76
Caps.....	75
Couplings.....	75
Elbows.....	76
Nipples.....	75
Plugs.....	75
Tees.....	76
Unions.....	75
Swing Check Valves.....	12
Swivel Adapters.....	65
Swivels (Hose End).....	6, 32
Swivel Joints.....	11, 65
Tanks.....	68-70
Tank Brackets.....	93
Tank Handling.....	93-95
Tank Rollers.....	95
Tank Valves.....	6-8, 18
Tee Blocks.....	4
Tee Checks.....	4
Teflon Tape.....	85
Thermometers.....	20
Tracer Wire.....	72
Vaporizers.....	92
Vapor Meters.....	59
Veeder-Root	59
Ventur-Evac.....	95
Vent Valves.....	18
Wheel Chock.....	20
Y-Strainers.....	17

Company Policies

Pricing

Pricing is subject to change without notice. For current pricing, please call one of our branches for a quote.

Past Due Invoices

If any invoice is not paid within 30 days after the invoice date, interest shall be payable at the rate of ten percent (10%) per annum on any outstanding balance accruing from the invoice date until the entire balance and accrued interest is paid in full.

Returns

Returns must be made within 30 days of purchase. Returns may incur a restocking fee at the discretion of the manufacturer. Some special order or non-stock items may be non-returnable. Please call All Propane prior to sending back a return.

Warranties

All warranties are subject to the manufacturer's policy. Warranty claims must be placed through All Propane. The typical process is that we return the part(s) to the manufacturer for testing. Once the manufacturer determines the cause of the failure, they will decide if credit, repair, or replacement is necessary.

Damages & Shortages

Damage or shortage claims on shipments must be made within 5 days of receiving the shipment. Damaged boxes and shipments must be documented with the delivery driver for us to process a claim. Taking pictures of the damage can help with the claims process. Shortages will be verified by All Propane and remedied as needed.