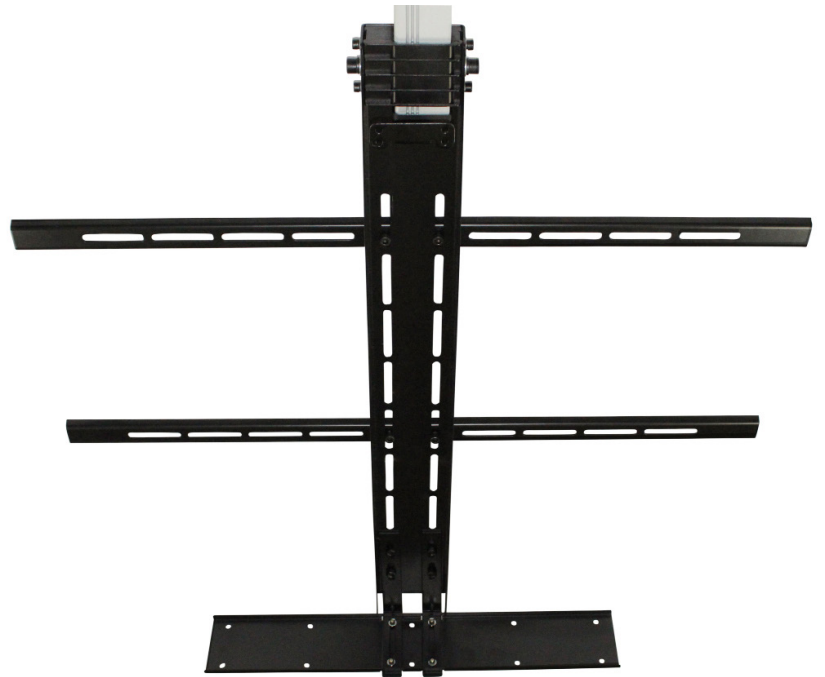


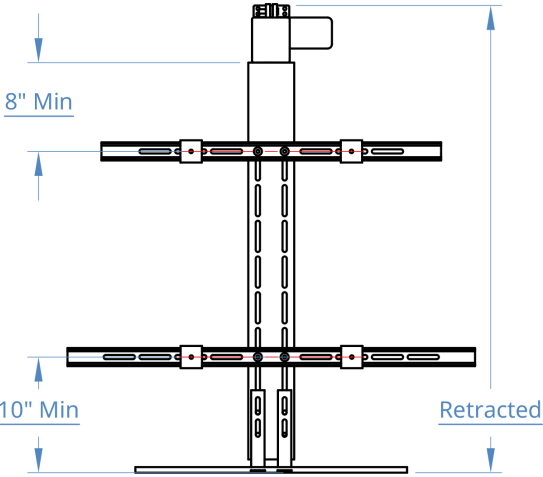
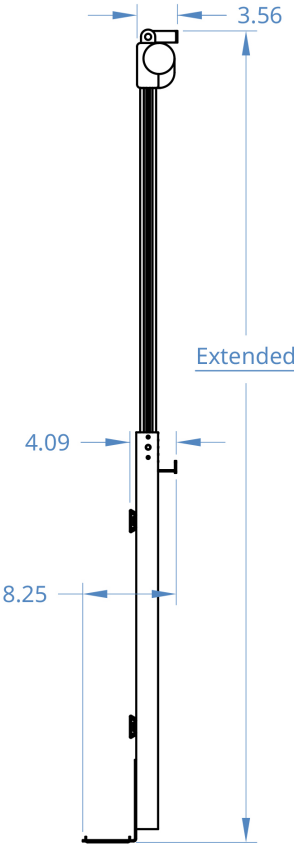
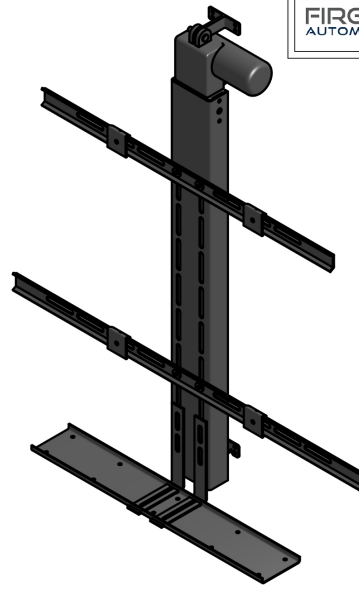


UTVL - 200 Series DROP DOWN TV LIFT



Caution

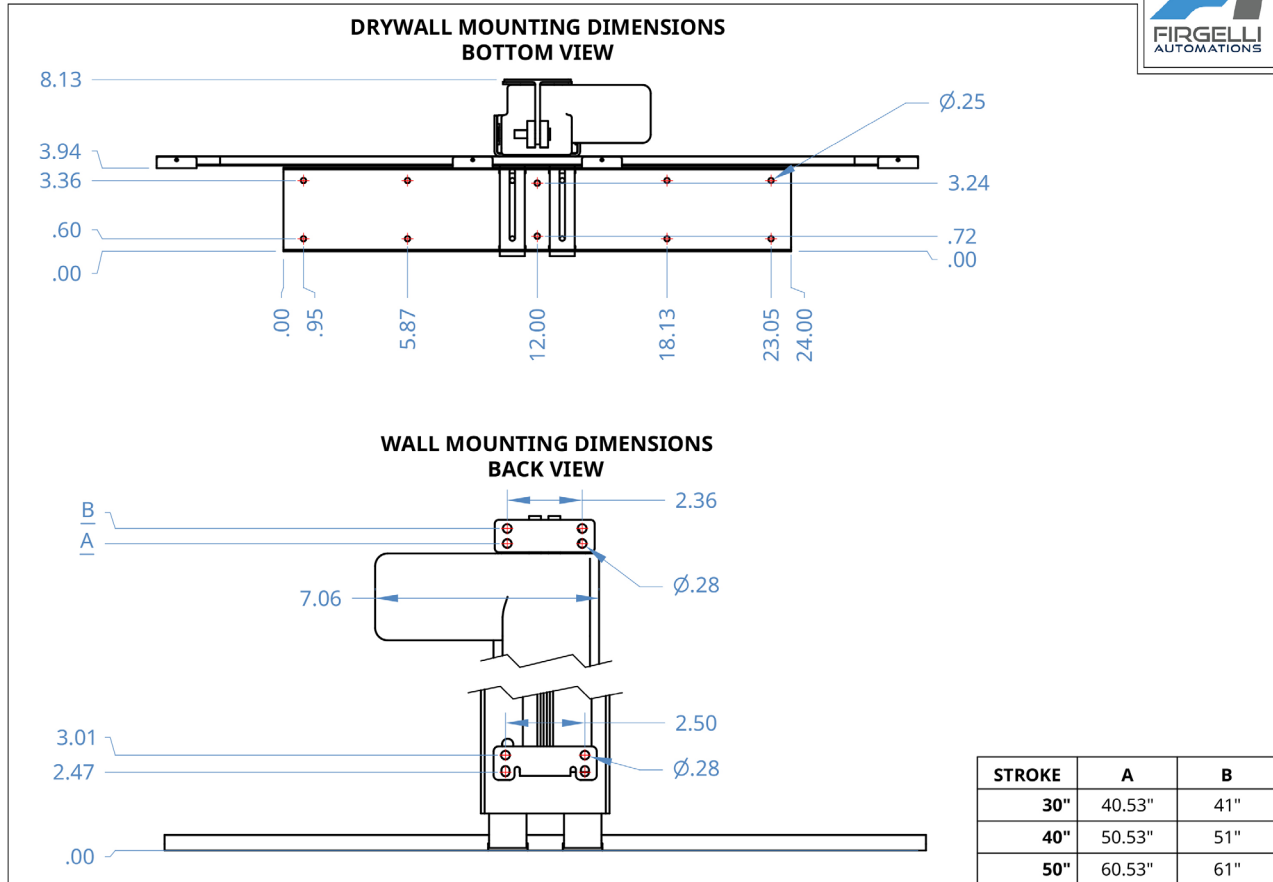
⚠	<p>Make sure no obstacles are in the lift's path. Make sure the lift is not touching any walls. Make sure all cords are appropriate length to accommodate the change in height.</p>	⚠		<p>⚠ WARNING Pinch Point Keep hands and fingers clear.</p>
⚠	<p>Keep children away from electric TV lift, control units and remotes. There is a risk of injury and electric shock</p>	⚠		
⚠	<p>Keep all electrical components away from liquids.</p>	⚠		
⚠	<p>Do not sit or stand on the TV lift. Do not crawl or lie under the TV lift.</p>	⚠		
⚠	<p>Do not open any of the components - the linear actuator, control box or remote. There is a danger of electric shock.</p>	⚠		
i	<p>This product is designed with a duty cycle of 10% (2 min. on, 18 min. off).</p>	i		

PART NUMBER FA-UTVL-200-XX	DESCRIPTION DROP DOWN TV LIFT													
 <p>FRONT VIEW RETRACTED</p>	 <p>SIDE VIEW EXTENDED</p>	 <p>ISOMETRIC RETRACTED</p>												
<table border="1"> <thead> <tr> <th>STROKE</th> <th>RETRACTED</th> <th>EXTENDED</th> </tr> </thead> <tbody> <tr> <td>30"</td> <td>41"</td> <td>71"</td> </tr> <tr> <td>40"</td> <td>51"</td> <td>91"</td> </tr> <tr> <td>50"</td> <td>61"</td> <td>111"</td> </tr> </tbody> </table>			STROKE	RETRACTED	EXTENDED	30"	41"	71"	40"	51"	91"	50"	61"	111"
STROKE	RETRACTED	EXTENDED												
30"	41"	71"												
40"	51"	91"												
50"	61"	111"												

Specifications

PART NUMBER
FA-UTVL-200-XX

DESCRIPTION
DROP DOWN TV LIFT



Model	FA-UTVL-200-30	FA-UTVL-200-40	FA-UTVL-200-50
Retracted Length	39 inches	49 inches	59 inches
Stroke	30 inches	40 inches	50 inches
Recommended TV Size	up to 30" tall	up to 40" tall	up to 40" tall
Input Voltage	110 volt AC / 60H		
Output Voltage	24 volt DC, Max 50 VA		
Input Current	1 amp		
IP Rating	43		
Operational Temperature	-15°F to 150°F (-26°C to 65°C)		
Duty Cycle	10% max, 2 min. on, 10 min. off		
Load Capacity	120 lbs.		
Depth	4 3/8 inches		
Noise	5 dB		
Speed	0.8 inches per second		
Limit Switch	Built in, includes external micro switch		
Control Options	RF Wireless Remote and Wired		

Components



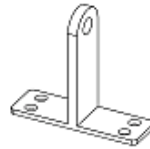
Track Linear Actuator
x 1



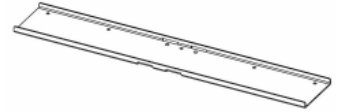
Main Long Bracket
x 1



L Brackets
x 2



T Bracket
x 1



Drywall Bracket
x 1



Small TV Brackets
x 4



Long TV Support Arms 30"
x 2



Long TV Support Arms 36"
x 2



Control Box
x 1



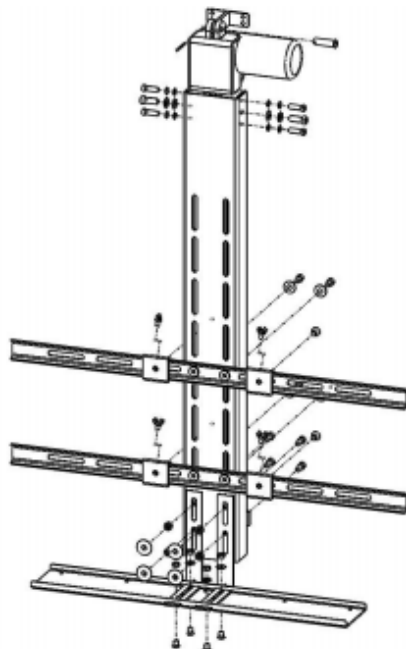
Wireless Remote
x 2



Limit Switch
x 1



Rocker Switch
x 1

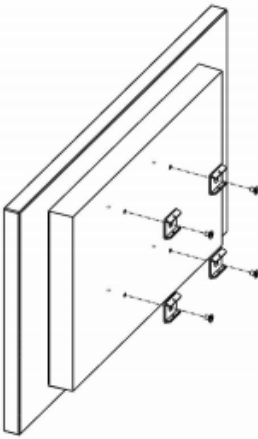


Hardware		
Bag	Name	Quantity
Screws for Drywall	Phillips Countersunk Screws M5 x 10	4
	Flat Washer M6	4
	Nut M5	4
	Hex Bolt M8 x 12	4
	Nut M8	4
Screws for Sliders and TV Mounting Bars	Phillips Countersunk Screws M5 x 8	4
	Hex Bolt M8 x 10	4
	Butterfly Wing Nut Screw M5 x 9	4
	Hex Bolt M10 x 25	2
Mounting Accessories for TV Bracket	Flat Washer M11	2
	Locking Washer M11	2
	Hex Bolt M6	4
	Flat Washer M6	4
	Locking Washer M6	4
	End Mounting Parts	Clevis Pin
	Cotter Pin	1

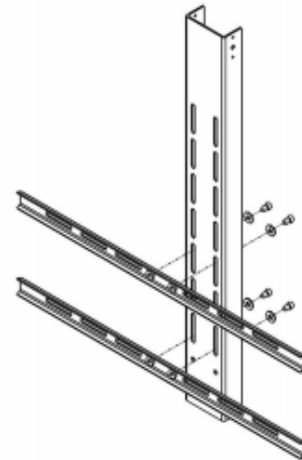
Assembly Instructions



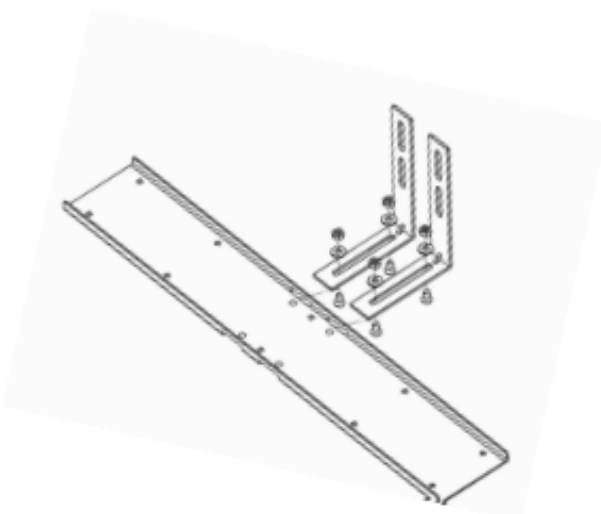
1. Attach the Small TV Brackets (4) to the back of your television using the four M5 x 8 Phillips Countersunk Screws. Please be aware that the supplied screws may not fit your television. Ensure that you have the appropriate TV mounting screws before continuing. Tighten until secure.



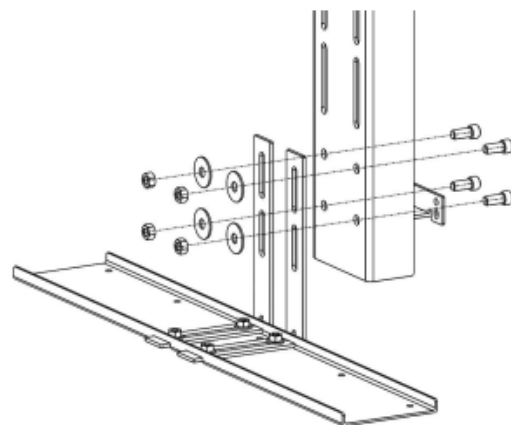
2. Attach the Long TV Support Arms (2) to the Main Long Bracket using the four M8 x 10 Hex Bolts. Choose the 30" or 36" arms depending on the width of your TV. Measure and space the arms so the TV can slide on using the TV brackets from step 1. Tighten until secure.



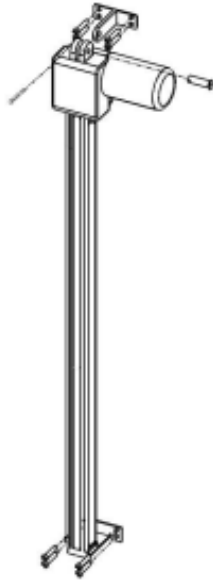
3. Slide the L Brackets (2) through the slots on the Drywall Bracket and attach using the four M5 x 10 Phillips Countersunk Screws, M6 Washers, and M5 Nuts. Tighten until secure.



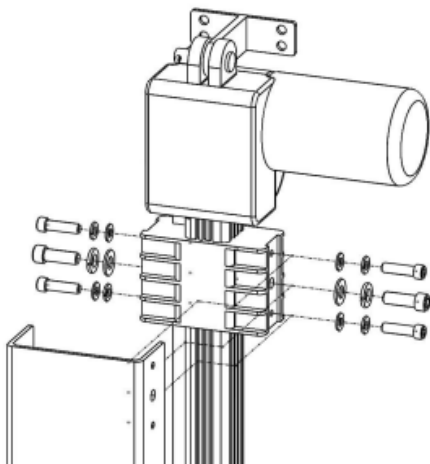
4. Attach the assembled Drywall Bracket to the Main Long Bracket using the four M8 x 12 Hex Bolts and M8 Nuts. Note that the Drywall Bracket can be attached to either side of the Main Bracket. Tighten until secure.



5. Attach the “T” Bracket to the top end of the Track Actuator using the Clevis Pin and secure it with the Cotter Pin.

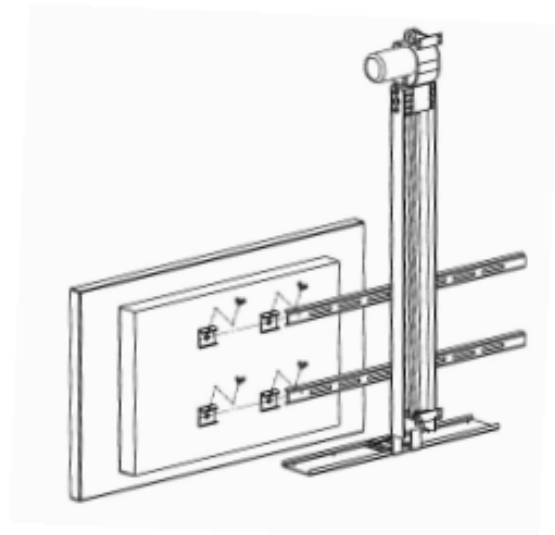


7. Plug in the actuator to the Control Box and extend the actuator. Mount the assembled Main Long Bracket to the sliding carriage on the Track Actuator using the four M6 x 25 Hex Bolts, M6 Locking Washers and M6 Washers for the smaller holes on the outside and the two M10 x 25 Hex Bolts, M11 Locking Washers, and M11 Washers for the middle holes. Install all of the bolts before tightening to ensure proper alignment.



6. The Track Actuator may now be mounted to your installation using the top “T” Bracket and the attached bracket at the bottom of the actuator. Ensure the position of the actuator allows for the correct fit of the TV and the drywall bracket. Screws are not provided for this step. Use the appropriate hardware for your installation.

8. Now that the Drop Down TV Lift is assembled you can attach your TV to the lift. Slide the TV Mounting Brackets onto the TV Long Arms and secure using the four M5 x 9 Butterfly Wing Nut Screws. Tighten until secure.



9. Program the Wireless Remote by pressing and holding the reset button on the side of the Control Box. While the reset button is held press either the *up* or *down* button on the wireless remote once. Release the reset button and the Wireless Remote is ready for use.



11. For momentary control use the optional Rocker Switch. Plug it into the Control Box and hold “2” on the Rocker Switch to move the lift up and hold “1” to move the lift down.



10. The Wireless Remote can be used for non-momentary operation. Press the *up* button once to move the lift up and press the *up* or *down* button to stop the lift at any time. Press the *down* button once to move the lift down and press the *down* or *up* button to stop it.

12. To stop the TV lift from retracting further than desired you may install the External Limit Switch. This step is completely **optional** and does not need to be completed in order for the TV lift to operate. The Limit Switch stops the lift from moving once it is pressed. Plug the Limit Switch into the Control Box and then install it so it will be pressed while the lift is moving up and right before the Drywall Bracket touches the ceiling. You may need to make a bracket to screw the Limit Switch to.

