


















Firgelli E-Desk 3 Leg Sit Stand Desk Lift Assembly Instructions



CAUTION / INFORMATION

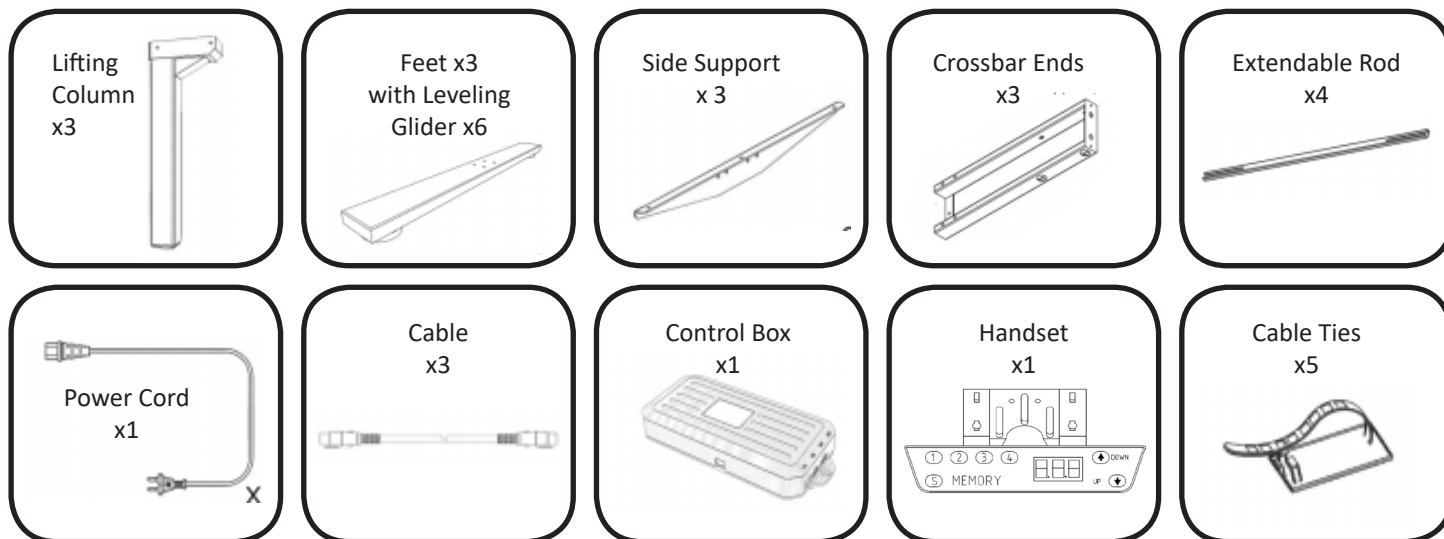
	Make sure no obstacles are in the desk's path. Make sure the desktop is not touching any walls. Make sure all cords are appropriate length to accommodate the change in height.			WARNING Pinch Point Keep hands and fingers clear.
	Keep children away from electric height-adjustable desks, control units and handsets. There is a risk of injury and electric shock.			
	Keep all electrical components away from liquids.			
	Do not sit or stand on the desk frame. Do not crawl or lie under the desk frame.			
	Do not place any objects taller than 20" underneath the desk.			
	Do not open any of the components - the Legs, Control Box, or Switch. There is a danger of electric shock.			
	This product is designed with a duty cycle of 10% (2 min. on, 18 min. off).			
	In the event of a power outage or if the power cord is unplugged, a manual reset may be necessary - see Step 12.			

USE / LIABILITY

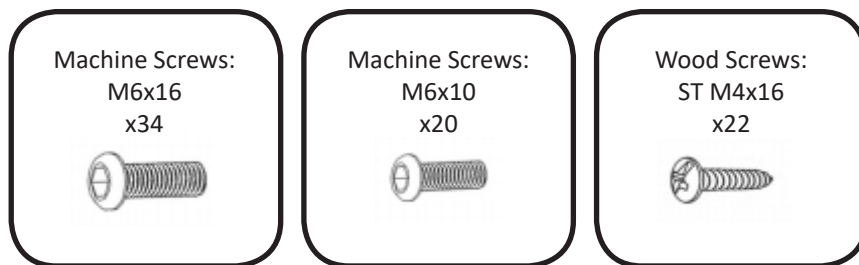
This height adjustable desk has electric motors and is designed for use in dry work areas only. The desk height is adjustable so that it can be positioned at the most ergonomically suitable height. Any other use is at user's risk.

Under no circumstances does the manufacturer accept warranty claims or liability claims for damages caused from improper use or handling of the desk frame.

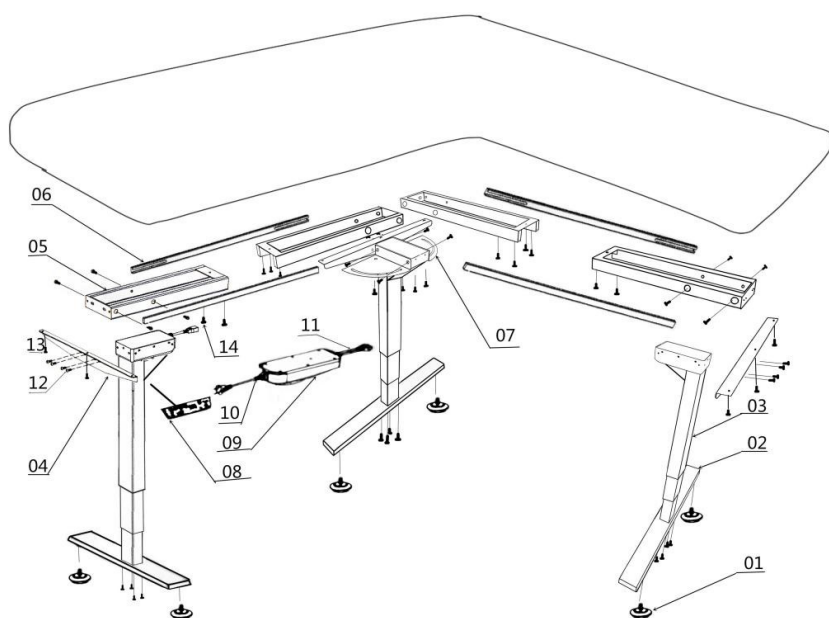
COMPONENTS



HARDWARE



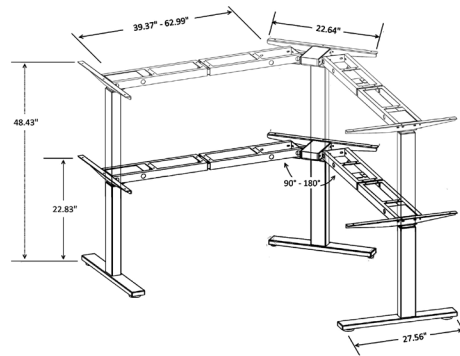
PARTS DIAGRAM



No.	Description	Qty
1	Leveling Glider	6
2	Foot	3
3	Lifting Column	3
4	Side Support	3
5	Crossbar Ends	3
6	Extendable Rod	4
7	Rotation Joint	2
8	Handset	1
9	Control Box	1
10	Power Cord	1
11	1.1m Cable	3
12	Machine Srews M6x16	34
13	Wood Screws ST M4x16	22
14	Machine Screws M6x10	20

SPECIFICATIONS

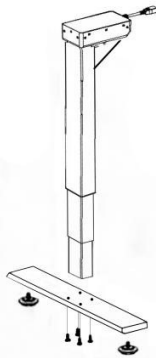
Input	110 Volt AC
Output Power	24 Volt DC
Load Capacity	1500 N
Max. Speed	1.25 inches / sec
Stroke	25 inches
Min. Install Dimension	24 inches
Operational Temperature	32° F - 104° F
Duty Cycle	Max. 10% or 2 min. on and 18 min. off



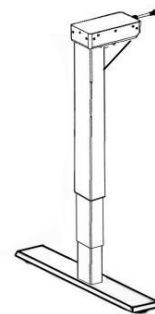
FA-35-TT
FA-35-TT-B

ASSEMBLY INSTRUCTIONS

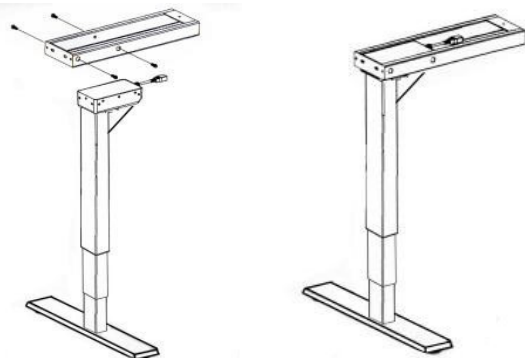
1. Attach the six Levelling Gliders to all three Feet.



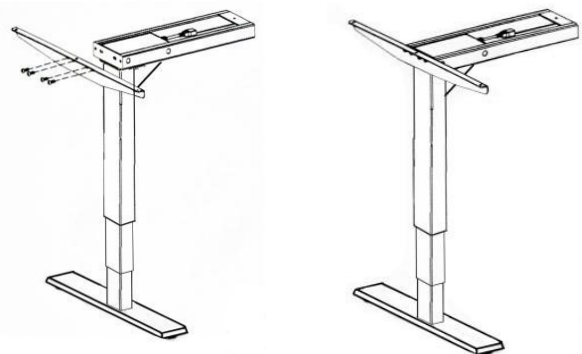
2. Attach the three Feet to the three Lifting Columns using twelve M6 x 16 screws.



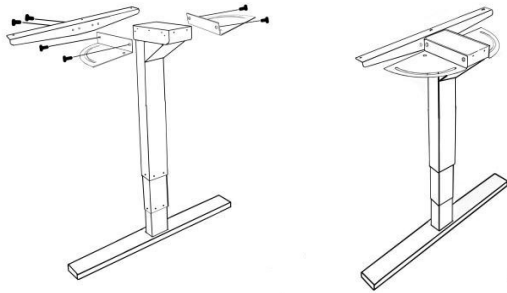
3. Attach **two** of the Crossbar Ends to **two** of the Lifting Columns using eight M6 x 16 screws and the Hex Key Wrench. These will be the left and right legs of the desk.



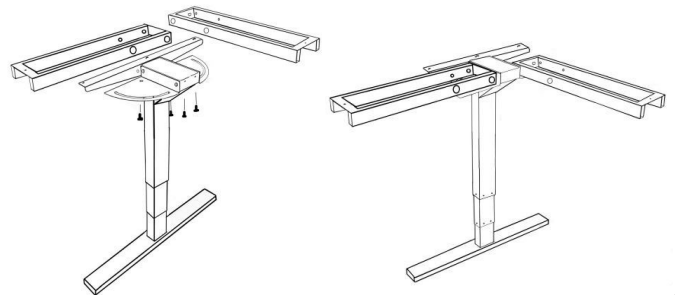
4. Attach **two** of the Side Supports to the left and right Lifting Columns using eight M6 x 16 screws and the Hex Key Wrench.



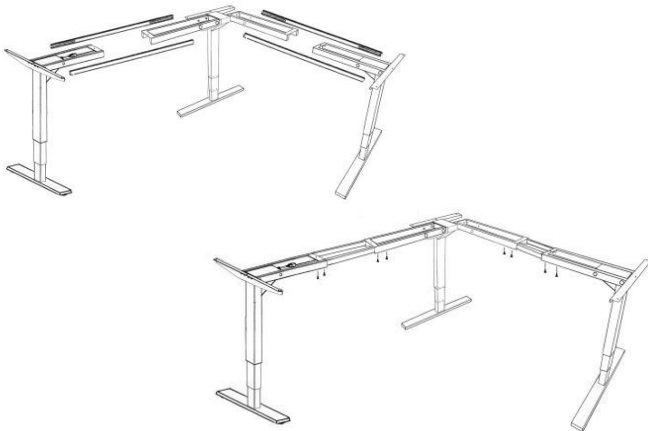
5. Attach the Rotation Joint and the **third** Side Support to the **third** Lifting Column using six M6 x 16 screws and the Hex Key Wrench. This will be the middle leg of the desk.



6. Attach the final two Crossbar Ends to the Rotation Joint using four M6 x 10 screws and the Hex Key Wrench.

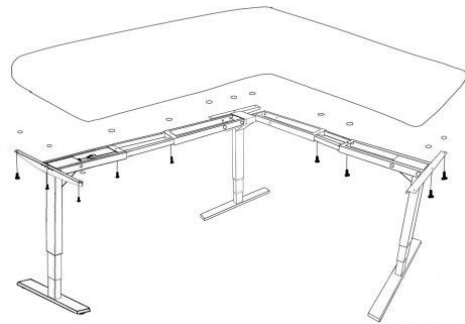


7. Insert the Extendable Rods into the Crossbar Ends and adjust them to the size of your desktop. Secure the frame at the correct size using 16 M6 x 16 screws and the Hex Key Wrench.



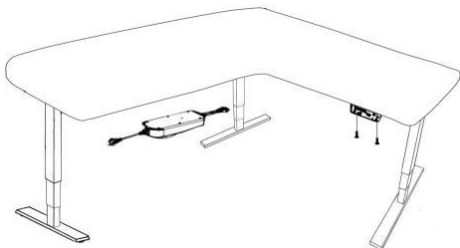
i It is recommended to have at least a 1/2" of desktop protruding beyond the frame. *i*

8. Your desktop may or may not be pre-drilled. Check both sides before placing the desktop on the base. Attach the desktop to the base using 15 ST M4 x 16 wood screws and a Phillips Head screwdriver or a power drill.

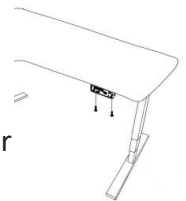


! Double-check that the wood screws are not too long for the thickness of the desktop and won't puncture the surface when screwed all the way in. **!**

9. Slide the Control Box onto the desk frame using the slots on the box and frame.

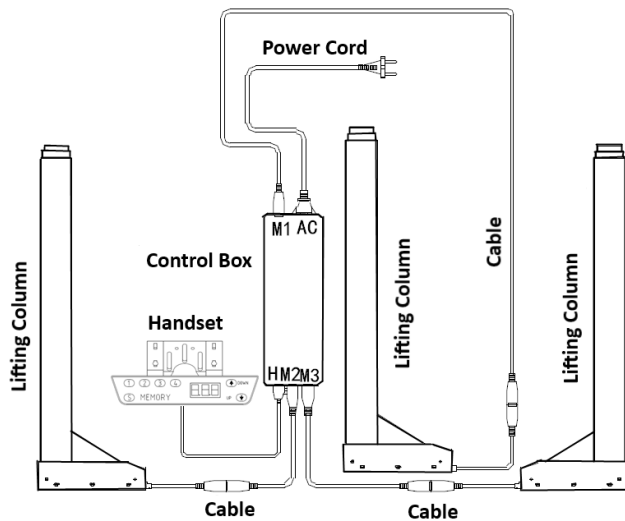


10. Attach the Handset so the front edge is flush with the front desktop edge (or recessed up to 1/8"). Use two M4 x 16 wood screws and a Phillips Head screwdriver or a power drill.



i It is recommended to place the Handset at one edge of the desk so it does not interfere with the chair when you are seated. *i*

11. Connect the Control Box, Handset, Power Cord, and Cables. Use the Cable Ties to secure the cables so they don't sag.



12. Plug the Power Cord into a 110V outlet.



Make sure no obstacles are in the desk's path.
Make sure the desktop is not touching any walls.
Make sure all cords are the correct length to accommodate the change in height.



The Handset will display **AS1**

IMPORTANT: You must **RESET** the desk prior to use.

14. To move the desk up, press and hold the **UP** button. Release the **UP** button to stop. To move the desk down, press and hold the **DOWN** button. Release the **DOWN** button to stop.

13. RESET PROCEDURE:

Push and hold the **DOWN** button on the Handset until the desk reaches its lowest height, slightly rises, and stops. Release the **DOWN** button. The desk is now ready to use.

15. To program up to three preset heights: press and hold the **UP/DOWN** button to your desired height, then press "S" followed by a number (1-3).

CAUTION: Once a preset button is pushed, the desk will move to the programmed height. To stop the desk, press the **UP/DOWN** button.

TROUBLE SHOOTING

1. If the lifting columns are at different heights you need to reset the desk lift. Follow the procedure outlined in step 13.

2. If the error message **EA1 EA2 EA3** is displayed, confirm that all wired connections are secure (legs to cables, cables to control box). Then perform the reset procedure outlined in step 13.

3. If the Handset displays **hot** the Control Box's temperature is above 75 and needs to cool. Leave the desk for 20 minutes, or if urgent unplug the power cord, wait 10 seconds then plug the power cord in again.

4. If a lifting column has been loaded with >90kg, the overload protection error message will show **EA7**. Reduce the load and after 30 seconds it will recover. If not, reset the desk.