

# One Leg Sit-Stand Desk

Firgelli Automations single leg electric height adjustable desk frame converts from sitting to standing at the push of a button. An electric linear actuator in the three stage telescoping leg provides a height range of 18". Manufactured from steel, the frame is durable and stable at any height. Safety is ensured with the collision avoidance system which automatically stops the desk if a collision is sensed. The compact design is perfect for those working in small spaces such as an office cubicle. You can also add our programable handset which allows three different heights to be stored.



## Standard Features and Benefits

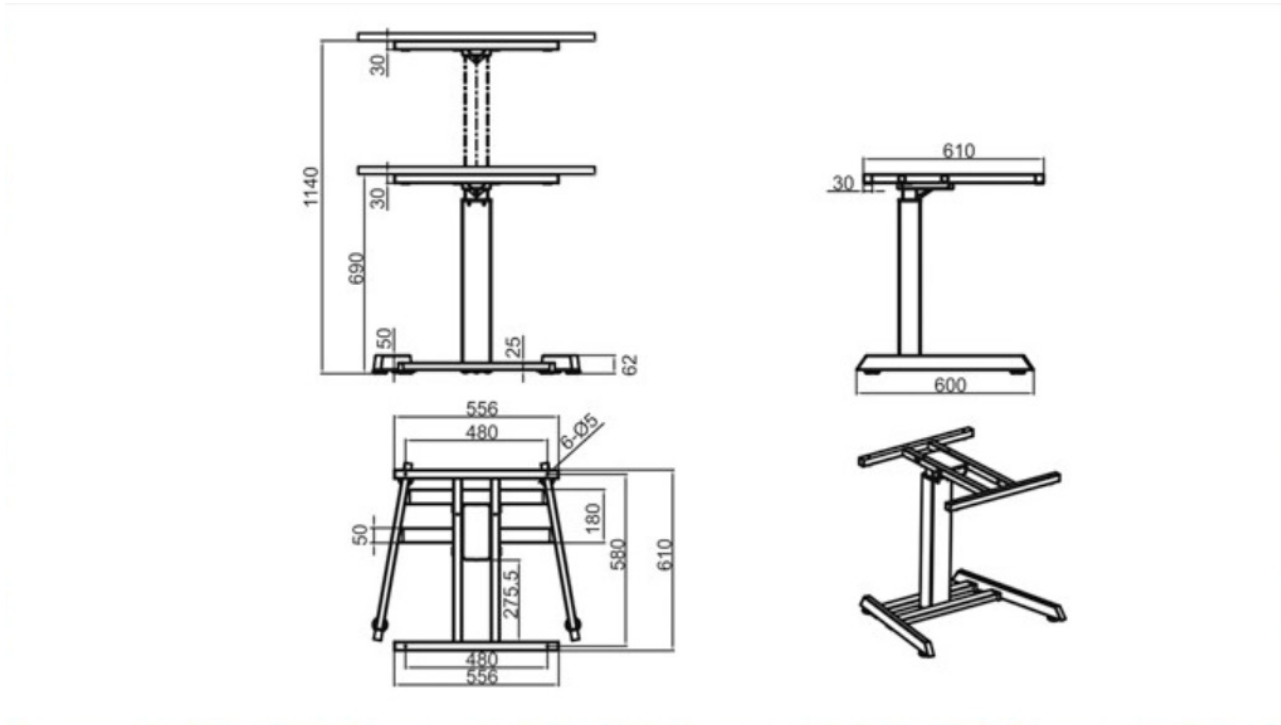
- Three stage telescoping leg provides height range of 18"
- Compact design is perfect for confined footprint such as an office cubicle
- High-powered DC motor ensures smooth and quick height adjustment while maintaining heavy lifting ability
- Steel frame guarantees a stable work station even when fully extended
- Optional deluxe programable handset allows user to store three heights and change between them at the push of a button
- Collision avoidance system safeguards against accidents and injuries by automatically stopping desk frame when a collision is detected
- Weight capacity of 165 lbs
- Desk frame is 24" deep and 21 ½" wide
- Speed 0.8" per second at no load



**Safety Collision Avoidance System**  
Safeguards and avoid injuries.



<b>Model</b>	<b>FA-35-TA</b>
<b>Input Power</b>	110 V
<b>Output Power</b>	24V
<b>Speed (inches/second)</b>	0.8 inches per second
<b>Weight Capacity</b>	165 lbs
<b>Duty Cycle</b>	10% maximum. 2 min. on 18 min. off
<b>Height Range</b>	26 ½" - 44 ½"
<b>Frame Width</b>	21 ½"
<b>Frame Colors</b>	Black
<b>Operational Temperature</b>	32°F to 104°F (0°C to 40°C)



## HEIGHT-ADJUSTABLE TABLE POSTURE

