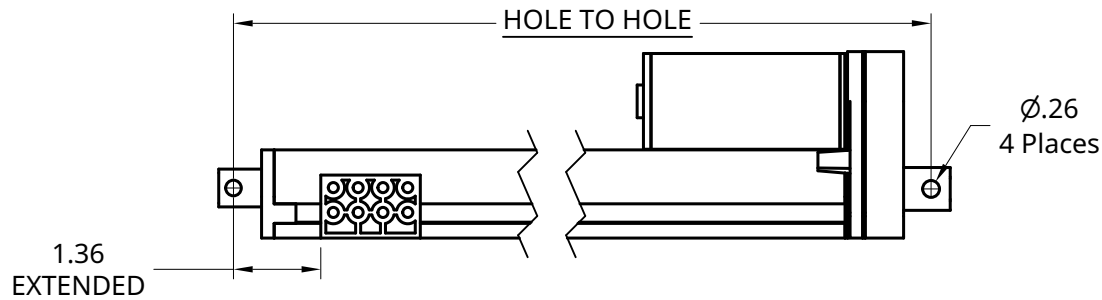
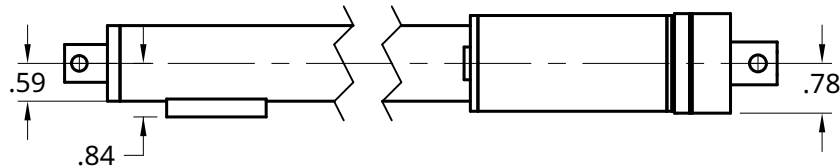
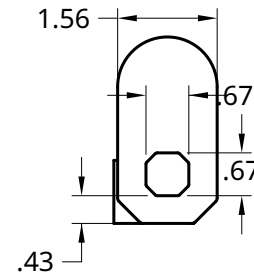
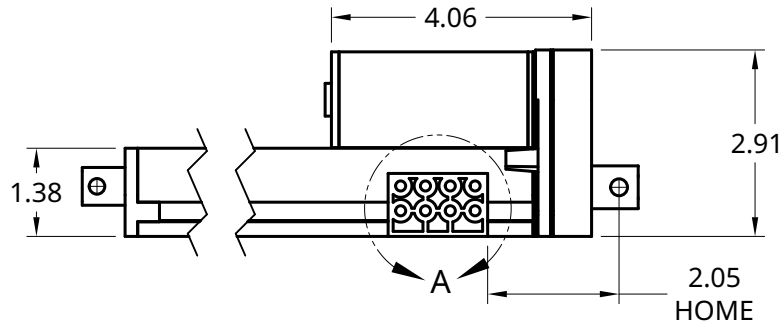
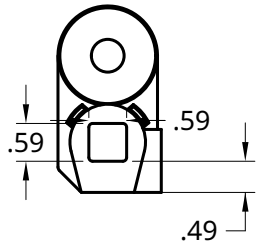
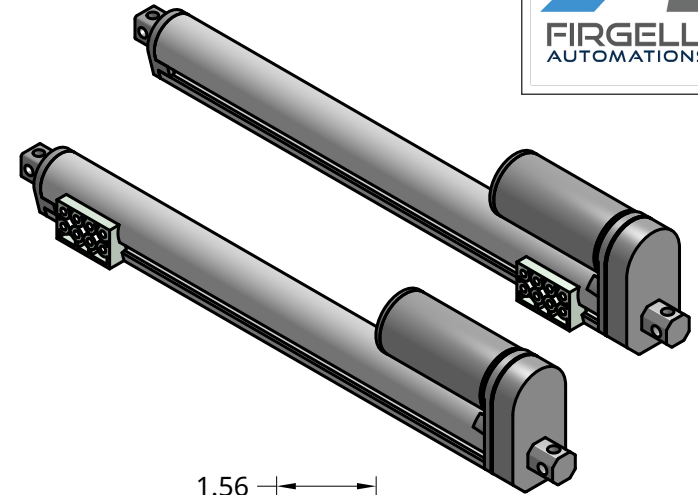
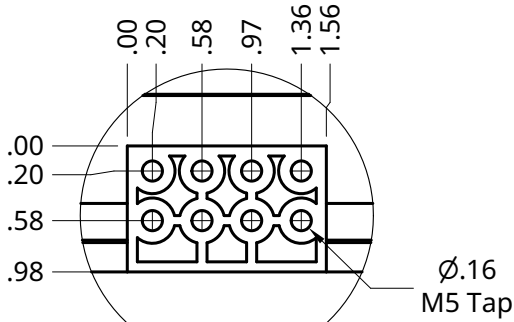


PART NUMBER
FA-TR-35-12-XX

DESCRIPTION
MINI TRACK LINEAR ACTUATOR



Stroke (XX)	Hole to Hole
5"	10.17
10"	15.17
15"	20.17
20"	25.17
25"	30.17