

# Heavy Duty Rod Linear Actuator - IP66



## Standard Features and Benefits

- **Internal limit switches** automatically shut off the unit at the end of stroke
- **Standard stroke lengths** of 10, 20, 30, 40, 50, and 60 inches are available
- Delivers up to **200 lbs. of force** at an extension speed of .75 inches per second
- **IP66 rated** - dust and water resistant
- **Temperature operating range** of -15°F to 150°F (-26°C to 65°C)
- **High grade aluminum housing** resists corrosion
- **Maintenance free**
- **CE and RoHS certified**

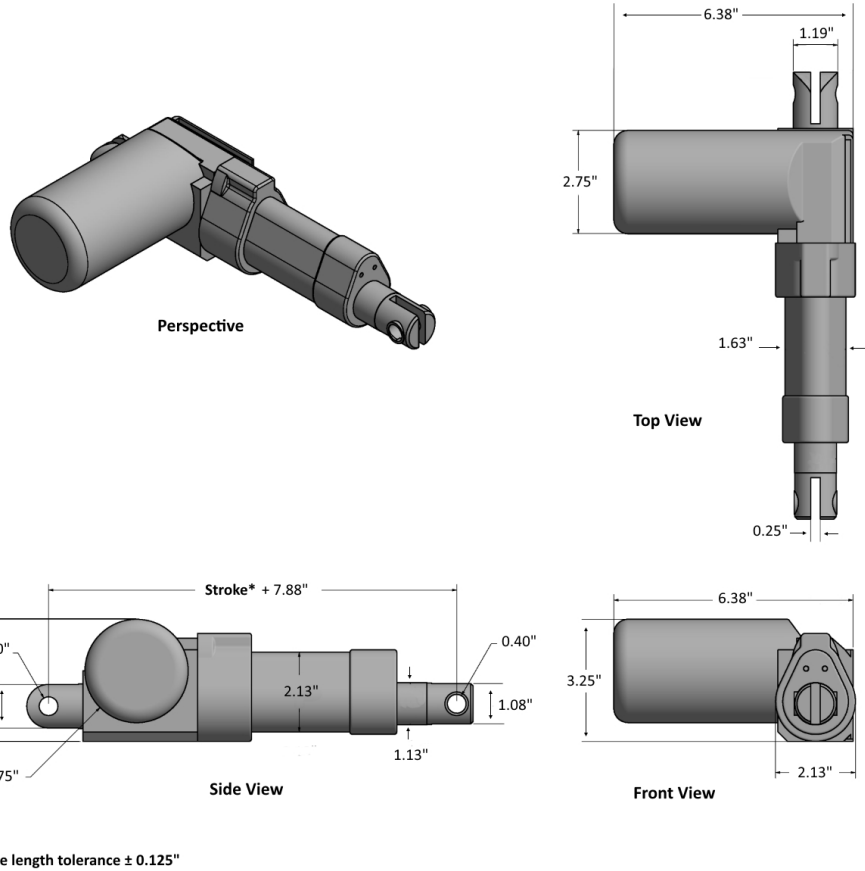
The water and dust resistant model of our Heavy Duty Rod Actuator is perfect for outdoor applications. Available in strokes up to 60" long and with 200 lb. of force, this rugged and powerful actuator provides reliable performance for a variety of applications.

## Specifications

<b>Model</b>	<b>FA-200-IP66-12-XX</b>
<b>Dynamic Force</b>	200 lb
<b>Static Force</b>	300 lb
<b>Speed (inches/second)</b>	0.75 inches
<b>Duty Cycle</b>	20% at 100% load, 50% at 25% load, 5 min. max continuous use
<b>Stroke Length</b>	10, 20, 30, 40, 50, and 60 inches
<b>IP Rating</b>	66
<b>Input</b>	12 volt DC
<b>Max Draw</b>	5 A
<b>Clevis End</b>	1/4" diameter
<b>Operational Temperature</b>	-15°F to 150°F (-26°C to 65°C)
<b>Limit Switch</b>	Built-in (factory preset)
<b>Safety Certifications</b>	CE, RoHS
<b>Brackets</b>	MB3 or MB3U

## Dimensions and Weight

Stroke	Retracted Length	Extended Length	Weight
10 "	17.88 "	27.88 "	7.4 lbs
20 "	27.88 "	47.88 "	8.2 lbs
30 "	37.88 "	67.88 "	9.0 lbs
40 "	47.88 "	87.88 "	9.8 lbs
50 "	57.88 "	108.88 "	10.6 lbs
60 "	67.88 "	127.88 "	11.4 lbs



## FA-200-IP66-12-X

## Performance Graphs

